



US00D811168S

(12) **United States Design Patent** (10) **Patent No.:** **US D811,168 S**  
**Tu** (45) **Date of Patent:** **\*\* Feb. 27, 2018**

(54) **BLENDER ATTACHMENT**

FOREIGN PATENT DOCUMENTS

(71) Applicant: **SharkNinja Operating LLC**, Newton, MA (US)

EP 1586259 A1 10/2005  
EP 2368470 A1 9/2011  
WO 2005013787 A1 2/2005

(72) Inventor: **Joyce Chien Tu**, Arlington, MA (US)

OTHER PUBLICATIONS

(73) Assignee: **SHARKNINJA OPERATING LLC**, Newton, MA (US)

Application for Registration of an Industrial Design Examiner's Report; Canadian Application No. 165376; dated Feb. 18, 2016; 3 Pages.

(\*\*) Term: **15 Years**

(Continued)

(21) Appl. No.: **29/601,246**

*Primary Examiner* — Ricky Pham

(22) Filed: **Apr. 20, 2017**

(74) *Attorney, Agent, or Firm* — Cantor Colburn LLP

**Related U.S. Application Data**

(62) Division of application No. 29/528,395, filed on May 28, 2015, now Pat. No. Des. 787,883.

(51) **LOC (11) Cl.** ..... **31-00**

(52) **U.S. Cl.**  
USPC ..... **D7/413**; D7/376; D7/378; D7/412

(58) **Field of Classification Search**  
USPC ..... D7/358, 372, 376-386, 412-413, 602, D7/607, 629, 665-666, 669, 679, D7/693-694; D19/73  
CPC .... A21C 1/02; A21C 1/04; A23N 1/00; A23N 1/02; A47J 43/04; A47J 43/25; A47J 43/27; A47J 43/042; A47J 43/044; A47J 43/046; A47J 43/075; A47J 43/0722; A47J 43/0727; B01F 3/00; B01F 3/0807; B01F 3/0853; B01F 13/0059; B01F 13/0064; B02C 1/08; B02C 2/04; B02C 4/42; B02C 4/142; B02C 4/143; B02C 4/423; B02C 13/1835; B28C 5/10; B28C 5/12; B28C 5/14; B28C 5/16

See application file for complete search history.

(56) **References Cited**

U.S. PATENT DOCUMENTS

D241,404 S \* 9/1976 Mantelet ..... D7/384  
4,081,144 A 3/1978 Bouillet

(Continued)

(57) **CLAIM**

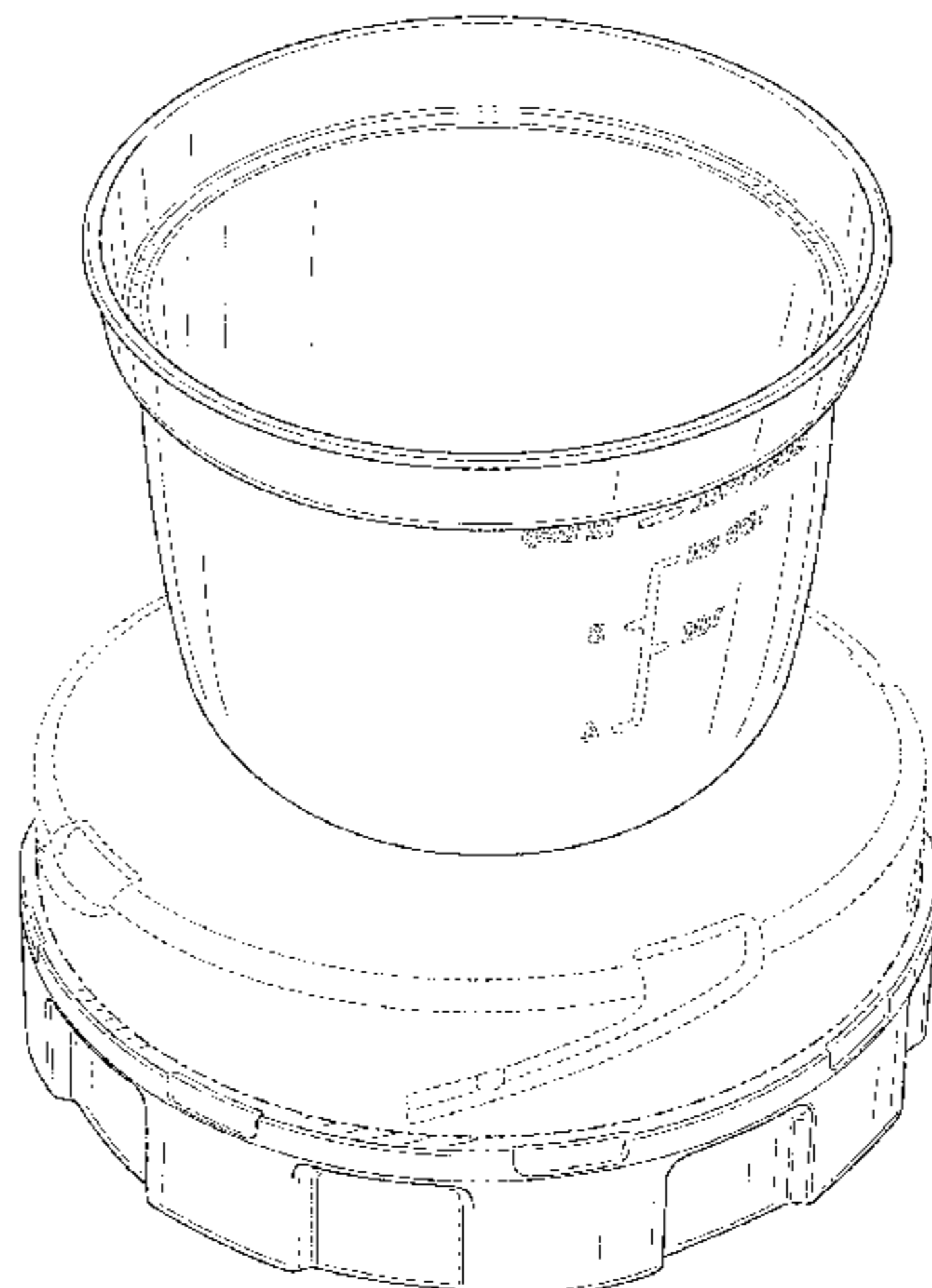
The ornamental design for blender attachment, as shown and described.

**DESCRIPTION**

FIG. 1 is a perspective view of the blender attachment, showing our new design first embodiment;  
FIG. 2 is a front view of the embodiment shown in FIG. 1;  
FIG. 3 is a side view of the embodiment shown in FIG. 1;  
FIG. 4 is rear view of the embodiment shown in FIG. 1;  
FIG. 5 is another side view of the embodiment shown in FIG. 1;  
FIG. 6 is a top view of the embodiment shown in FIG. 1;  
and,  
FIG. 7 is a bottom view of the embodiment shown in FIG. 1.

The broken lines in the figures are for environmental purposes only and form no part of the claimed design.  
The dash dot line form no part of the claimed design, but is instead intended to delimit claimed subject matter from unclaimed subject matter.

**1 Claim, 7 Drawing Sheets**



(56)

References Cited

U.S. PATENT DOCUMENTS

D301,824	S	6/1989	Machuron	
D318,398	S *	7/1991	Disco .....	D7/378
D343,987	S	2/1994	Rotte	
D404,606	S *	1/1999	Huang .....	D7/378
D406,154	S	2/1999	Copland et al.	
D410,816	S	6/1999	Crescenzi et al.	
D426,423	S	6/2000	Lee	
D428,301	S	7/2000	Huang	
6,609,821	B2	8/2003	Wulf et al.	
D494,192	S	8/2004	Hirakawa et al.	
D507,578	S	7/2005	Hirakawa et al.	
7,044,051	B2	5/2006	Le Rouzic	
7,063,009	B2	6/2006	Lin	
7,066,640	B2	6/2006	Sands	
D545,126	S	6/2007	White	
7,249,879	B2	7/2007	Nabils	
7,278,779	B2	10/2007	Beesley et al.	
7,318,666	B1	1/2008	Lin	
D580,986	S *	11/2008	Farnworth .....	D19/73
7,520,659	B2	4/2009	Wulf et al.	
7,632,007	B2	12/2009	Wulf et al.	
7,717,613	B1	5/2010	Epps	
7,993,054	B2	8/2011	Wulf et al.	
D649,834	S *	12/2011	Sands .....	D7/376
8,087,603	B2	1/2012	Kolar et al.	
D655,981	S	3/2012	Gursel et al.	
8,387,520	B2	3/2013	Backus	
8,469,586	B2	6/2013	Schleinker	
D692,275	S	10/2013	Audette	
D696,063	S	12/2013	Coakley et al.	
8,834,015	B2	9/2014	White et al.	
D730,681	S	6/2015	Smith et al.	
D731,850	S	6/2015	Smith	
9,084,508	B2	7/2015	Sandford et al.	
D741,119	S *	10/2015	Wong .....	D7/665
D743,202	S *	11/2015	Sands .....	D7/354
D760,331	S	6/2016	Gilchrist et al.	
D767,327	S *	9/2016	McConnell .....	D7/376
D783,353	S *	4/2017	Smith .....	D7/376
D786,614	S *	5/2017	Smith .....	D7/376
D787,883	S *	5/2017	Tu .....	D7/376
2016/0345779	A1	12/2016	Tu	
2017/0208998	A1	7/2017	Dickson, Jr. et al.	

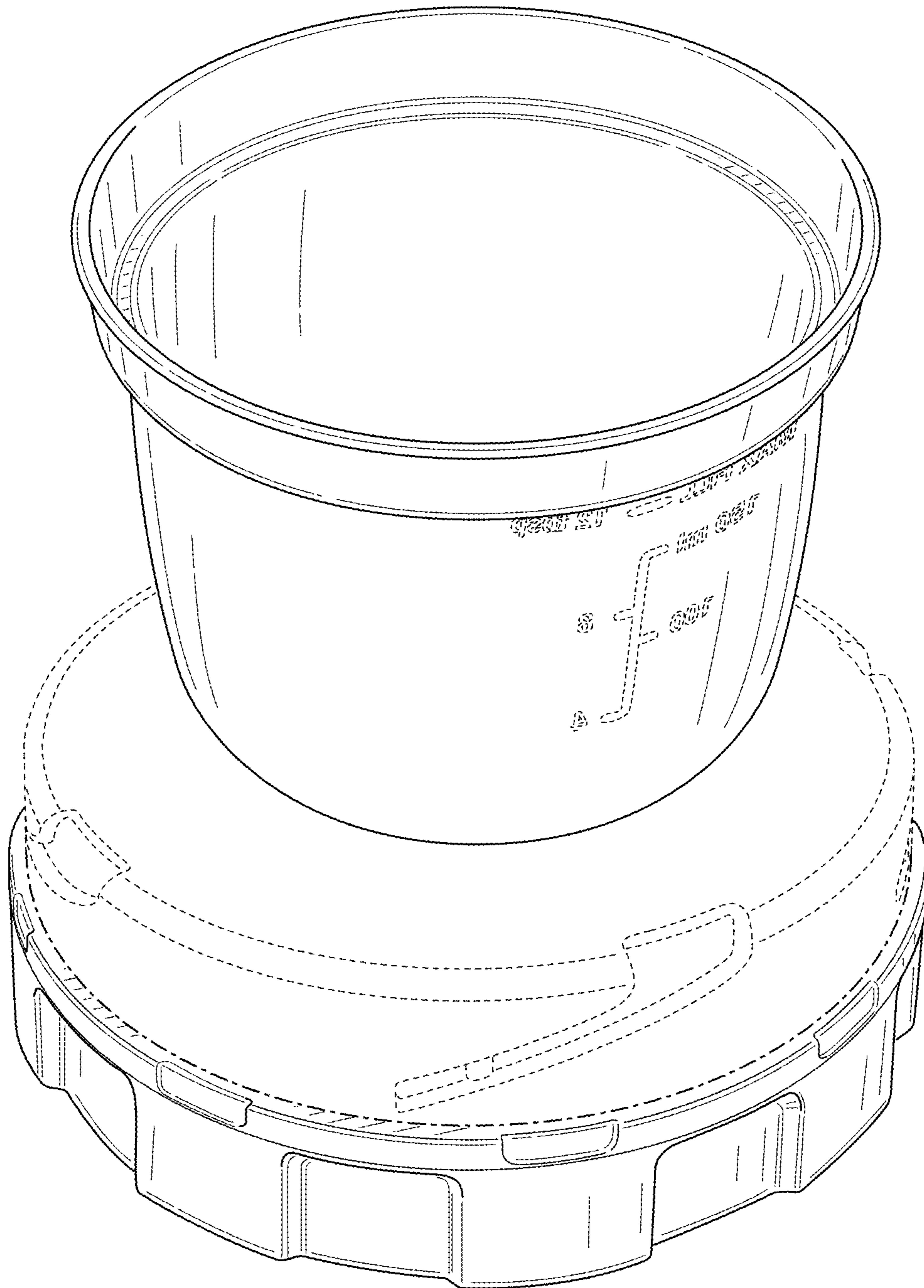
OTHER PUBLICATIONS

International Search Report; International Application No. PCT/US2016/034555; International Filing Date: May 27, 2016; dated Aug. 17, 2016; 7 Pages.  
 JPO Publicly Known Design No. HA24003661—Croissant, No. 11, vol. 36, May 25, 2012, 3 Pages.  
 JPo Publicly Known Design No. HJ22059623—Cuisinart SG-10 Electric Spice-and-Nut Grinder (Certified Refurbished), amazon.com, Date Printed: Nov. 14, 2016, 1 Page.

Notice of Allowance; Japanese Application No. 2015-026735; dated Mar. 4, 2016; 2 Pages.  
 Notice of Allowance; Japanese Application No. 2015-026737; dated Mar. 4, 2016; 2 Pages.  
 Notice of Allowance; Japanese Application No. 2015-026738; dated Mar. 4, 2016; 2 Pages.  
 Notice of Allowance; U.S. Appl. No. 29/528,395, filed May 28, 2015; Blender Attachment; dated Nov. 23, 2016; 7 Pages.  
 Notice of Allowance; U.S. Appl. No. 29/528,395, filed May 28, 2015; Blender Attachment; dated Jan. 20, 2017; 12 Pages.  
 Notice of Completion of Formalities for Patent Register; Chinese Application No. 2015304854707; dated Mar. 23, 2016; 4 Pages.  
 Notice of Completion of Formalities for Patent Register; Chinese Application No. 2015304861132; dated Mar. 18, 2016; 3 Pages.  
 Notice of Decision for Design Registration; Korean Application No. 30-2015-0059376\_M001; dated Jun. 29, 2016; 6 Pages.  
 Notice of Decision Design Registration; Korean Application No. 30-2015-0059376\_M002; dated Jun. 29, 2016; 6 Pages.  
 Notice of Decision for Design Registration; Korean Application No. 30-2015-0059376\_M003; dated Jun. 29, 2016; 6 Pages.  
 Notice of Decision for Design Registration; Korean Application No. 30-2015-0059376\_M004; dated Jun. 29, 2016; 6 Pages.  
 Notice of References; Japanese Application No. 2015-026735; dated Mar. 4, 2016; 2 Pages.  
 Notice of References; Japanese Application No. 2015-026738; dated Mar. 4, 2016; 2 Pages.  
 Notification of Reasons for Rejection; Japanese Application No. 2015-026736; dated Mar. 4, 2016; 4 Pages.  
 Office Action; Korean Application No. 30-2015-0059376\_M001; dated Mar. 23, 2016; 4 Pages.  
 Office Action; Korean Application No. 30-2015-0059376\_M002; dated Mar. 23, 2016; 5 Pages.  
 Office Action; Korean Application No. 30-2015-0059376\_M003; dated Mar. 23, 2016; 5 Pages.  
 Office Action; Korean Application No. 30-2015-0059376\_M004; dated Mar. 23, 2016; 5 Pages.  
 Optima—Blenders; URL Accessed: <http://optimahome.net/appliances/>; Date Accessed: May 26, 2016; 1 Page.  
 Requirement for Restriction/Election; U.S. Appl. No. 29/528,395, filed May 28, 2015; Blender Attachment; dated Sep. 13, 2016; 7 Pages.  
 Written Opinion of the International Searching Authority; International Application No. PCT/US2016/034555; International Filing Date: May 27, 2016; dated Aug. 17, 2016; 6 Pages.  
 Final Office Action; U.S. Appl. No. 14/724,356, filed May 28, 2015; Grinder Attachment for Blender System; dated Aug. 18, 2017; 13 Pages.  
 Non-Final Office Action; U.S. Appl. No. 14/724,356, filed May 28, 2015; Grinder Attachment for Blender System; dated Apr. 18, 2017; 17 Pages.

\* cited by examiner





**FIG. 1**

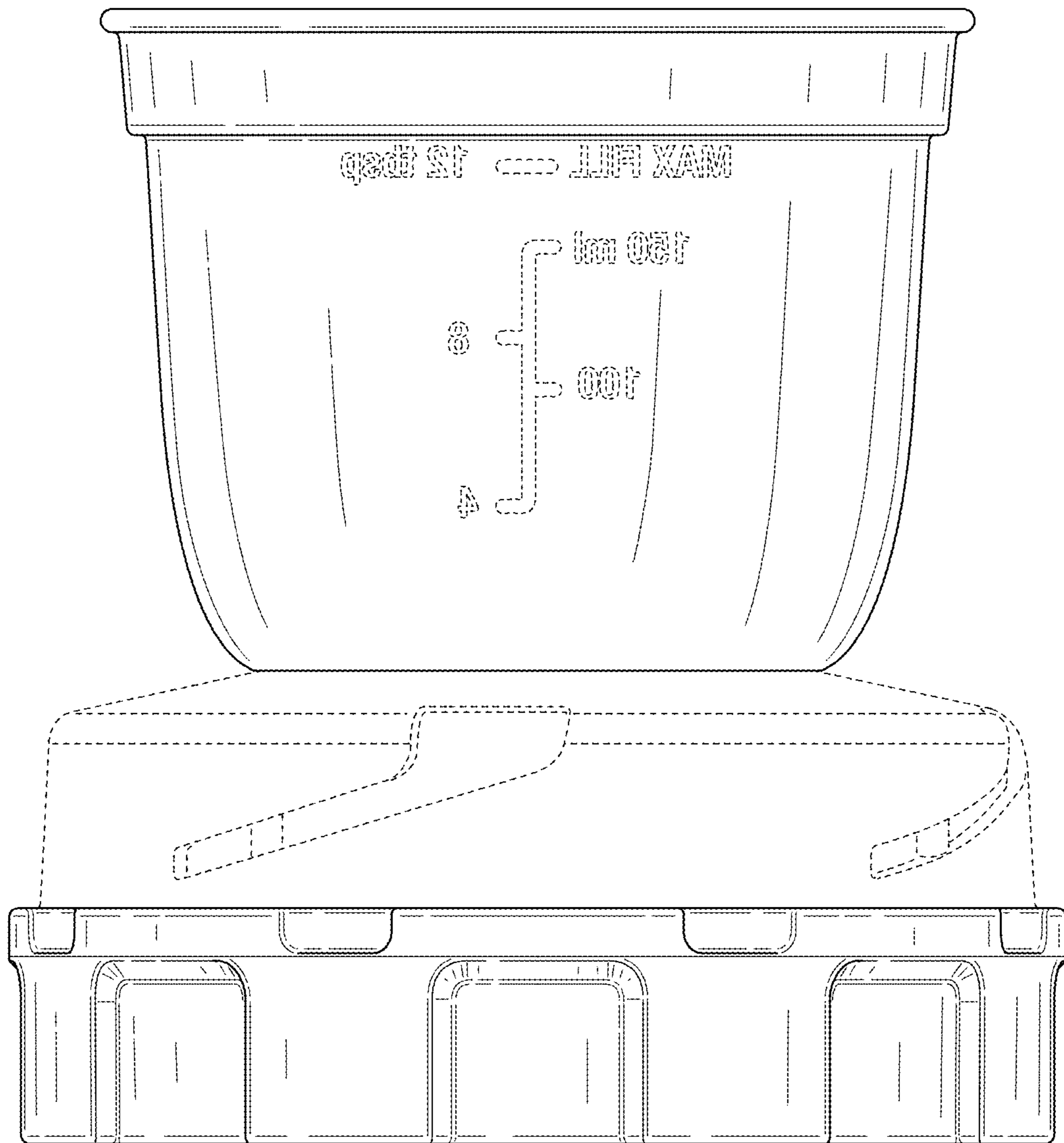


FIG. 2

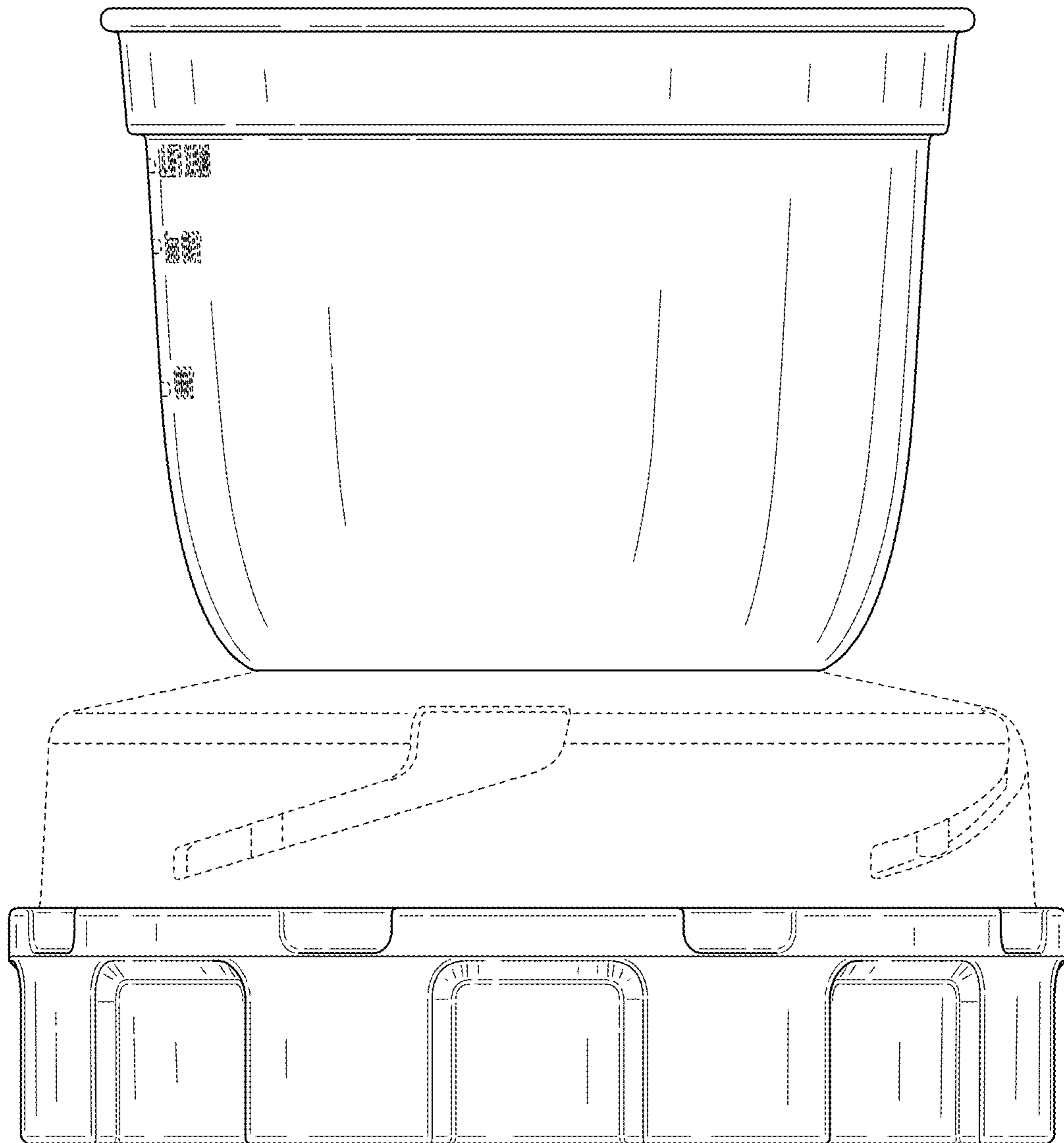


FIG. 3

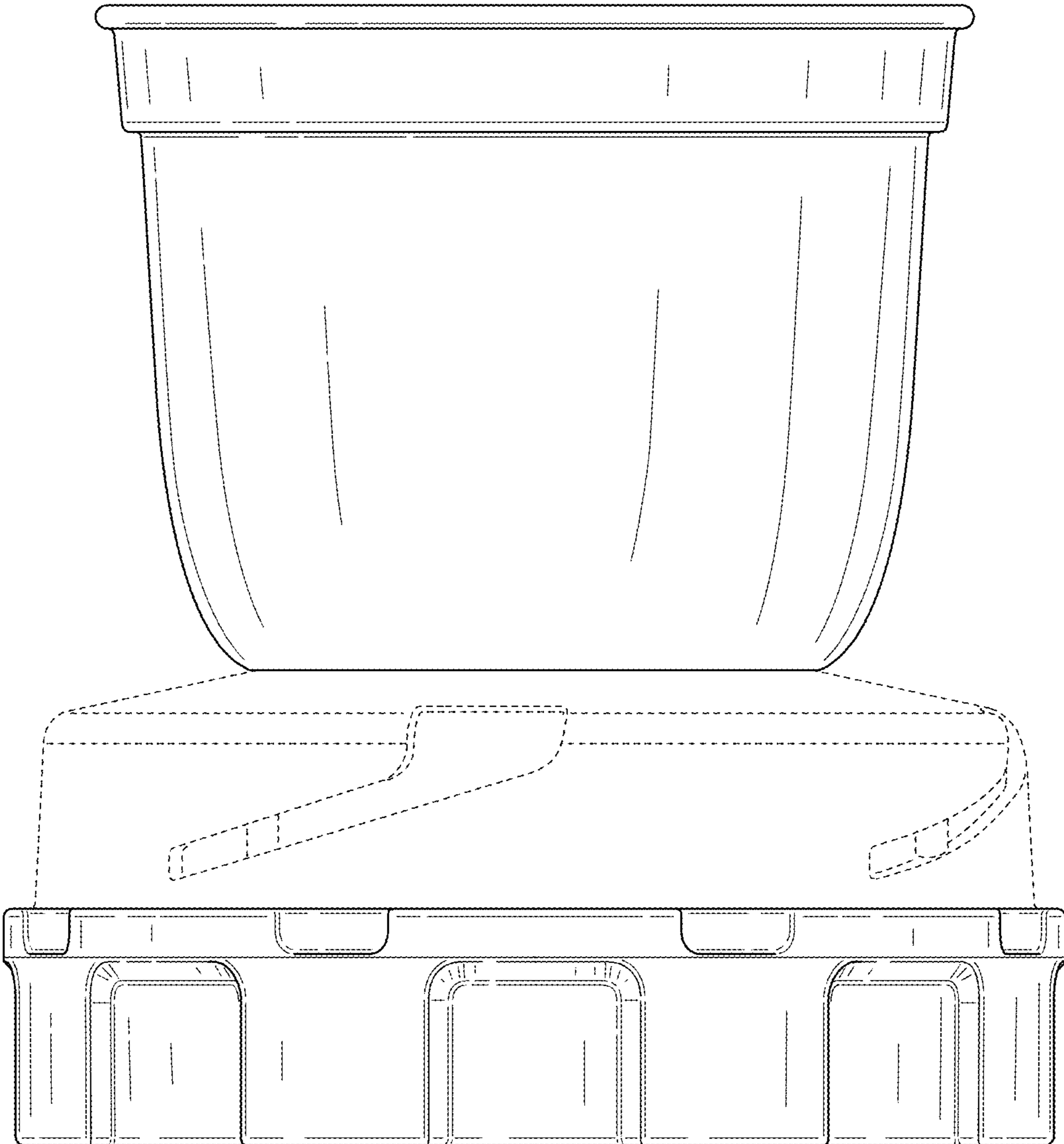


FIG. 4

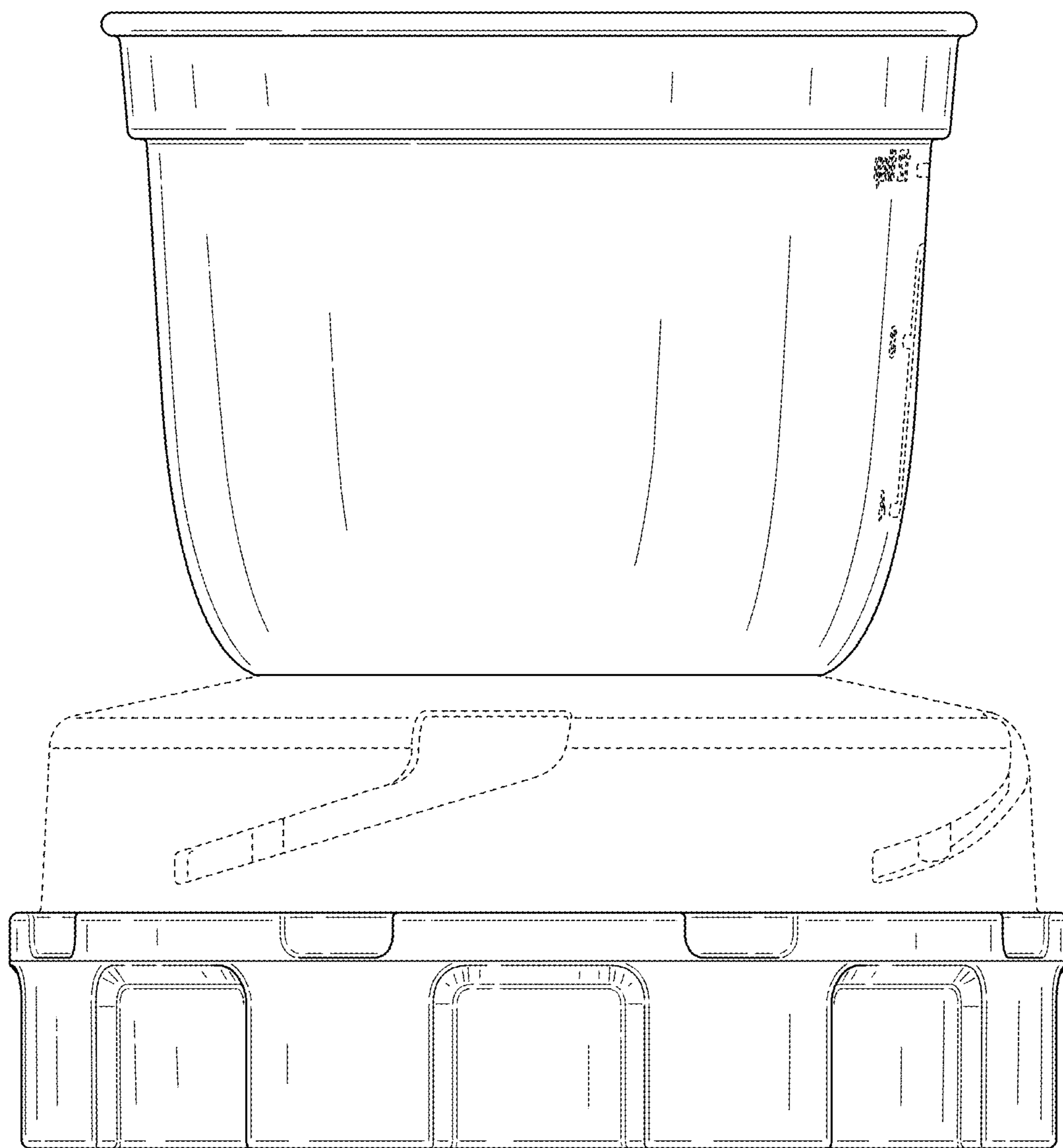


FIG. 5



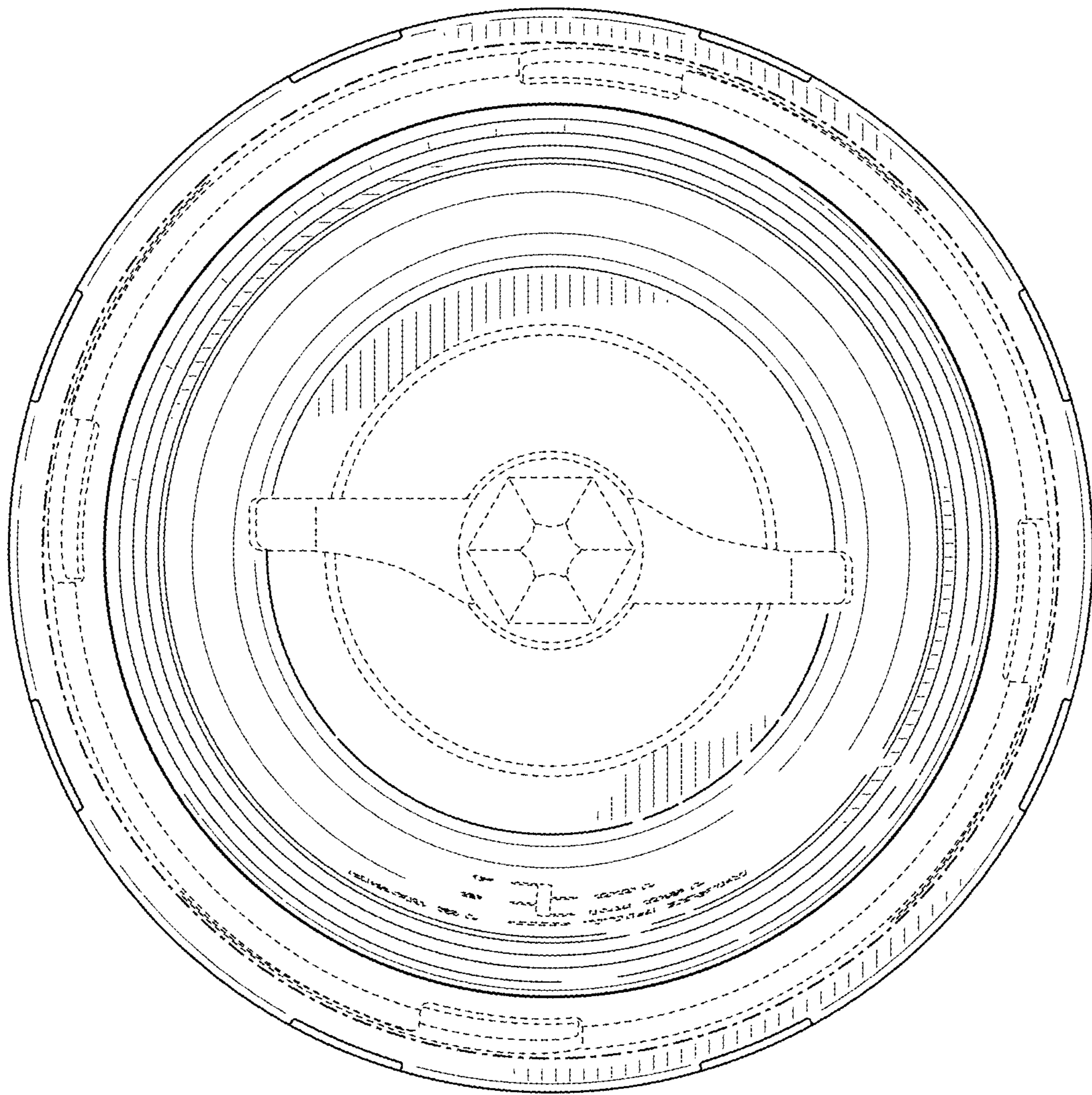


FIG. 6



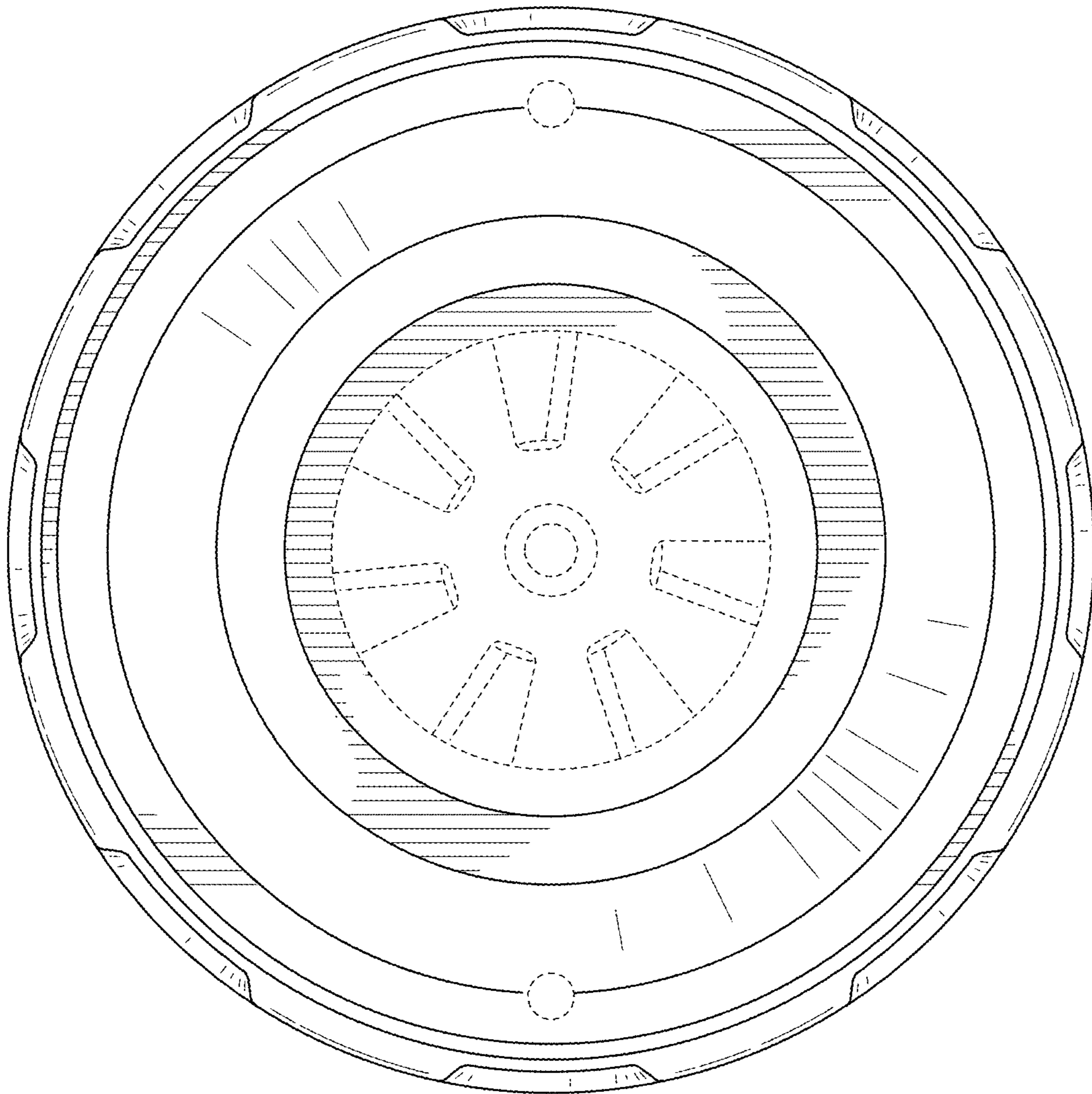


FIG. 7