



US00D811167S

(12) **United States Design Patent** (10) **Patent No.:** **US D811,167 S**  
**Smith** (45) **Date of Patent:** **\*\* Feb. 27, 2018**

(54) **BLENDER CONTAINER**  
(71) Applicant: **SharkNinja Operating LLC**, Newton, MA (US)  
(72) Inventor: **Cory R. Smith**, Auburndale, MA (US)  
(73) Assignee: **SHARKNINJA OPERATING LLC**, Newton, MA (US)  
(\*\*) Term: **15 Years**  
(21) Appl. No.: **29/595,033**  
(22) Filed: **Feb. 24, 2017**

D480,915 S 10/2003 Kolar et al.  
D528,363 S 9/2006 Ulanski et al.  
D530,565 S \* 10/2006 Grcic ..... D7/378  
D538,595 S \* 3/2007 White ..... D7/413  
D578,340 S 10/2008 Picozza et al.  
D621,656 S 8/2010 Ulanski et al.  
D642,858 S \* 8/2011 Lazzer ..... D7/376  
D647,367 S 10/2011 Audette et al.  
D647,368 S 10/2011 Audette et al.  
D661,947 S 6/2012 Conti et al.  
D662,359 S 6/2012 Boozer et al.  
D678,726 S 3/2013 Palermo et al.

(Continued)

**FOREIGN PATENT DOCUMENTS**

KR 300345055 S 2/2004  
KR 300422169 S 8/2006

**Related U.S. Application Data**

(62) Division of application No. 29/527,748, filed on May 21, 2015, now Pat. No. Des. 783,354.  
(51) **LOC (11) Cl.** ..... **31-00**  
(52) **U.S. Cl.**  
USPC ..... **D7/413; D7/376; D7/378; D7/412**  
(58) **Field of Classification Search**  
USPC ..... D7/372, 376-386, 412-413, 602, 607, D7/629, 665-666, 669, 679, 693-694  
CPC .... A21C 1/02; A21C 1/04; A23N 1/00; A23N 1/02; A47J 43/04; A47J 43/25; A47J 43/27; A47J 43/042; A47J 43/044; A47J 43/046; A47J 43/075; A47J 43/0722; A47J 43/0727; B01F 3/00; B01F 3/0807; B01F 3/0853; B01F 13/0059; B01F 13/0064; B02C 1/08; B02C 2/04; B02C 4/42; B02C 4/142; B02C 4/143; B02C 4/423; B02C 13/1835; B28C 5/10; B28C 5/12; B28C 5/14; B28C 5/16  
See application file for complete search history.

**OTHER PUBLICATIONS**

Application for Registration of an Industrial Design Examiner's Report; Canadian Application No. 164966; Issue Date: Jan. 14, 2016; 4 Pages.

(Continued)

*Primary Examiner* — Ricky Pham  
(74) *Attorney, Agent, or Firm* — Cantor Colburn LLP

(57) **CLAIM**

The ornamental design for a blender container, as shown and described.

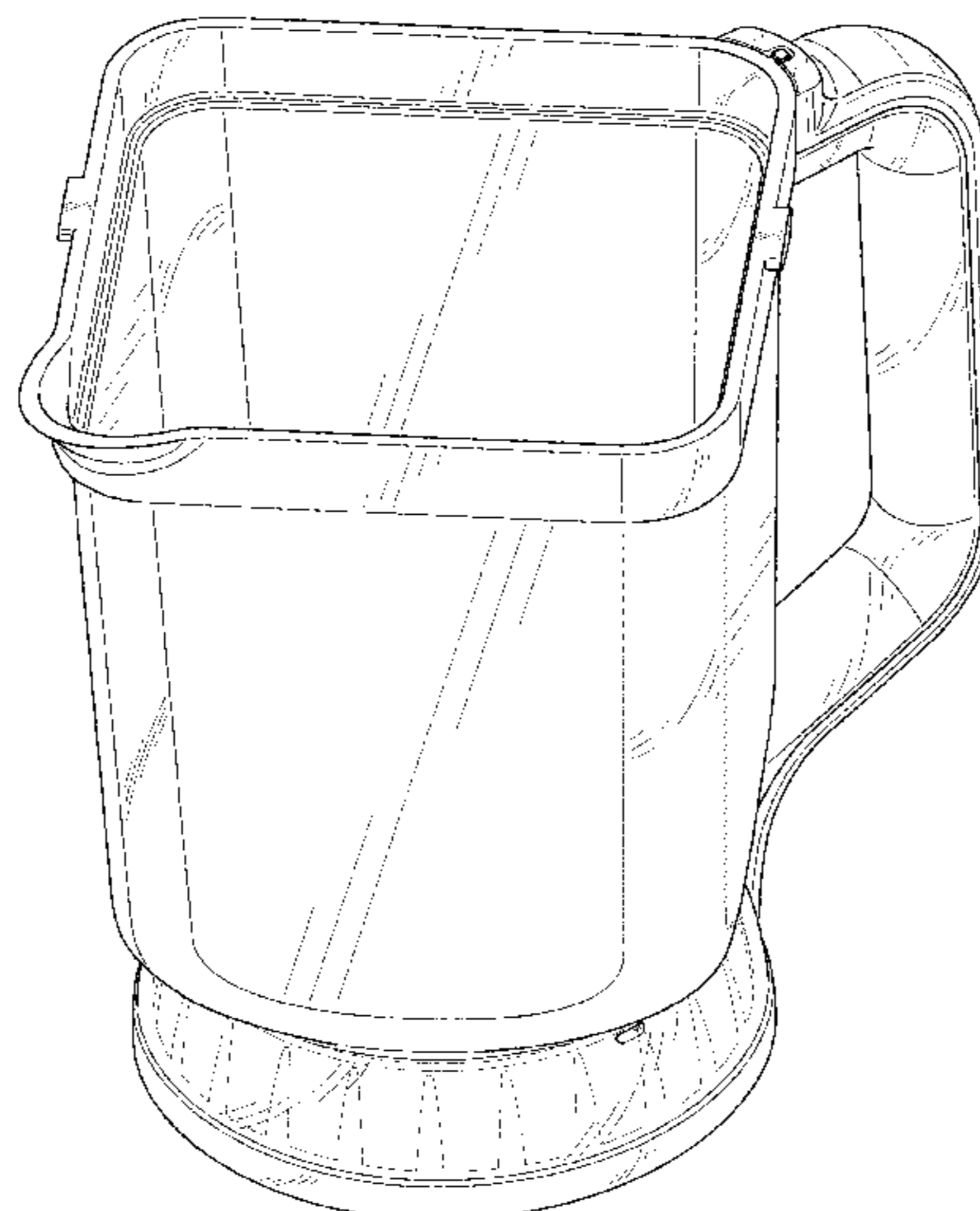
**DESCRIPTION**

FIG. 1 is a perspective view of an embodiment of the blender container;  
FIG. 2 is a front elevational view thereof;  
FIG. 3 is a rear elevational view thereof;  
FIG. 4 is a left side elevational view thereof;  
FIG. 5 is a right side elevational view thereof;  
FIG. 6 is a top plan view thereof; and,  
FIG. 7 is a bottom plan view thereof.

**1 Claim, 7 Drawing Sheets**

(56) **References Cited**  
U.S. PATENT DOCUMENTS

D424,371 S \* 5/2000 Delmonte ..... D6/610  
D445,644 S \* 7/2001 Littmann ..... D7/412



(56)

References Cited

U.S. PATENT DOCUMENTS

D702,999 S \* 4/2014 Audette ..... D7/376  
 D705,606 S 5/2014 Coakley et al.  
 8,834,015 B2 \* 9/2014 White ..... A47J 43/046  
 241/282.2  
 D730,682 S \* 6/2015 Tu ..... D7/376  
 D730,683 S 6/2015 Tu  
 D742,172 S 11/2015 Dickson, Jr. et al.  
 9,420,915 B2 \* 8/2016 Dickson, Jr. .... A47J 43/046  
 D783,354 S \* 4/2017 Smith ..... D7/376  
 D784,761 S \* 4/2017 Tu ..... D7/376  
 D785,403 S \* 5/2017 Smith ..... D7/376  
 2012/0024993 A1 2/2012 Audette et al.  
 2012/0026827 A1 \* 2/2012 Audette ..... A47J 43/0722  
 366/293

OTHER PUBLICATIONS

Notice of Allowance and Fees Due; U.S. Appl. No. 29/527,748, filed  
 May 21, 2015; Blender Container; dated Oct. 3, 2016; 7 Pages.  
 Notice of Allowance and Fees Due; U.S. Appl. No. 29/527,748, filed  
 May 21, 2015; Blender Container; dated Nov. 25, 2016; 10 Pages.

Notice of Allowance; Japanese Design Application No. 2015-  
 026170; dated Apr. 1, 2016; 2 Pages.  
 Notice of Allowance; Japanese Design Application No. 2015-  
 026171; dated Apr. 1, 2016; 2 Pages.  
 Notice of Allowance; Japanese Design Application No. 2015-  
 026172; dated Apr. 1, 2016; 2 Pages.  
 Notice of Completion of Formalities for Patent Register and Notice  
 of Grant of Design Patent Right; Chinese Application No.  
 2015304633121; dated Mar. 16, 2016; 2 Pages.  
 Notice of Decision for Design Registration; Korean Application No.  
 30-2015-0058156\_M001; dated Jun. 29, 2016; 3 Pages.  
 Notice of Decision for Design Registration; Korean Application No.  
 30-2015-0058156\_M002; dated Jun. 29, 2016; 3 Pages.  
 Notice of Decision for Design Registration; Korean Application No.  
 30-2015-0058156\_M003; dated Jun. 29, 2016; 3 Pages.  
 Notice of References; Japanese Design Application No. 2015-  
 026170; dated Apr. 1, 2016; 2 Pages.  
 Office Action [2]; Korean Application No. 30/2015-0058156\_  
 M001; dated Mar. 26, 2016; 4 Pages.  
 Office Action; Korean Application No. 30-2015-0058156\_M001;  
 dated Mar. 26, 2016; 4 Pages.  
 Requirement for Restriction/Election; U.S. Appl. No. 29/527,748,  
 filed May 21, 2015; Blender Container; dated Jul. 26, 2016; 6 Pages.

\* cited by examiner



FIG. 1



FIG. 2

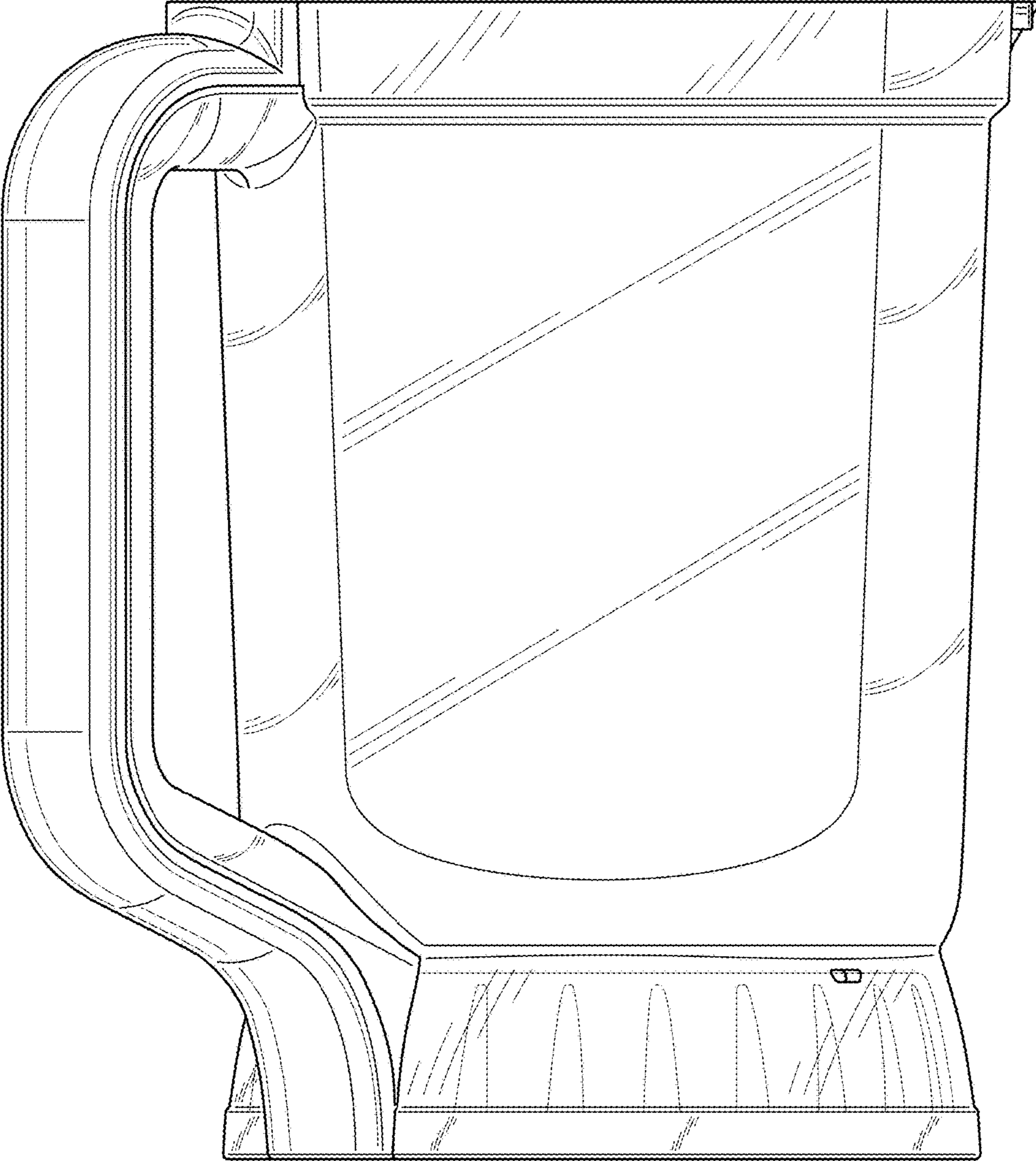


FIG. 3



FIG. 4

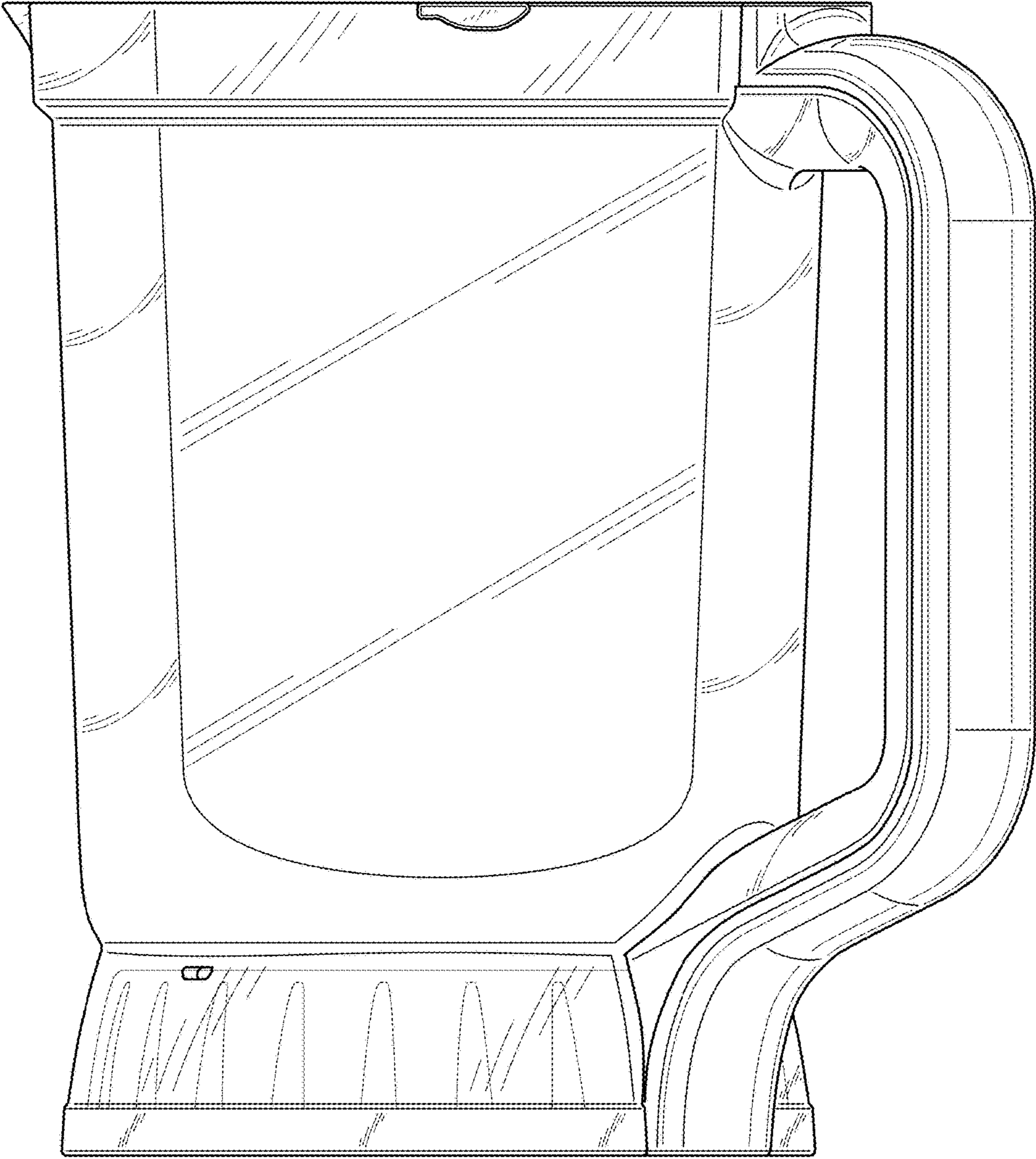


FIG. 5

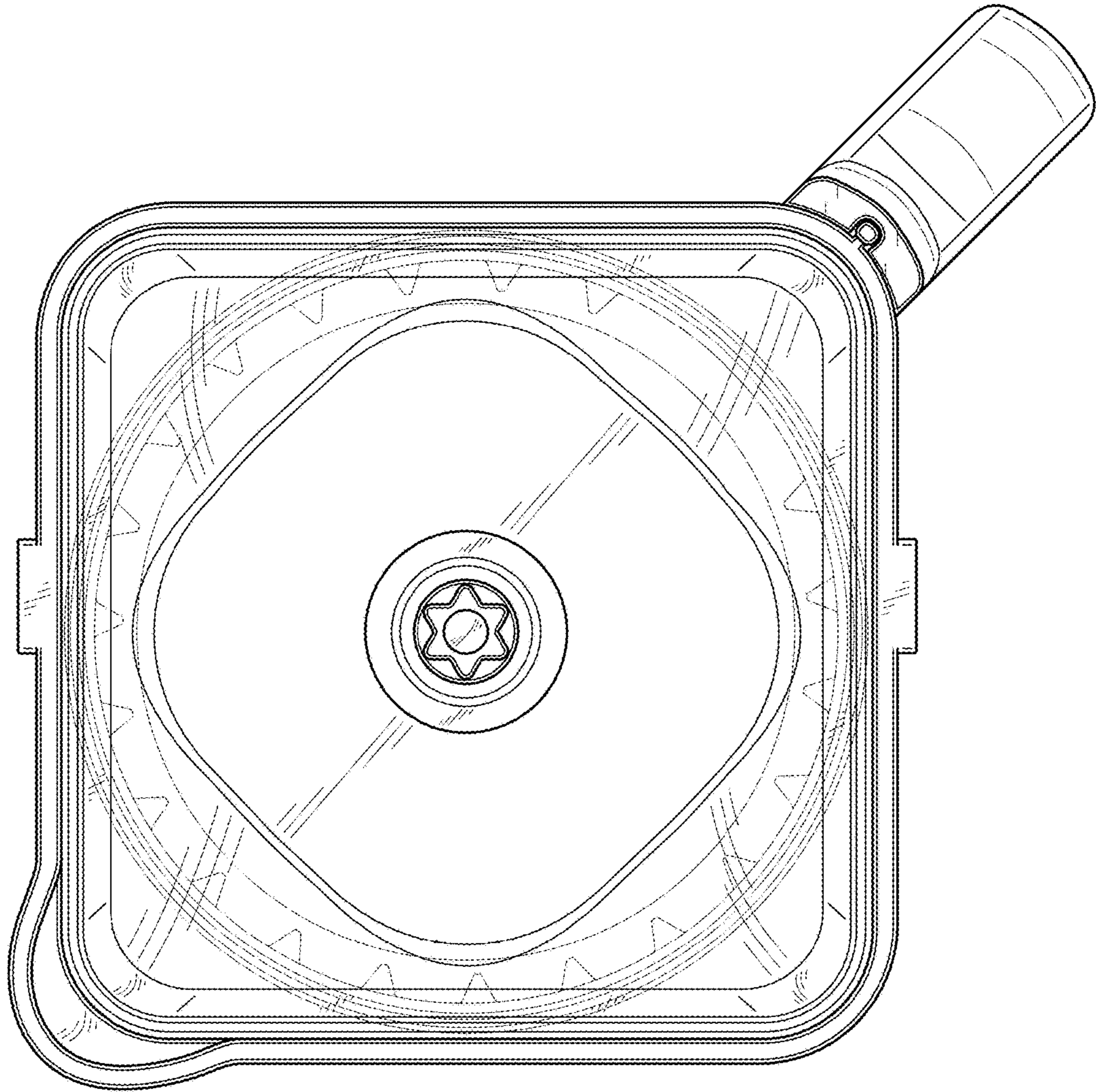


FIG. 6



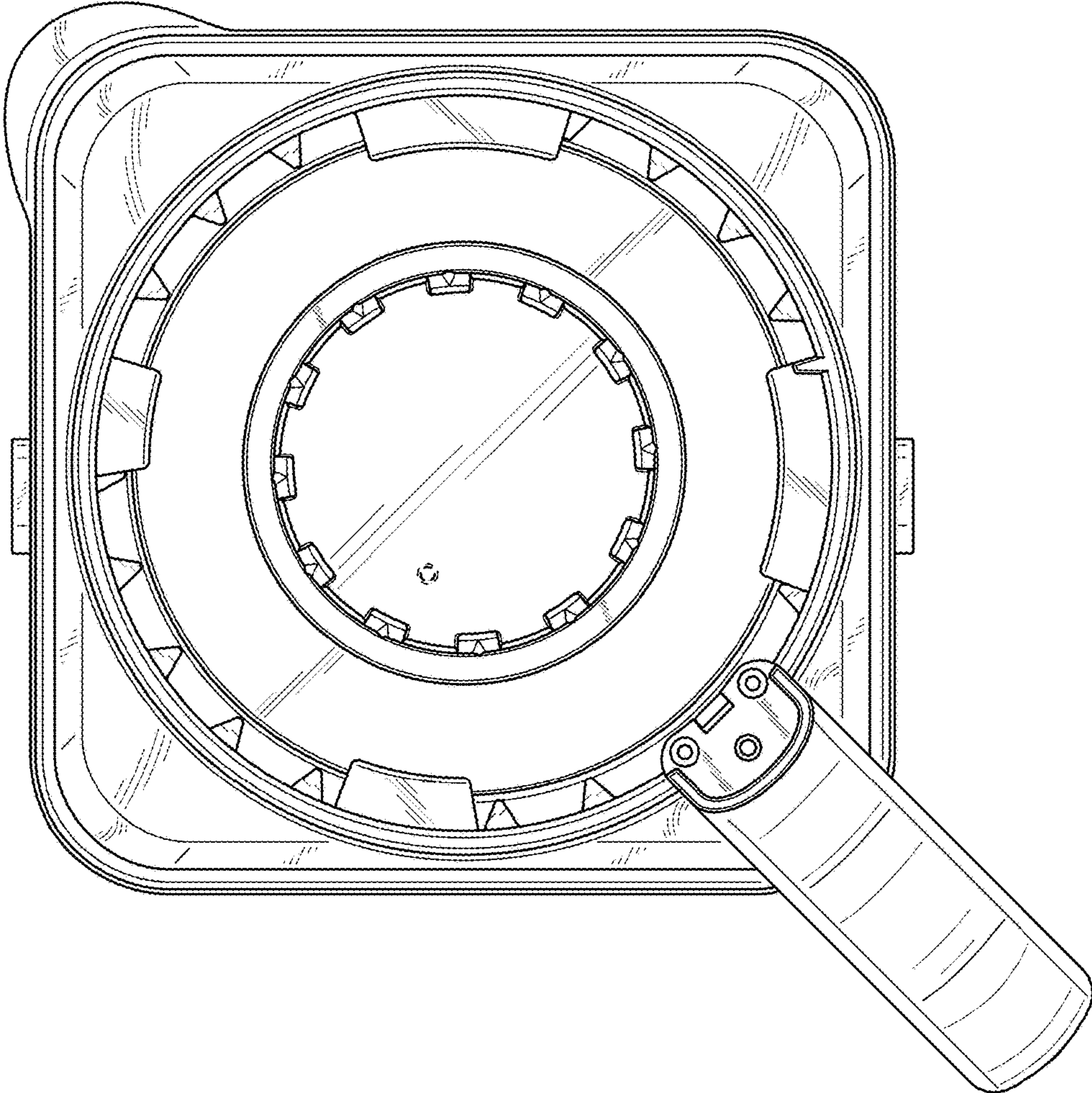


FIG. 7