



US00D811166S

(12) **United States Design Patent** (10) **Patent No.:** **US D811,166 S**
Smith (45) **Date of Patent:** **** Feb. 27, 2018**

(54) **BLENDER CONTAINER**
(71) Applicant: **SharkNinja Operating LLC**, Newton, MA (US)
(72) Inventor: **Cory R. Smith**, Auburndale, MA (US)
(73) Assignee: **SHARKNINJA OPERATING LLC**, Newton, MA (US)
(**) Term: **15 Years**
(21) Appl. No.: **29/595,031**
(22) Filed: **Feb. 24, 2017**

D404,247 S 1/1999 Spagnolo
D427,488 S 7/2000 Herbert
D437,730 S 2/2001 Littmann
D445,644 S 7/2001 Littmann
D450,978 S 11/2001 Smith
D484,357 S 12/2003 Seum et al.
D498,642 S 11/2004 Huang
D530,565 S 10/2006 Grcic
D532,251 S * 11/2006 Kassenaar D7/378
D533,395 S * 12/2006 Drees D7/378
D537,674 S * 3/2007 Davenport D7/378
D543,072 S * 5/2007 Ting D7/378
D553,425 S * 10/2007 Steiner D7/378
D577,537 S 9/2008 Lee
D617,136 S 6/2010 Bock et al.
D642,857 S * 8/2011 Bodum D7/376

(Continued)

Related U.S. Application Data

(62) Division of application No. 29/527,737, filed on May 21, 2015, now Pat. No. Des. 785,403.
(51) **LOC (11) Cl.** **31-00**
(52) **U.S. Cl.**
USPC **D7/413; D7/376; D7/378; D7/412**
(58) **Field of Classification Search**
USPC D7/372, 376-386, 412-413, 602, 629, D7/665-666, 669, 679, 693-694
CPC A21C 1/02; A21C 1/04; A23N 1/00; A23N 1/02; A47J 43/04; A47J 43/25; A47J 43/27; A47J 43/042; A47J 43/044; A47J 43/046; A47J 43/075; A47J 43/0722; A47J 43/0727; B01F 3/00; B01F 3/0807; B01F 3/0853; B01F 13/0059; B01F 13/0064; B02C 1/08; B02C 2/04; B02C 4/42; B02C 4/142; B02C 4/143; B02C 4/423; B02C 13/1835; B28C 5/10; B28C 5/12; B28C 5/14; B28C 5/16
See application file for complete search history.

(56) **References Cited**

U.S. PATENT DOCUMENTS

D386,357 S * 11/1997 Davidson D7/413
D387,948 S 12/1997 Leverrier

OTHER PUBLICATIONS

Application for Registration of an Industrial Design Examiner's Report; Canadian Application No. 164967; dated Jan. 14, 2016; 2 Pages.

(Continued)

Primary Examiner — Ricky Pham
(74) *Attorney, Agent, or Firm* — Cantor Colburn LLP

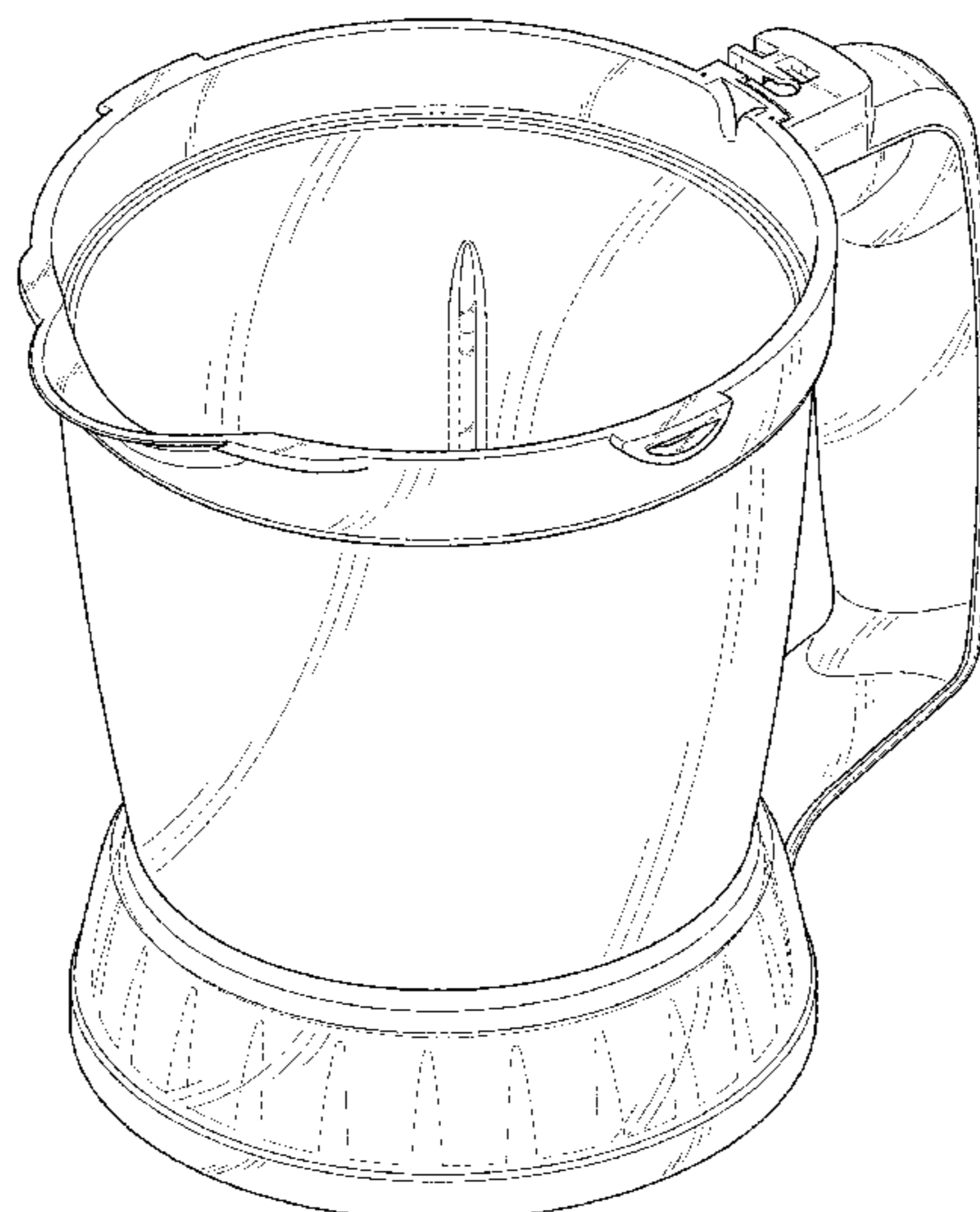
(57) **CLAIM**

The ornamental design for a blender container, as shown and described.

DESCRIPTION

FIG. 1 is a perspective view of an embodiment of the blender container;
FIG. 2 is a front elevational view thereof;
FIG. 3 is a rear elevational view thereof;
FIG. 4 is a left side elevational view thereof;
FIG. 5 is a right side elevational view thereof;
FIG. 6 is a top plan view thereof; and,
FIG. 7 is a bottom plan view thereof.

1 Claim, 7 Drawing Sheets



(56)

References Cited

U.S. PATENT DOCUMENTS

D645,301 S	9/2011	Tse	
D659,469 S	5/2012	Hoare et al.	
D661,548 S	6/2012	Brinckerhoff et al.	
D678,726 S	3/2013	Palermo et al.	
D679,543 S	4/2013	Repac	
D702,999 S	4/2014	Audette et al.	
D705,606 S	5/2014	Coakley et al.	
D731,234 S	6/2015	Weaden et al.	
D745,317 S	12/2015	Dichraff et al.	
D746,629 S *	1/2016	Ji	D7/376
D755,567 S	5/2016	Tu et al.	
D759,424 S *	6/2016	Ou	D7/376
D766,039 S	9/2016	Tu et al.	
D777,515 S *	1/2017	Potter	D7/376
D783,354 S *	4/2017	Smith	D7/376
D785,403 S *	5/2017	Smith	D7/376
2006/0018189 A1	1/2006	Chang Chien	
2009/0114616 A1 *	5/2009	White	A47J 43/0722 215/307

OTHER PUBLICATIONS

Japanese Design No. D1536729 (S); Publication Date: Nov. 2, 2015; Machine Translation; 10 Pages.

Notice of Allowance and Fees Due; U.S. Appl. No. 29/527,737, filed May 21, 2015; Blender Container; dated Nov. 25, 2016; 11 Pages.
 Notice of Allowance; Japanese Design Application No. 2015-026167; dated Apr. 1, 2016; 2 Pages.
 Notice of Allowance; Japanese Design Application No. 2015-026168; dated Apr. 1, 2016; 2 Pages.
 Notice of Allowance; Japanese Design Application No. 2015-026169; dated Apr. 1, 2016; 2 Pages.
 Notice of Completion of Formalities for Patent Register and Notice of Grant of Design Patent Right; Chinese Application No. 2015304632985; dated Mar. 16, 2016; 2 Pages.
 Notice of Decision for Design Registration; Korean Application No. 30-2015-0058153 [M001]; dated May 23, 2016; 6 Pages.
 Notice of Decision for Design Registration; Korean Application No. 30-2015-0058153 [M002]; dated May 23, 2016; 6 Pages.
 Notice of Decision for Design Registration; Korean Application No. 30-2015-0058153 [M003]; dated May 23, 2016; 6 Pages.
 Notice of References; Japanese Design Application No. 2015-026167; dated Apr. 1, 2016; 2 Pages.
 Notice of References; Japanese Design Application No. 2015-026168; dated Apr. 1, 2016; 2 Pages.
 Notice of References; Japanese Design Application No. 2015-026169; dated Apr. 1, 2016; 2 Pages.
 Requirement for Restriction/Election; U.S. Appl. No. 29/527,737; filed May 21, 2015; Blender Container; dated Jul. 26, 2016; 6 Pages.

* cited by examiner



FIG. 1

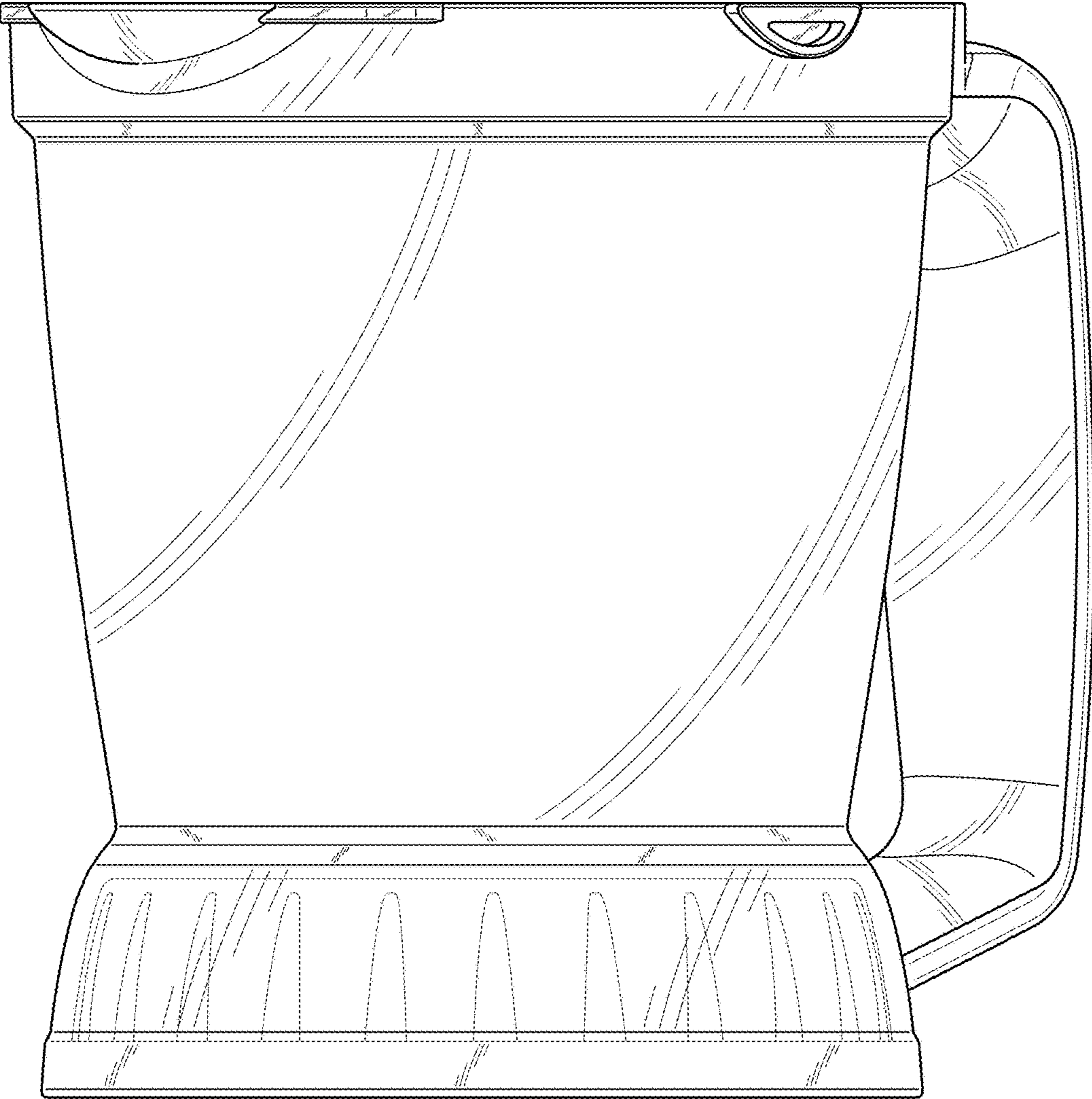


FIG. 2

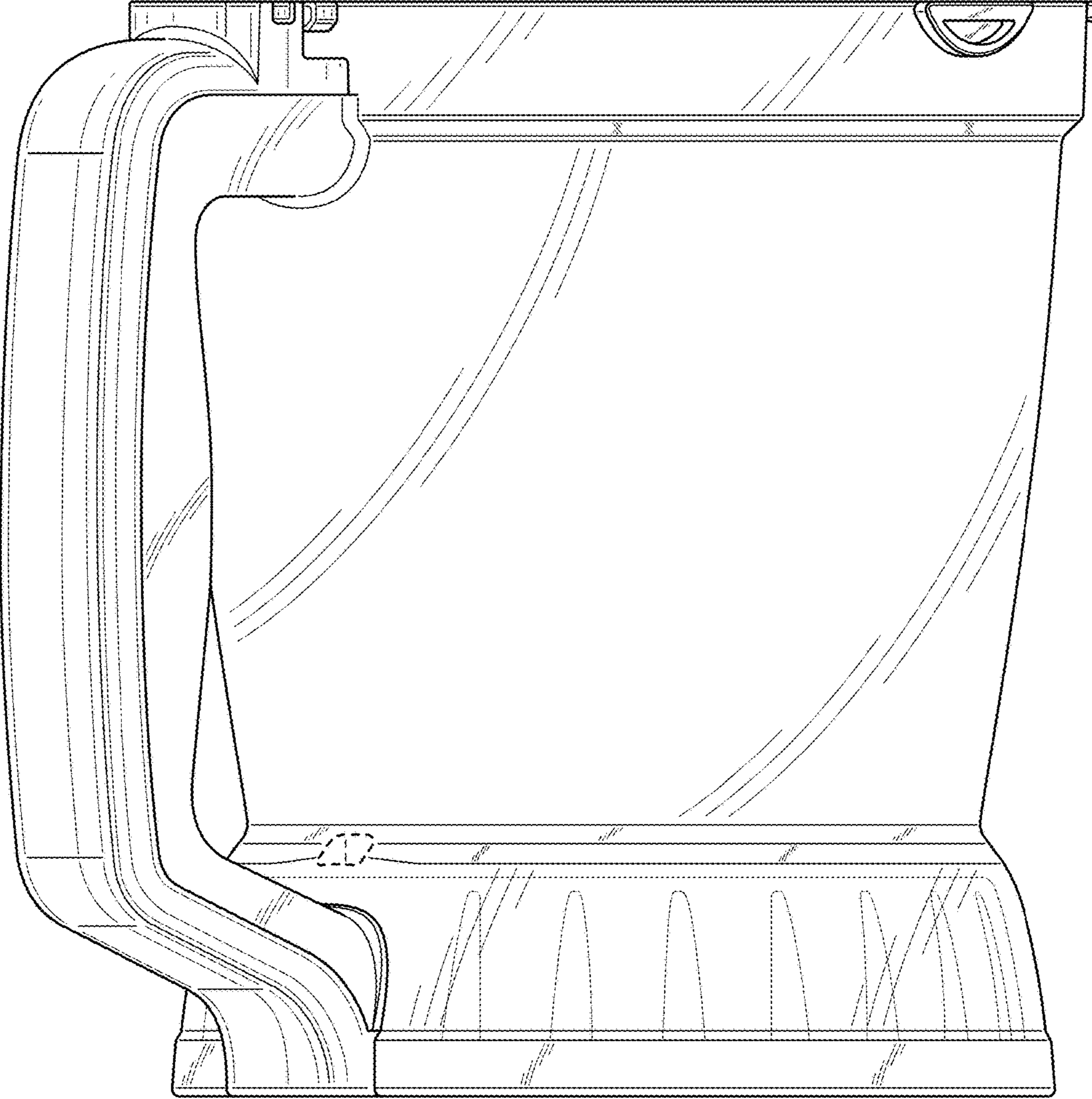


FIG. 3

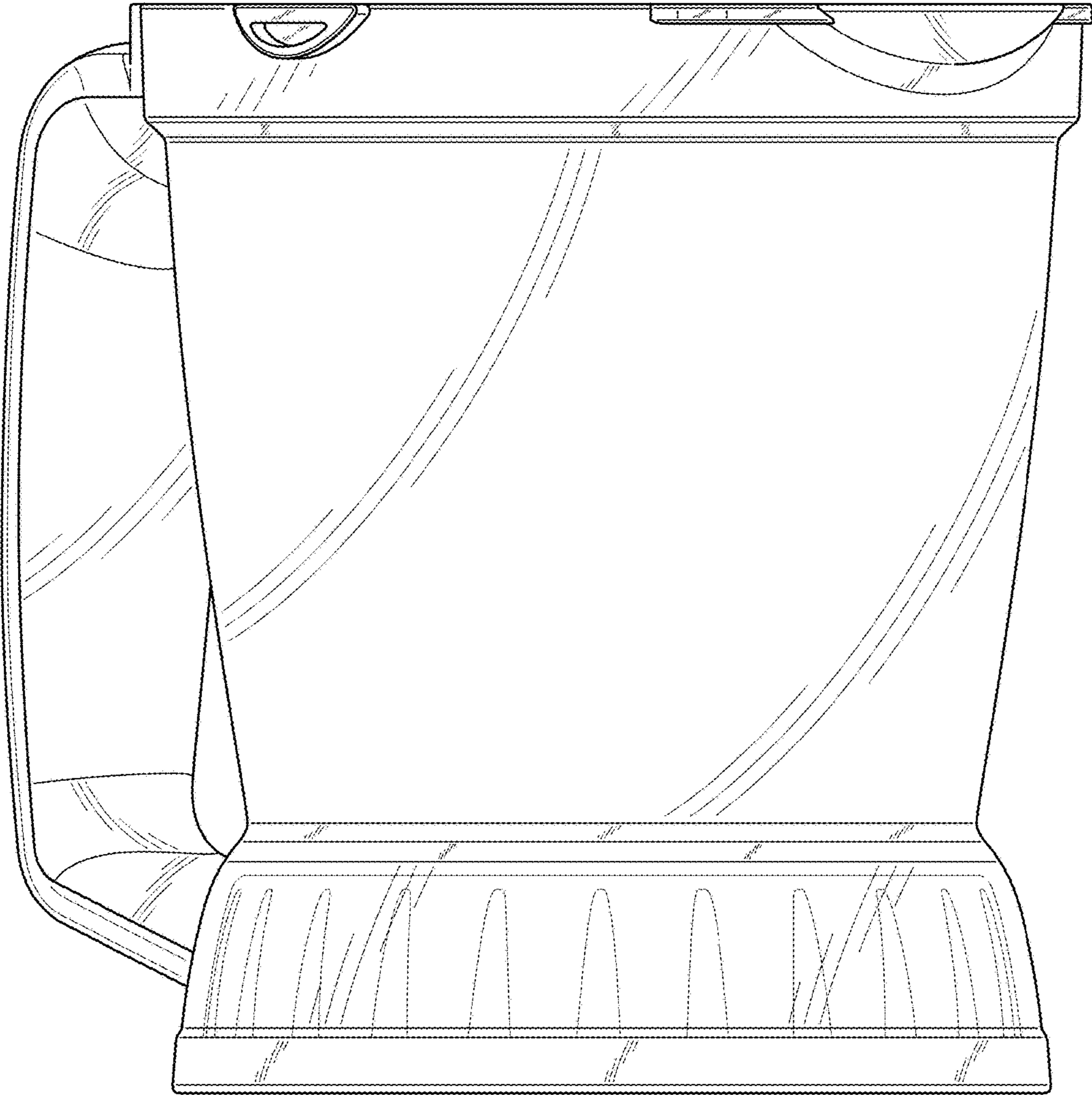


FIG. 4

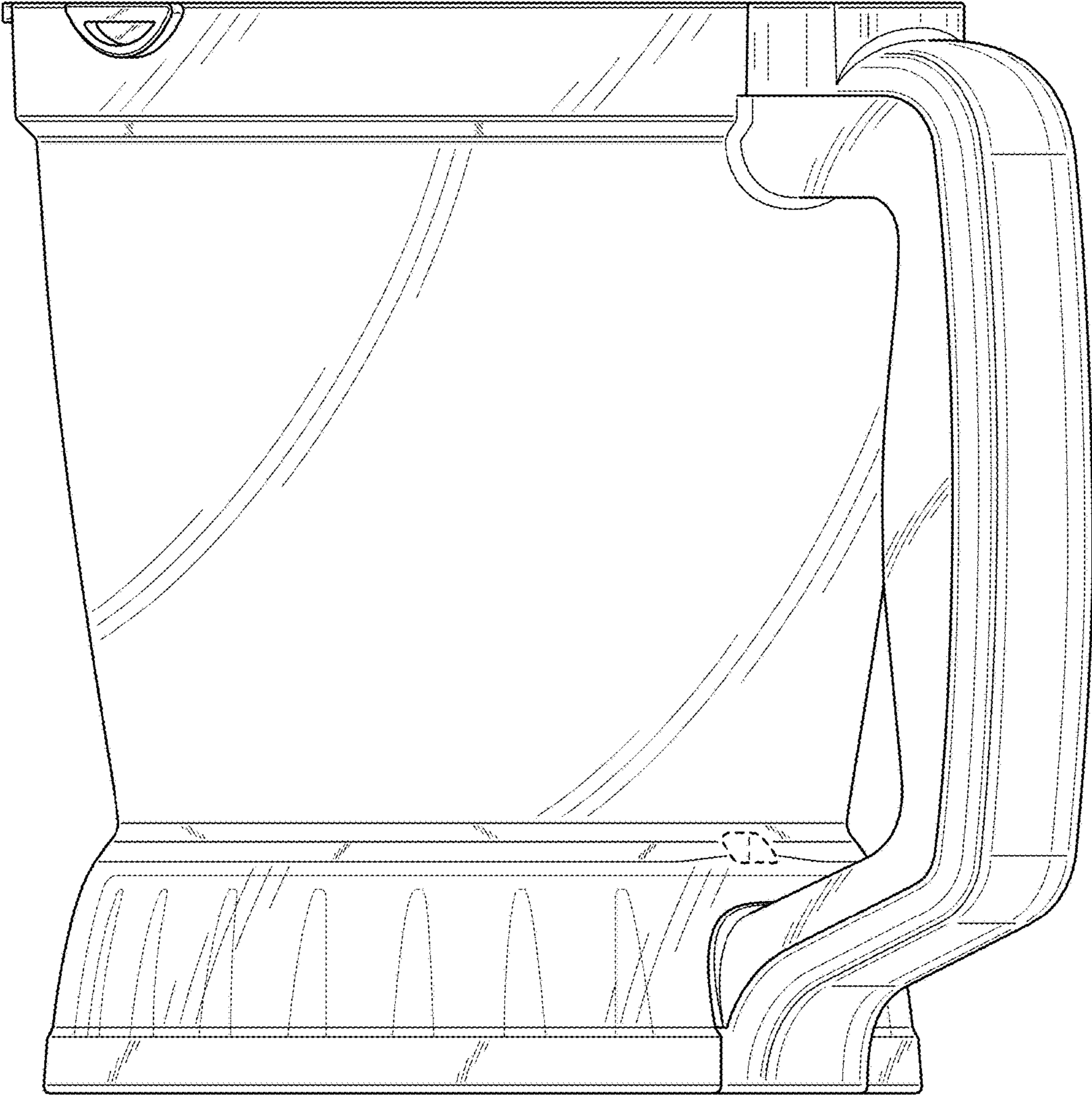


FIG. 5

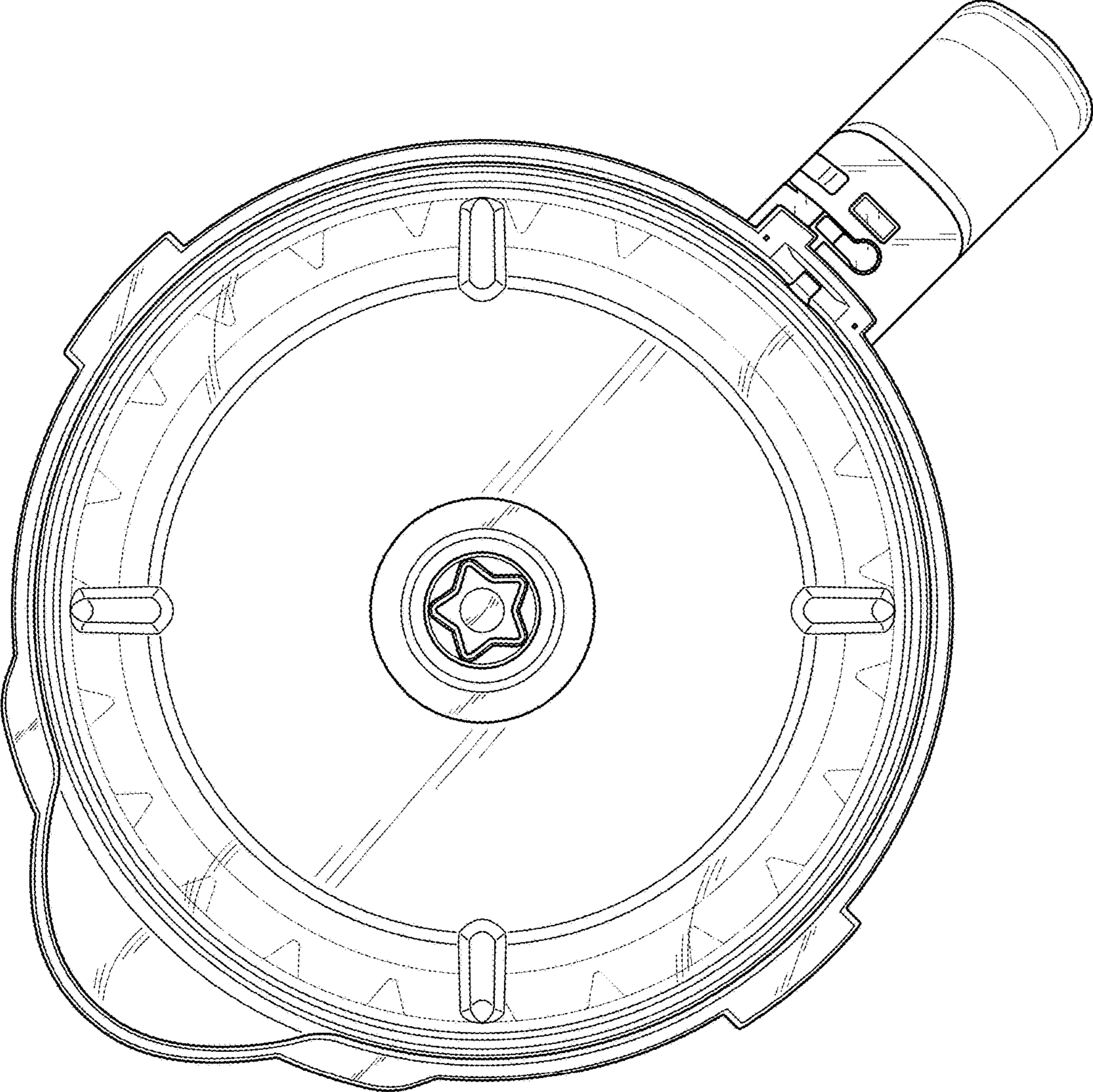


FIG. 6

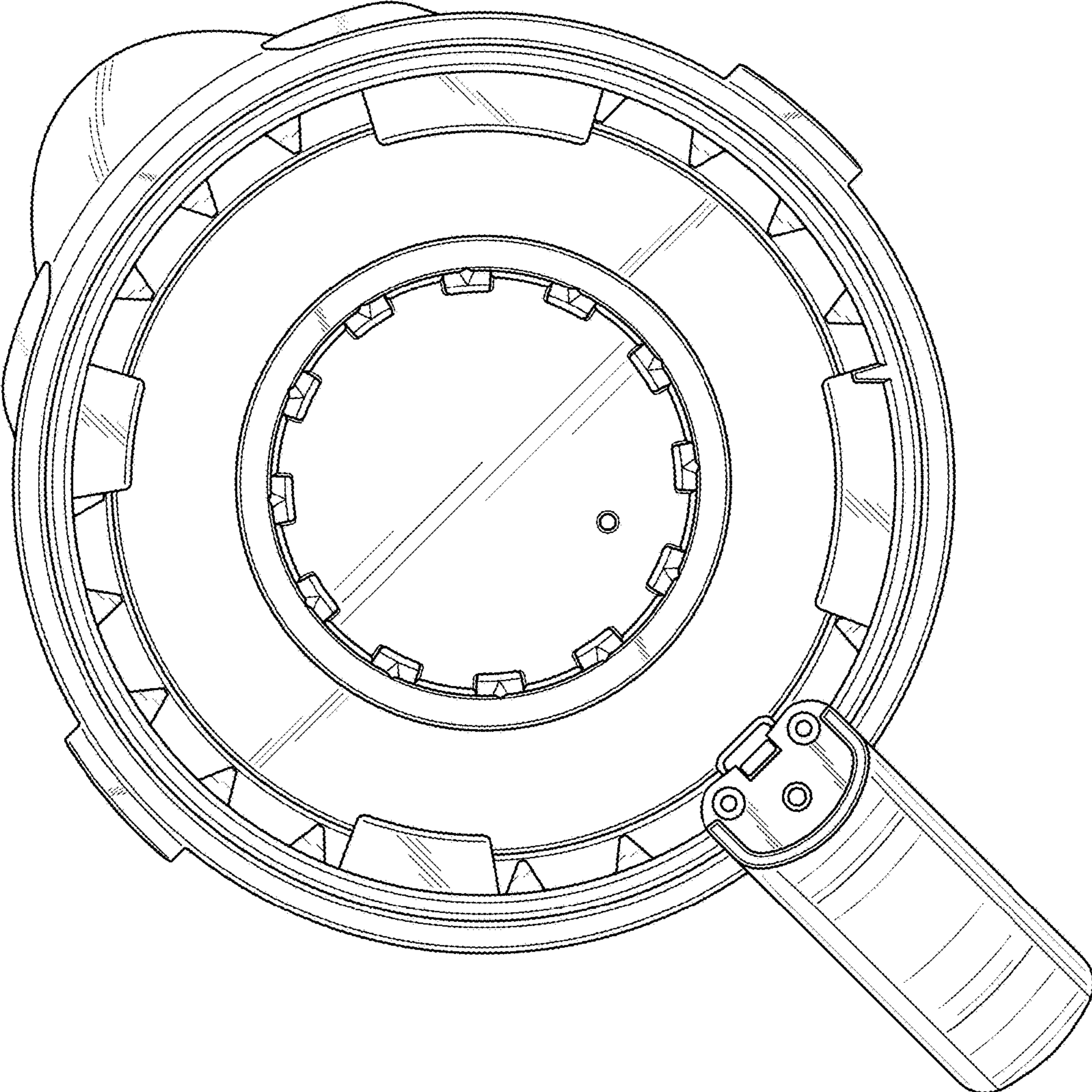


FIG. 7