



US00D811164S

(12) **United States Design Patent**
Kamper et al.

(10) **Patent No.:** **US D811,164 S**

(45) **Date of Patent:** **** Feb. 27, 2018**

(54) **GAS COOK TOP**

(71) Applicants: **BSH Home Appliances Corporation**,
Irvine, CA (US); **BSH Hausgeräte**
GmbH, Munich (DE)

(72) Inventors: **Heather Kamper**, Newport Beach, CA
(US); **Andy Mok**, Stanton, CA (US)

(73) Assignees: **BSH Hausgeräte GmbH**, Munich
(DE); **BSH Home Appliances**
Corporation, Irvine, CA (US)

(**) Term: **15 Years**

(21) Appl. No.: **29/529,267**

(22) Filed: **Jun. 5, 2015**

(51) **LOC (11) Cl.** **07-02**

(52) **U.S. Cl.**
USPC **D7/408**

(58) **Field of Classification Search**
USPC D7/407-409, 402, 339-341, 346-347,
D7/362; D23/397, 402
CPC F24C 15/107; F24C 15/36; F24C 3/08;
F24C 3/082; F24C 7/067; F24C 7/062;
A47J 37/0709

See application file for complete search history.

(56) **References Cited**

U.S. PATENT DOCUMENTS

D378,885 S * 4/1997 Sparks D7/408
D383,030 S * 9/1997 Beeren D7/346
D530,972 S * 10/2006 Park D7/340

D551,501 S * 9/2007 Baldwin D7/408
D552,407 S * 10/2007 Ritterling D7/340
D702,497 S * 4/2014 Funnell, II D7/408
D721,538 S * 1/2015 Kim D7/408
D736,553 S * 8/2015 Funnell, II D7/339
D789,729 S * 6/2017 Lee D7/340
2009/0260614 A1 * 10/2009 Scott F24C 15/006
126/1 R
2010/0051012 A1 * 3/2010 Martins F24C 15/107
126/39 B
2011/0114077 A1 * 5/2011 Mishra F24C 15/107
126/39 R
2014/0345597 A1 * 11/2014 Lim F24C 3/08
126/39 E

* cited by examiner

Primary Examiner — Sheryl Lane

Assistant Examiner — Nicole C Shiflet

(74) *Attorney, Agent, or Firm* — Michael E. Tschupp;
Andre Pallapies; Brandon G. Braun

(57) **CLAIM**

The ornamental design for a gas cook top, as shown and described.

DESCRIPTION

FIG. 1 is a perspective view of a gas cook top showing our new design;

FIG. 2 is a top view thereof;

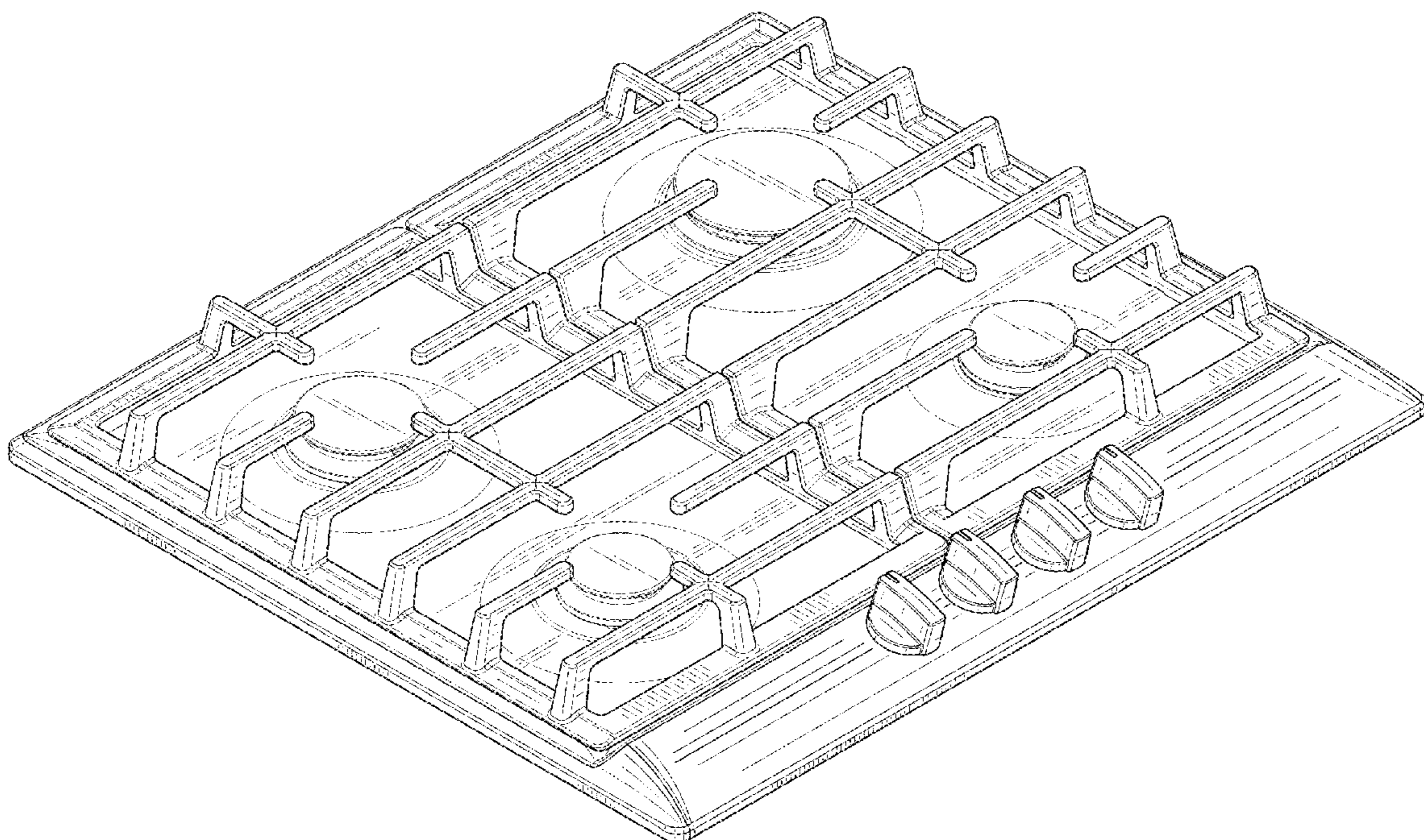
FIG. 3 is a left side view thereof;

FIG. 4 is a right side view thereof;

FIG. 5 is a front view thereof; and,

FIG. 6 is a rear view thereof.

1 Claim, 3 Drawing Sheets



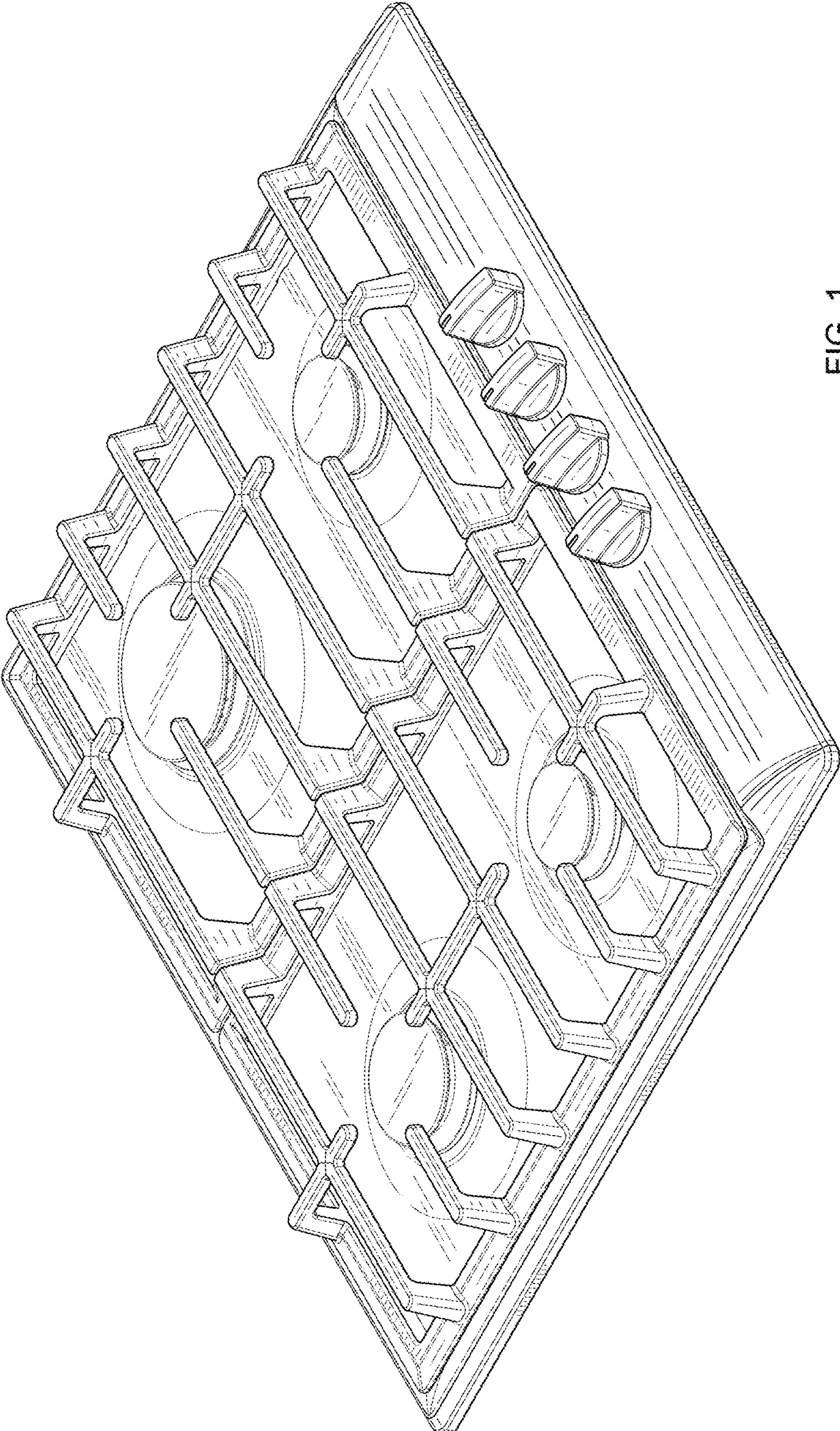


FIG. 1

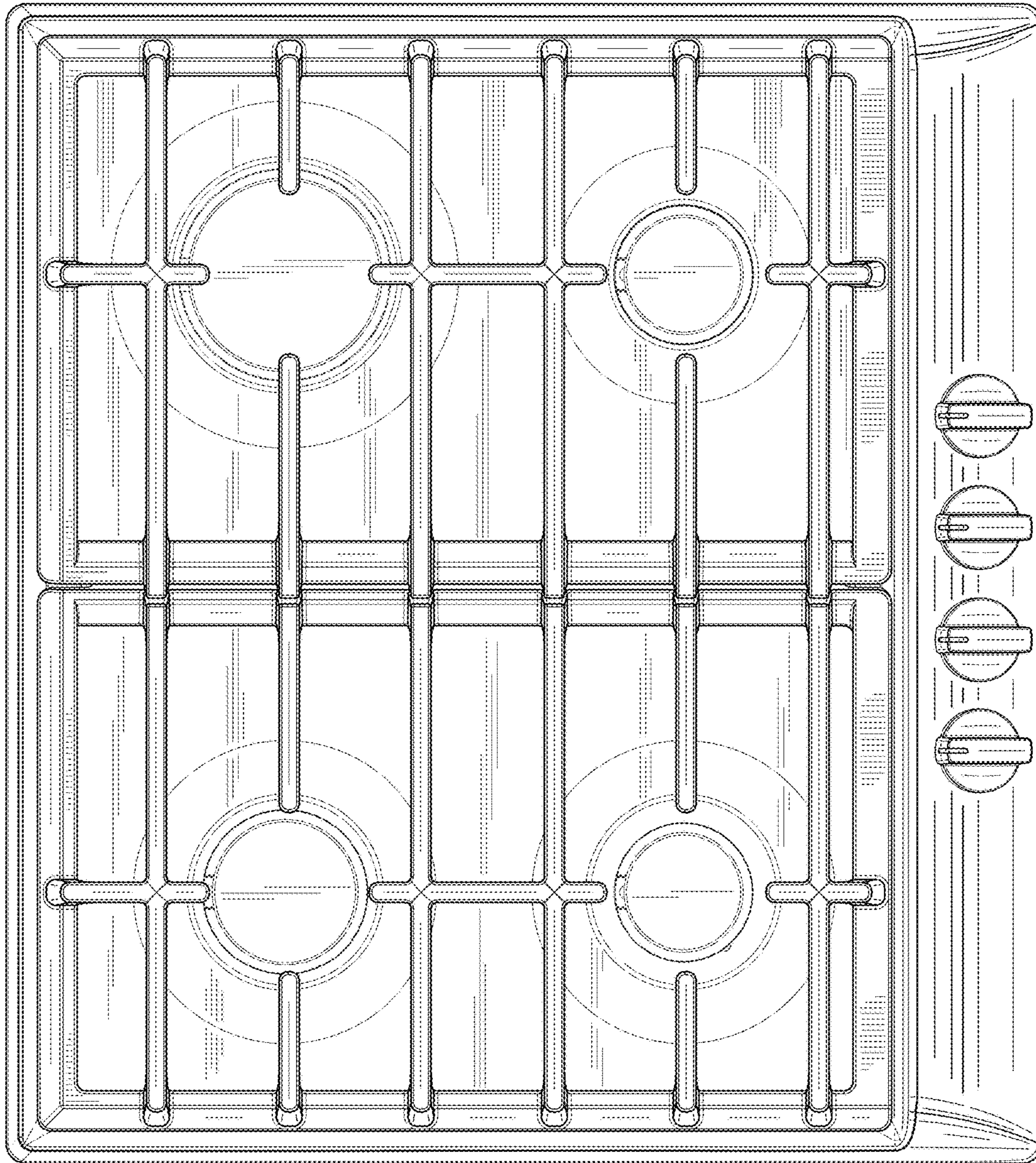


FIG. 2

FIG. 3

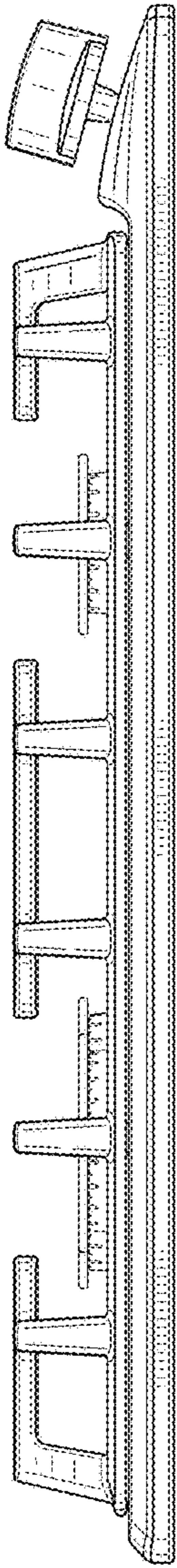


FIG. 4

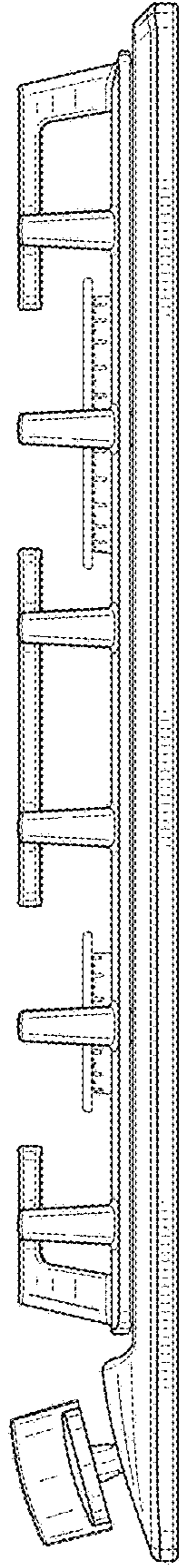


FIG. 5

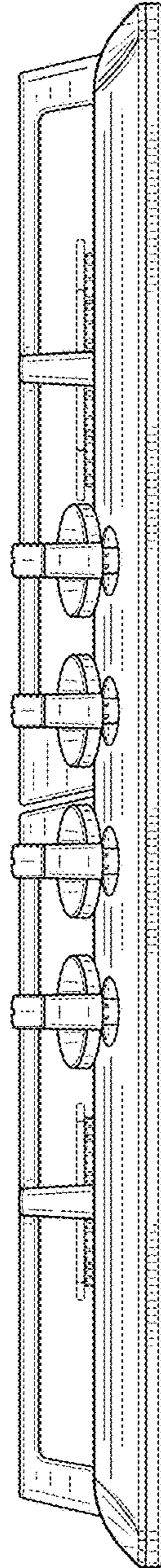


FIG. 6

