



US00D811163S

(12) **United States Design Patent** (10) **Patent No.:** **US D811,163 S**
Kestenbaum (45) **Date of Patent:** **** Feb. 27, 2018**

(54) **USER INTERFACE FOR COFFEE MAKER**

OTHER PUBLICATIONS

(71) Applicant: **SHARKNINJA OPERATING LLC**,
Newton, MA (US)

Notice of Allowance; Japanese Application No. 2016-015600; dated
Mar. 31, 2017; 2 Pages.

(Continued)

(72) Inventor: **Daniel Kestenbaum**, Brookline, MA
(US)

Primary Examiner — Marianne Pandozzi

(74) *Attorney, Agent, or Firm* — Cantor Colburn LLP

(73) Assignee: **SHARKNINJA OPERATING LLC**,
Newton, MA (US)

(57) **CLAIM**

The ornamental design for a user interface for coffee maker,
as shown and described.

(**) Term: **15 Years**

DESCRIPTION

(21) Appl. No.: **29/552,494**

FIG. 1 is a perspective view of the user interface for coffee
maker showing our new design embodiment;

(22) Filed: **Jan. 22, 2016**

FIG. 2 is a front view of the embodiment shown in FIG. 1;

(51) **LOC (11) Cl.** **07-01**

FIG. 3 is a rear view of the embodiment shown in FIG. 1;

(52) **U.S. Cl.**

FIG. 4 is a side view of the embodiment shown in FIG. 1;

USPC **D7/399**; D7/397

FIG. 5 is another side view of the embodiment shown in
FIG. 1;

(58) **Field of Classification Search**

USPC D7/306-311, 305, 300, 313, 399, 397,
D7/406; 99/279, 284, 290, 280, 299,
99/307, 323.1; 222/23, 129.1; 62/395;
D20/1

FIG. 6 is a top view of the embodiment shown in FIG. 1;
FIG. 7 is a bottom view of the embodiment shown in FIG.
1;

CPC A47J 31/44; A47J 31/00; B67D 1/0041;
B67D 3/00; G09F 11/06

FIG. 8 is a perspective view of the user interface for coffee
maker, showing our new design another embodiment;

See application file for complete search history.

FIG. 9 is a front view of the embodiment shown in FIG. 8;

(56) **References Cited**

U.S. PATENT DOCUMENTS

D240,386 S * 7/1976 Stuetzer D7/309
4,517,428 A * 5/1985 Matsushima G09F 11/06
219/720
4,721,034 A * 1/1988 Shimomura A47J 31/047
99/280
D295,252 S * 4/1988 Mierzwinski D7/406

FIG. 10 is a rear view of the embodiment shown in FIG. 8;
FIG. 11 is a side view of the embodiment shown in FIG. 8;
FIG. 12 is another side view of the embodiment shown in
FIG. 8;

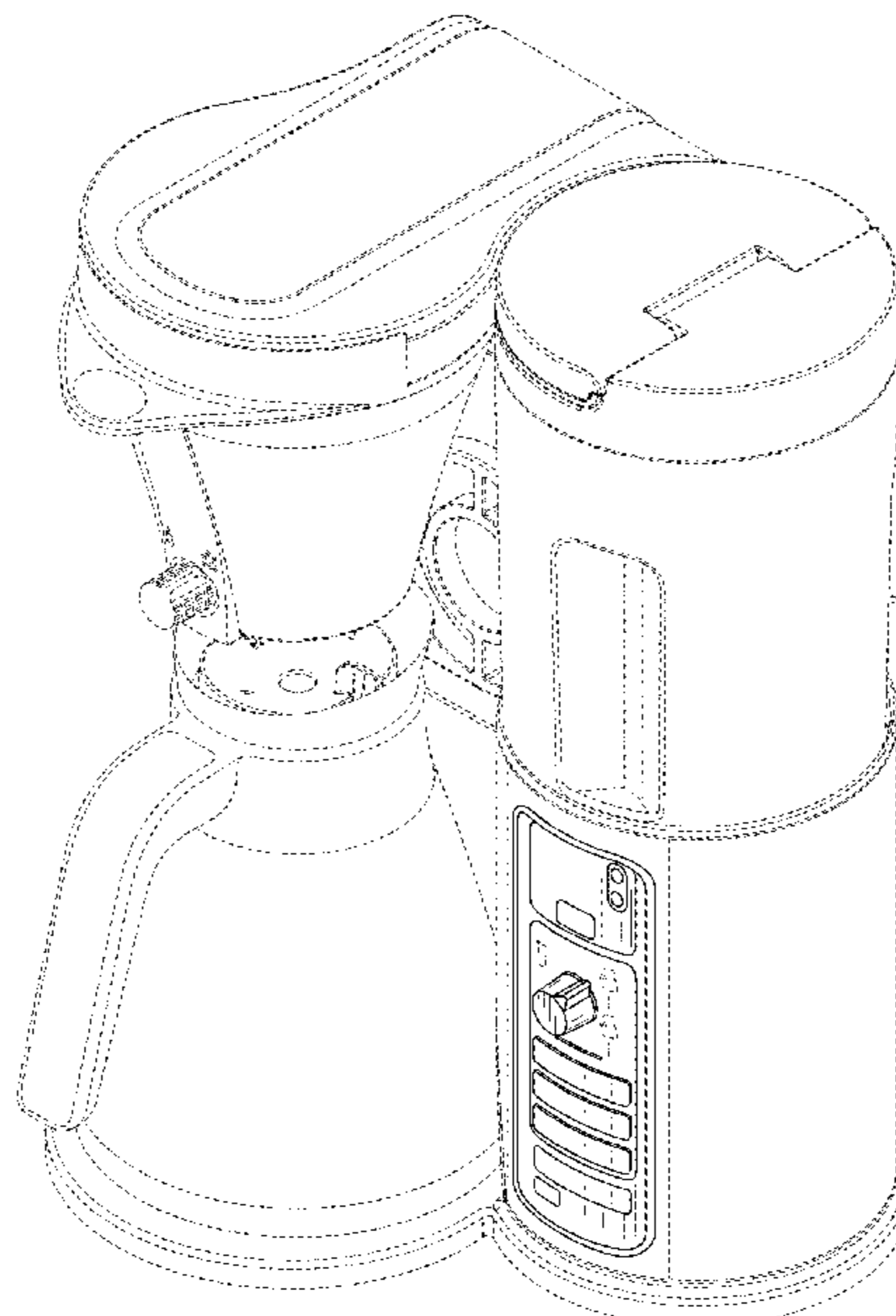
FIG. 13 is a top view of the embodiment shown in FIG. 8;
and,

FIG. 14 is a bottom view of the embodiment shown in FIG.
8.

The broken lines in the figures are for environmental pur-
poses only and form no part of the claimed design.

(Continued)

1 Claim, 14 Drawing Sheets



(56)

References Cited

U.S. PATENT DOCUMENTS

D307,754 S * 5/1990 Osrow D15/82
 D379,049 S * 5/1997 Amiel D7/305
 D409,875 S * 5/1999 Alonge D7/309
 D414,647 S * 10/1999 Driscoll D7/309
 D496,553 S * 9/2004 Bodum D7/309
 D500,762 S * 1/2005 Chen D14/444
 D514,371 S * 2/2006 Yang D7/306
 D552,402 S * 10/2007 Schwamkrug D7/309
 D560,950 S * 2/2008 Schwamkrug D7/309
 D568,681 S * 5/2008 Hillmann D7/387
 D585,229 S * 1/2009 de Visser D7/309
 D596,442 S * 7/2009 Cahen D7/309
 D613,994 S * 4/2010 Murphy D7/406
 D627,188 S * 11/2010 Picozza D7/306
 D703,989 S * 5/2014 Garman D7/305
 D712,188 S * 9/2014 Averty D7/309
 D714,088 S * 9/2014 Cahen D7/309
 D718,563 S * 12/2014 Deman D7/305
 D718,972 S * 12/2014 Jorgensen D7/309
 D728,988 S * 5/2015 Warburton D7/306

D736,025 S * 8/2015 Kestenbaum D7/309
 D745,307 S * 12/2015 Kestenbaum D7/309
 D761,053 S * 7/2016 Rosati D13/164
 D762,412 S * 8/2016 Kestenbaum D7/392
 D765,455 S * 9/2016 de Gooijer D7/309
 D773,877 S * 12/2016 Lee D7/309
 D773,878 S * 12/2016 Lee D7/309
 D783,347 S * 4/2017 Kestenbaum D7/397

OTHER PUBLICATIONS

Notice of Completion of Formalities for Patent Register and Notice of Grant of Design Patent Right; Chinese Application No. 2016303413612; dated Oct. 10, 2016; 5 Pages.
 Notice of Decision for Design Registration; Korean Application No. 30-2016-0035874; dated Apr. 3, 2017; 6 Pages.
 Notice of Preliminary Rejection; Korean Application No. 30-2016-0035874; dated Dec. 7, 2016; 3 Pages.
 Notice of References; Japanese Application No. 2016-015600; dated Mar. 31, 2017; 3 Pages.

* cited by examiner

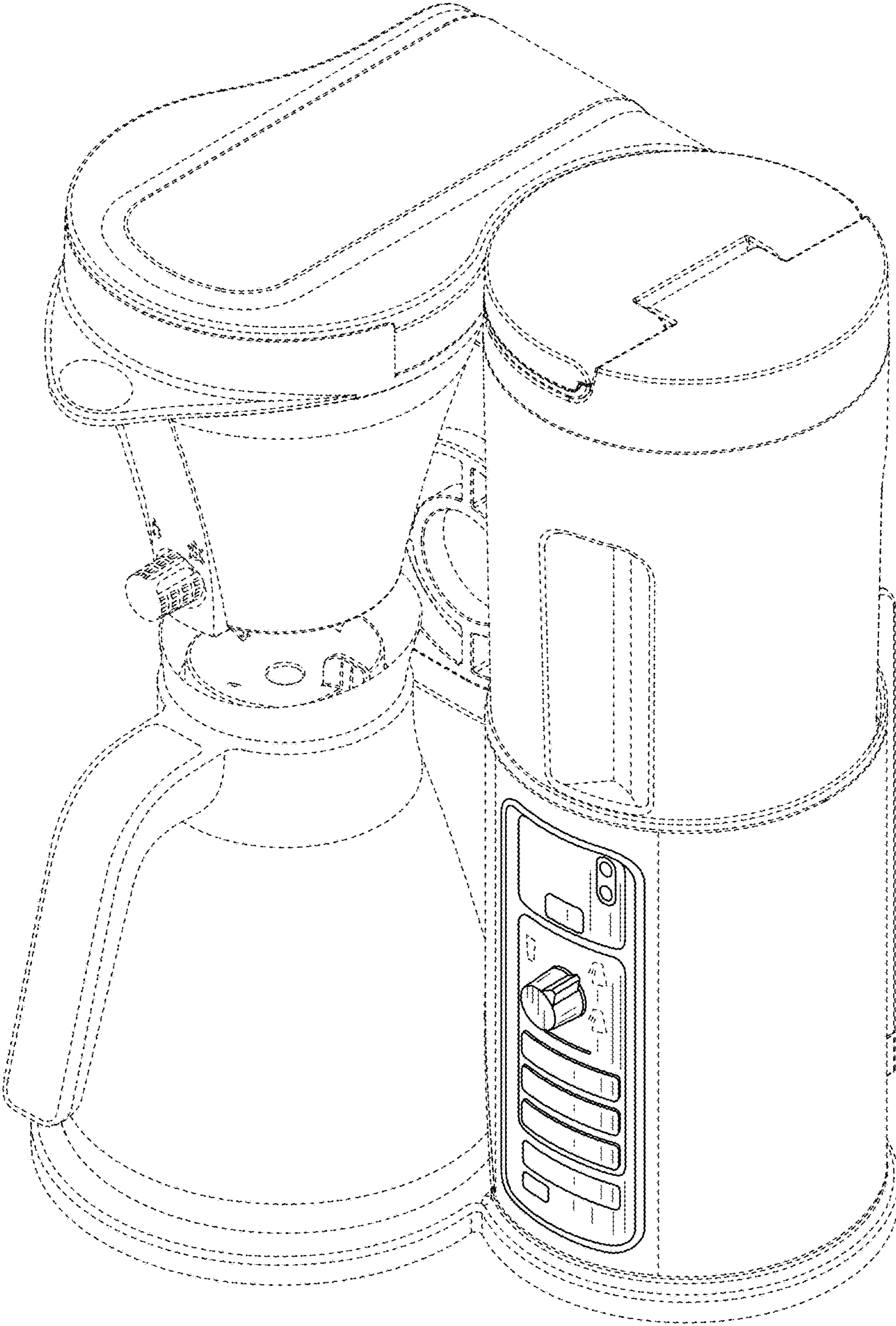


FIG. 1

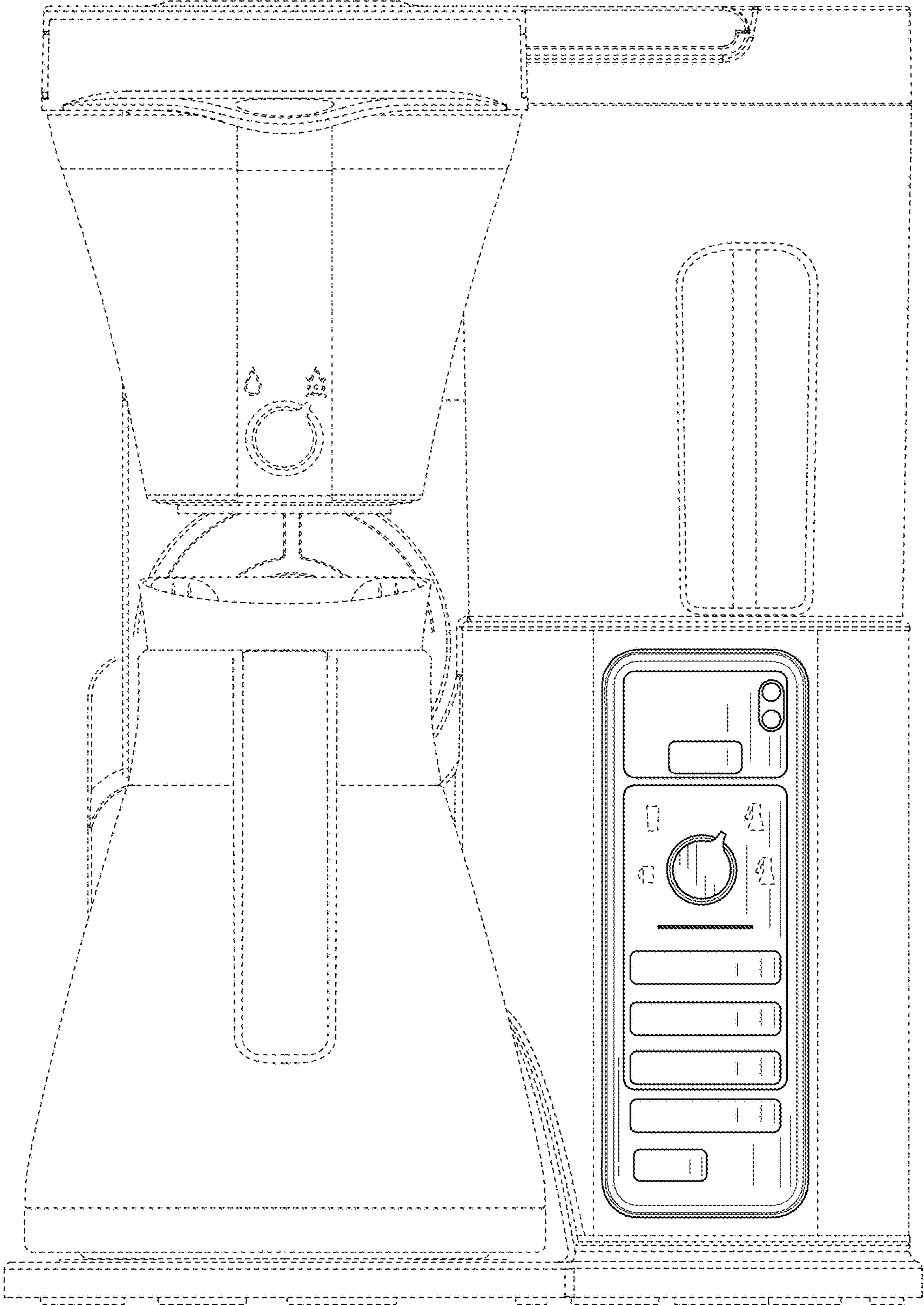


FIG. 2

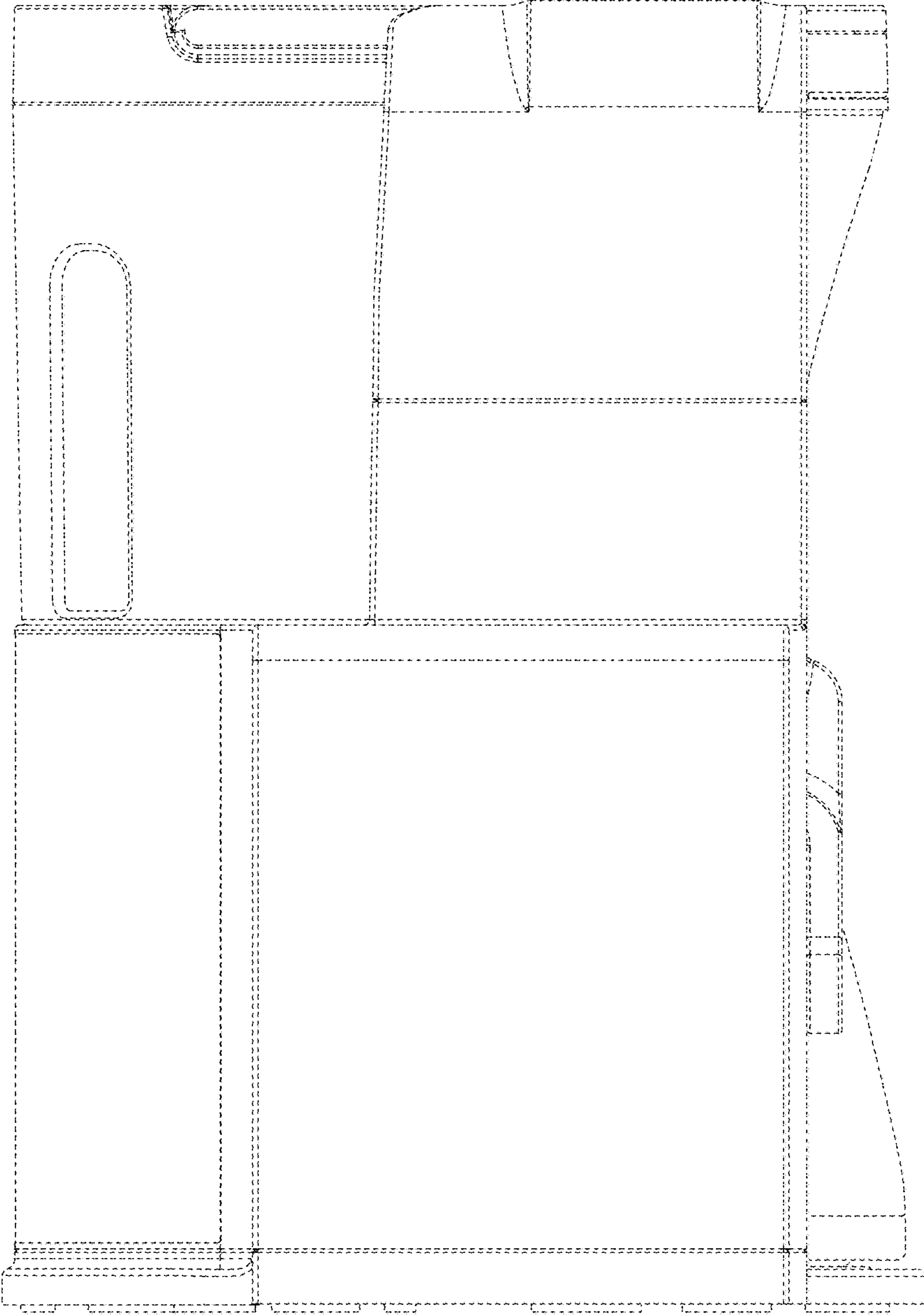


FIG. 3

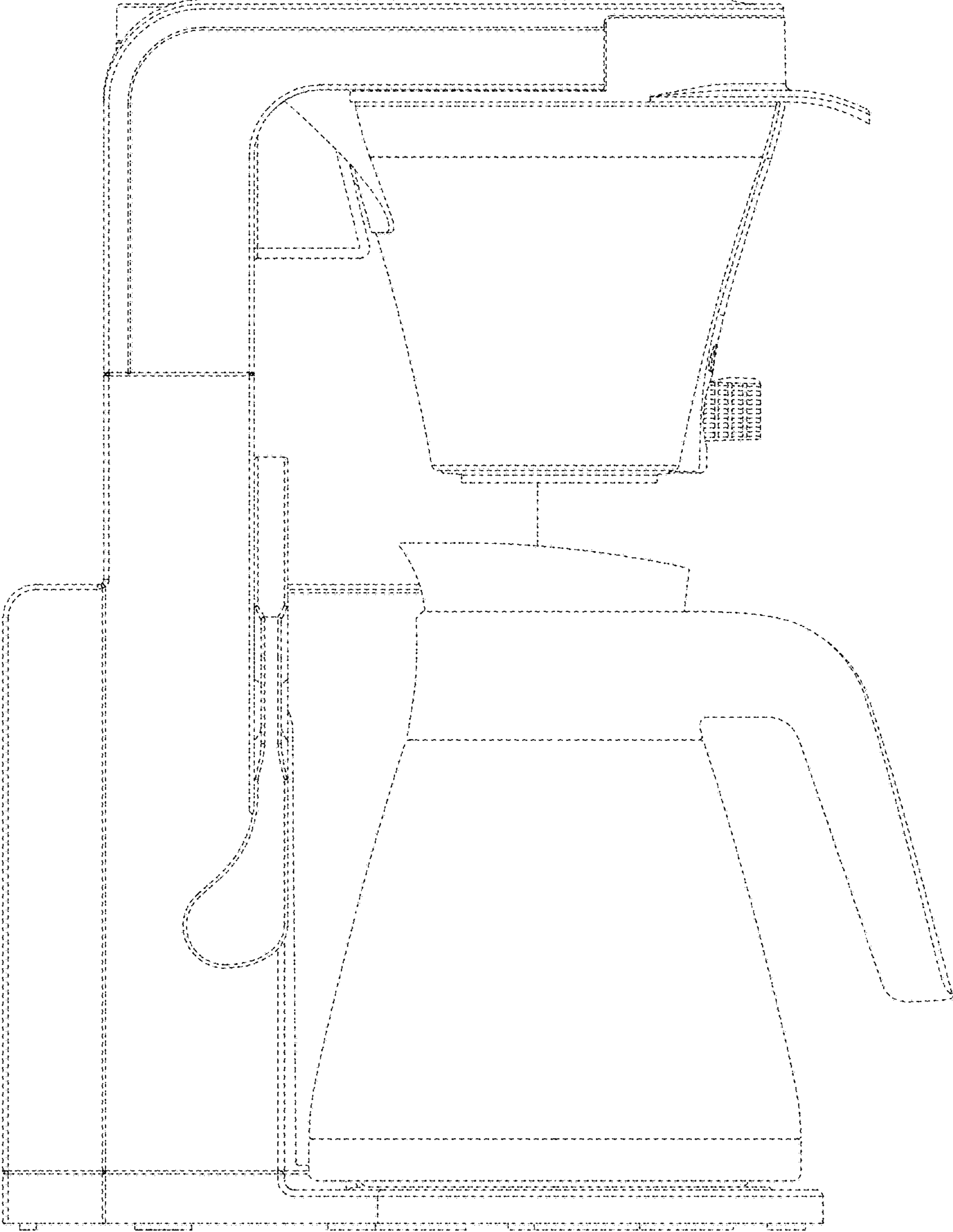


FIG. 4

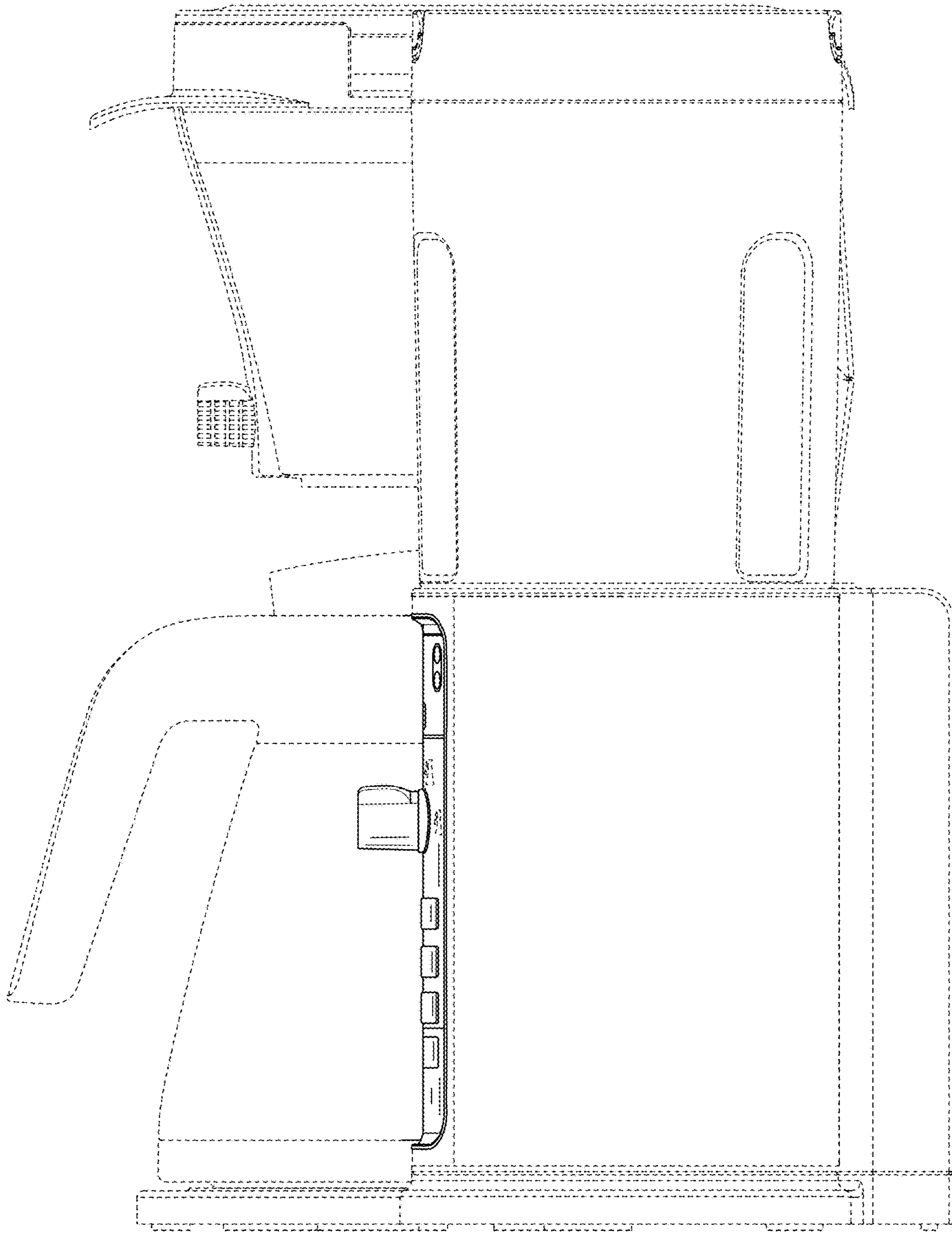


FIG. 5

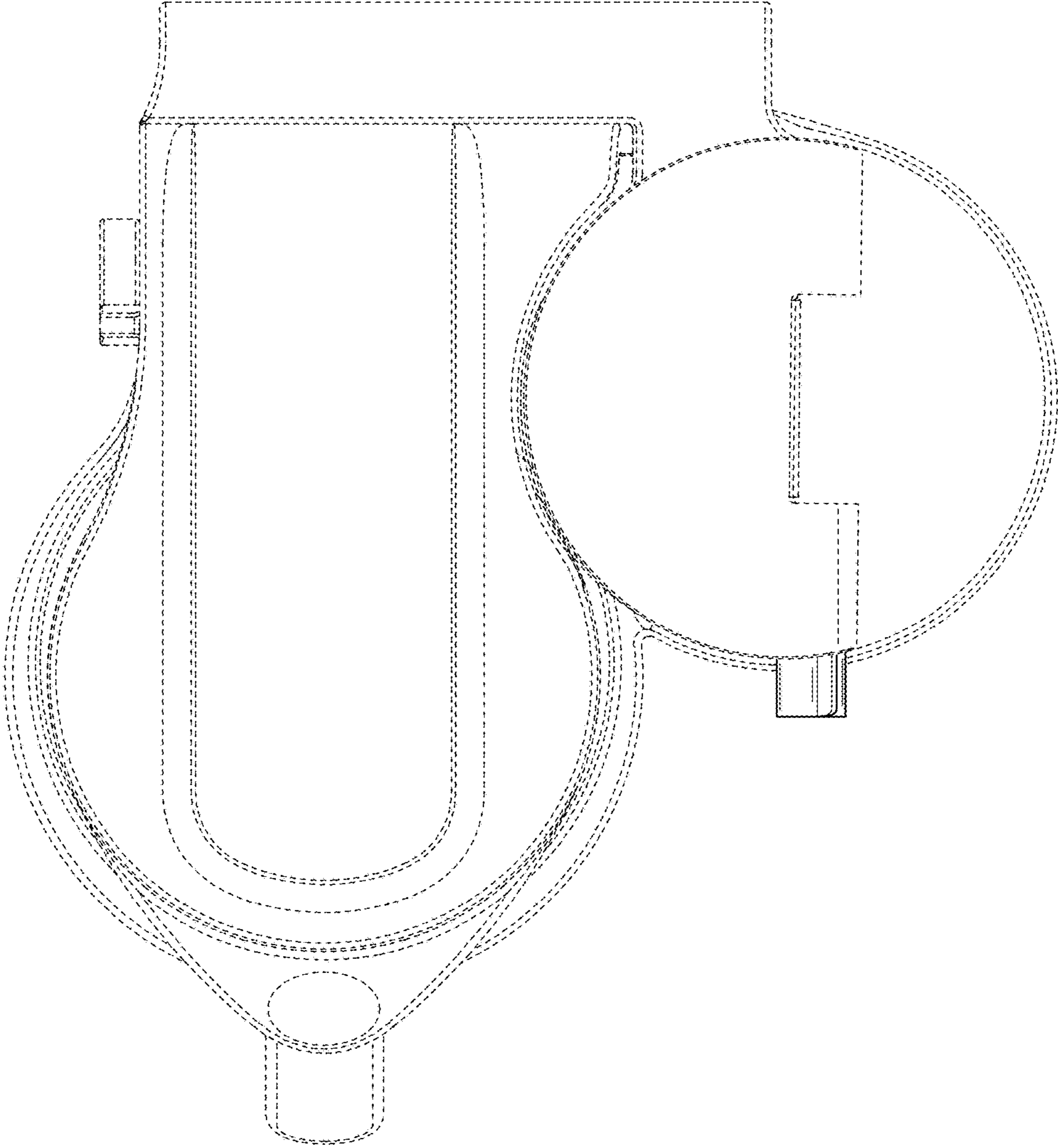


FIG. 6

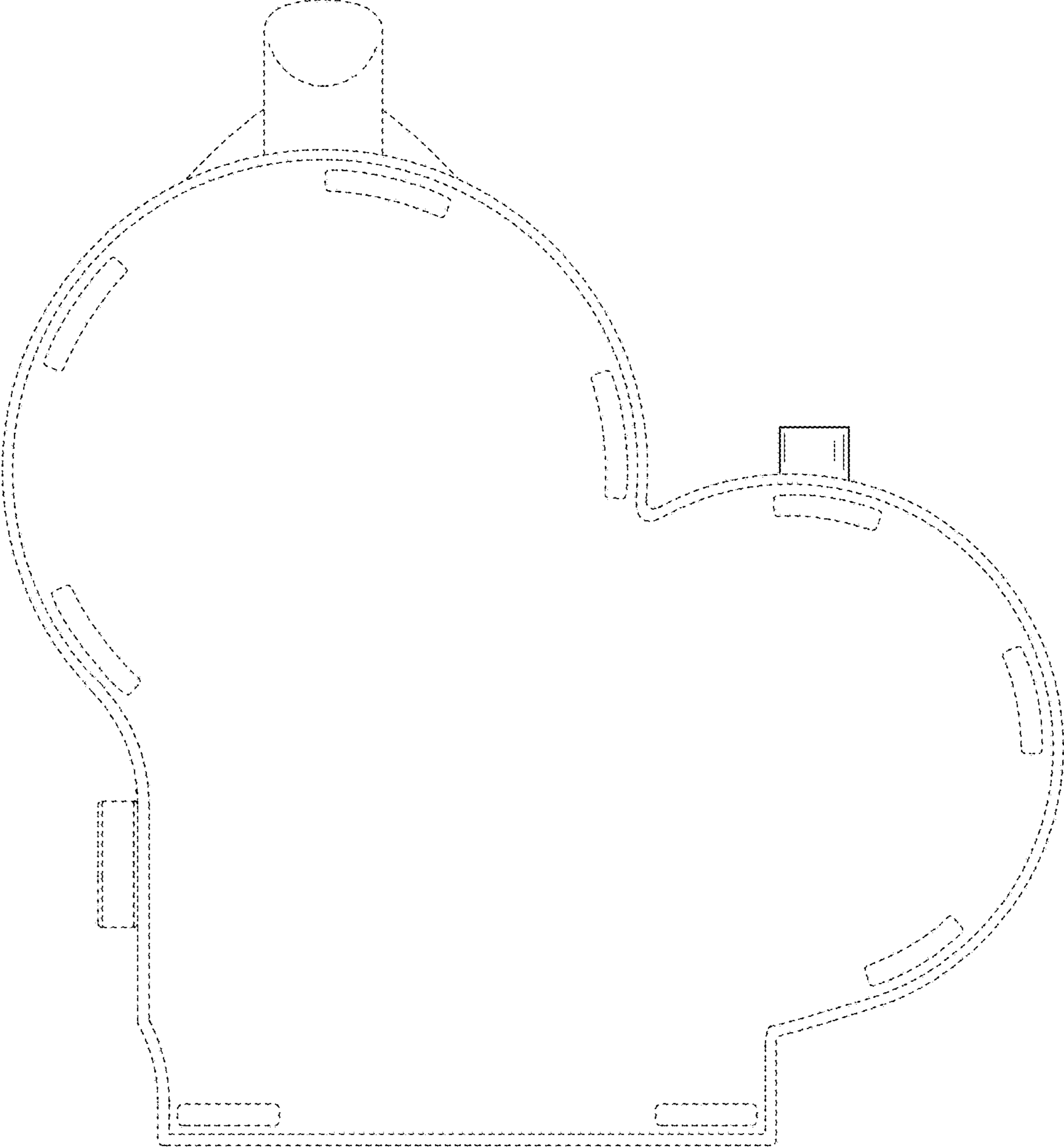


FIG. 7

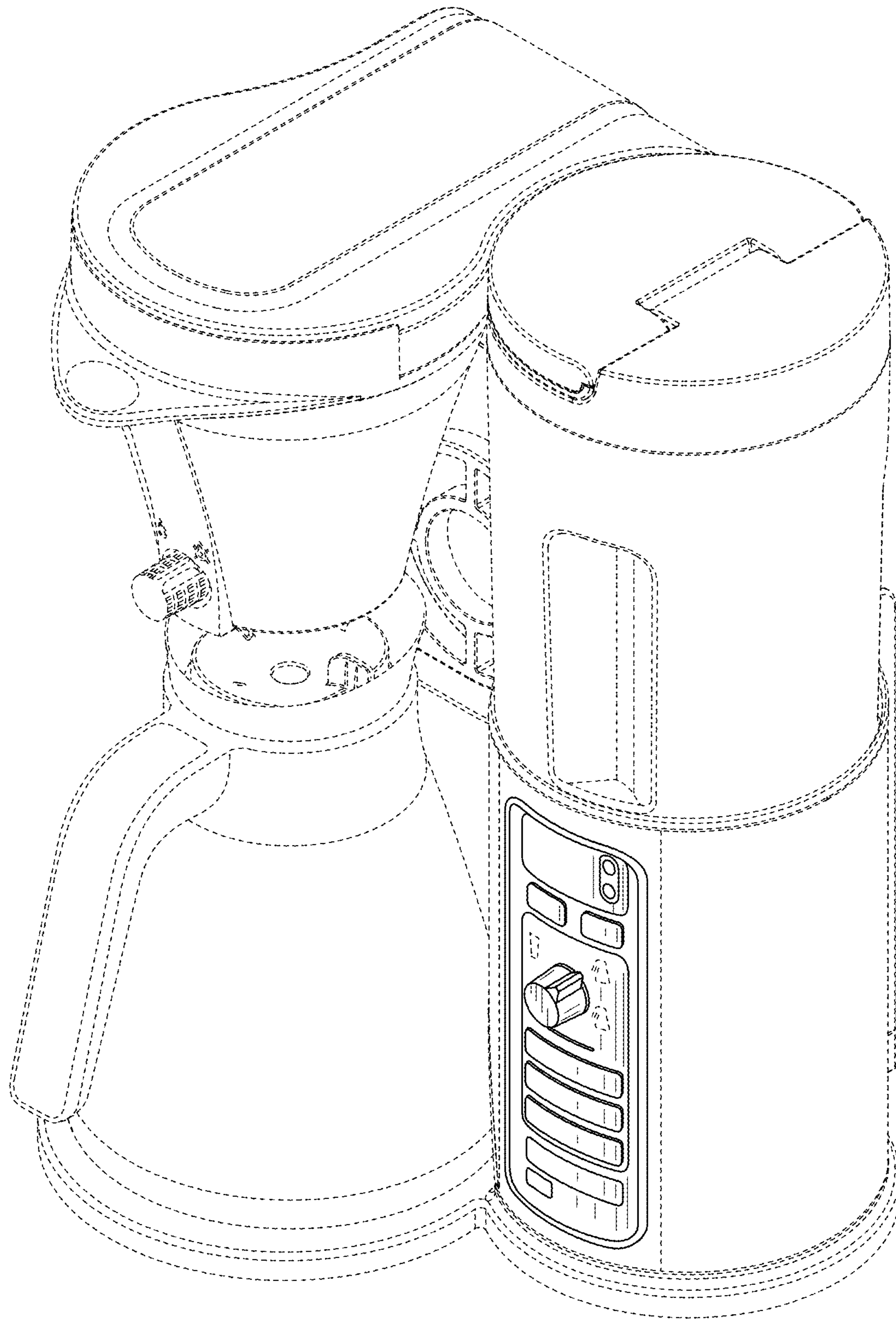


FIG. 8

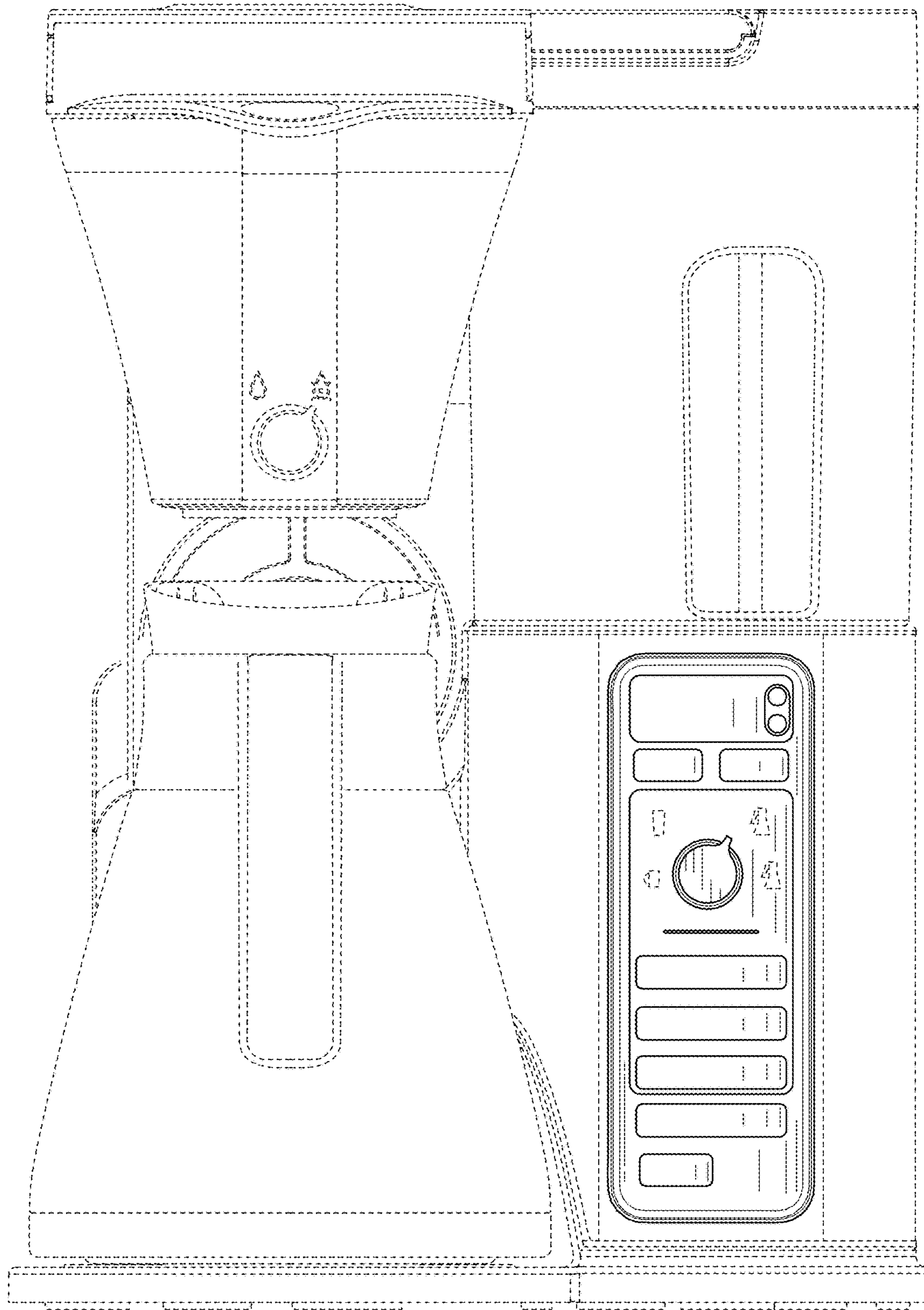


FIG. 9

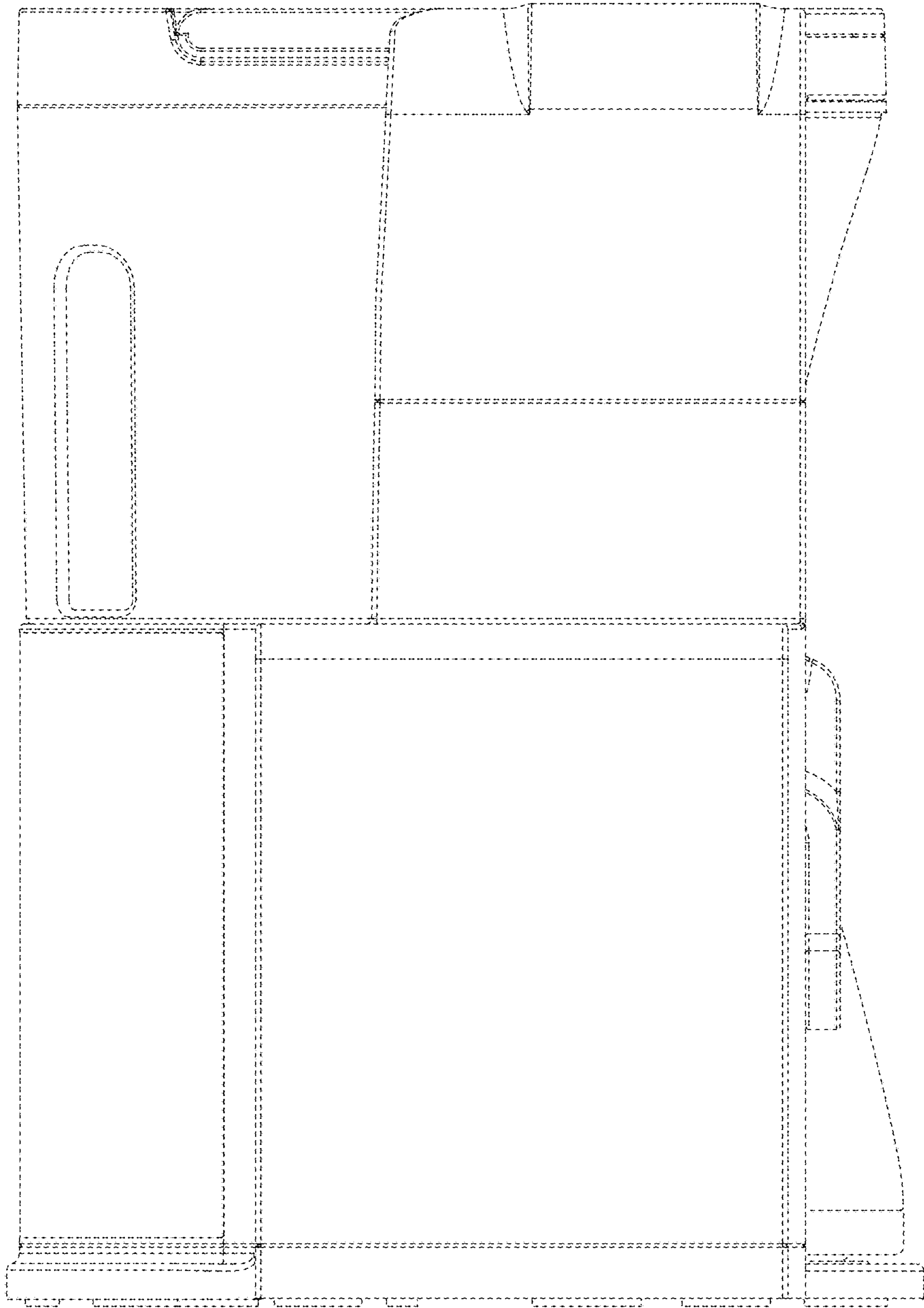


FIG. 10

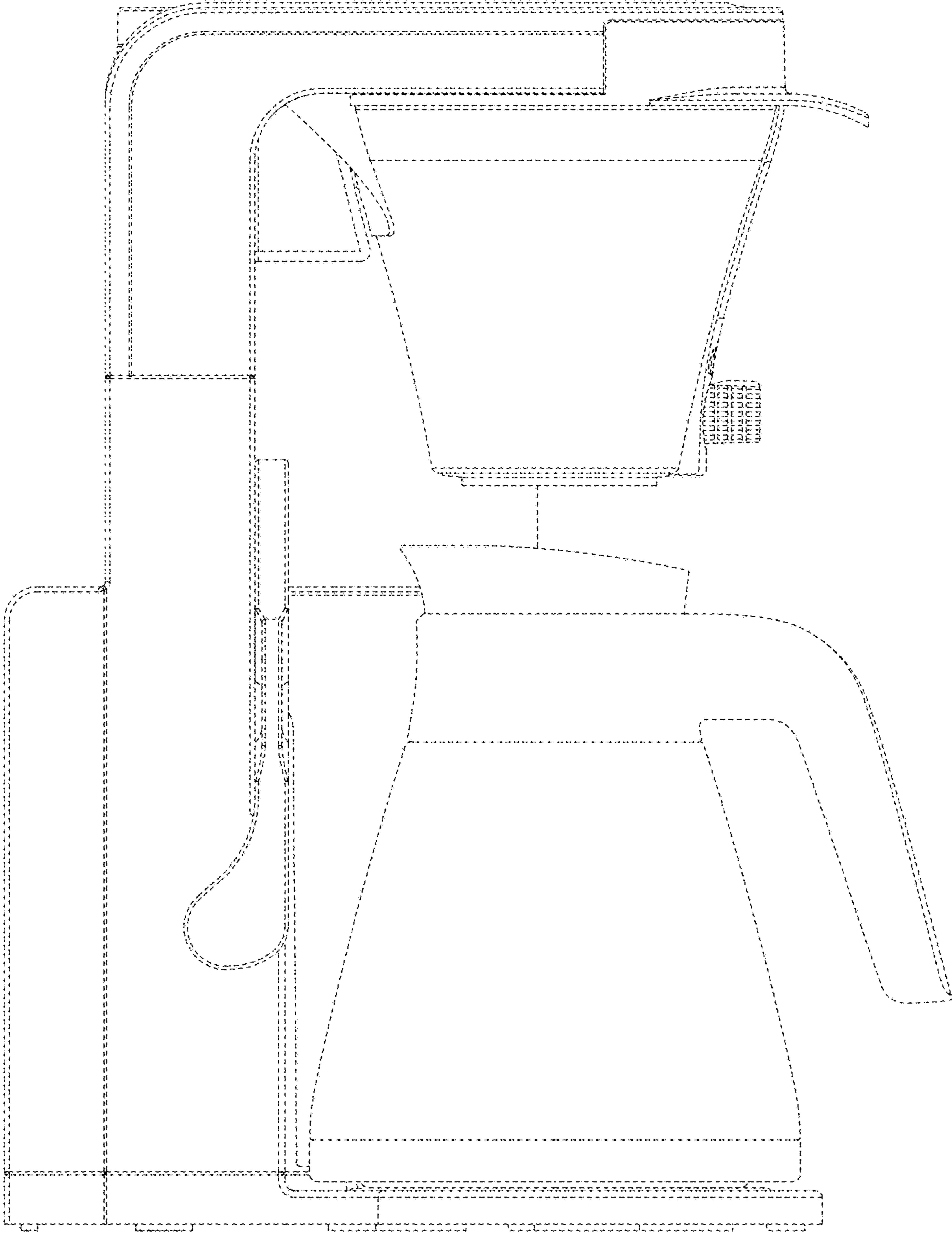


FIG. 11

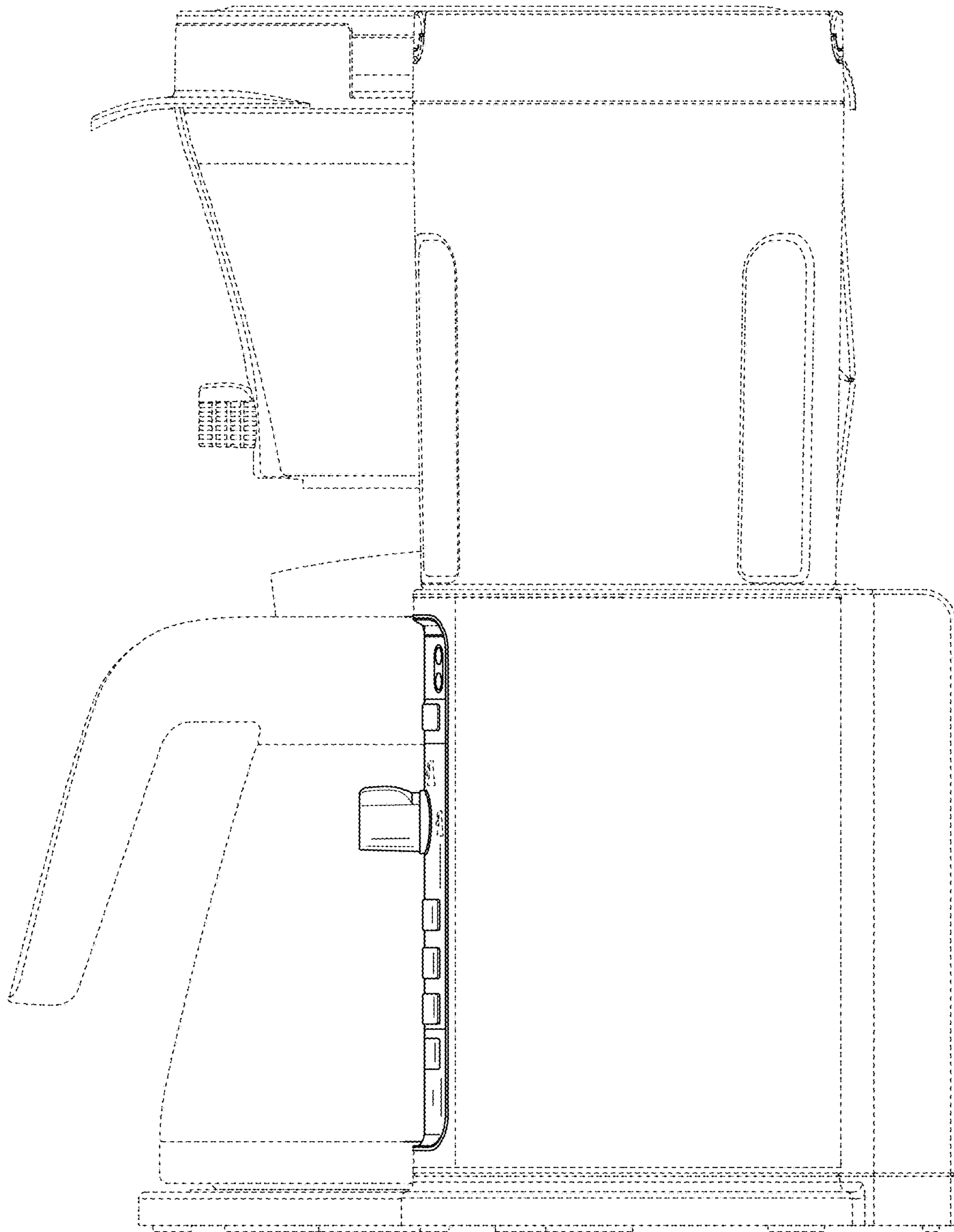


FIG. 12

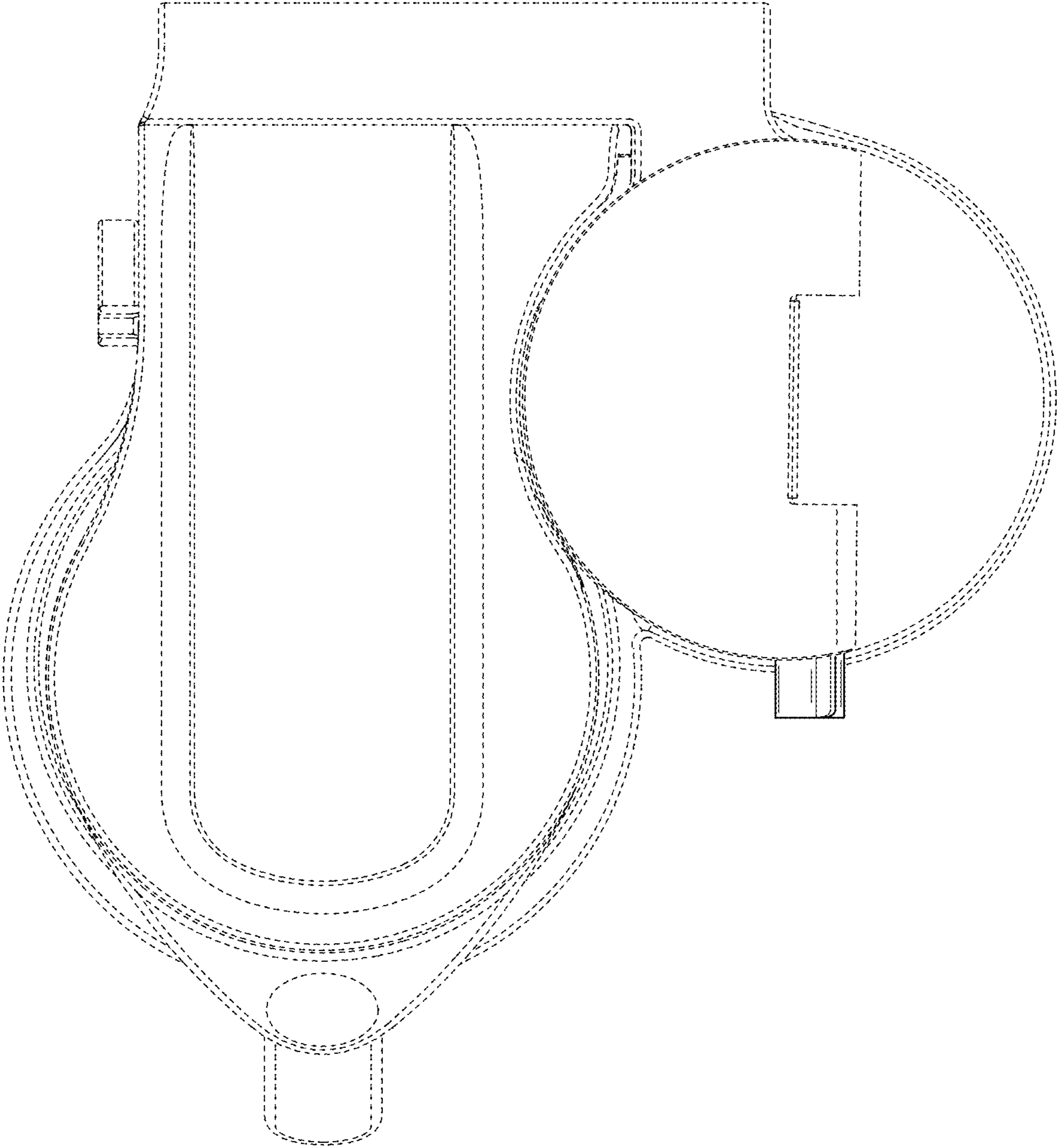


FIG. 13

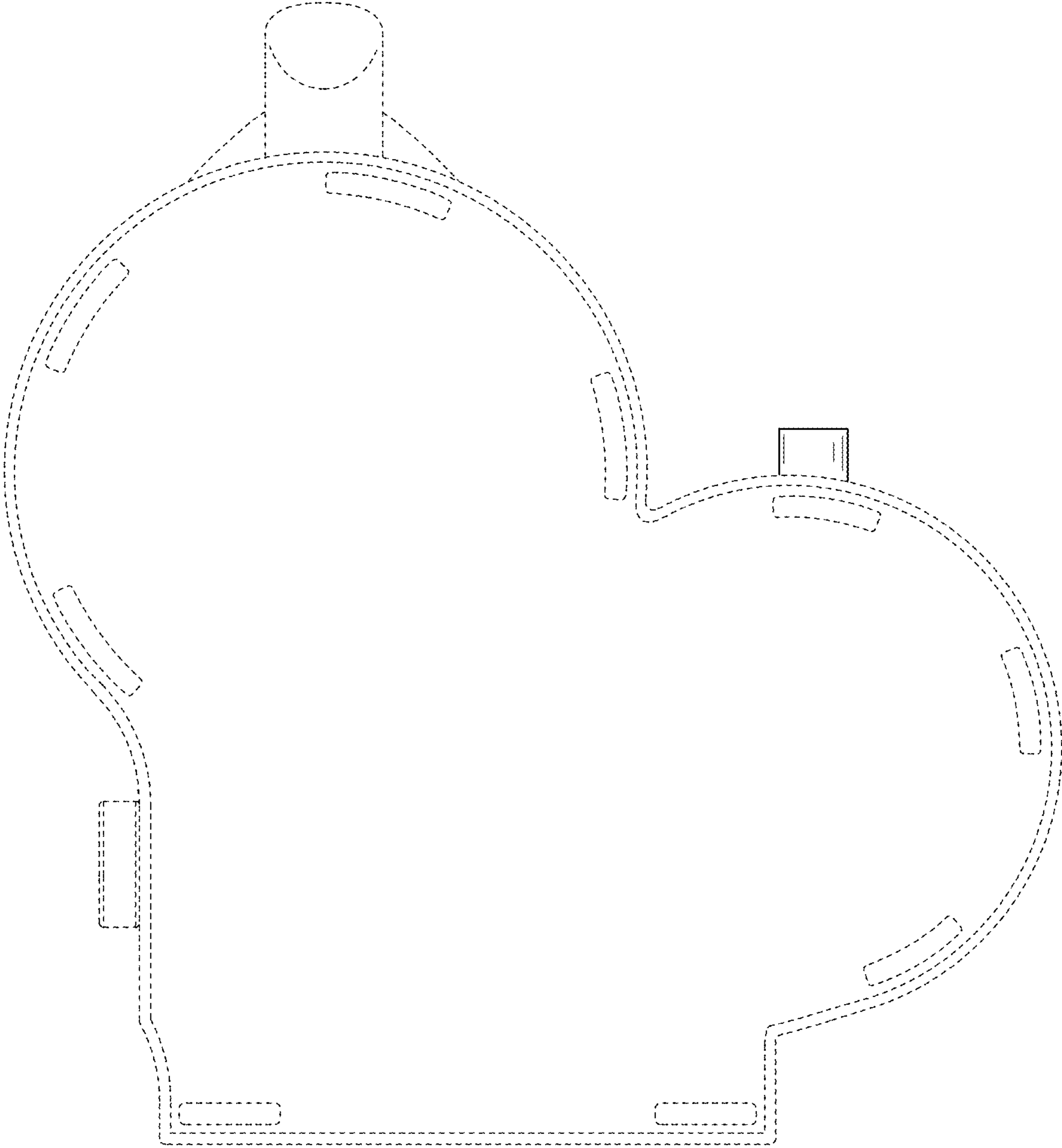


FIG. 14