



US00D811162S

(12) **United States Design Patent**
Rane et al.

(10) **Patent No.:** **US D811,162 S**
(45) **Date of Patent:** **** Feb. 27, 2018**

(54) **LID**

(71) Applicant: **YETI Coolers, LLC**, Austin, TX (US)

(72) Inventors: **Mark Rane**, Austin, TX (US); **Dustin Bullock**, Austin, TX (US); **Ian Cunningham**, Austin, TX (US)

(73) Assignee: **YETI Coolers, LLC**, Austin, TX (US)

(**) Term: **15 Years**

(21) Appl. No.: **29/587,370**

(22) Filed: **Dec. 13, 2016**

(51) **LOC (11) Cl.** **07-01**

(52) **U.S. Cl.**
USPC **D7/396.2**; D9/449

(58) **Field of Classification Search**
USPC D7/316, 392, 392.1, 396.2, 397, 510,
D7/533; D9/434–436, 438, 439, 440,
D9/443, 444, 447–450, 452–454, 499,
D9/549, 715, 717–719; D23/260, 269,
D23/390
CPC B65D 25/42
See application file for complete search history.

(56) **References Cited**

U.S. PATENT DOCUMENTS

164,198 A	6/1875	Barber
573,212 A	12/1896	Friedman et al.
1,372,115 A	3/1921	Bennis
1,441,364 A	1/1923	Marshall
2,717,726 A	9/1955	Mart
2,727,658 A	12/1955	Mart
2,828,895 A	4/1958	Mart
2,839,227 A	6/1958	Burlinson
2,883,091 A	4/1959	Barravecchia

(Continued)

FOREIGN PATENT DOCUMENTS

CA	134384	11/2010
CA	157772	6/2015

(Continued)

OTHER PUBLICATIONS

Amazon. Glink—Straw Lid/Cap Hydro Flask Standard Mouth Sports Water Bottle with 2 Plastic Straws, Multi-Compatible with Standard Mouth Stainless Steel Water Bottles. Oct. 11, 2016 [earliest online date], [site visited Jul. 31, 2017]. Available from Internet, <URL:https://www.amazon.com/Glink-Standard-Plastic-Multi-Compatible-Stainless/dp/B01MREDI8K>.*

Primary Examiner — Robert M Spear

Assistant Examiner — Darcey E Heflin

(74) *Attorney, Agent, or Firm* — Banner & Witcoff, Ltd.

(57) **CLAIM**

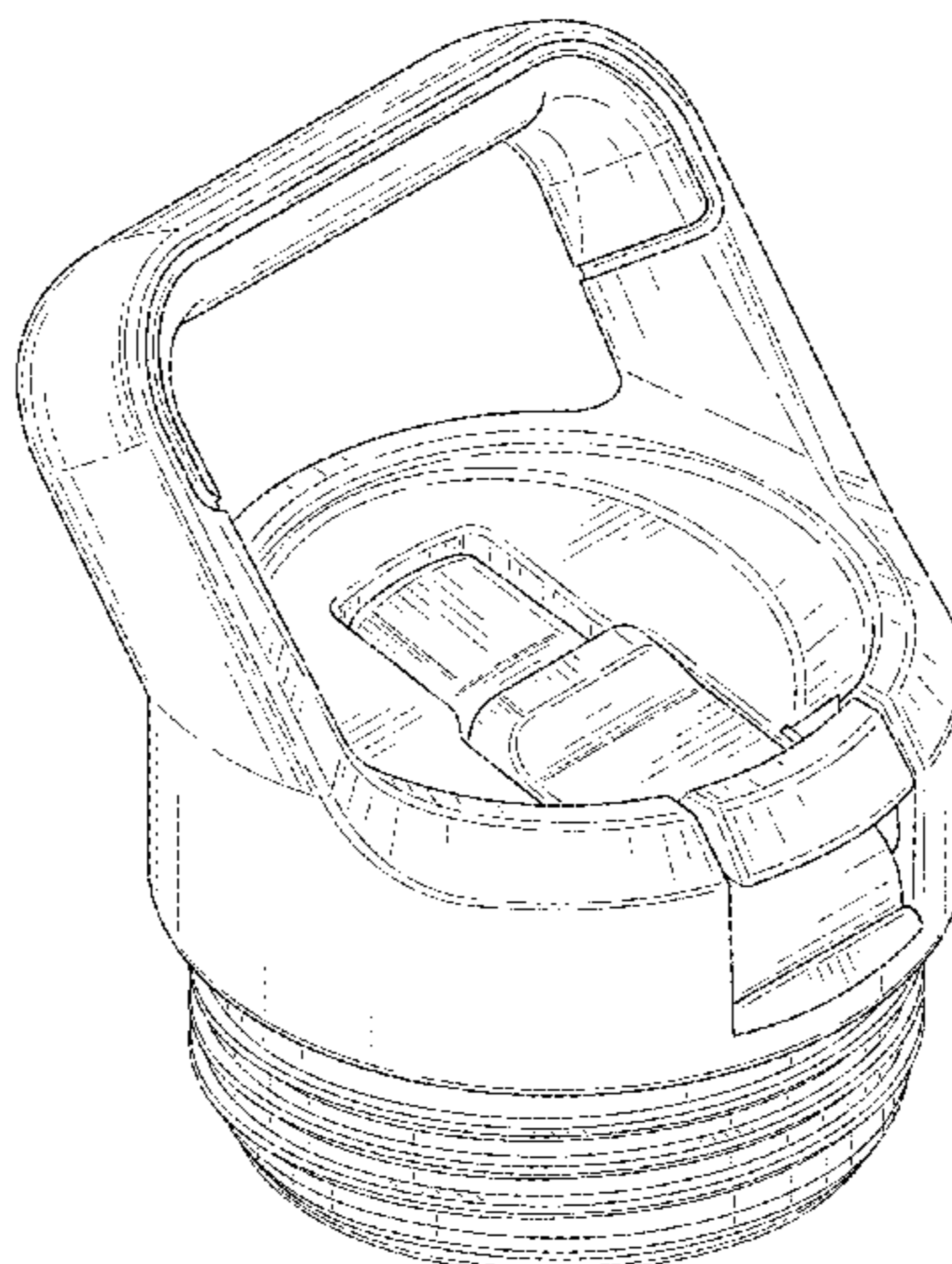
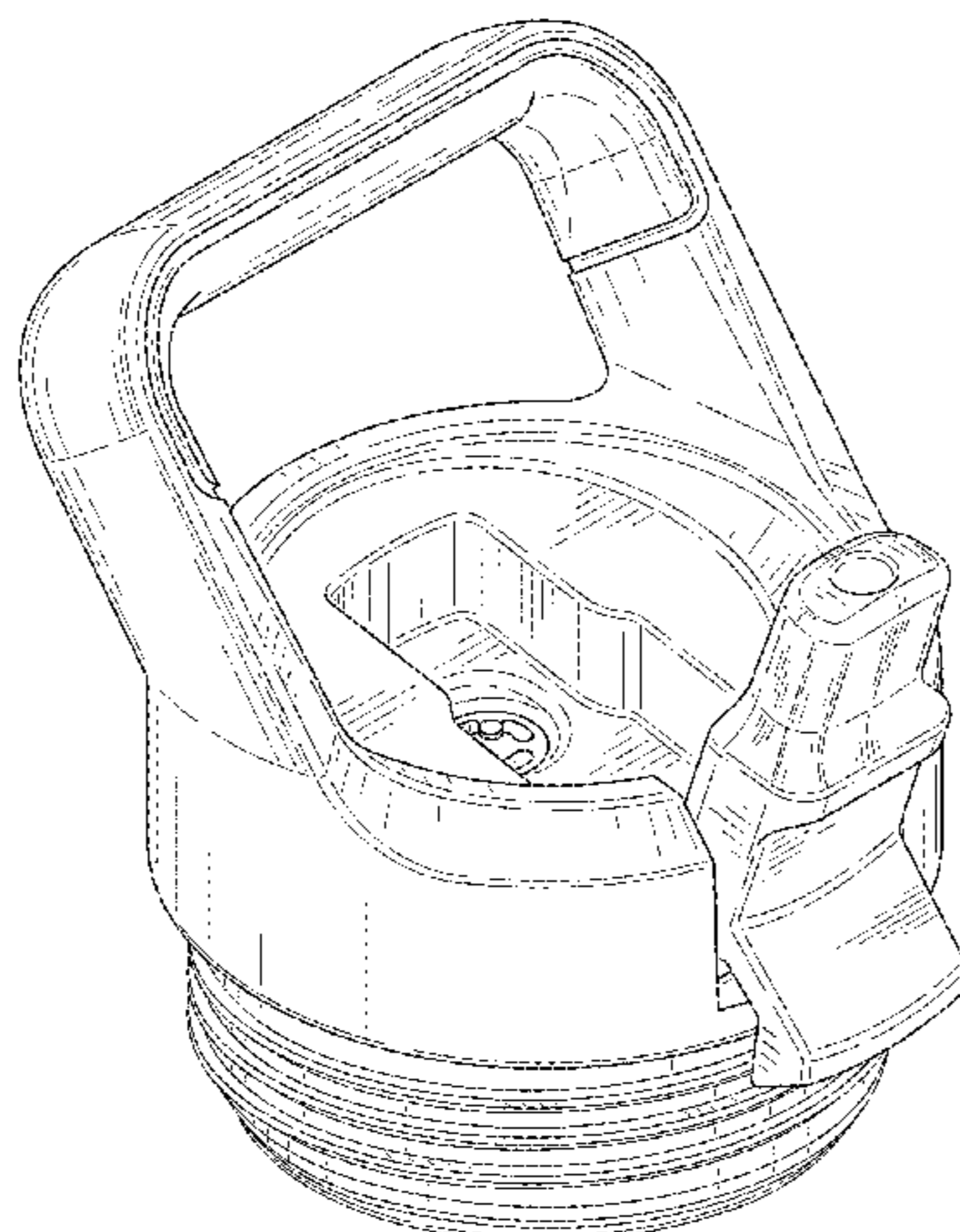
The ornamental design for a lid, as shown and described.

DESCRIPTION

FIG. 1 is a top, front, left perspective view of a lid showing our new design in an open position;
FIG. 2 is a front view thereof;
FIG. 3 is a rear view thereof;
FIG. 4 is a right side view thereof;
FIG. 5 is a left side view thereof;
FIG. 6 is a top view thereof;
FIG. 7 is a bottom view thereof;
FIG. 8 is a top, front, left perspective view of a lid showing our new design in a closed position;
FIG. 9 is a front view thereof;
FIG. 10 is a rear view thereof;
FIG. 11 is a right side view thereof;
FIG. 12 is a left side view thereof;
FIG. 13 is a top view thereof; and,
FIG. 14 is a bottom view thereof.

In the drawings, the claim is limited to the shaded surfaces. The broken lines showing portions of a lid depict environment and form no part of the claim.

1 Claim, 14 Drawing Sheets



(56)

References Cited

U.S. PATENT DOCUMENTS

2,916,190	A	12/1959	Furn	7,913,869	B2	3/2011	Cuocolo, Jr.	
2,936,934	A	5/1960	Kubiliunas	D638,658	S	5/2011	Staton	
3,023,939	A	3/1962	Gustafson	D649,879	S	12/2011	Gullickson et al.	
3,055,556	A	9/1962	Hester	D651,847	S *	1/2012	Gilbert	D7/392.1
3,089,626	A	5/1963	Kubiliunas	D652,256	S	1/2012	Eyal	
3,163,337	A	12/1964	Wilson	D653,081	S	1/2012	George	
3,181,743	A	5/1965	Newby	8,191,727	B2	6/2012	Davies et al.	
3,251,516	A	5/1966	Thomas	D668,116	S	10/2012	Eyal	
3,318,494	A	5/1967	Mathison	D669,310	S	10/2012	Barreto et al.	
RE26,318	E	12/1967	Wilson	D669,732	S	10/2012	Hopkins et al.	
3,477,618	A	11/1969	Hazard	D672,609	S	12/2012	Aziz et al.	
3,495,745	A	2/1970	Akers	8,376,162	B2	2/2013	Yang	
3,502,248	A	3/1970	Libit	8,376,173	B2	2/2013	Britto et al.	
3,653,546	A	4/1972	Hazard	D679,541	S	4/2013	Samartgis	
3,655,099	A	4/1972	Hazard	8,408,414	B2	4/2013	Roth et al.	
3,655,103	A	4/1972	Hazard	D682,034	S	5/2013	El-Saden et al.	
3,718,238	A	2/1973	Hazard et al.	D683,581	S	6/2013	Archer	
3,776,428	A	12/1973	Hazard	D685,606	S	7/2013	Keys et al.	
3,782,577	A	1/1974	Levey	D688,093	S	8/2013	Roth et al.	
3,786,964	A	1/1974	Landen	8,550,269	B2	10/2013	Lane	
3,863,818	A	2/1975	Hazard	8,602,238	B2	12/2013	El-Saden et al.	
3,873,005	A	3/1975	Hazard	D700,012	S	2/2014	Hurley et al.	
3,881,643	A	5/1975	LaVange	D700,014	S	2/2014	Zeanah	
3,957,181	A	5/1976	Hazard	8,662,359	B1	3/2014	Hickey	
4,015,756	A	4/1977	Beck	8,672,155	B2	3/2014	Knierbein et al.	
4,081,113	A	3/1978	Hazard	8,672,174	B1	3/2014	McMullin	
4,282,991	A	8/1981	Hazard	D701,727	S	4/2014	Gilbert	
4,440,327	A	4/1984	Dark	8,689,989	B2	4/2014	Lane	
4,674,661	A	6/1987	Herold	8,695,830	B2	4/2014	Meyers et al.	
4,756,451	A	7/1988	Wilson	D704,986	S	5/2014	Manies	
4,903,870	A	2/1990	La Vange	D707,124	S	6/2014	Blain et al.	
5,085,336	A	2/1992	Lynd	D712,254	S *	9/2014	Geis	D9/436
5,203,468	A	4/1993	Hsu	D712,255	S *	9/2014	Geis	D9/436
5,242,079	A	9/1993	Stephens et al.	8,827,099	B2	9/2014	Joy et al.	
5,259,538	A	11/1993	Tardif	8,839,974	B2	9/2014	Brandenburger et al.	
5,273,172	A	12/1993	Rossbach et al.	8,844,746	B2	9/2014	Meyers et al.	
D351,761	S	10/1994	Feer	D716,657	S	11/2014	Caneer	
5,392,968	A	2/1995	Dark	D717,103	S	11/2014	Wilbur	
5,477,994	A	12/1995	Feer et al.	D719,444	S	12/2014	Sullivan	
D366,809	S	2/1996	Green	D719,780	S	12/2014	Sullivan	
D367,206	S	2/1996	Green	D720,218	S	12/2014	Hutson et al.	
D370,828	S	6/1996	Green	D721,276	S	1/2015	Herbst	
D371,048	S	6/1996	Green	8,939,305	B2	1/2015	Meyers et al.	
D387,621	S	12/1997	Sullivan et al.	D723,332	S	3/2015	Steel	
D396,380	S *	7/1998	Lai	D724,384	S	3/2015	Donovan et al.	
5,797,521	A	8/1998	Sobral	9,010,952	B2	4/2015	Lenahan et al.	
5,873,478	A	2/1999	Sullivan et al.	D729,569	S	5/2015	Herbst et al.	
5,884,793	A	3/1999	Wang	D730,694	S	6/2015	Elsaden et al.	
D408,220	S	4/1999	Chomik	D732,892	S	6/2015	Keys et al.	
5,961,010	A	10/1999	Smith	D734,151	S	7/2015	Herbst	
6,050,433	A	4/2000	Russell et al.	9,079,205	B2	7/2015	Hoskins	
6,119,898	A	9/2000	Dark	9,113,698	B2	8/2015	Blain et al.	
6,161,728	A	12/2000	Dark	D739,174	S *	9/2015	Elsaden	D7/392.1
D447,004	S	8/2001	Green	D742,174	S	11/2015	Roth et al.	
6,390,341	B1	5/2002	Ohmi et al.	D742,230	S	11/2015	Charles	
6,523,711	B1	2/2003	Hughes et al.	9,216,843	B2	12/2015	Sorensen et al.	
6,609,624	B2	8/2003	Goto et al.	9,221,585	B1	12/2015	Wang	
6,619,518	B1	9/2003	Lee	D747,924	S	1/2016	Roth et al.	
6,662,972	B2	12/2003	Chu	D748,429	S	2/2016	Lv	
D489,225	S	5/2004	Leinenweber	D748,943	S	2/2016	Miller et al.	
6,796,464	B1	9/2004	Tung	D750,428	S	3/2016	Keys et al.	
7,059,490	B2	6/2006	Son	9,272,822	B2	3/2016	Samartgis	
D524,909	S *	7/2006	Bakke	D752,916	S *	4/2016	Goodwin	D7/392.1
7,124,917	B2	10/2006	Lee	9,320,375	B2	4/2016	Sweeney et al.	
7,152,767	B2	12/2006	Seelhofer	9,324,387	B2	4/2016	Kim	
D547,607	S	7/2007	Forsman	D756,702	S	5/2016	Joseph et al.	
7,516,862	B2	4/2009	McDonough	D758,127	S *	6/2016	Zhao	D7/392.1
D592,905	S	5/2009	Pinelli et al.	D760,080	S	6/2016	Gorbald	
D592,913	S	5/2009	Pinelli et al.	D760,586	S *	7/2016	Seiders	D7/392.1
7,533,783	B2	5/2009	Choi et al.	9,380,898	B2	7/2016	Mason	
D620,754	S	8/2010	Duke	9,392,893	B2	7/2016	Sorensen et al.	
7,766,057	B2	8/2010	Windmiller	D763,688	S	8/2016	Breit et al.	
D626,837	S	11/2010	Meyers et al.	D767,336	S	9/2016	Waggoner et al.	
D626,838	S	11/2010	Meyers et al.	D767,337	S	9/2016	Boroski et al.	
D632,176	S	2/2011	McKinney et al.	9,439,524	B2	9/2016	Liang	
				D777,508	S *	1/2017	Goodwin	D7/392.1
				D780,577	S *	3/2017	Seiders	D7/392.1
				D781,145	S *	3/2017	Seiders	D7/392.1
				D781,146	S *	3/2017	Seiders	D7/392.1

(56)

References Cited

U.S. PATENT DOCUMENTS

D781,640 S * 3/2017 Roth D7/300.2
 D786,671 S * 5/2017 Khetarpaul D7/394
 D790,285 S * 6/2017 Seiders D7/608
 D791,532 S * 7/2017 Yao D7/392.1
 D792,216 S * 7/2017 Breit D9/443
 2005/0150916 A1 7/2005 De Laforcade
 2008/0128418 A1 6/2008 Ahn
 2008/0272122 A1 11/2008 Son
 2009/0026218 A1 1/2009 Wong
 2009/0120946 A1 5/2009 Hung
 2010/0193462 A1 8/2010 Roth et al.
 2012/0129127 A1 5/2012 Boehm et al.
 2012/0181277 A1 7/2012 Wang-Wu
 2012/0305559 A1 12/2012 Steininger
 2013/0140316 A1 6/2013 Flowers et al.
 2014/0353275 A1 12/2014 Hung
 2015/0001257 A1 1/2015 Sell
 2015/0069079 A1 3/2015 Son
 2015/0353259 A1 12/2015 Burden
 2016/0207672 A1 7/2016 Wong
 2017/0283132 A1 10/2017 Sorensen et al.

FOREIGN PATENT DOCUMENTS

CA 159557 6/2015
 CA 162963 1/2016
 CN 301899162 5/2012
 CN 302872285 7/2014
 CN 302872286 7/2014
 CN 303028240 12/2014

CN 303081221 1/2015
 CN 303213763 5/2015
 CN 303344745 8/2015
 CN 303346260 8/2015
 CN 303407421 10/2015
 CN 303435461 11/2015
 CN 303528488 12/2015
 CN 303602375 3/2016
 CN 303639541 4/2016
 CN 303688752 6/2016
 CN 303688753 6/2016
 CN 303697502 6/2016
 CN 303708071 6/2016
 CN 303716155 6/2016
 CN 303734775 7/2016
 CN 303822788 8/2016
 DE 402015001125-0001 3/2016
 EM 001981911-0001 1/2012
 EM 001981911-0002 1/2012
 EM 001981911-0003 1/2012
 EM 001981911-0004 1/2012
 EM 002491571-0001 8/2014
 EM 003163369-0007 6/2016
 EM 003163369-0012 6/2016
 EM 003125830-0001 7/2016
 EM 003125830-0003 7/2016
 EM 003125830-0004 7/2016
 EM 003298629-0002 9/2016
 GB 2045987 7/1995
 JP D1525152 6/2015
 KR 3008064250001 7/2015
 MX 042045-0001 8/2014
 MX 0343759-0001 5/2015

* cited by examiner

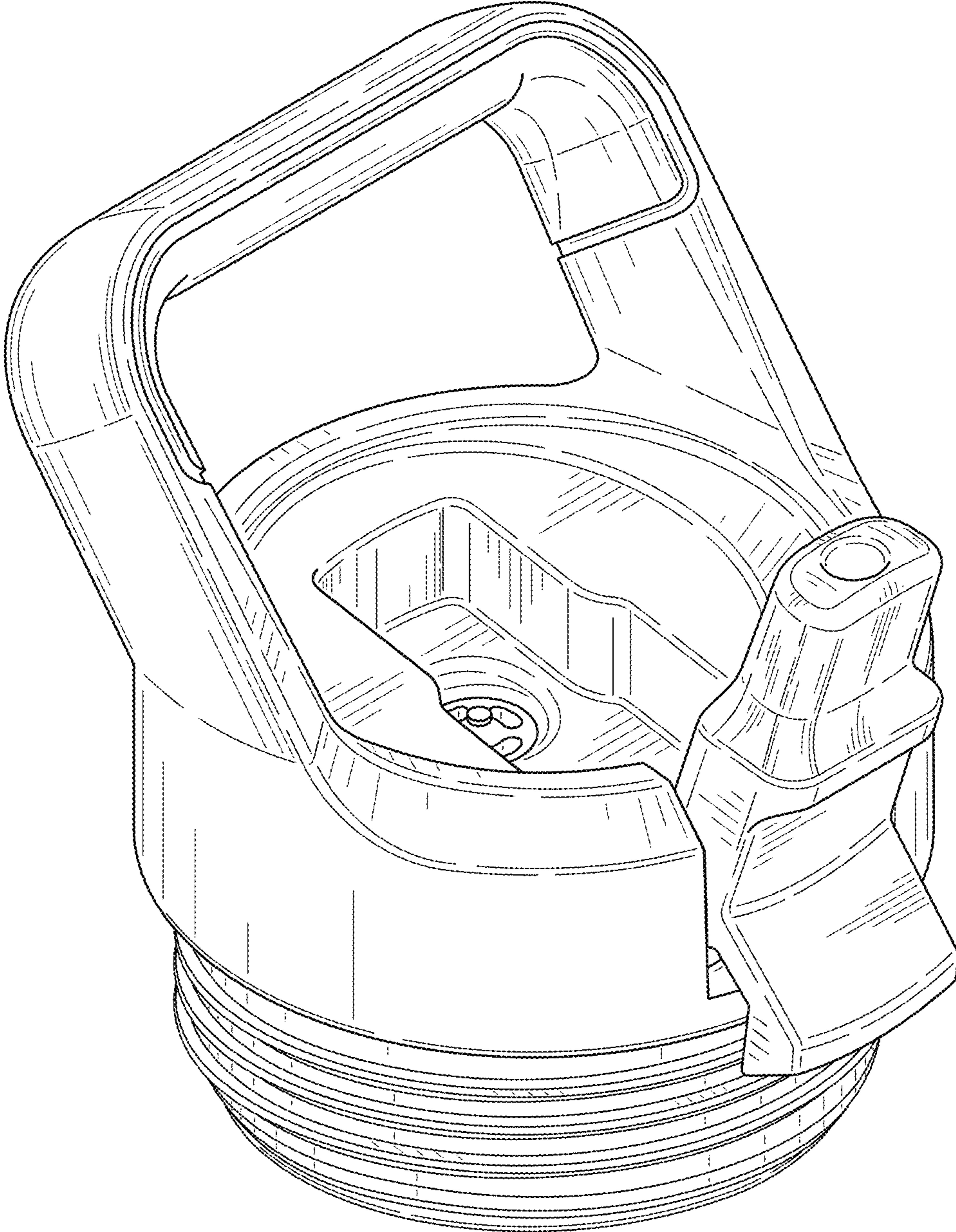


FIG. 1

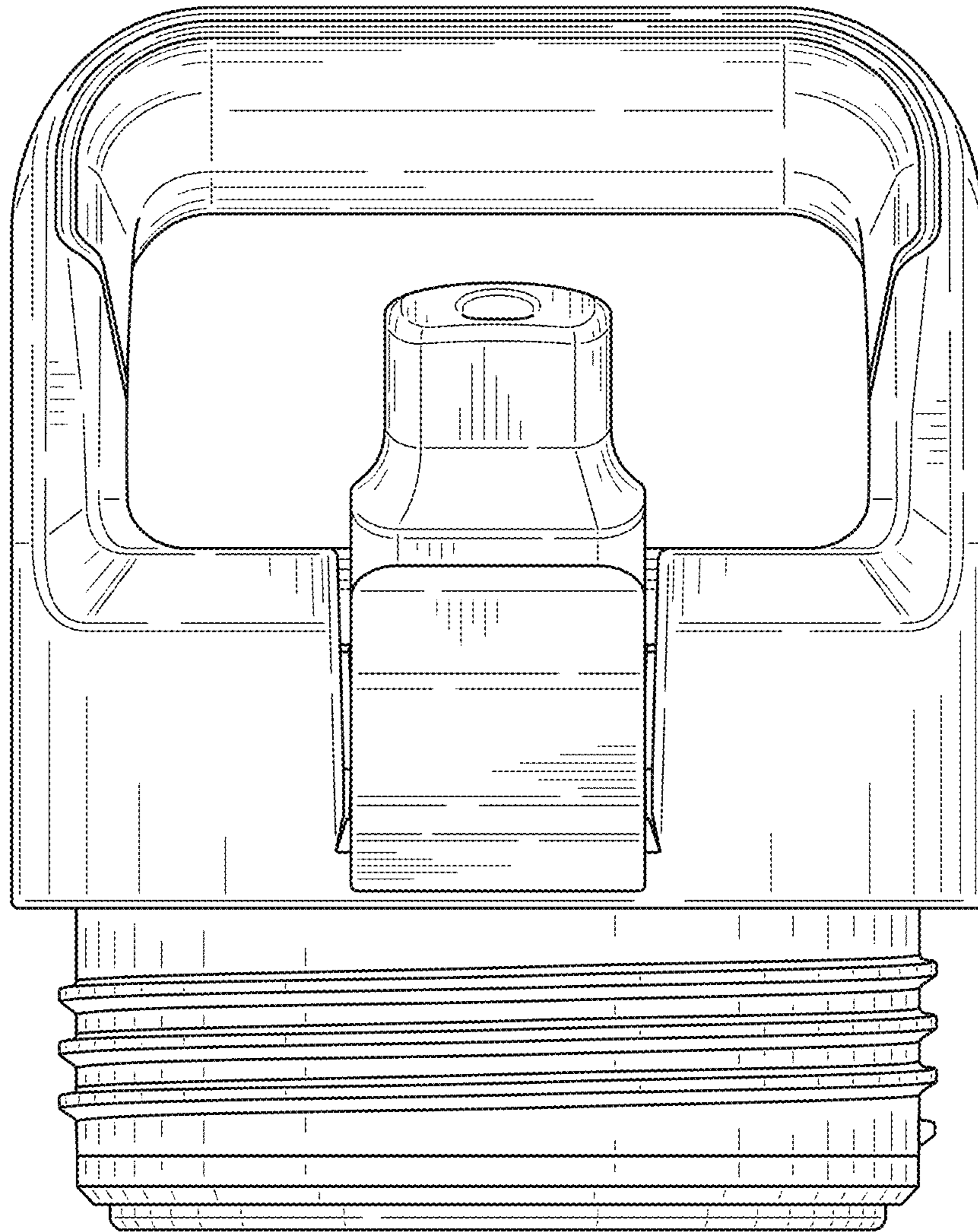


FIG. 2

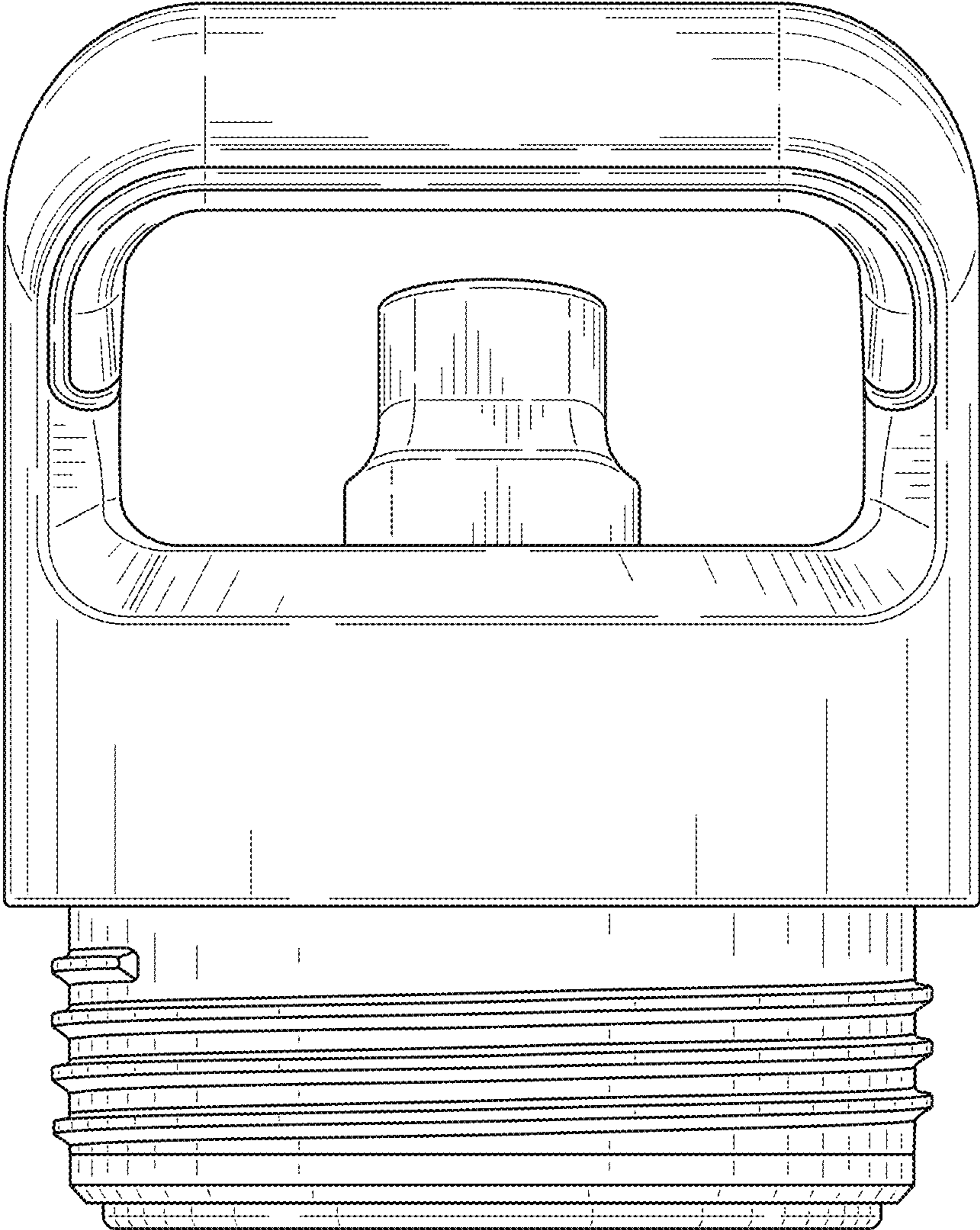


FIG. 3

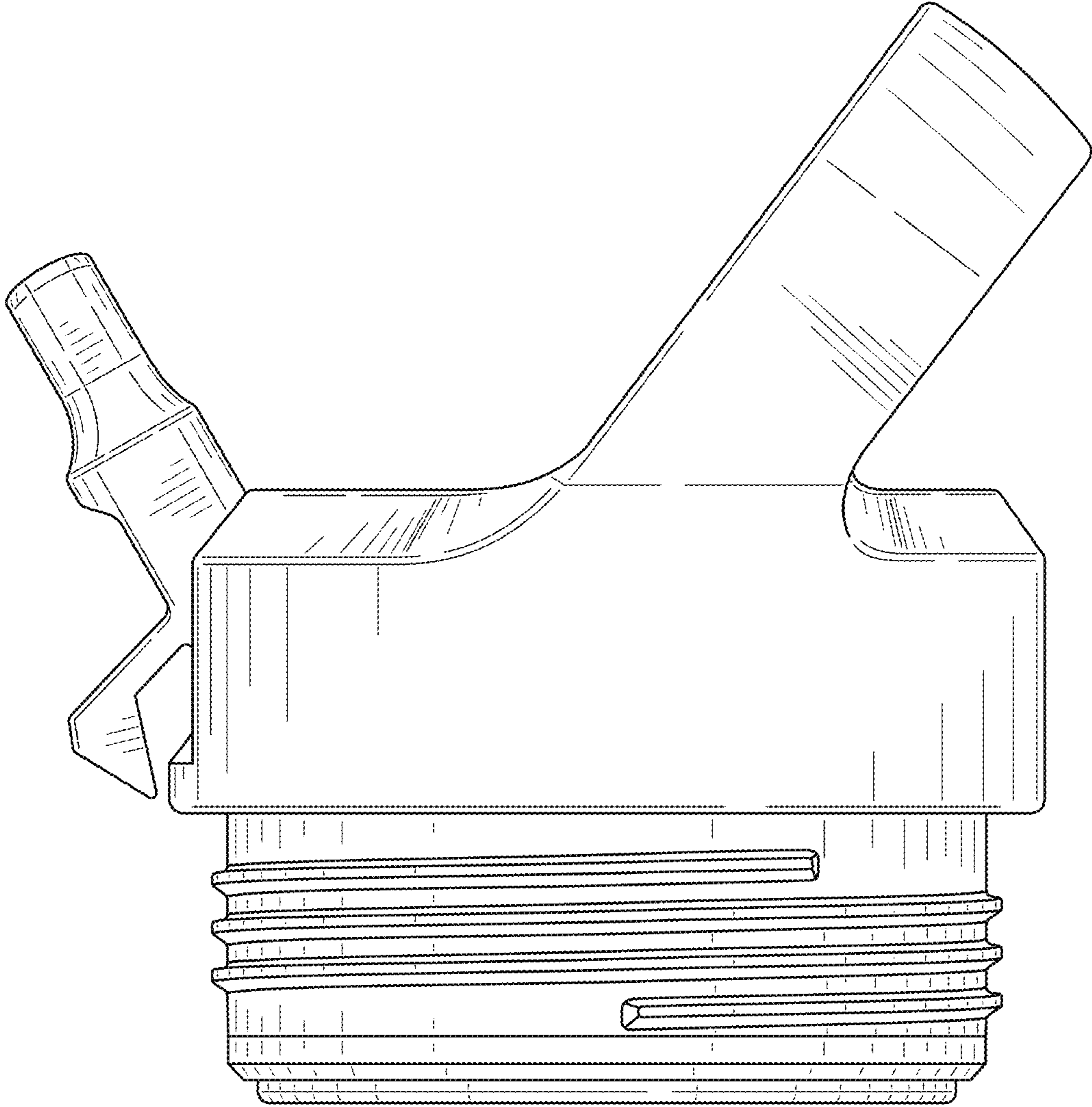


FIG. 4

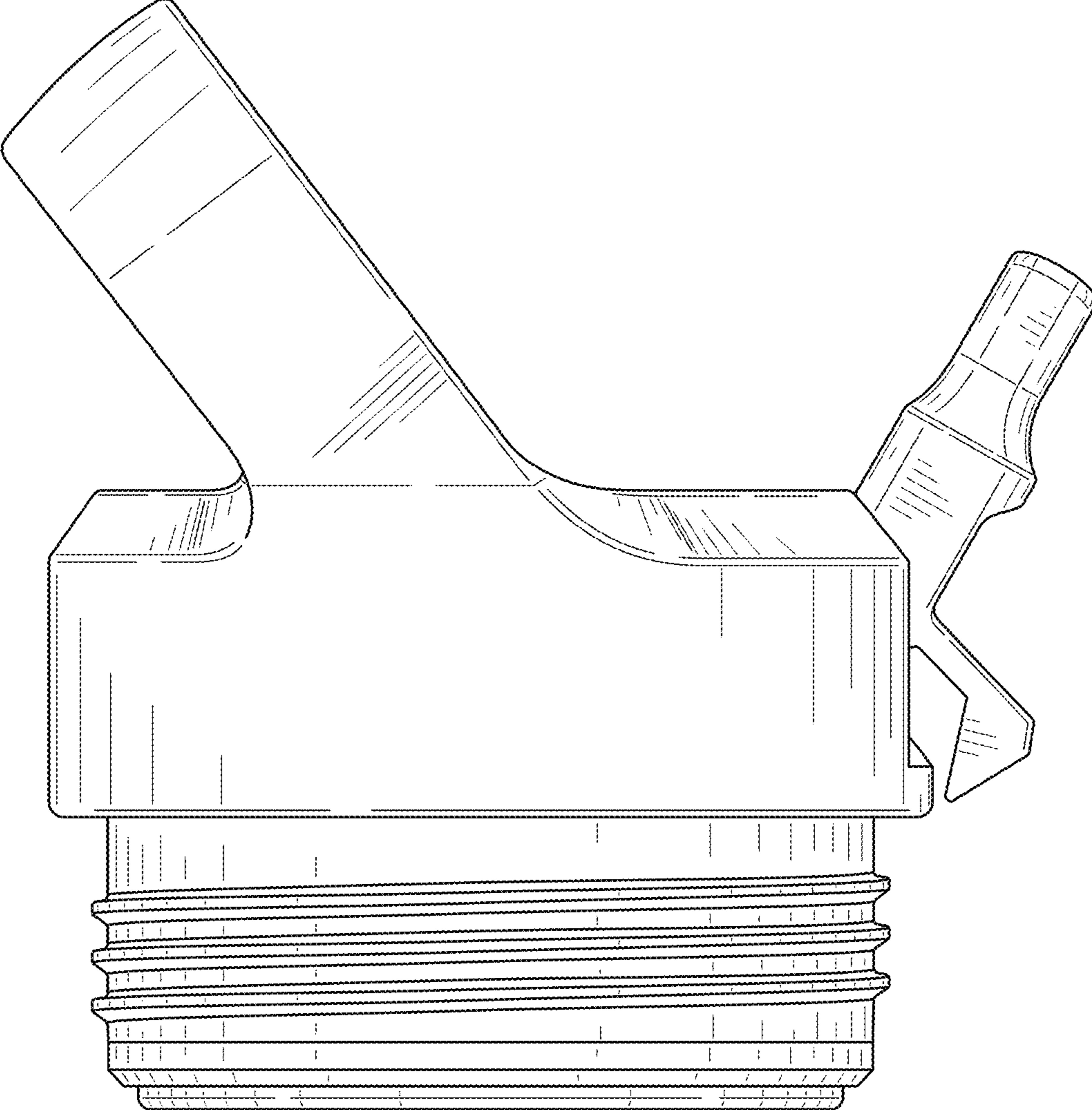


FIG. 5

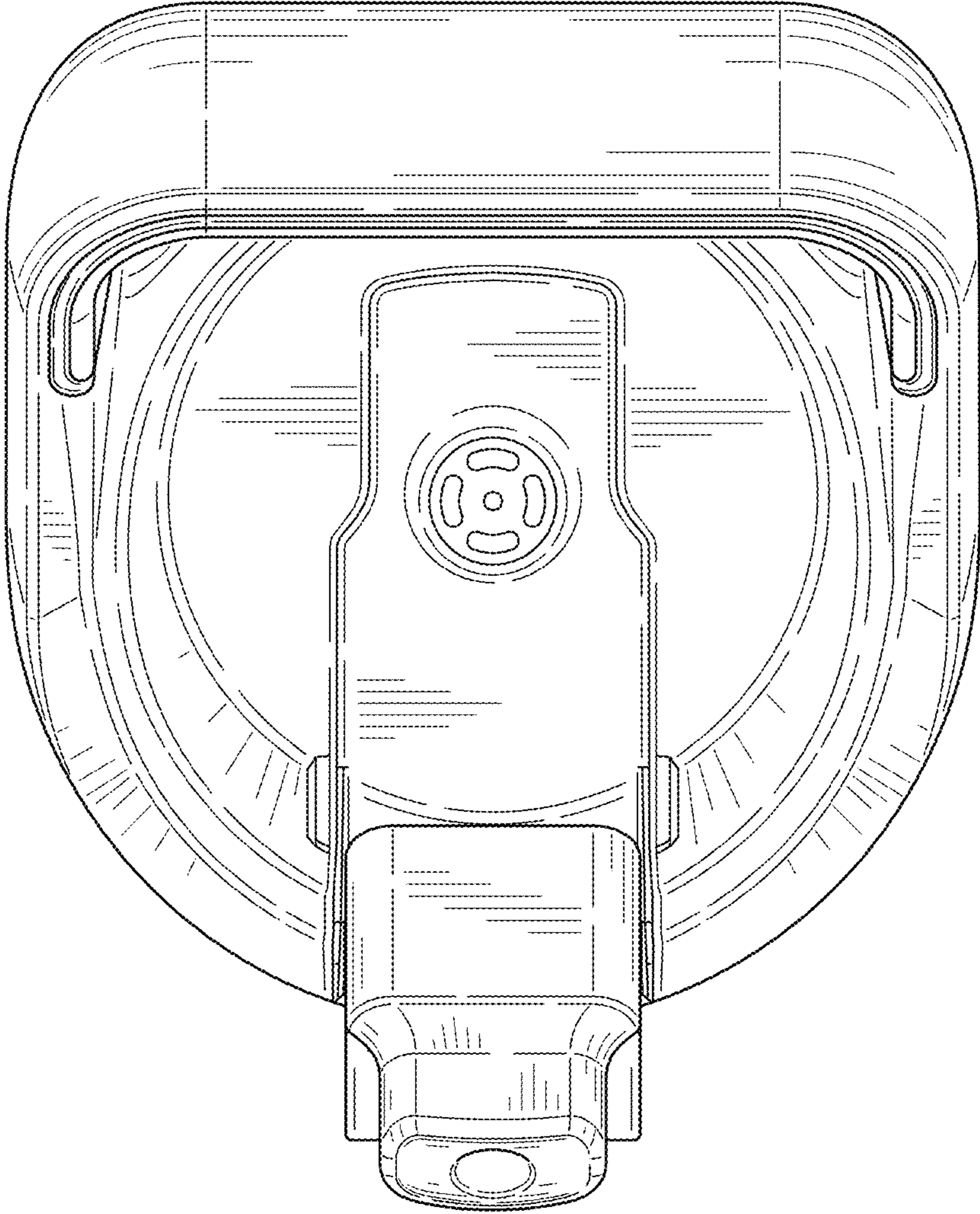


FIG. 6

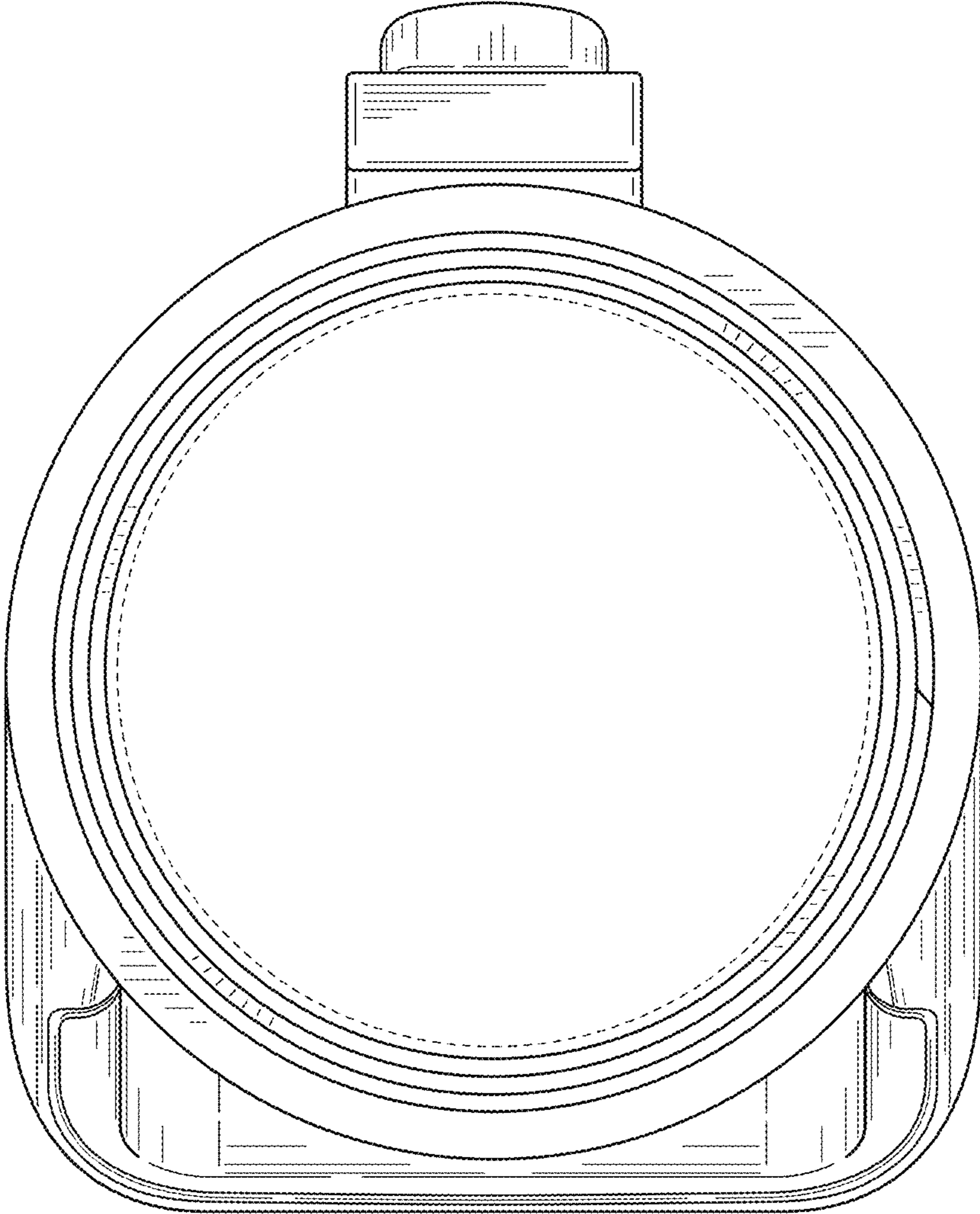


FIG. 7

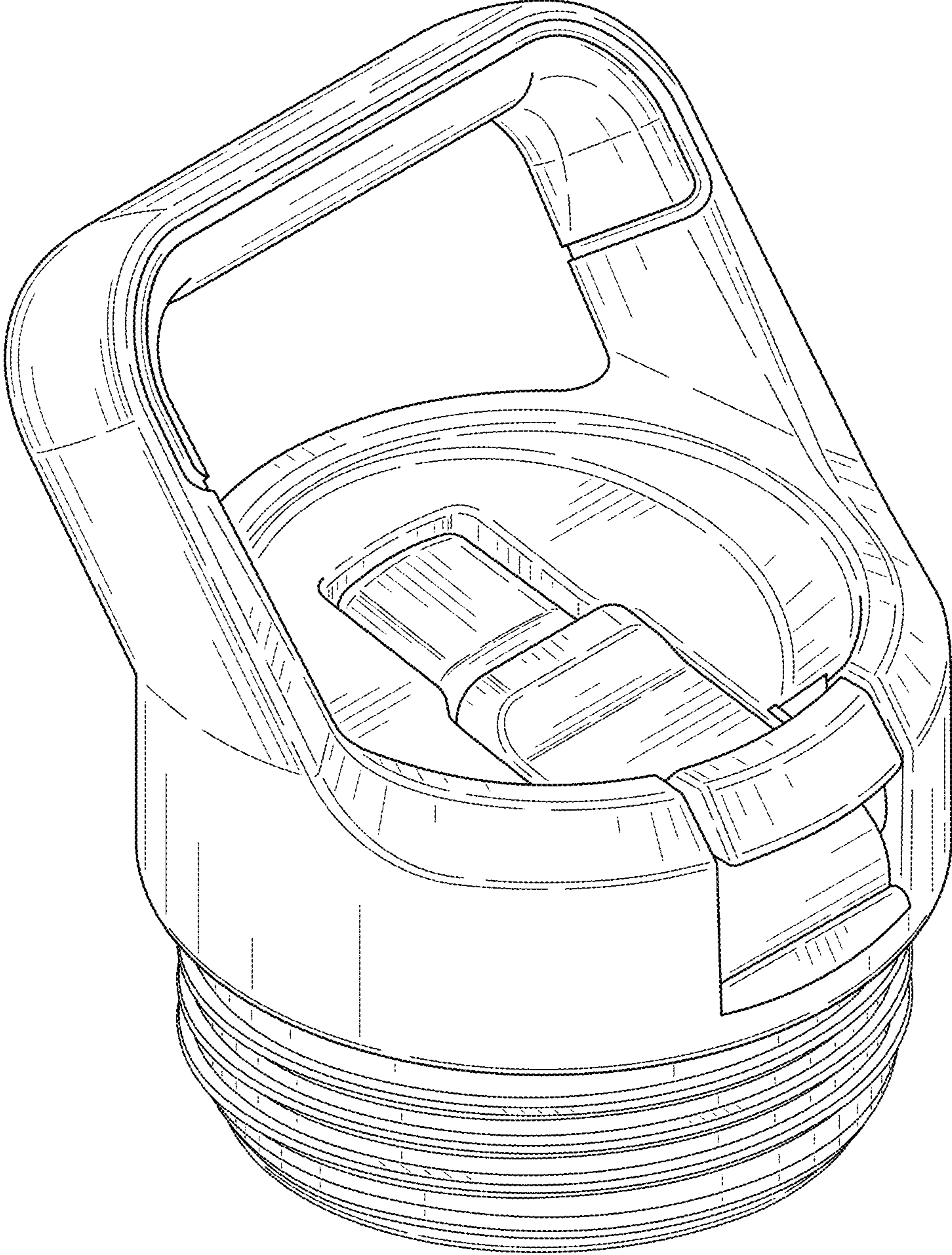


FIG. 8

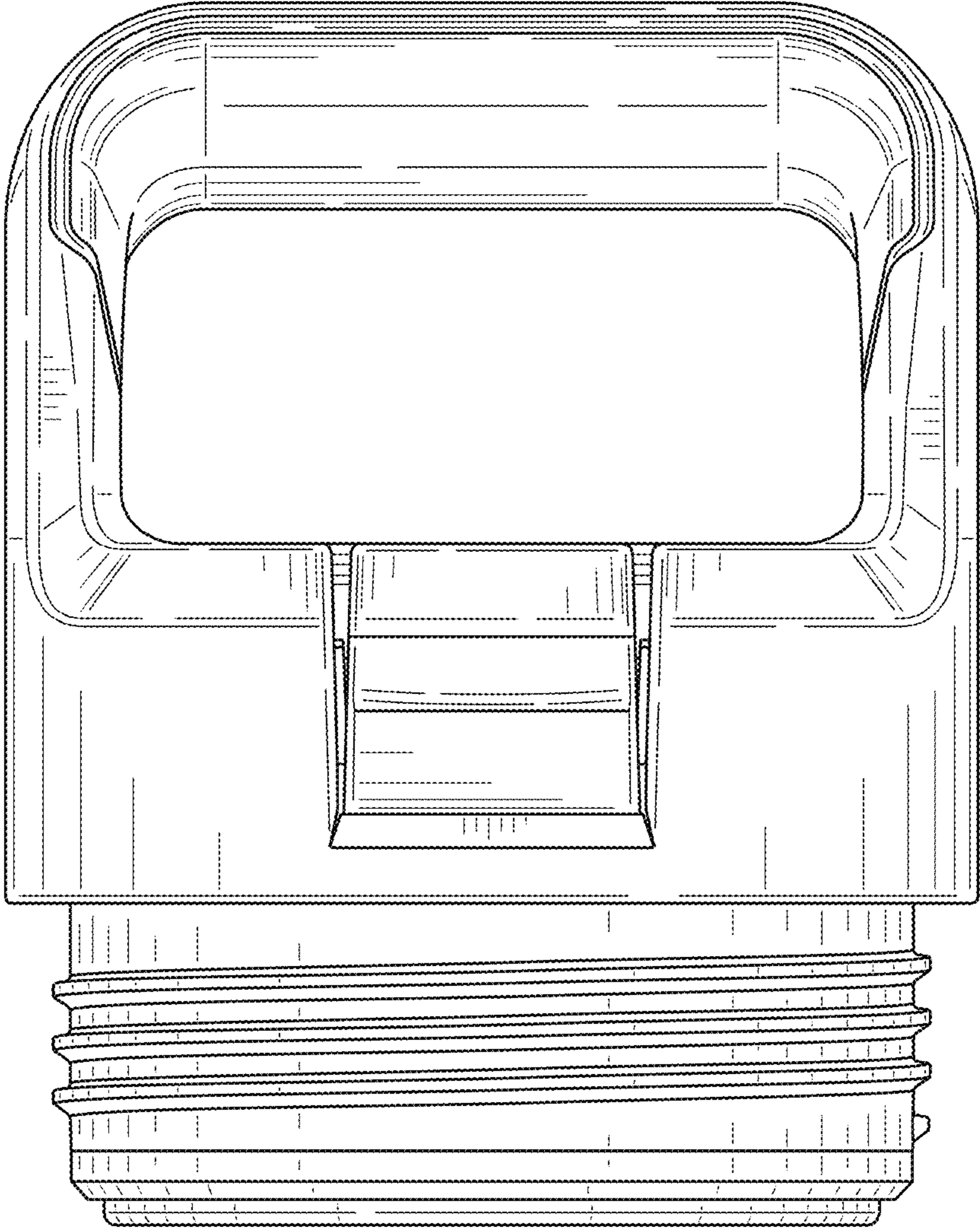


FIG. 9

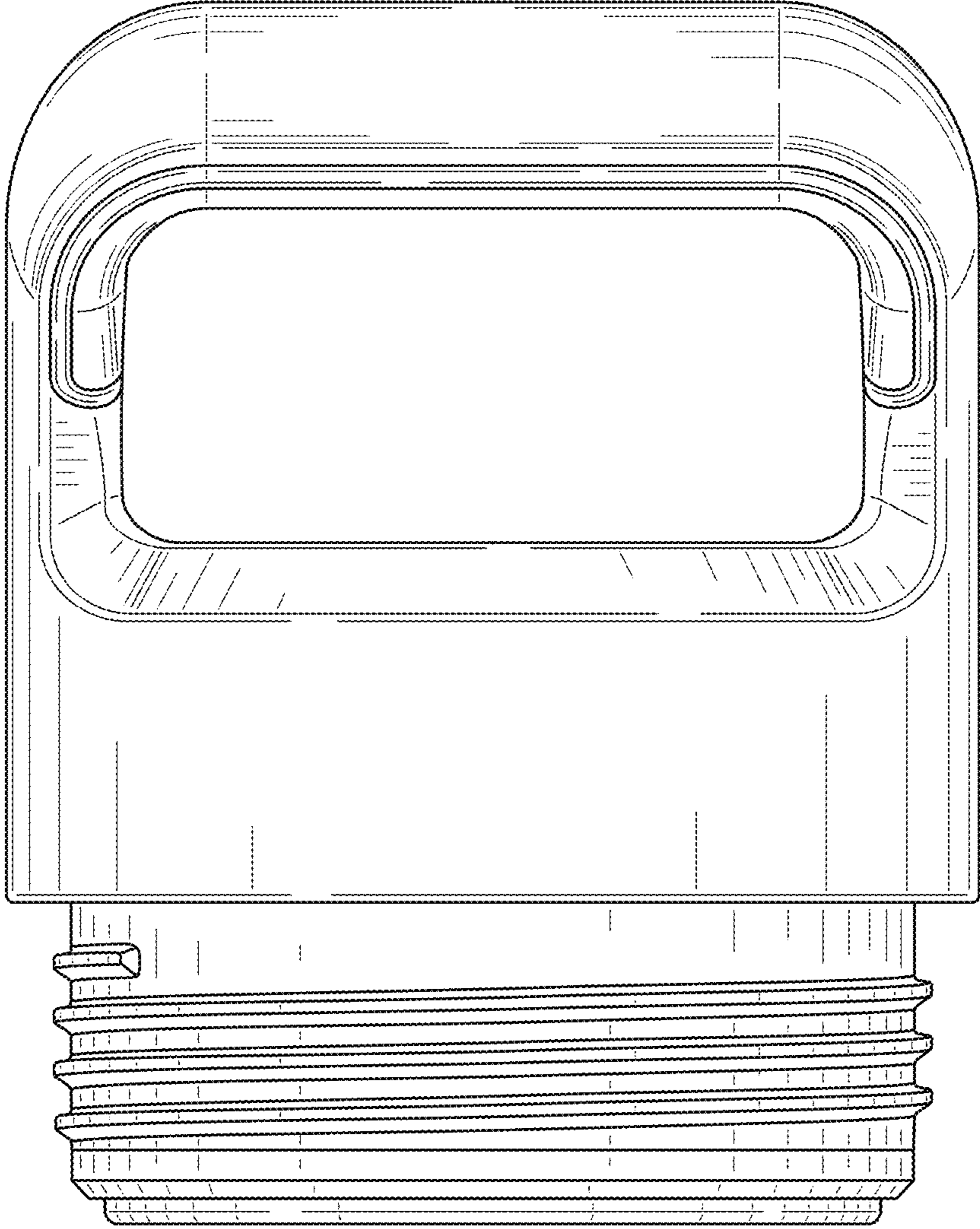


FIG. 10

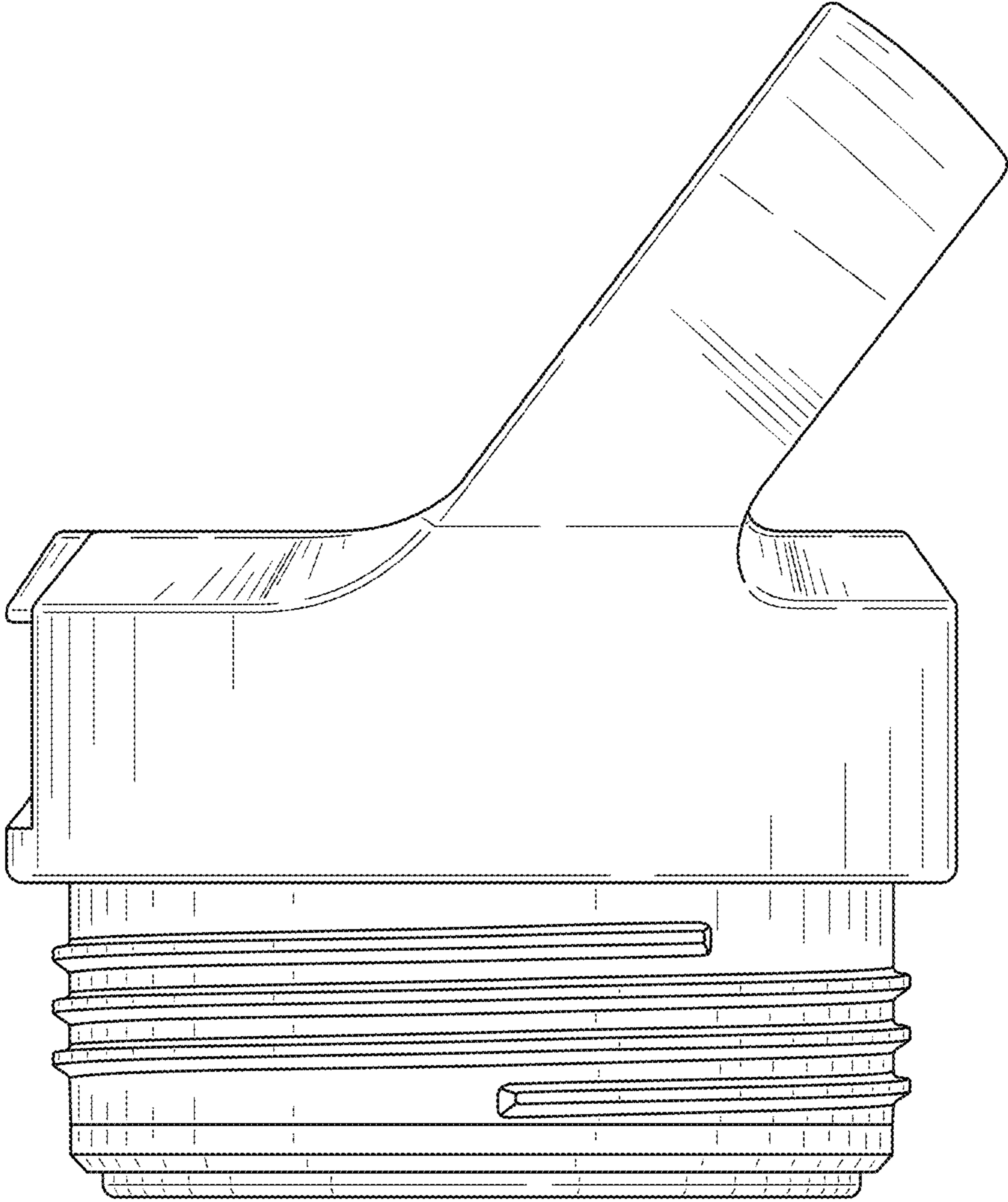


FIG. 11

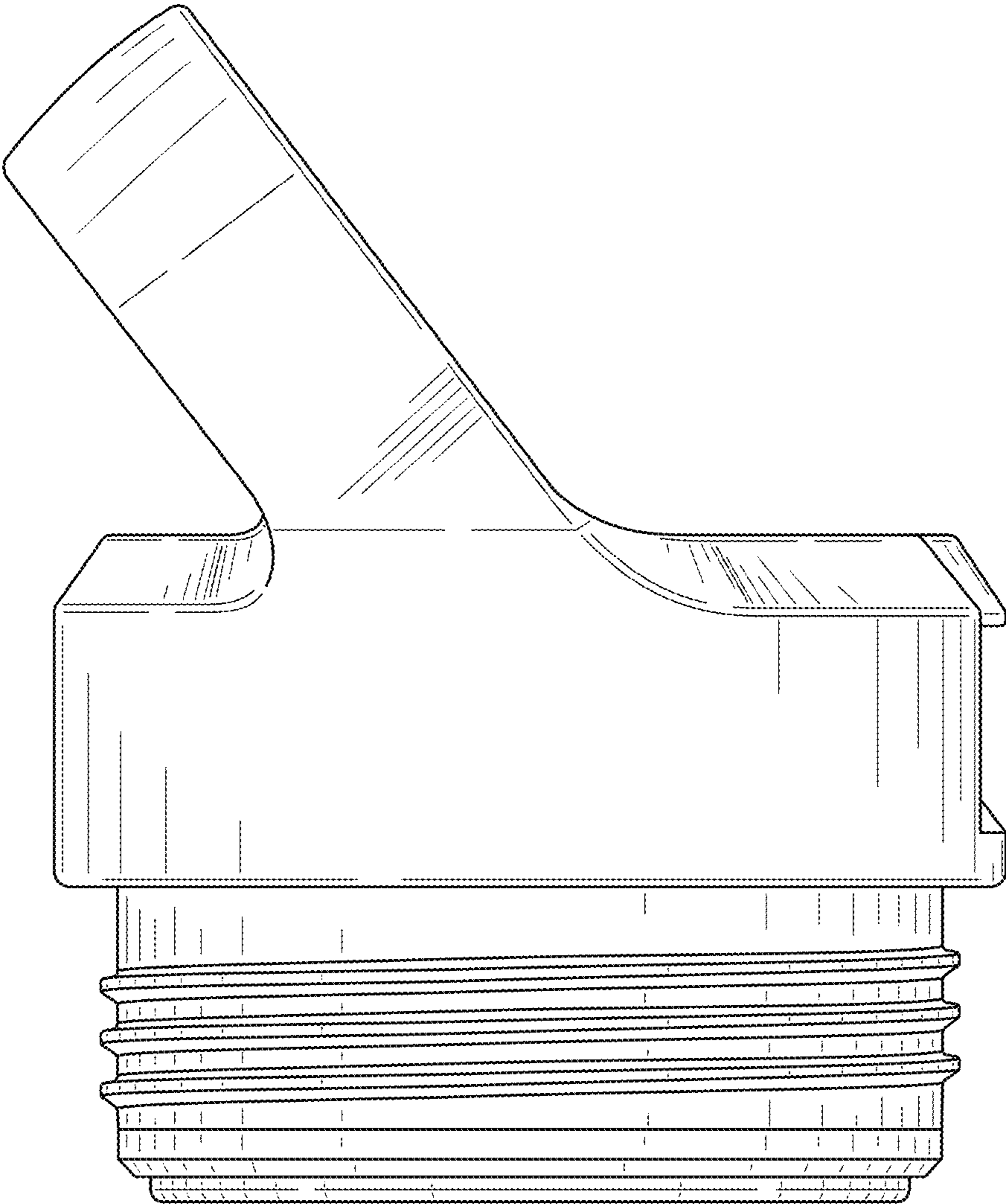


FIG. 12

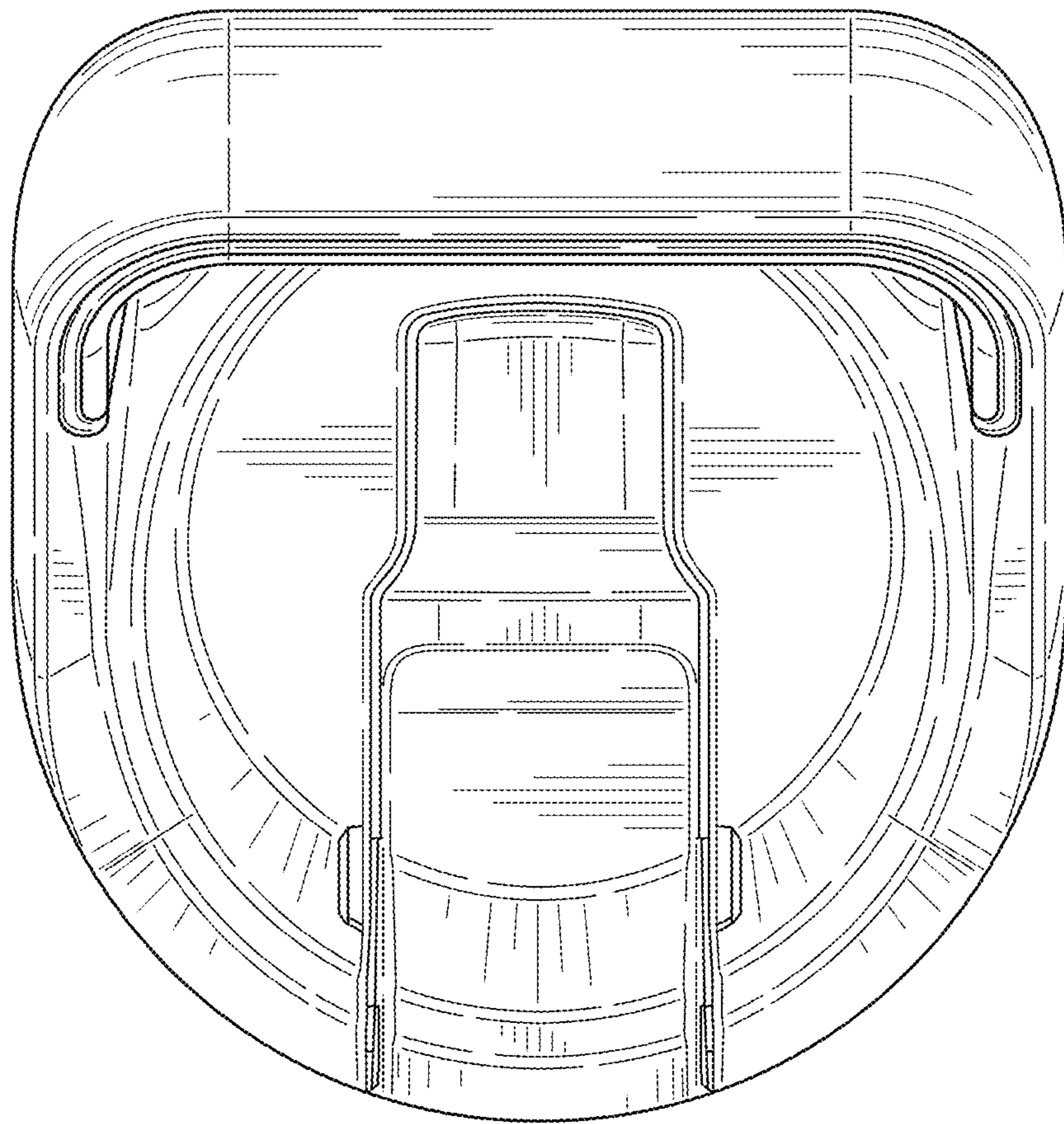


FIG. 13

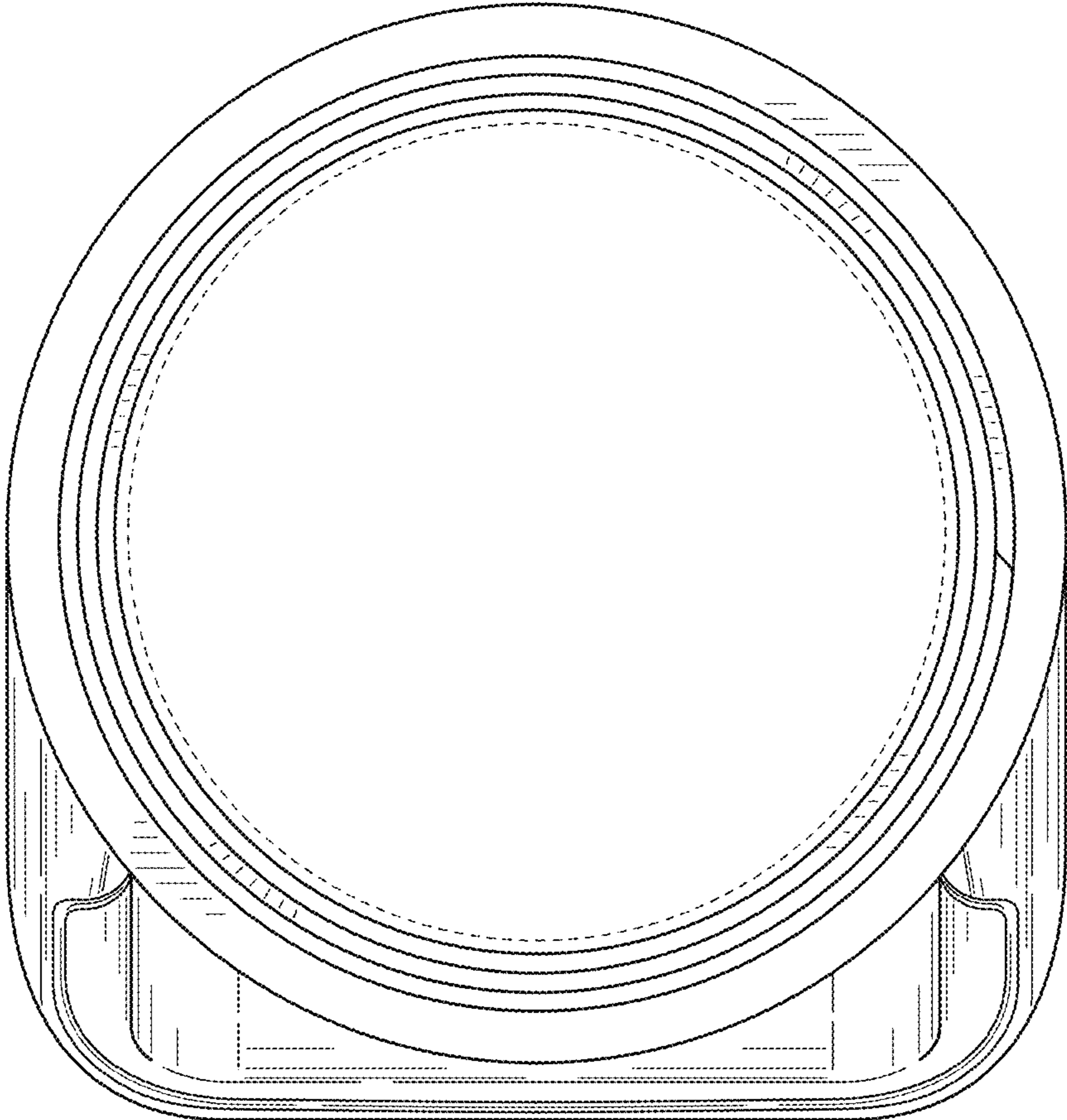


FIG. 14