



US00D811160S

(12) **United States Design Patent** (10) **Patent No.:** **US D811,160 S**  
**Evans et al.** (45) **Date of Patent:** **\*\* Feb. 27, 2018**

(54) **FOOD CONTAINER LID**

(71) Applicants: **Linden Evans**, Brooklyn, NY (US);  
**Vincent Valderrama**, Staten Island, NY (US); **Kirsten Climer**, Brooklyn, NY (US); **Meegan Dailger**, Brooklyn, NY (US)

(72) Inventors: **Linden Evans**, Brooklyn, NY (US);  
**Vincent Valderrama**, Staten Island, NY (US); **Kirsten Climer**, Brooklyn, NY (US); **Meegan Dailger**, Brooklyn, NY (US)

(73) Assignee: **HELEN OF TROY LIMITED**, St. Michael (BB)

(\*\*) Term: **15 Years**

(21) Appl. No.: **29/577,224**

(22) Filed: **Sep. 10, 2016**

(51) **LOC (11) Cl.** ..... **07-01**

(52) **U.S. Cl.**  
USPC ..... **D7/392.1; D7/391**

(58) **Field of Classification Search**  
USPC ..... D7/354, 360, 391, 392, 392.1, 396.1,  
D7/511, 538, 542, 602, 629, 705;  
D9/424, 430, 435, 443, 452, 454  
CPC ..... B65D 2543/00712; B65D 45/16  
See application file for complete search history.

(56) **References Cited**

**U.S. PATENT DOCUMENTS**

- 6,793,096 B1 \* 9/2004 Seok ..... B65D 43/0218  
220/326
- D499,931 S \* 12/2004 Kim ..... D7/392.1
- D500,227 S \* 12/2004 Seok ..... D7/392.1
- D549,519 S \* 8/2007 Moon ..... D7/391
- D612,196 S \* 3/2010 Furlong ..... D7/392.1
- D613,111 S \* 4/2010 Furlong ..... D7/392.1
- D660,094 S \* 5/2012 Kyung ..... D7/629
- D660,095 S \* 5/2012 Kyung ..... D7/629

- D660,658 S \* 5/2012 Kyung ..... D7/629
- D700,011 S \* 2/2014 Duvigneau ..... D7/391
- 2004/0084464 A1 \* 5/2004 Koo ..... B65D 43/0218  
220/784
- 2009/0218360 A1 \* 9/2009 Suk ..... B65D 43/0212  
220/784

(Continued)

**OTHER PUBLICATIONS**

“OXO Good Grips 8 Piece Snap Leakproof Glass Round Food Storage”. Found online Jul. 3, 2017 at amazon.com. Page dated Dec. 15, 2015. Retrieved from [https://www.amazon.com/OXO-Grips-Leakproof-Storage-Container/dp/B019F077FQ/ref=sr\\_1\\_206?ie=UTF8&qid=1499098926&sr=8-206&keywords=oxo.\\*](https://www.amazon.com/OXO-Grips-Leakproof-Storage-Container/dp/B019F077FQ/ref=sr_1_206?ie=UTF8&qid=1499098926&sr=8-206&keywords=oxo.*)

(Continued)

*Primary Examiner* — Robert M. Spear  
*Assistant Examiner* — Kendra Leslie Hamilton

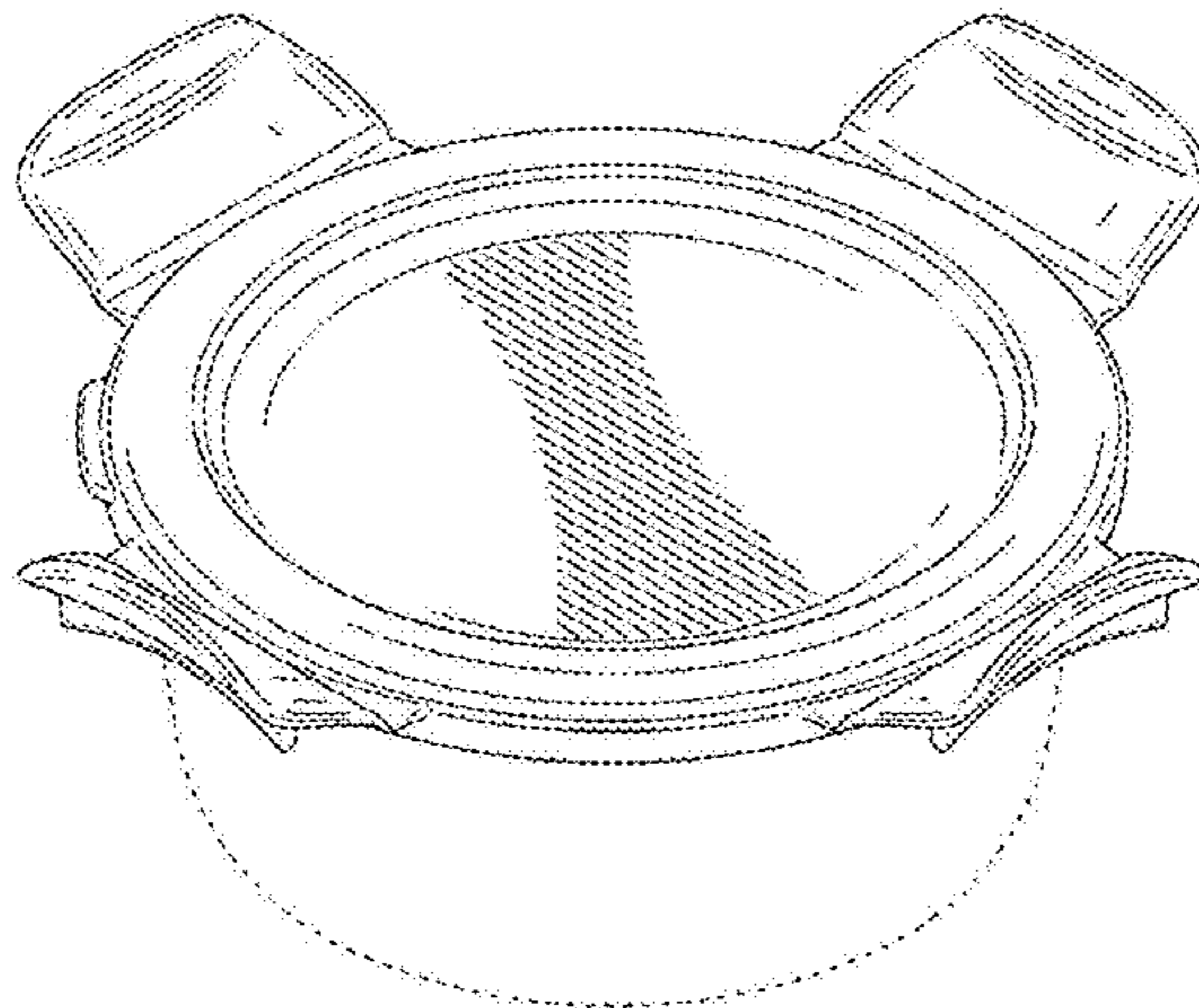
(57) **CLAIM**

The ornamental designs for a food container lid, as shown, and described.

**DESCRIPTION**

FIG. 1 is a top perspective view of a food container lid, showing our new design;  
FIG. 2 is a front elevational view thereof;  
FIG. 3 is a left side elevational view thereof (the right side elevational view being a mirror image thereof);  
FIG. 4 is a rear elevational view thereof;  
FIG. 5 is a top plan view thereof;  
FIG. 6 is a bottom plan view thereof; and,  
FIG. 7 is a top perspective view of a food container lid, in an alternate condition of use.  
The broken lines in FIGS. 4 and 6 represent unclaimed portions of a food container lid, and showing a food container in FIG. 7, all of which depict environmental matter and form no part of the claimed design.

**1 Claim, 7 Drawing Sheets**



(56)

**References Cited**

U.S. PATENT DOCUMENTS

2015/0136793 A1\* 5/2015 Smyers ..... A47G 19/02  
220/574

OTHER PUBLICATIONS

“OXO Good Grips 3 cup Snap Leakproof Food Storage Container”.  
Found online Jul. 3, 2017 at amazon.com. Page dated Dec. 15, 2017.  
Retrieved from [https://www.amazon.com/OXO-Grips-Leakproof-Storage-Container/dp/B019F06Y96/ref=sr\\_1\\_143?ie=UTF8&qid=1499098867&sr=8-143&keywords=oxo.\\*](https://www.amazon.com/OXO-Grips-Leakproof-Storage-Container/dp/B019F06Y96/ref=sr_1_143?ie=UTF8&qid=1499098867&sr=8-143&keywords=oxo.*)

“Wean Green Glass Baby Food Storage Containers”. Found online  
Jun. 26, 2017 at amazon.com. Page dated Nov. 8, 2010. Retrieved  
from [https://www.amazon.com/Wean-Green-Storage-Containers-Ounces/dp/B005E7K3LU/ref=sr\\_1\\_218?s=kitchen&ie=UTF8&qid=1498512863&sr=1-218&keywords=locking+lid+container.\\*](https://www.amazon.com/Wean-Green-Storage-Containers-Ounces/dp/B005E7K3LU/ref=sr_1_218?s=kitchen&ie=UTF8&qid=1498512863&sr=1-218&keywords=locking+lid+container.*)

“Snapware Total Solution 8-pc Pyrex Glass Food Storage Set”.  
Found online Jun. 30, 2017 at goodhousekeeping.com. Page dated  
Aug. 2015. Retrieved from [http://www.goodhousekeeping.com/...-container-reviews/a34466/snapware-total-solution-8-pc-pyrex-glass-food-storage-set-w-snapware-lids/\\*](http://www.goodhousekeeping.com/...-container-reviews/a34466/snapware-total-solution-8-pc-pyrex-glass-food-storage-set-w-snapware-lids/*)

\* cited by examiner

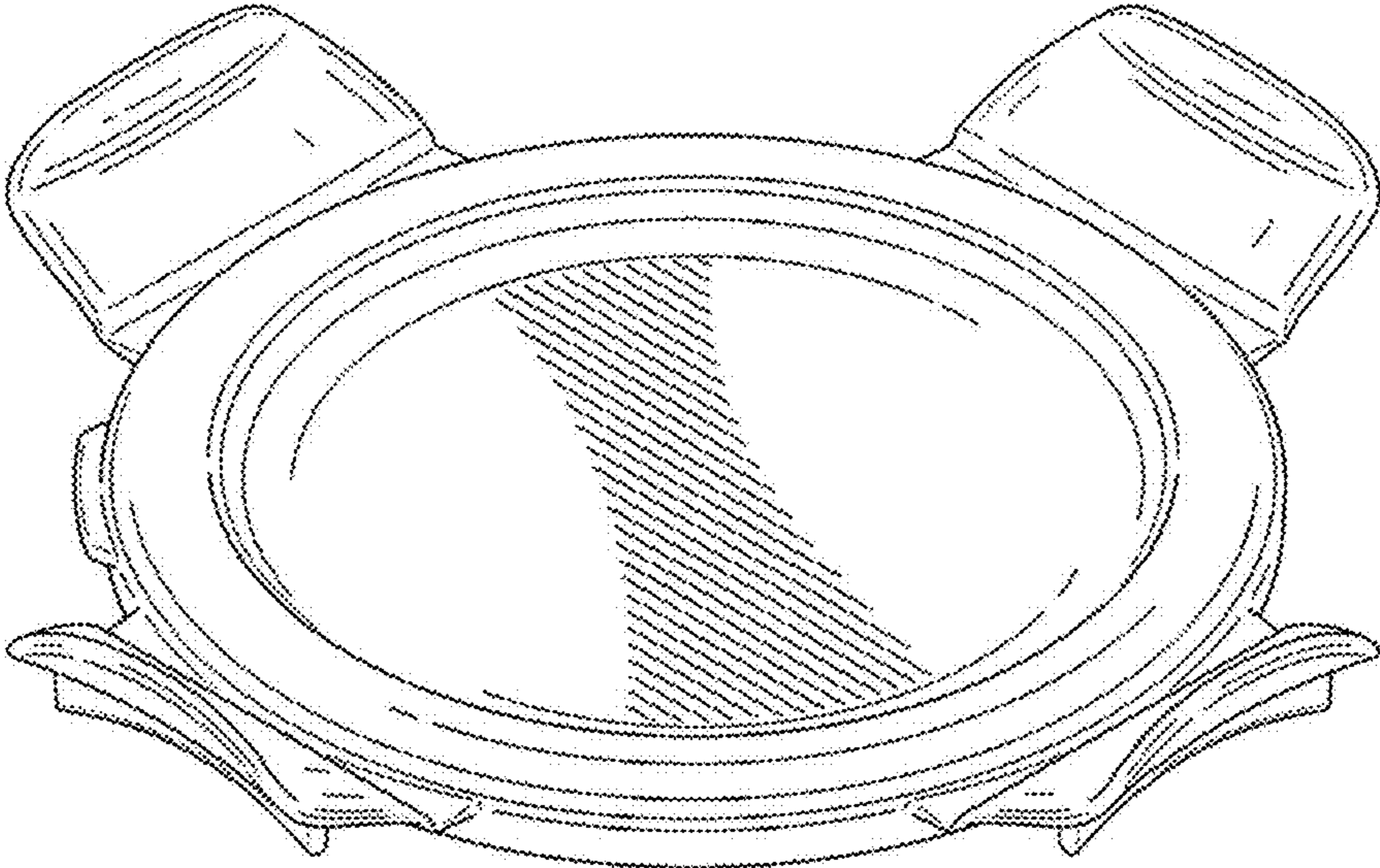


FIG. 1

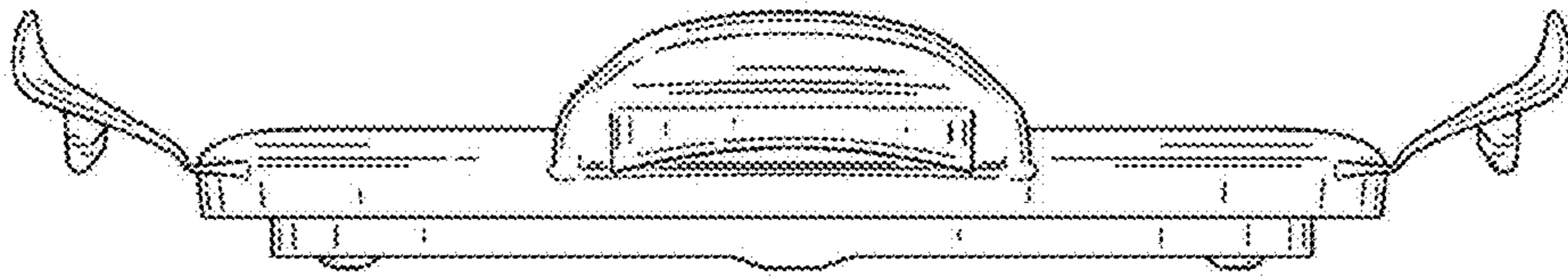


FIG. 2

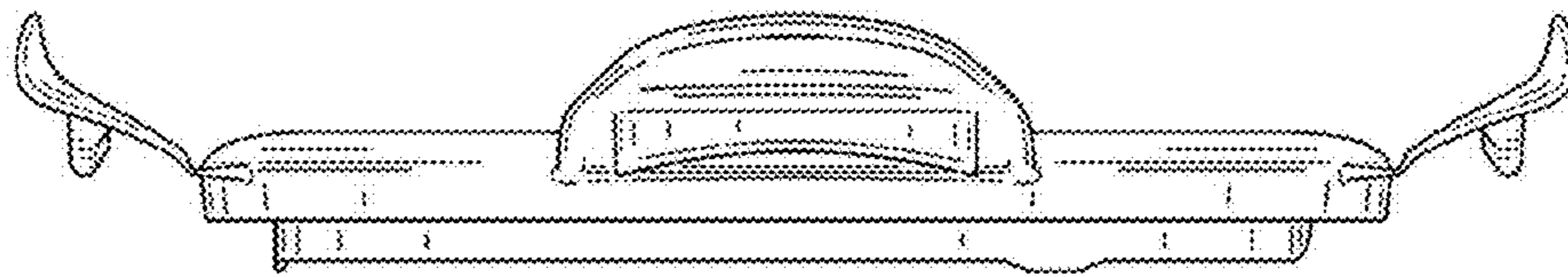


FIG. 3



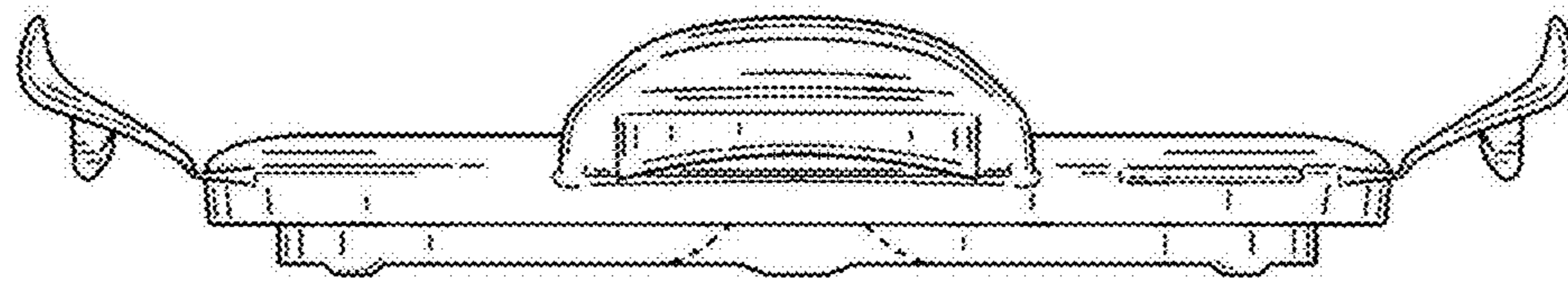


FIG. 4

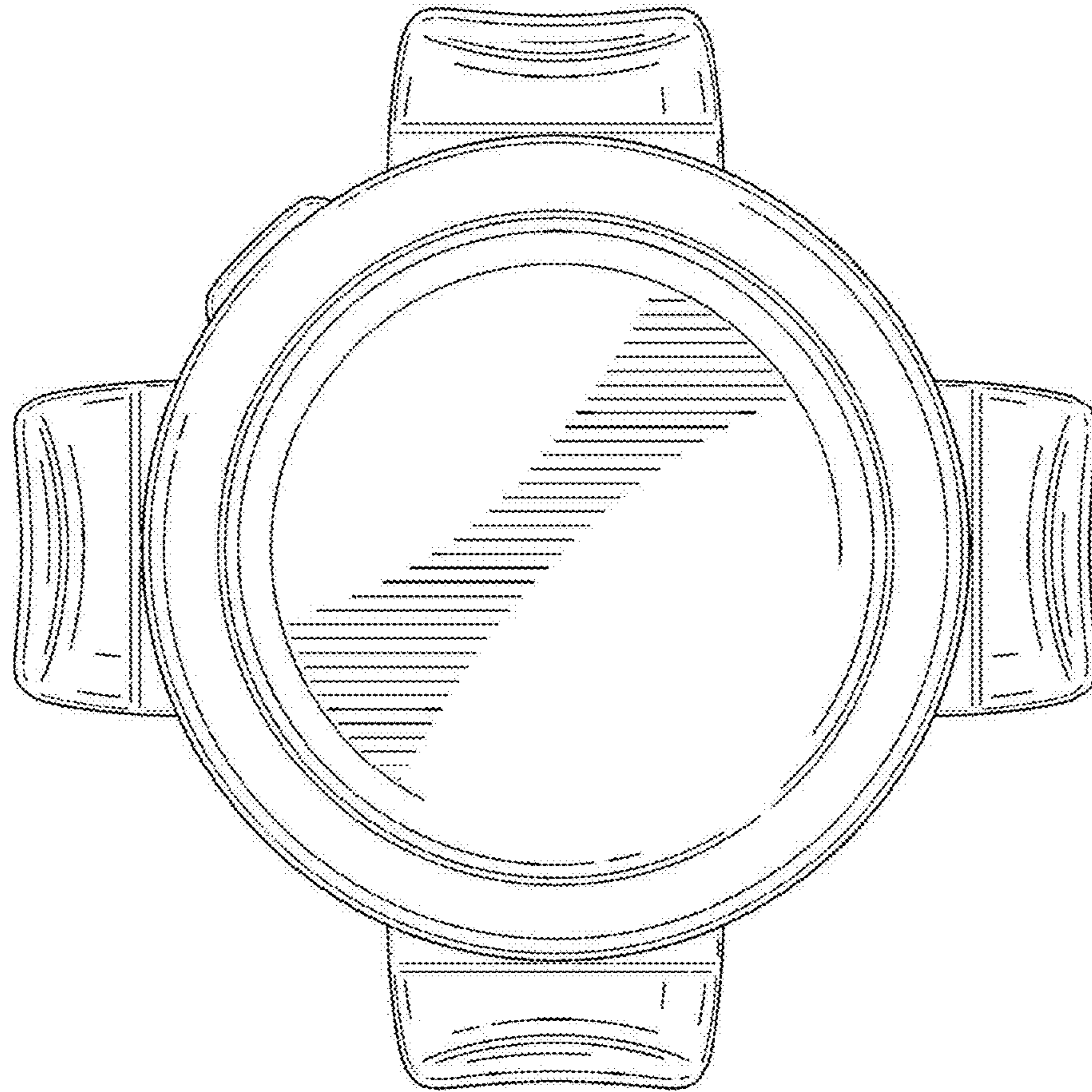


FIG. 5

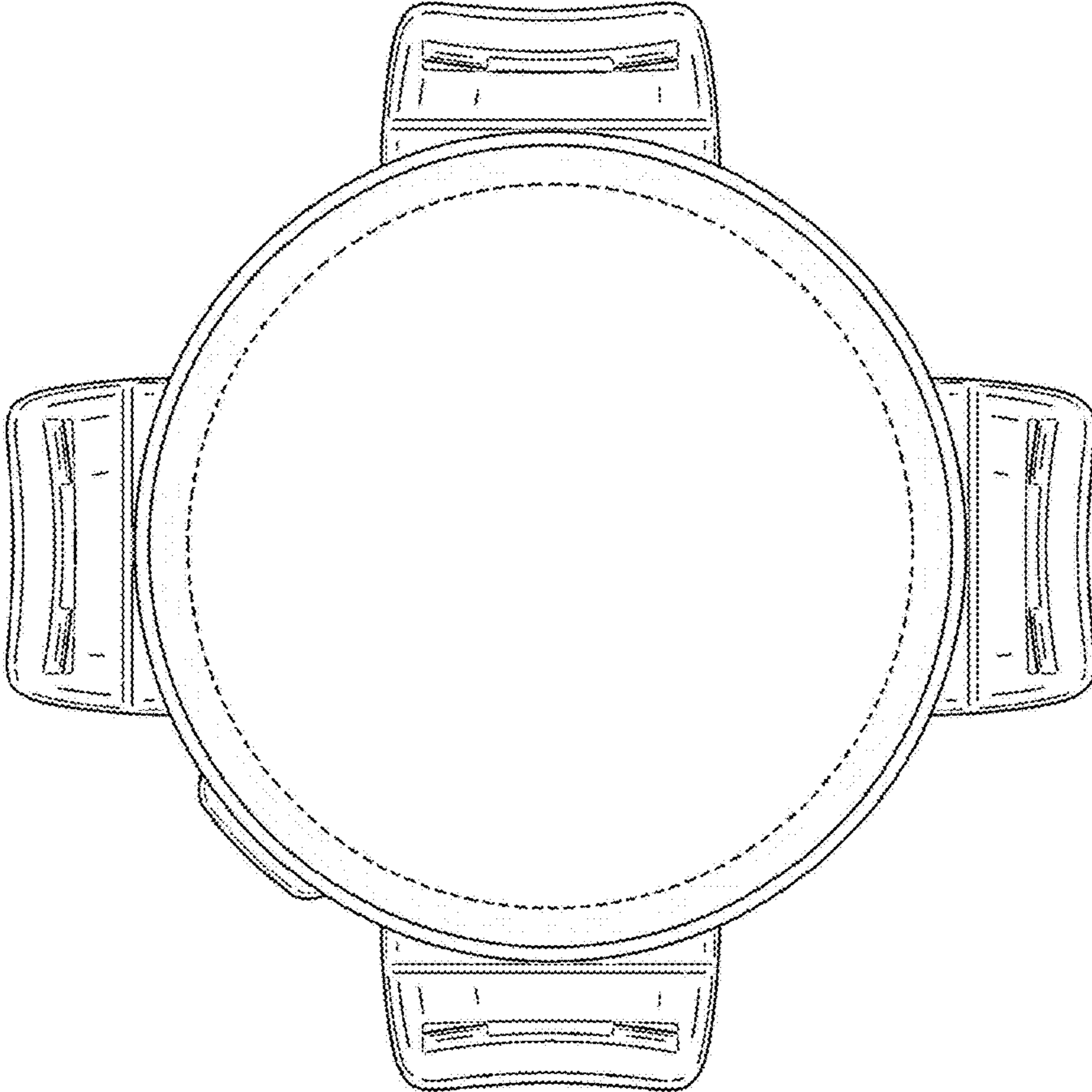


FIG. 6



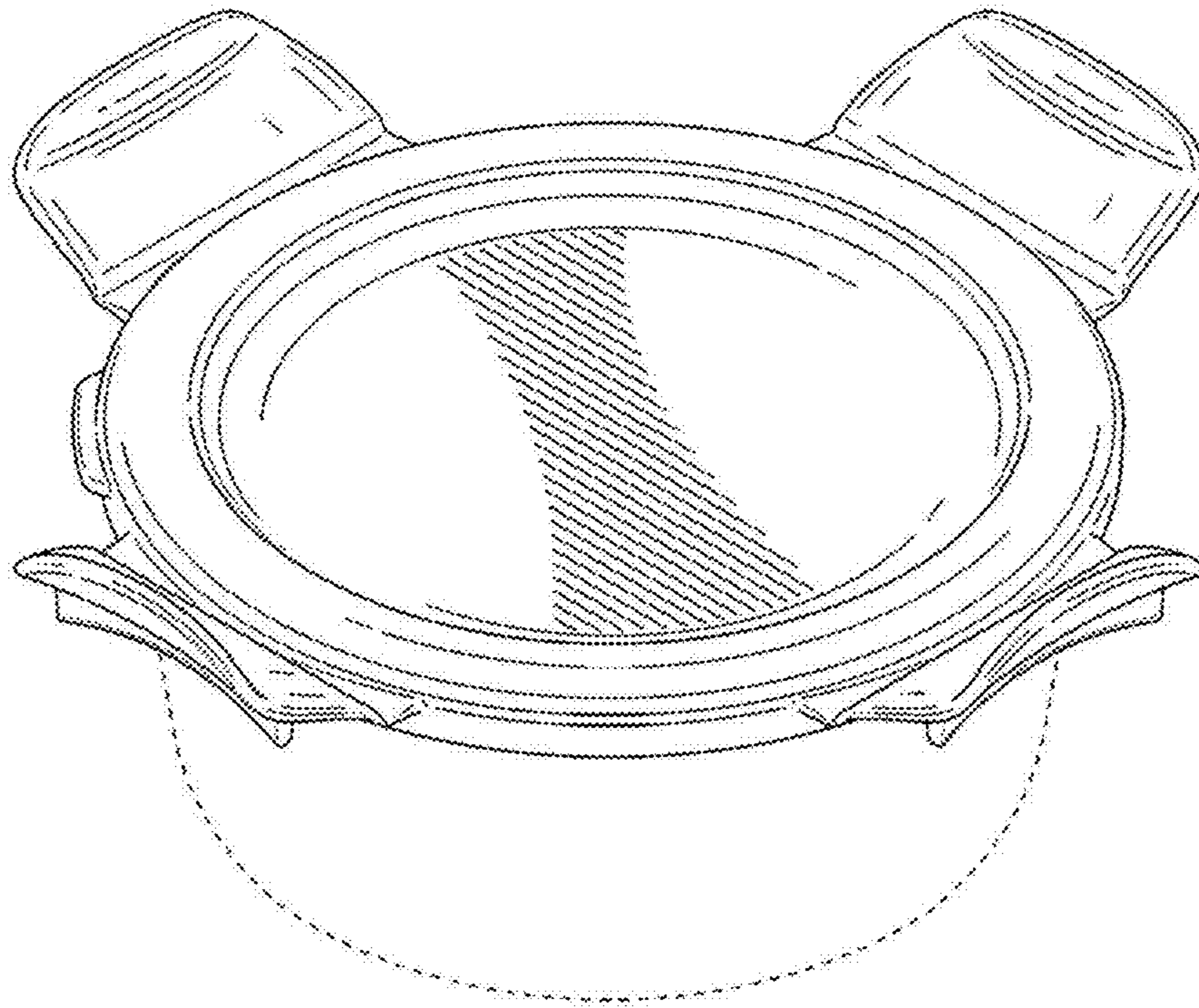


FIG. 7