



US00D811159S

(12) **United States Design Patent**  
**Huang et al.**

(10) **Patent No.:** **US D811,159 S**

(45) **Date of Patent:** **\*\* Feb. 27, 2018**

(54) **COFFEE BEAN ROASTER**

B30B 9/16; B30B 9/18; B30B 9/20;  
B30B 9/26; B30B 9/205; B30B 9/207;  
H05B 6/12

(71) Applicant: **GRAND MATE CO., LTD.**, Taichung  
(TW)

See application file for complete search history.

(72) Inventors: **Chung-Chin Huang**, Taichung (TW);  
**Chin-Ying Huang**, Taichung (TW);  
**Hsin-Ming Huang**, Taichung (TW);  
**Hsing-Hsiung Huang**, Taichung (TW);  
**Chien-Chang Lin**, Taichung (TW);  
**Yen-Jen Yeh**, Taichung (TW)

(56) **References Cited**

U.S. PATENT DOCUMENTS

D236,283	S	*	8/1975	McCue	.....	D7/372
D362,597	S	*	9/1995	Kim	.....	D7/665
5,452,650	A	*	9/1995	Lee	.....	A47J 19/06 241/101.2
D376,736	S	*	12/1996	Kim	.....	D7/665
D526,539	S	*	8/2006	Yip	.....	D7/665
D683,577	S	*	6/2013	Cohen	.....	D7/372
D712,696	S	*	9/2014	Huber	.....	D7/372
D721,548	S	*	1/2015	Jin	.....	D7/665
D725,440	S	*	3/2015	Kim	.....	D7/665
2016/0345620	A1	*	12/2016	Lillie	.....	H05B 6/12

\* cited by examiner

*Primary Examiner* — Ricky Pham

(74) *Attorney, Agent, or Firm* — Muncy, Geissler, Olds & Lowe, P.C.

(73) Assignee: **Grand Mate Co., Ltd.**, Taichung (TW)

(\*\*) Term: **15 Years**

(21) Appl. No.: **29/590,675**

(22) Filed: **Jan. 12, 2017**

(51) **LOC (11) Cl.** ..... **31-00**

(52) **U.S. Cl.**  
USPC ..... **D7/373**

(58) **Field of Classification Search**  
USPC ..... D7/372-373, 376-386, 665-666, 669,  
D7/678-679, 693-694

CPC ..... A01F 2015/07; A01F 2015/077; A01F  
2015/0775; A23N 1/00; A23N 1/02; A47J  
19/00; A47J 19/005; A47J 19/02; A47J  
19/04; A47J 19/06; A47J 42/32; A47J  
42/34; A47J 42/36; A47J 43/044; A47J  
43/25; A47J 43/255; B01F 7/26; B01F  
7/28; B01F 11/0082; B01F 13/04; B02C  
13/00; B02C 13/02; B02C 13/10; B02C  
18/06; B02C 18/26; B02C 18/30; B02C  
18/302; B02C 18/304; B02C 18/305;  
B02C 25/00; B02C 2002/00; B02C  
2013/00; B02C 2013/14; B02C 2013/145;  
B02C 2013/18; B02C 2013/1807; B02C  
2013/1857; B02C 2013/1864; B30B 9/00;

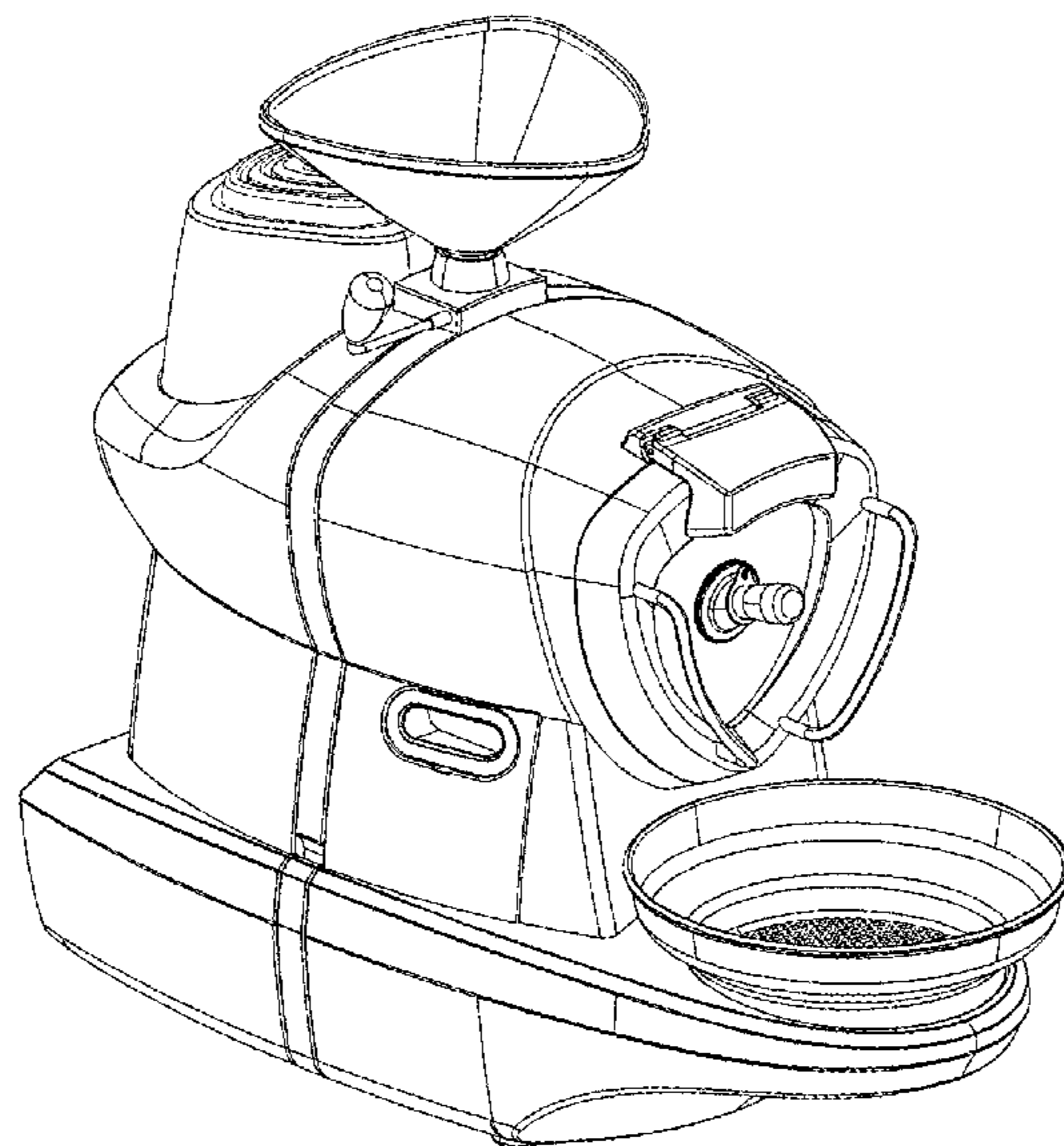
(57) **CLAIM**

The ornamental design for a coffee bean roaster, as shown and described.

**DESCRIPTION**

FIG. 1 is a perspective view of the coffee bean roaster;  
FIG. 2 is a front view thereof;  
FIG. 3 is a rear view thereof;  
FIG. 4 is a left side view thereof;  
FIG. 5 is a right side view thereof;  
FIG. 6 is a top view thereof; and,  
FIG. 7 is a bottom view thereof.

**1 Claim, 6 Drawing Sheets**



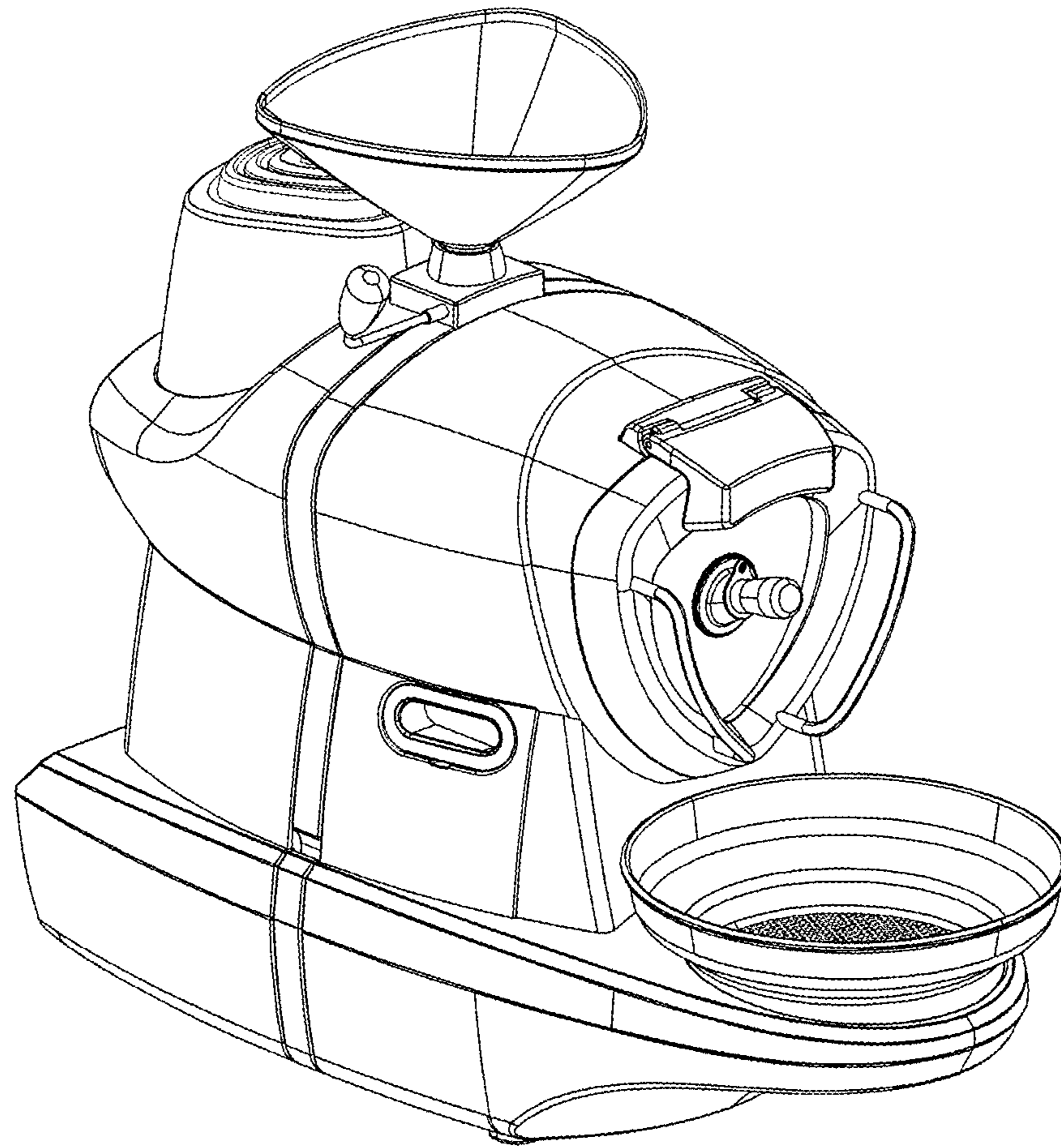


FIG. 1

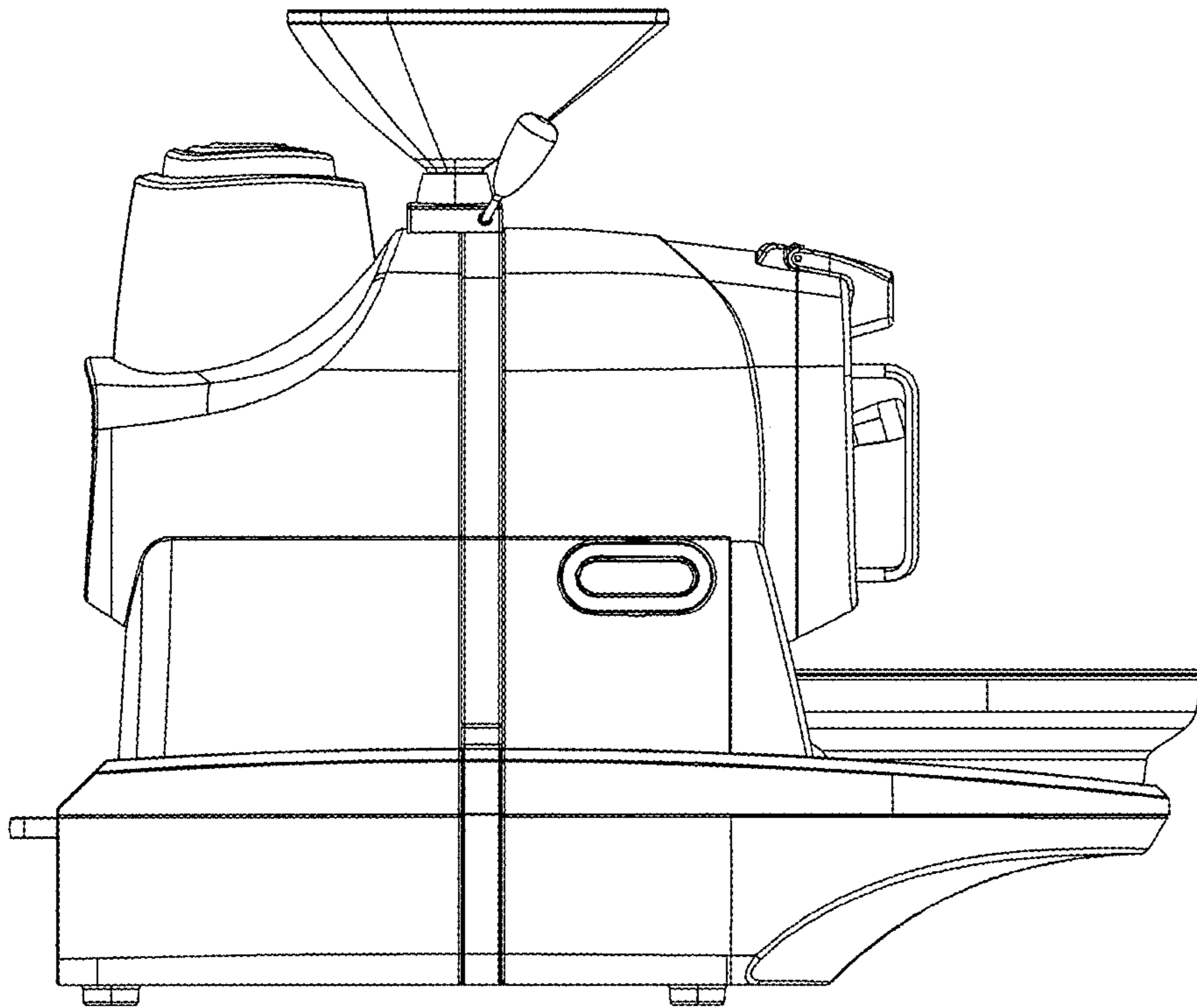


FIG. 2

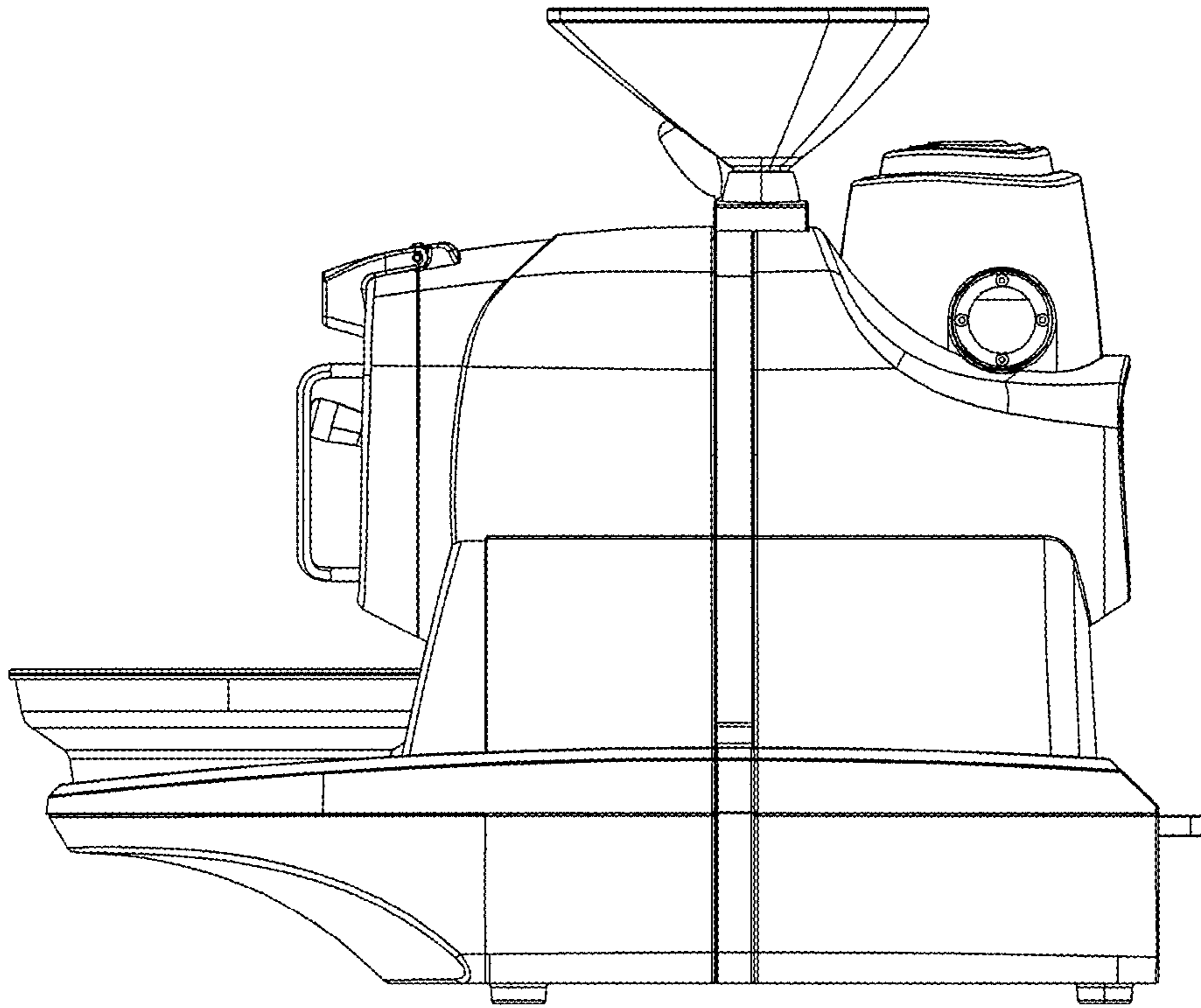


FIG. 3

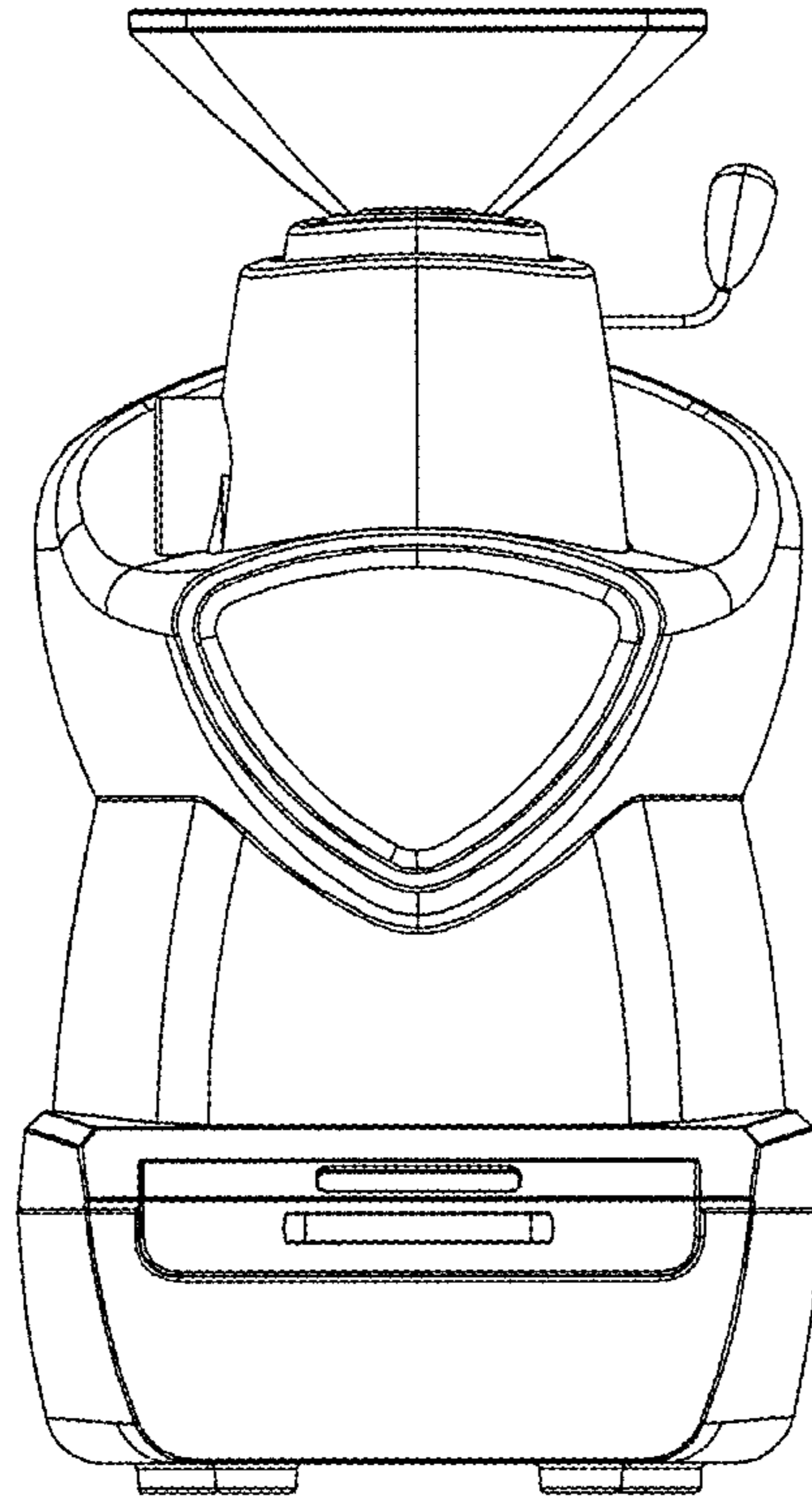


FIG. 4



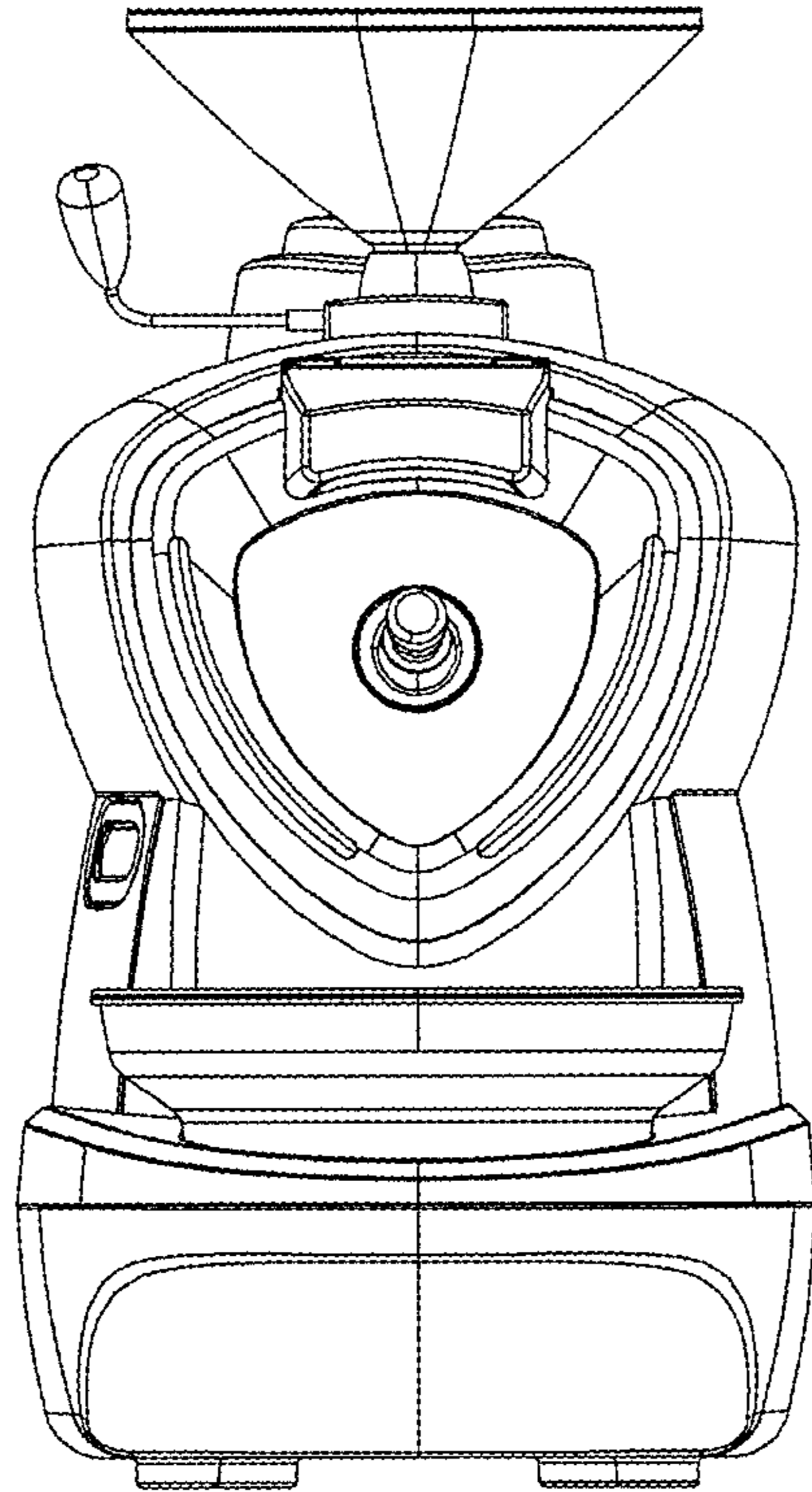


FIG. 5

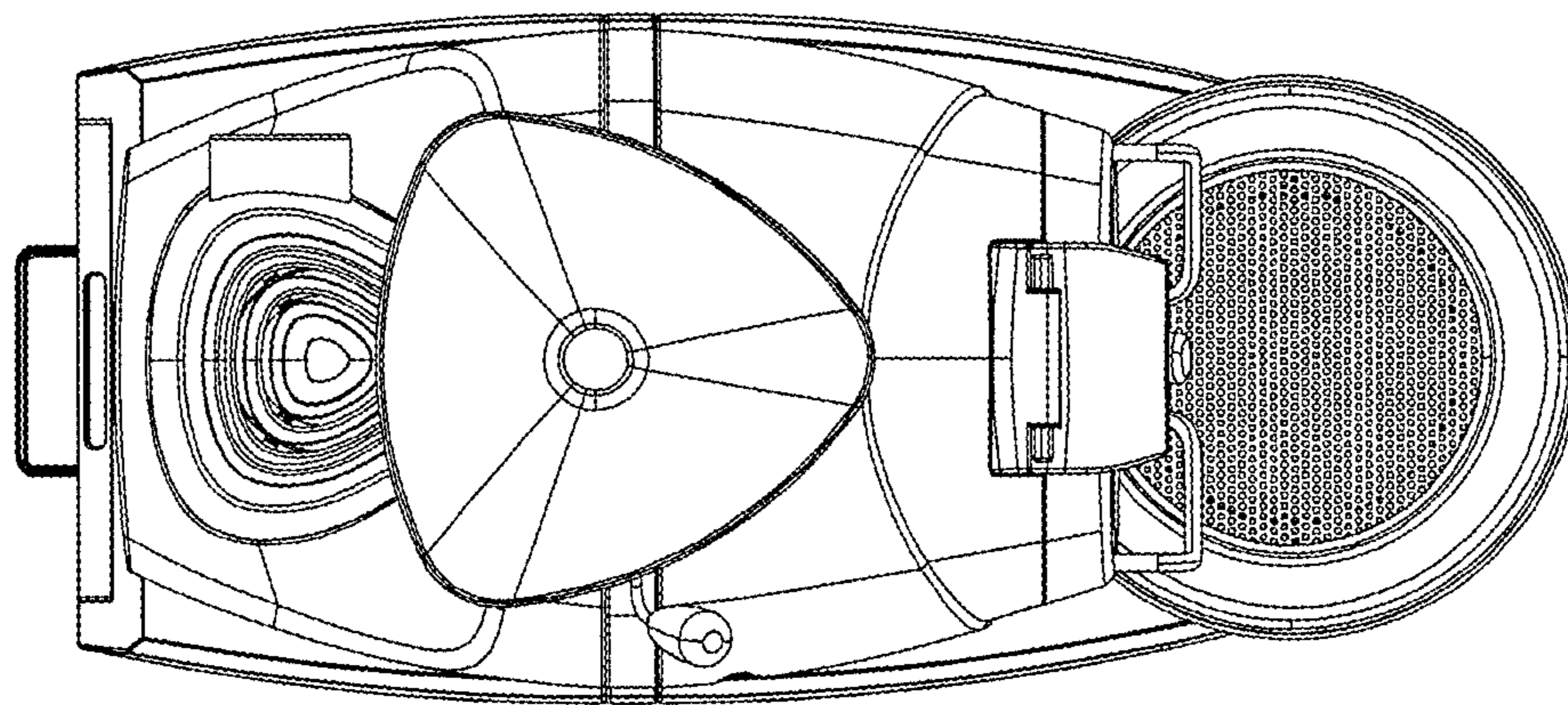


FIG. 6

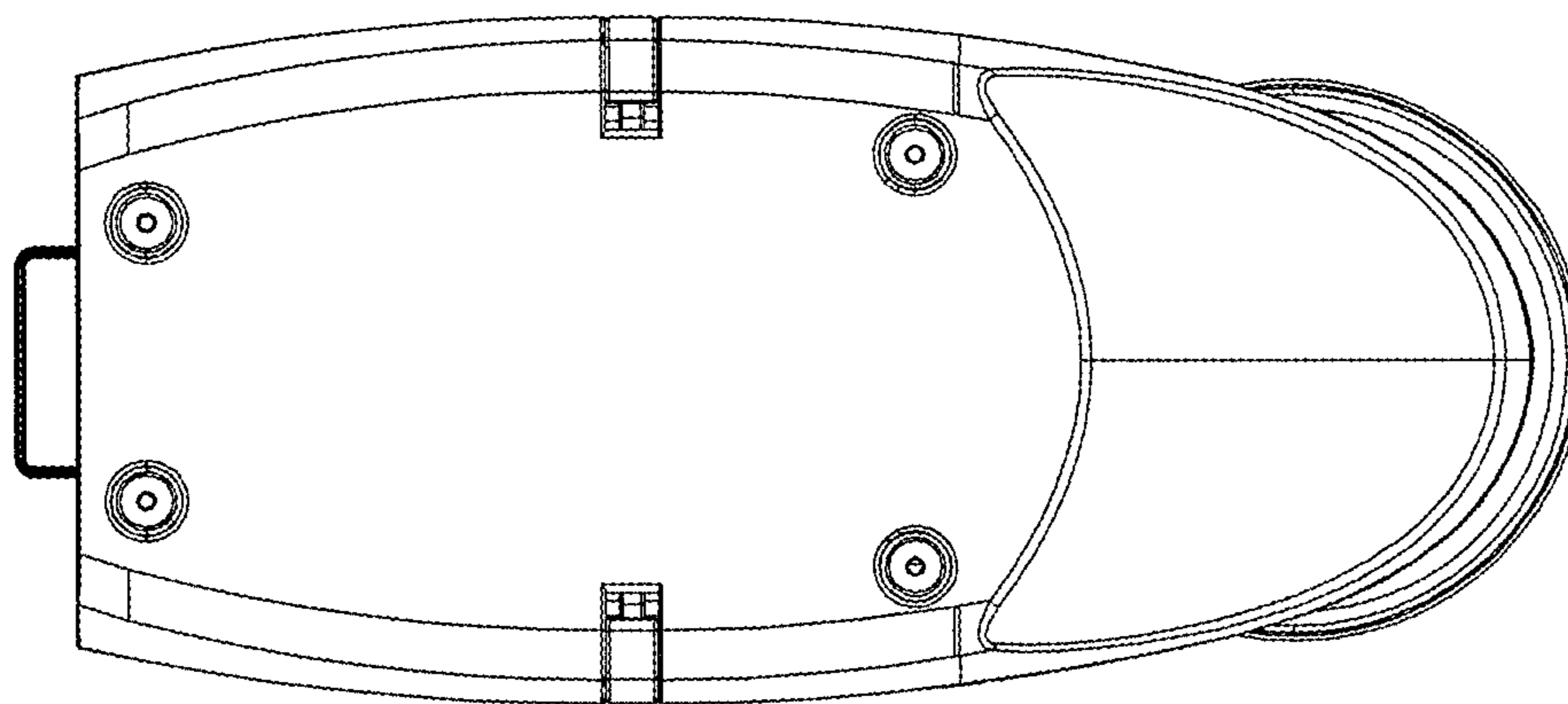


FIG. 7