



US00D811158S

(12) **United States Design Patent** (10) **Patent No.:** **US D811,158 S**
Yuan (45) **Date of Patent:** **** Feb. 27, 2018**

(54) **MEAT MINCER**
(71) Applicant: **KONINKLIJKE PHILIPS N.V.**,
Eindhoven (NL)
(72) Inventor: **Chun Pong Yuan**, Hong Kong (CN)

D677,975 S * 3/2013 Jin D7/372
D683,577 S * 6/2013 Cohen D7/372
D712,696 S * 9/2014 Huber D7/372
D721,548 S * 1/2015 Jin D7/665
D775,491 S * 1/2017 Brinkley D7/372
2016/0332166 A1* 11/2016 Chen B02C 18/302

(73) Assignee: **KONINKLIJKE PHILIPS N.V.**,
Eindhoven (NL)

(**) Term: **15 Years**

(21) Appl. No.: **35/500,743**

(22) Filed: **Sep. 22, 2015**

(80) **Hague Agreement Data**

Int. Filing Date: **Sep. 22, 2015**
Int. Reg. No.: **DM/087794**
Int. Reg. Date: **Sep. 22, 2015**
Int. Reg. Pub. Date: **Mar. 25, 2016**

(30) **Foreign Application Priority Data**

Apr. 27, 2015 (EM) 002689612-0001

(51) **LOC (11) Cl.** **31-00**

(52) **U.S. Cl.**
USPC **D7/372**

(58) **Field of Classification Search**
USPC D7/381, 372-380, 382-386, 412-414,
D7/665

CPC B02C 18/302; B02C 18/36; B02C 18/00;
B02C 18/065; B02C 2018/308

See application file for complete search history.

(56) **References Cited**

U.S. PATENT DOCUMENTS

D181,157 S * 10/1957 Madl D7/372
D186,728 S * 11/1959 Talge et al. D7/372
D236,283 S * 8/1975 McCue D7/372
6,003,797 A * 12/1999 Lin B02C 18/302
241/82.5
D495,921 S * 9/2004 Lallemand D7/372

OTHER PUBLICATIONS

Meat Mincer, by Philips [online], no publication date available, [retrieved on Mar. 16, 2017]. Retrieved from the Internet <URL: http://www.philips.com.my/c-p/HR2710_10/daily-collection-meat-mincer>.*

HR2710 Meat Mincer, by Philips, Amazon [online], date first available Mar. 16, 2016, [retrieved on Mar. 16, 2017]. Retrieved from the Internet <URL: https://www.amazon.com/Philips-HR2710-Collection-Performance-Overseas/dp/B01D1XUC64/ref=sr_1_3?s=home-garden&ie=UTF8&qid=1489680783&sr=1-3&keywords=philips+meat+mincer>.*

MK-MG1300 Meat Grinder, by Panasonic, Amazon [online], date first available Aug. 29, 2013, [retrieved on Mar. 16, 2017]. Retrieved from the Internet <URL: https://www.amazon.com/Panasonic-MK-MG1300-Meat-Grinder-240-volt/dp/B00EYXMMGO/ref=sr_1_3?s=aht&ie=UTF8&qid=1489681126&sr=8-3&keywords=panasonic+meat+mincer>.*

* cited by examiner

Primary Examiner — Sheryl Lane
Assistant Examiner — Nicole Shiflet

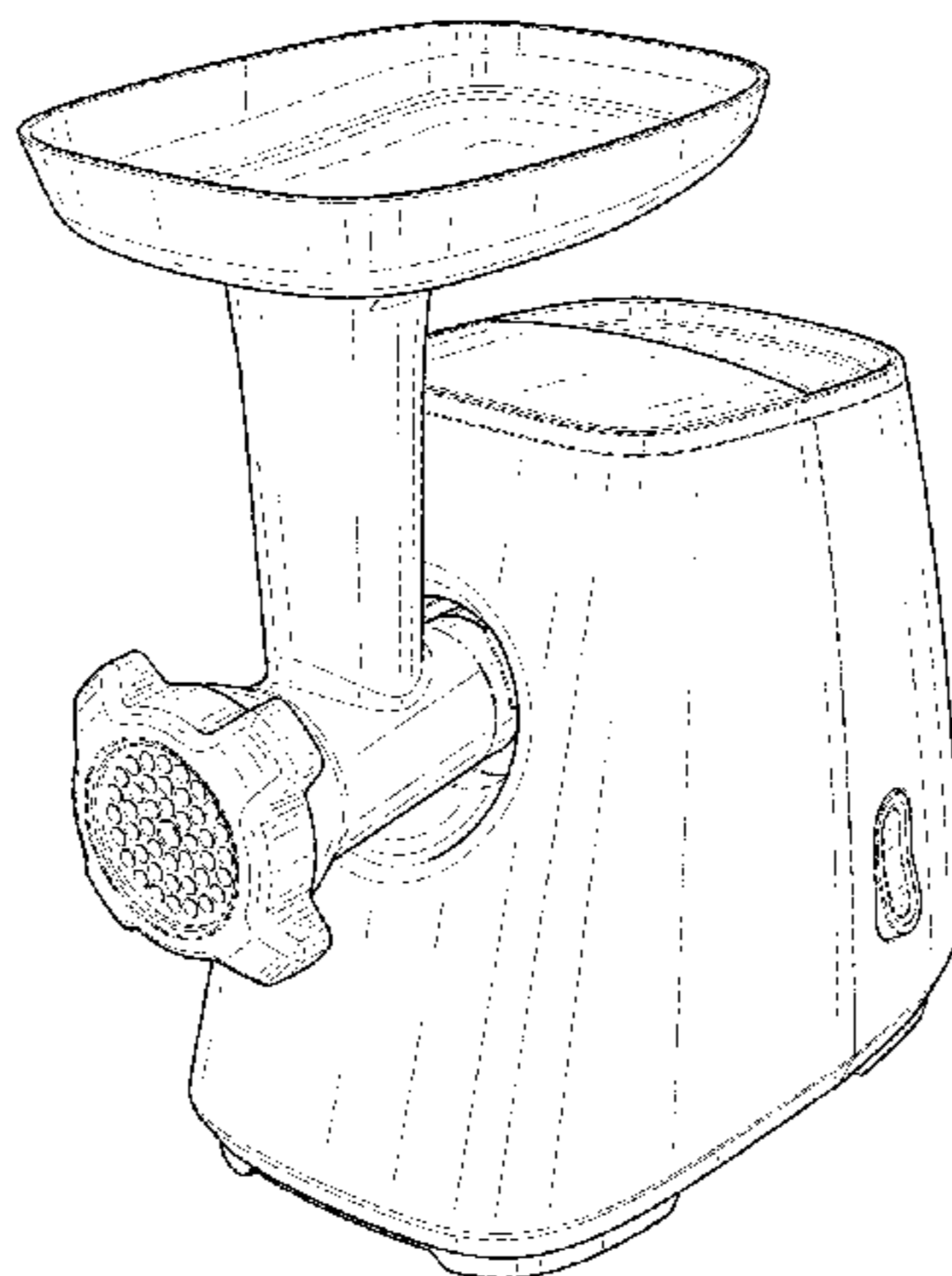
(57) **CLAIM**

The ornamental design for a meat mincer, as shown and described.

DESCRIPTION

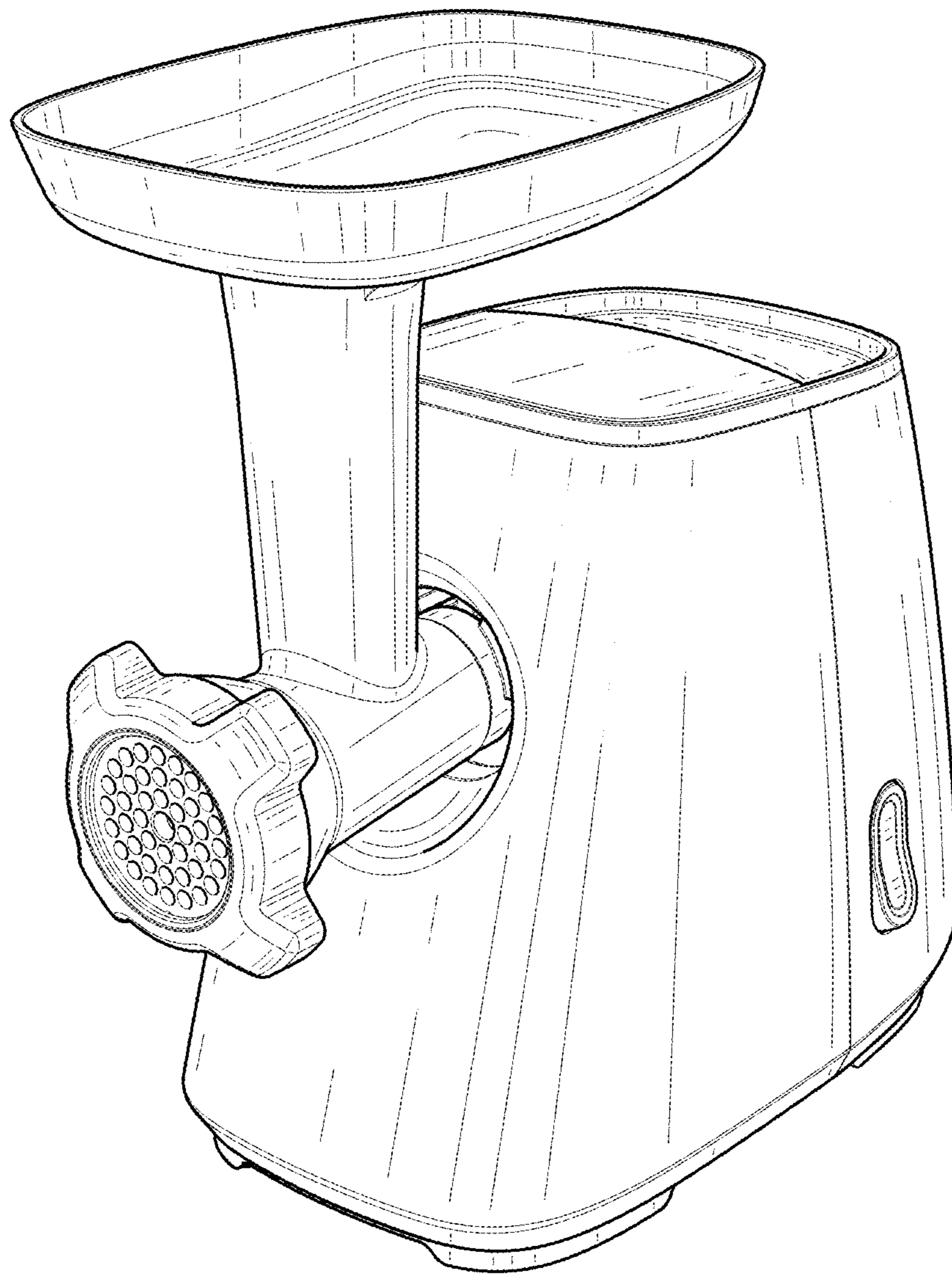
- 1. Meat mincer
- 1.1 is a front and right side perspective view showing the meat mincer of my design;
- 1.2 is a right side elevation view thereof;
- 1.3 is a left side elevation view thereof;
- 1.4 is a front elevation view thereof;
- 1.5 is a back elevation view thereof;
- 1.6 is a top plan view thereof; and
- 1.7 is a bottom plan view thereof.

(Continued)

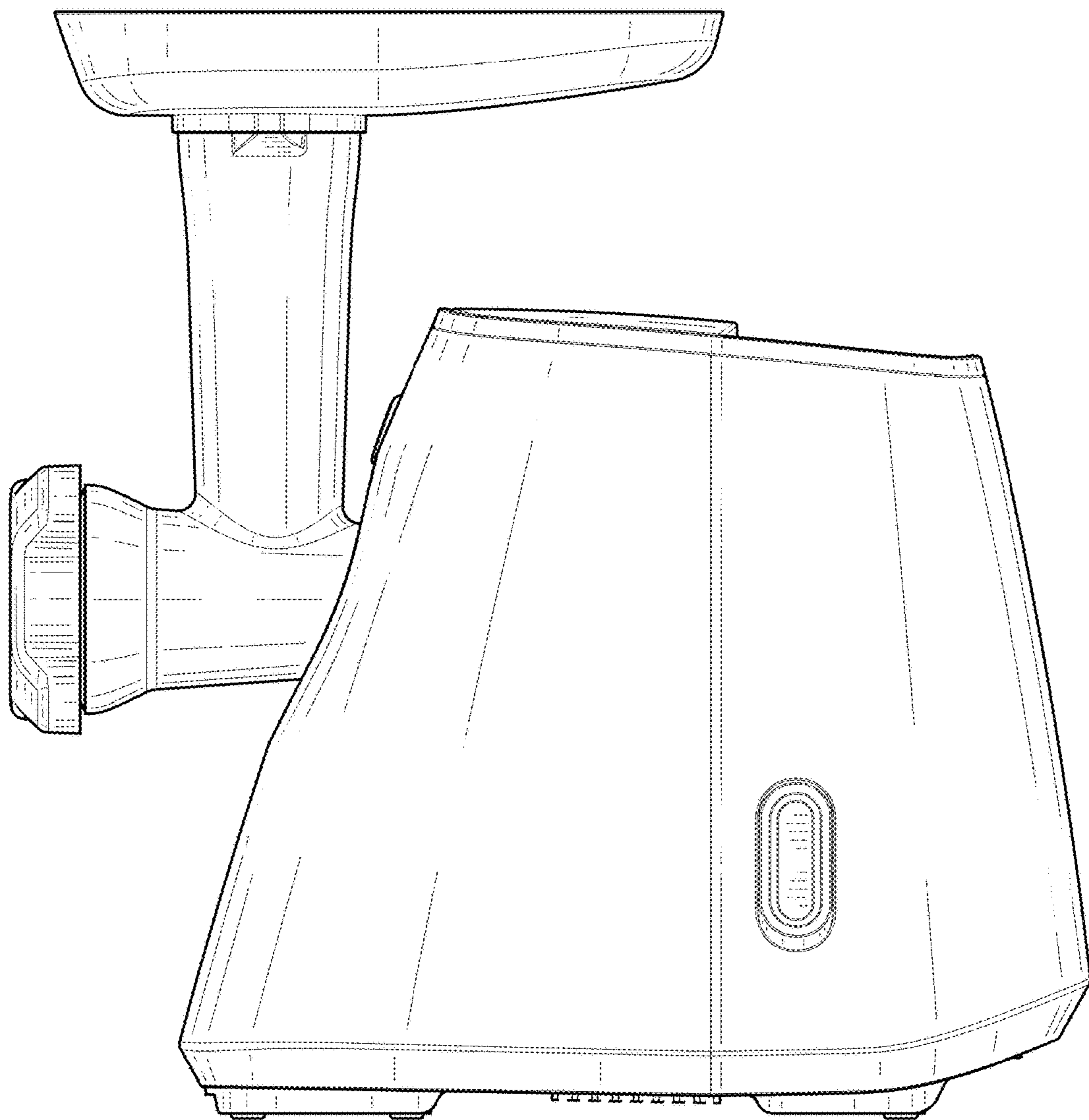


The broken lines showing portions of the meat mincer form
no part of the claimed design.

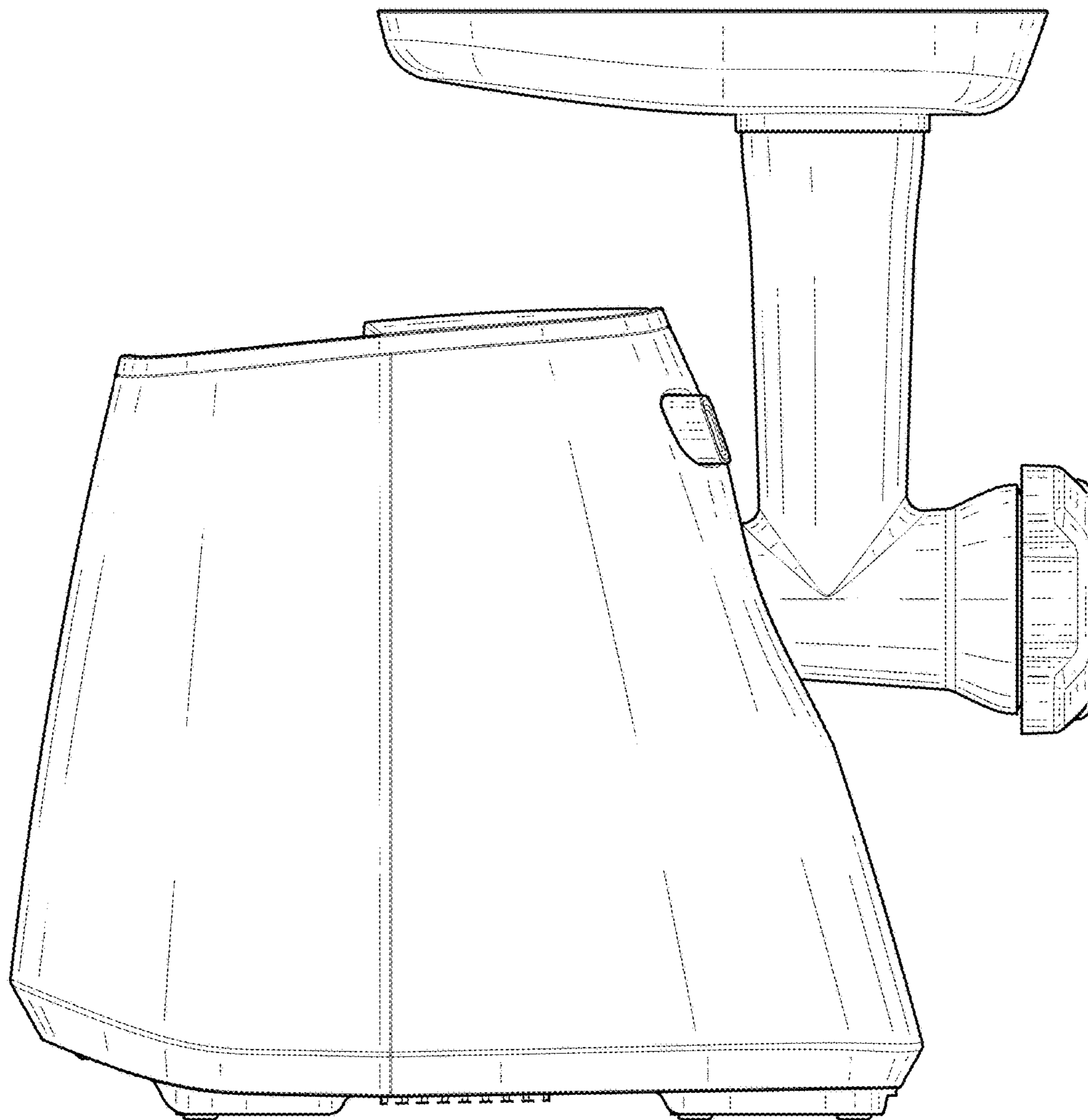
1 Claim, 6 Drawing Sheets



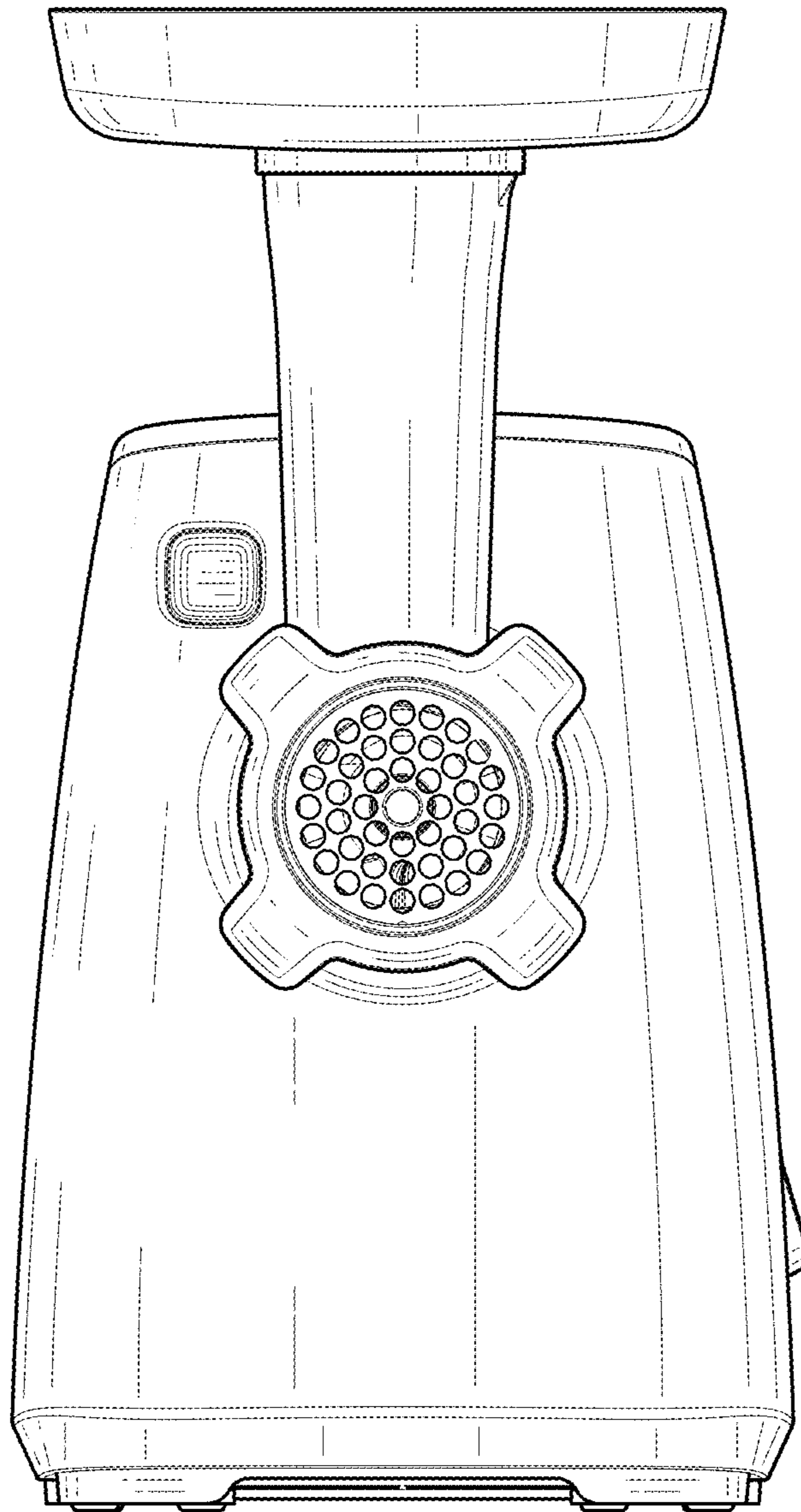
1.1



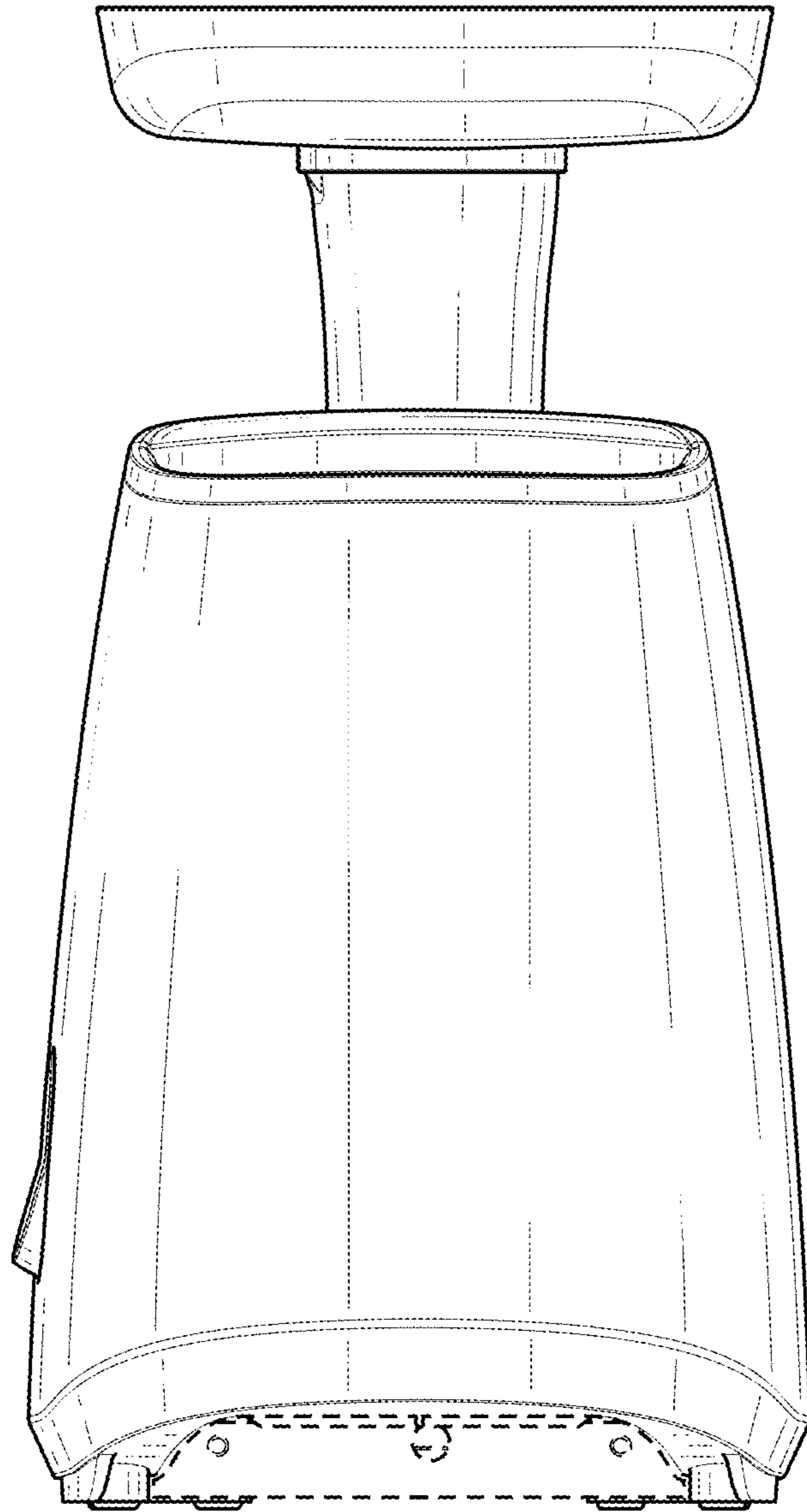
1.2



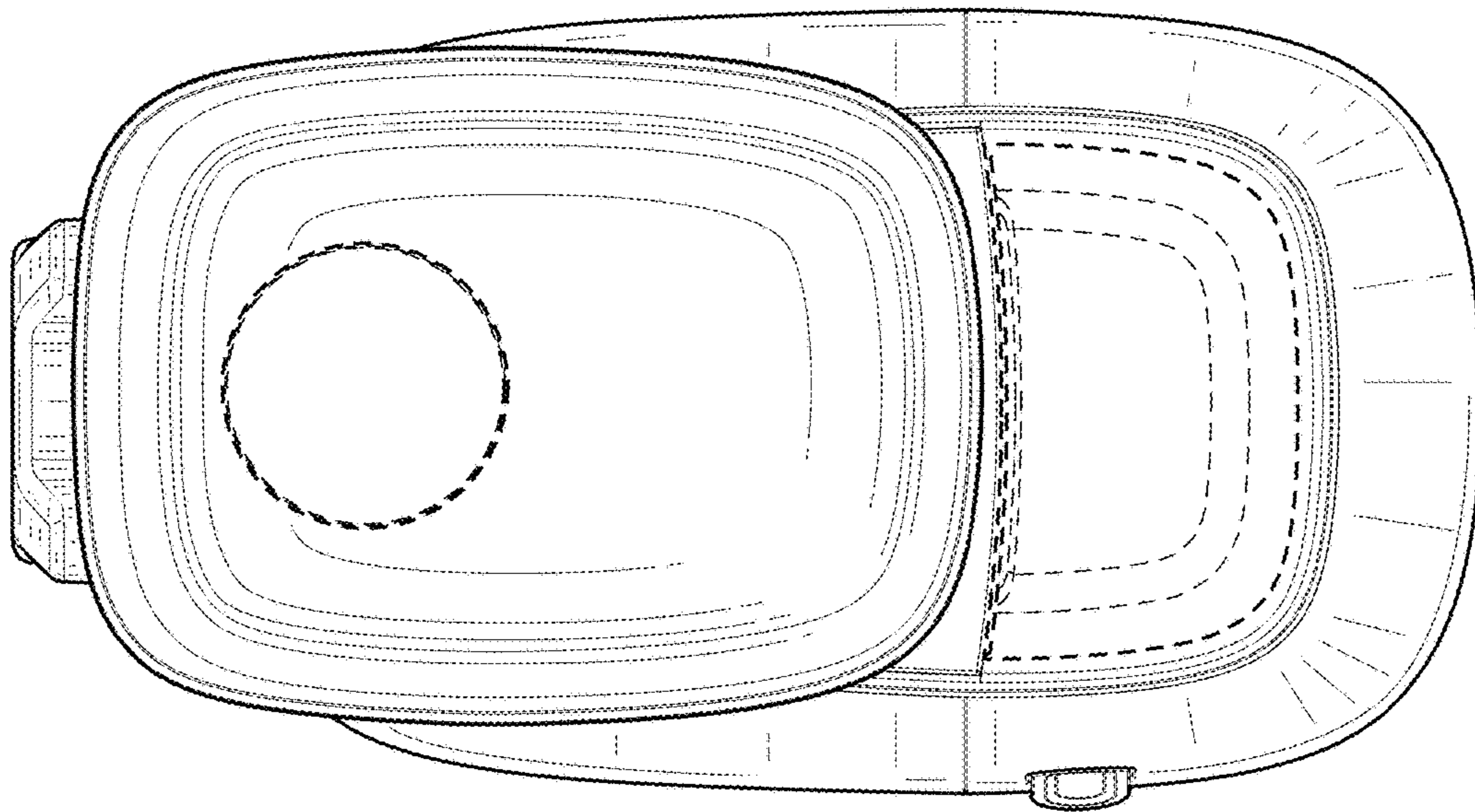
1.3



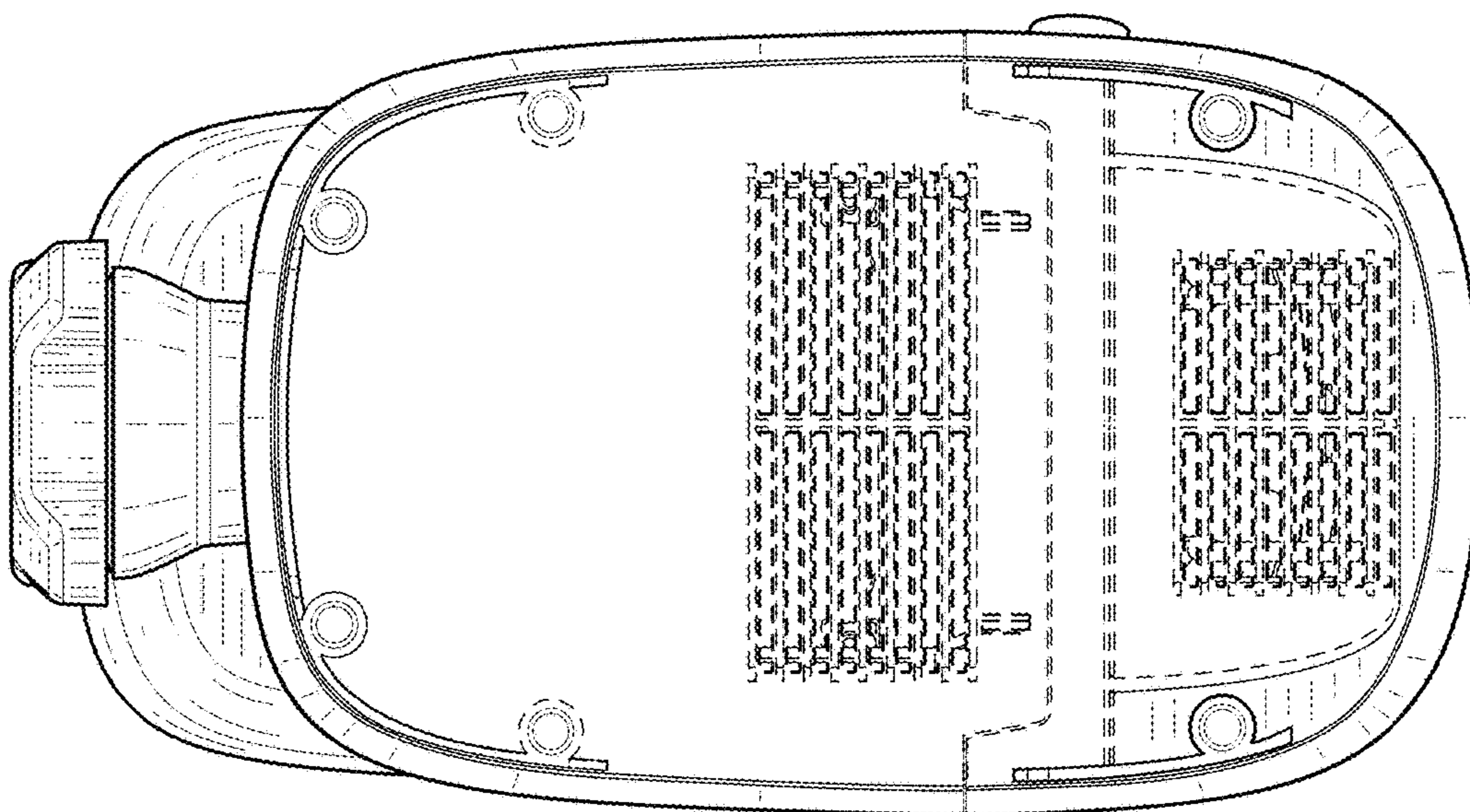
1.4



1.5



1.6



1.7