



US00D811156S

(12) **United States Design Patent**
Stein

(10) **Patent No.:** **US D811,156 S**

(45) **Date of Patent:** **** Feb. 27, 2018**

- (54) **BURNER AND COOKING POTS**
- (71) Applicant: **ESBIT Compagnie GmbH**, Hamburg (DE)
- (72) Inventor: **Roberto Stein**, Hamburg (DE)
- (73) Assignee: **ESBIT Compagnie GmbH**, Hamburg (DE)

- D321,455 S * 11/1991 Duquaine, Jr. D7/326
- 6,314,867 B1 * 11/2001 Russell A47J 36/2466
219/432
- D600,971 S * 9/2009 Garpelin D7/354
- D611,758 S * 3/2010 Seymour D7/354
- D619,847 S * 7/2010 Lin D7/354
- D630,467 S * 1/2011 Harrod D7/372
- D742,682 S * 11/2015 Hager D7/354
- D767,327 S * 9/2016 McConnell D7/376

* cited by examiner

(**) Term: **15 Years**

Primary Examiner — Ricky Pham

(21) Appl. No.: **29/579,335**

(74) *Attorney, Agent, or Firm* — Alix, Yale & Ristas, LLP

(22) Filed: **Sep. 29, 2016**

(57) **CLAIM**

(30) **Foreign Application Priority Data**

The ornamental design for the burner and cooking pots, as shown and described.

Apr. 1, 2016 (EM) 003052299-0002

DESCRIPTION

(51) **LOC (11) Cl.** **07-02**

(52) **U.S. Cl.**
USPC **D7/356; D7/355**

(58) **Field of Classification Search**
USPC D7/317, 323, 354–363, 376, 378, 384,
D7/391, 393–396, 409
CPC A47G 19/12; A47J 27/00; A47J 27/002;
A47J 27/08; A47J 27/21; A47J 27/58;
A47J 36/025; A47J 36/06; A47J 36/12;
A47J 36/2466; A47J 37/00; A47J 37/10;
A47J 37/101; A47J 37/103; A47J 37/12;
A47J 37/1204; A47J 45/061; A47J
45/071; A47J 45/08; H05B 6/12
See application file for complete search history.

FIG. 1 is a front view of a burner and cooking pots showing my new design, no claim is made to the appearance of the interior surfaces of the burner, which appears below the cooking pots;

FIG. 2 is a rear view thereof, no claim is made to the appearance of the interior surfaces of the burner, which appears below the cooking pots;

FIG. 3 is a right side view thereof, no claim is made to the appearance of the interior surfaces of the burner, which appears below the cooking pots;

FIG. 4 is a left side view thereof no claim is made to the appearance of the interior surfaces of the burner, which appears below the cooking pots; and,

FIG. 5 is a top view thereof.

No claim is made to the bottom view.

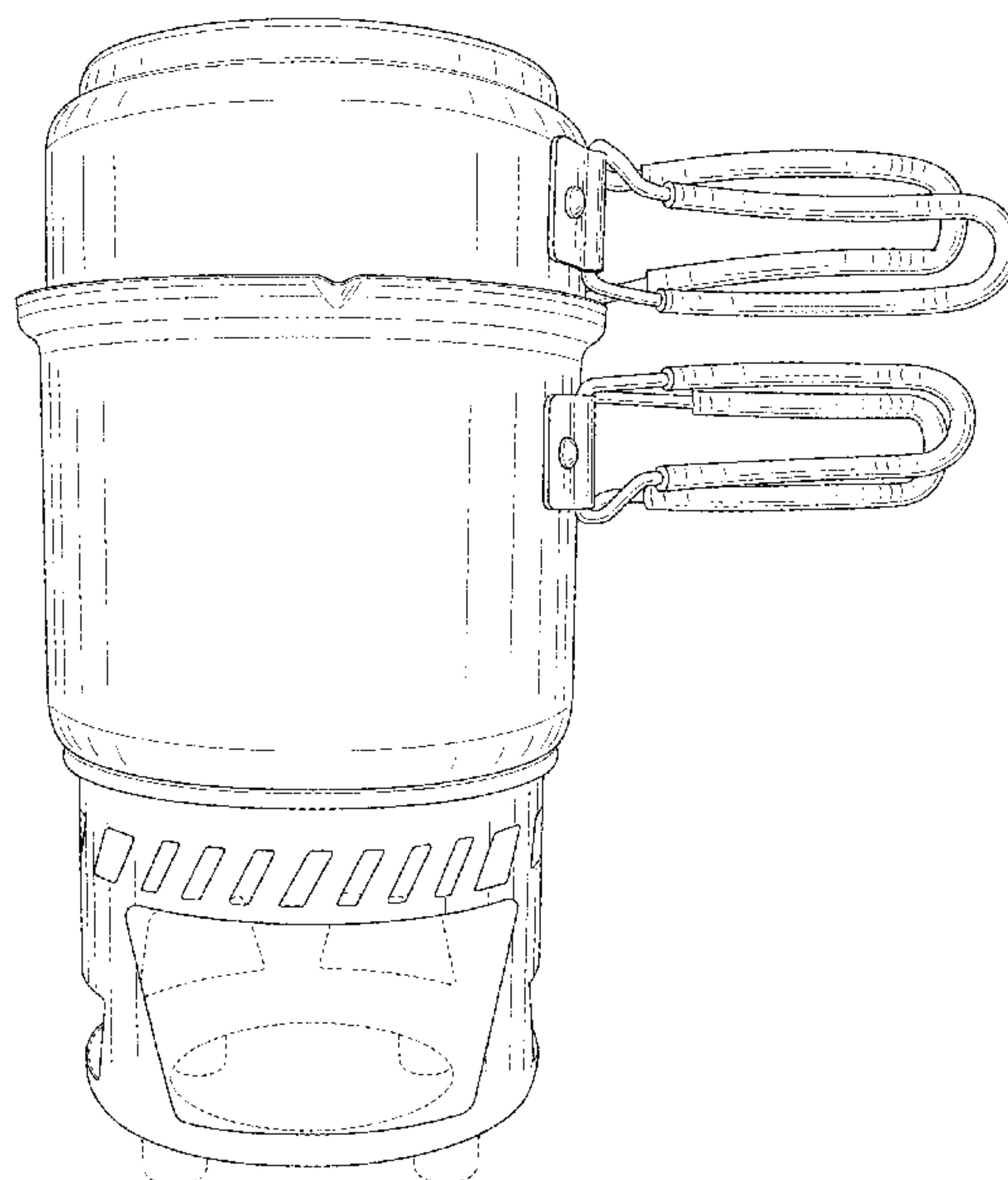
No claim is made to the bottom view or to the portions shown in broken lines.

(56) **References Cited**

U.S. PATENT DOCUMENTS

- D260,350 S * 8/1981 Kahlcke D7/378
- D315,271 S * 3/1991 Rauch D7/300

1 Claim, 5 Drawing Sheets



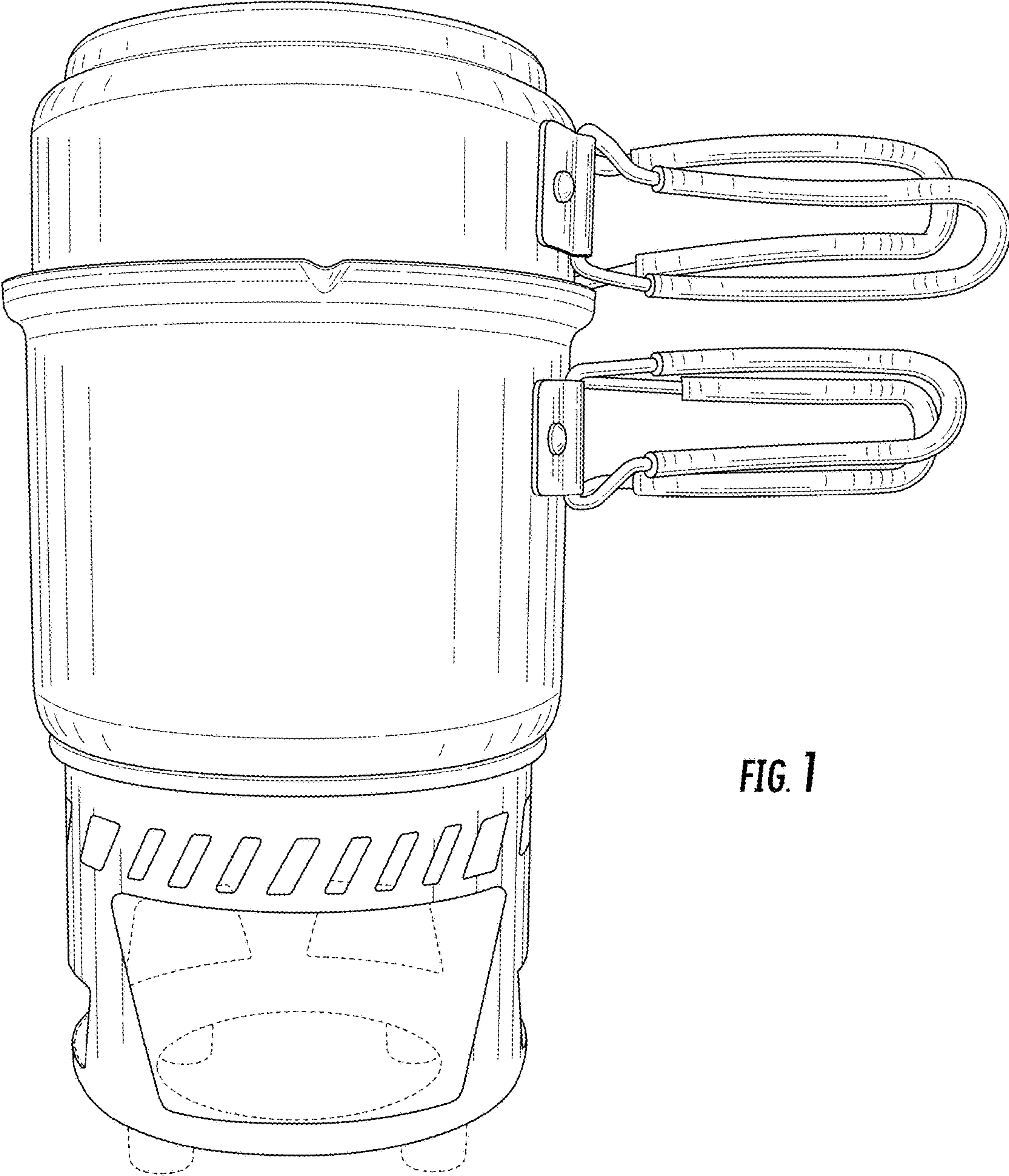


FIG. 1

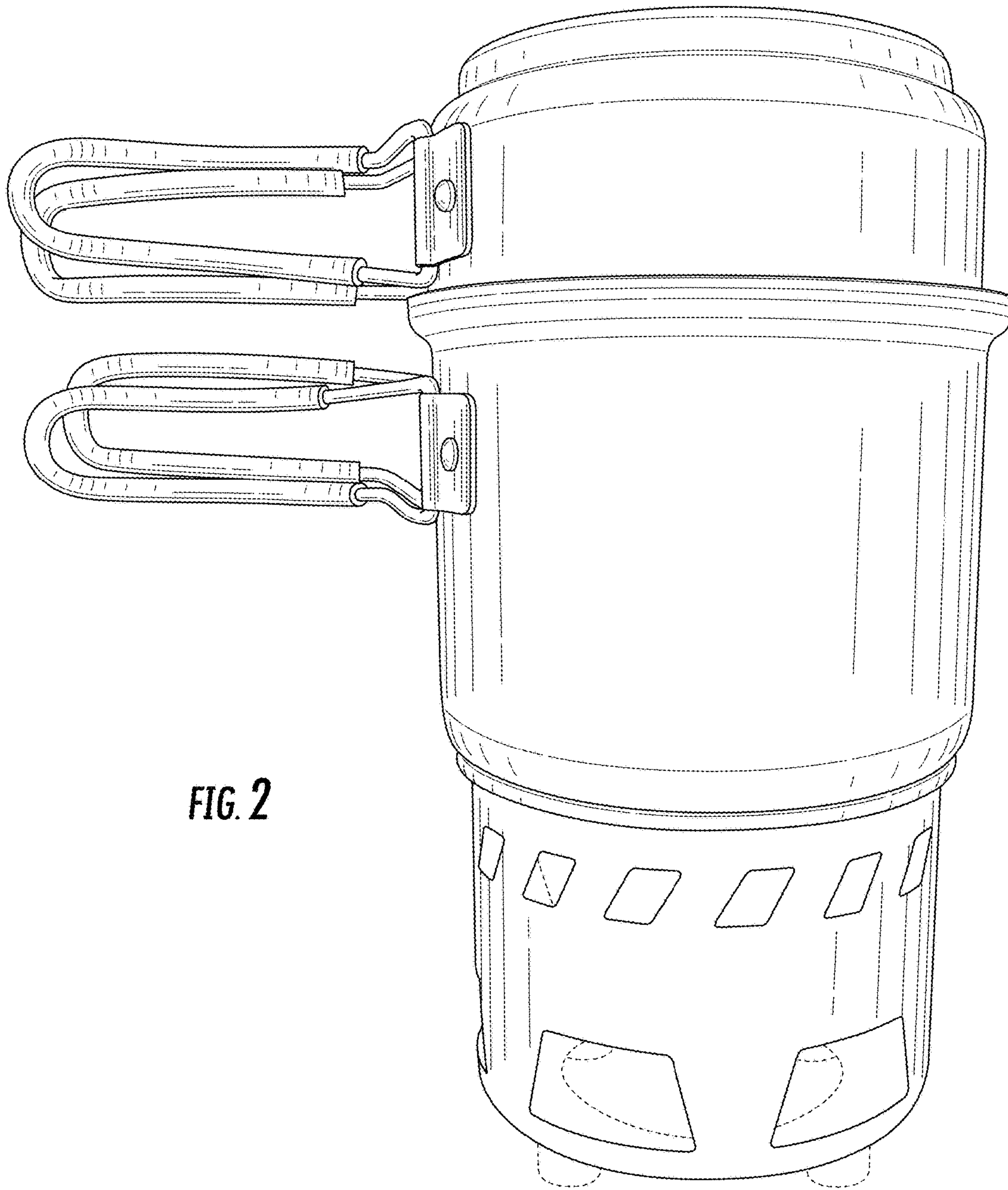


FIG. 2

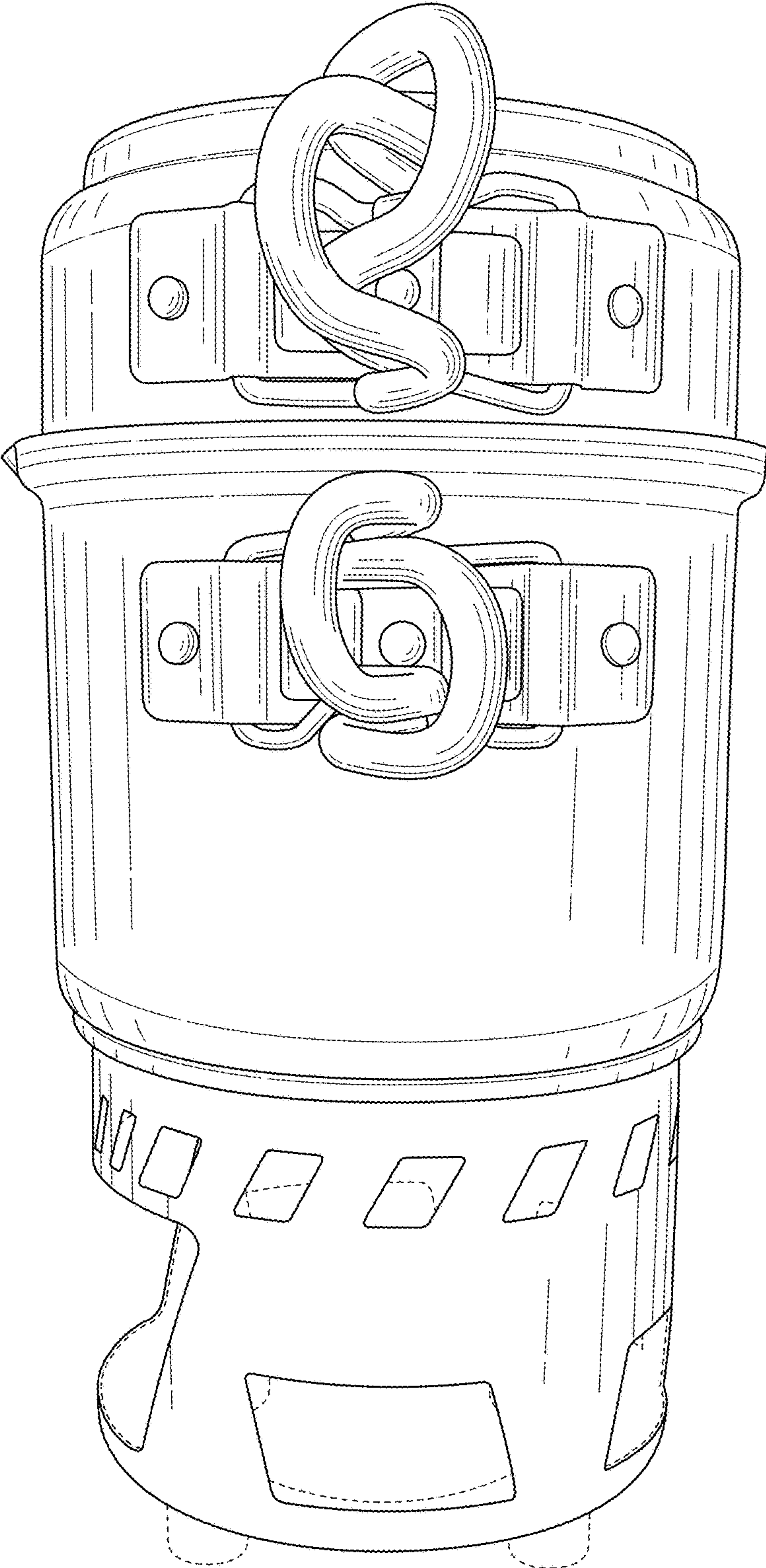


FIG. 3

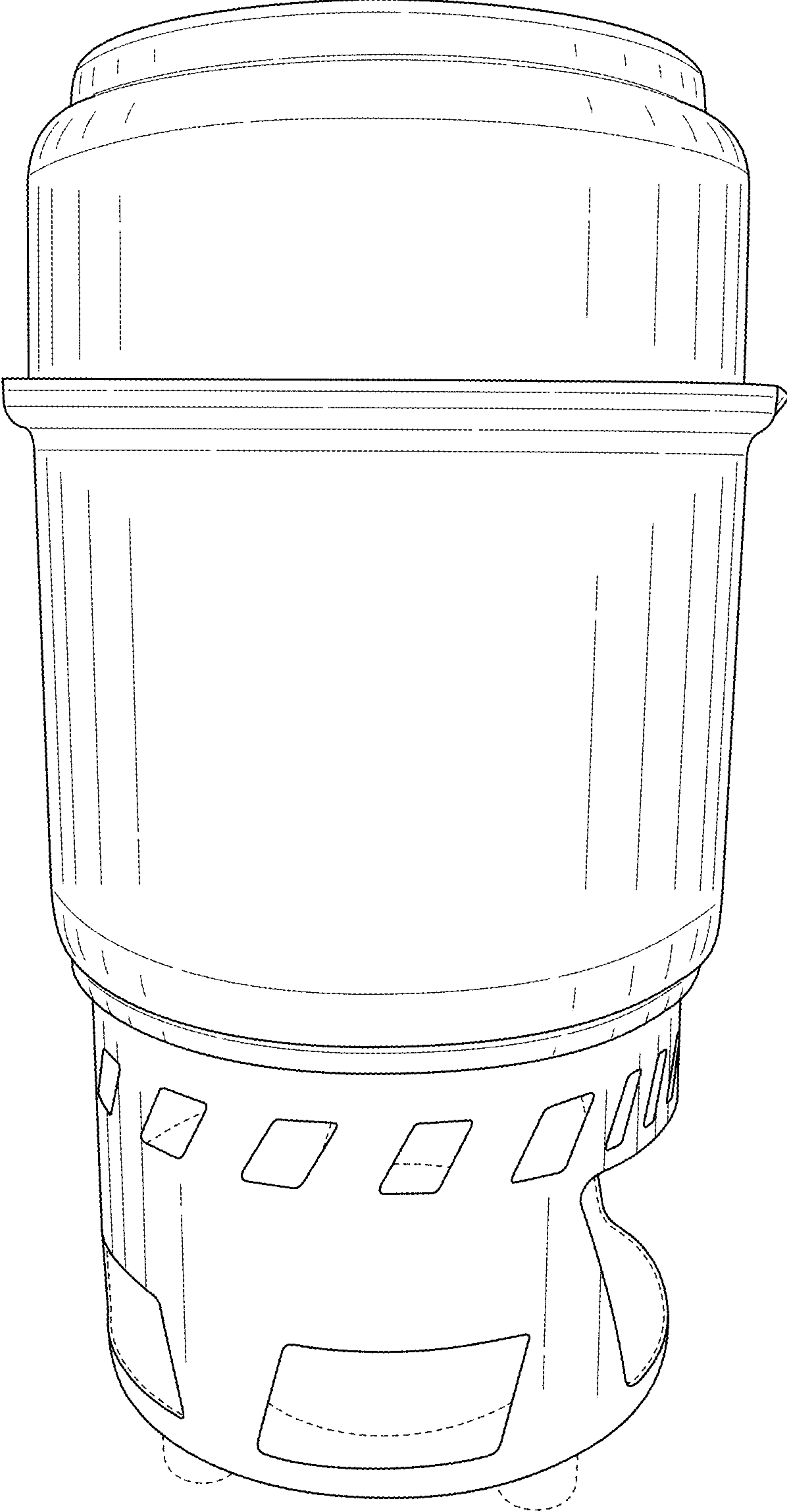


FIG. 4

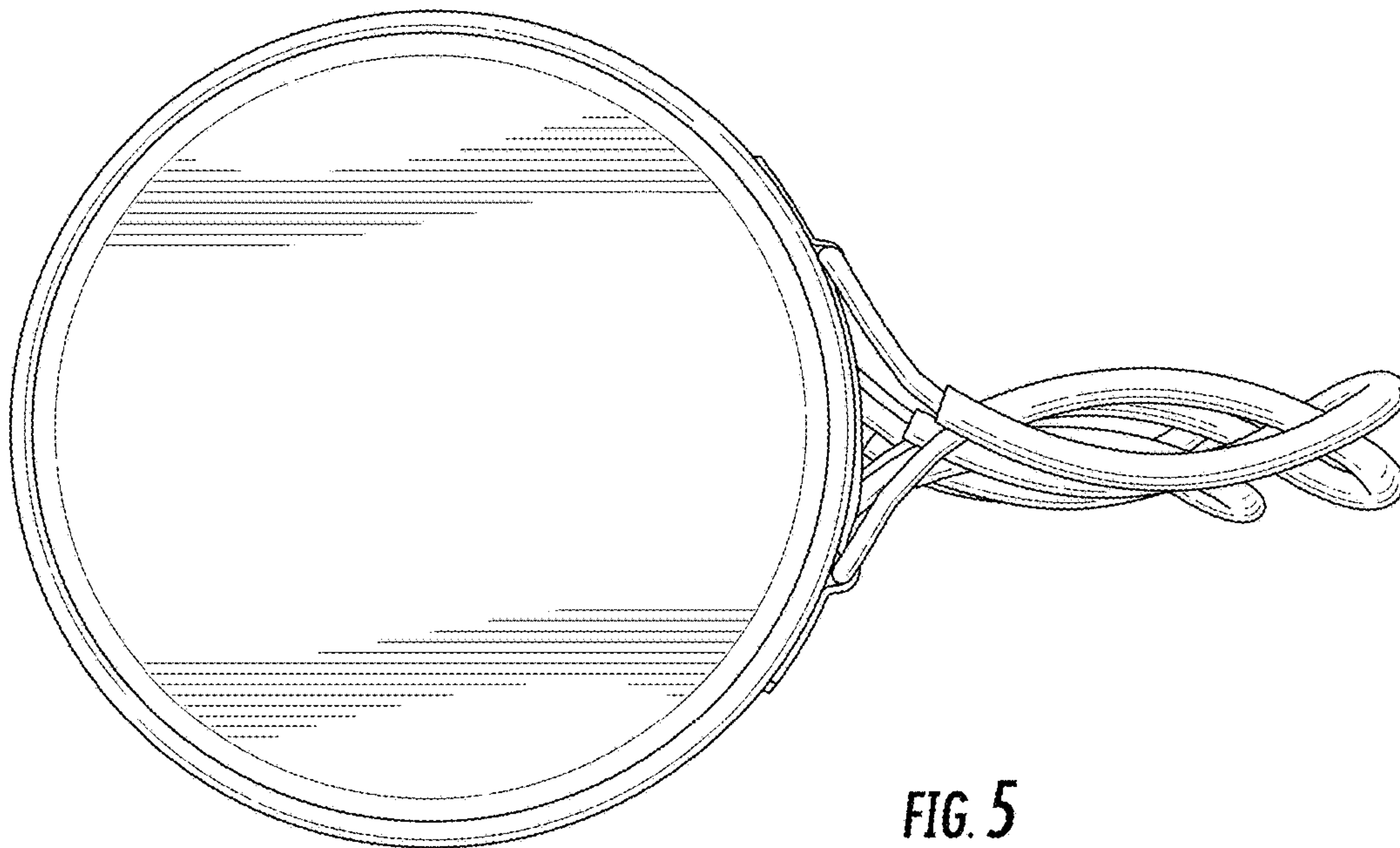


FIG. 5