



US00D811153S

(12) **United States Design Patent** (10) **Patent No.:** **US D811,153 S**  
**Mansueto et al.** (45) **Date of Patent:** **\*\* Feb. 27, 2018**

(54) **BARBEQUE**  
(71) Applicant: **SHRIRO AUSTRALIA PTY LIMITED**, Kingsgrove, New South Wales (AU)  
(72) Inventors: **David Mansueto**, New South Wales (AU); **David Jones**, New South Wales (AU); **Anson Li**, New South Wales (AU)  
(73) Assignee: **SHRIRO AUSTRALIA PTY LIMITED**, Kingsgrove, New South Wales (AU)

D533,009 S \* 12/2006 Pai ..... D7/334  
D533,010 S \* 12/2006 Pai ..... D7/334  
D535,846 S \* 1/2007 Debord ..... D7/334  
D560,416 S \* 1/2008 Sedberry ..... D7/334  
D569,168 S \* 5/2008 Pai ..... D7/334  
D571,602 S \* 6/2008 Chung ..... D7/334  
D581,199 S \* 11/2008 Chau ..... D7/334  
D584,562 S \* 1/2009 Chau ..... D7/334  
D586,609 S \* 2/2009 Chau ..... D7/334  
D635,814 S \* 4/2011 Leavens ..... D7/334  
D688,510 S \* 8/2013 Stirn ..... D7/334  
D688,512 S \* 8/2013 Chung ..... D7/334  
D693,624 S \* 11/2013 Chung ..... D7/334  
D694,056 S \* 11/2013 Dahle ..... D7/334  
D694,568 S \* 12/2013 Alden ..... D7/334  
D723,322 S \* 3/2015 Strauch ..... D7/334  
D723,860 S \* 3/2015 Chung ..... D7/334  
D747,911 S \* 1/2016 Sheppard ..... D34/14  
D769,668 S \* 10/2016 Lally ..... D7/334

(\*\*) Term: **15 Years**

(21) Appl. No.: **29/564,667**

(22) Filed: **May 13, 2016**

(30) **Foreign Application Priority Data**

Nov. 13, 2015 (AU) ..... 201516069

(51) **LOC (11) Cl.** ..... **07-02**

(52) **U.S. Cl.**  
USPC ..... **D7/334**

(58) **Field of Classification Search**  
USPC ..... D7/213, 323, 324, 325, 326, 327, 328,  
D7/329, 330, 331, 332, 333, 334, 335,  
D7/336, 337, 402, 405, 406, 407, 404  
CPC .... G05D 7/00; F24F 13/07; F24C 5/00; F24C  
5/20; F24C 3/00; F24C 3/10; F24C 3/12;  
F24C 15/06; F24C 15/10; F24C 15/16;  
F24C 15/20; F24B 3/00; F23N 5/22;  
B60H 3/00; B32B 15/04; A62C 3/00;  
A47J 43/18

See application file for complete search history.

(56) **References Cited**

U.S. PATENT DOCUMENTS

D462,227 S \* 9/2002 Alden ..... D7/334  
D494,004 S \* 8/2004 Chapman ..... D7/334

(Continued)

*Primary Examiner* — Susan Bennett Hattan

*Assistant Examiner* — Suzanne E Tisdell

(74) *Attorney, Agent, or Firm* — Ladas & Parry, LLP

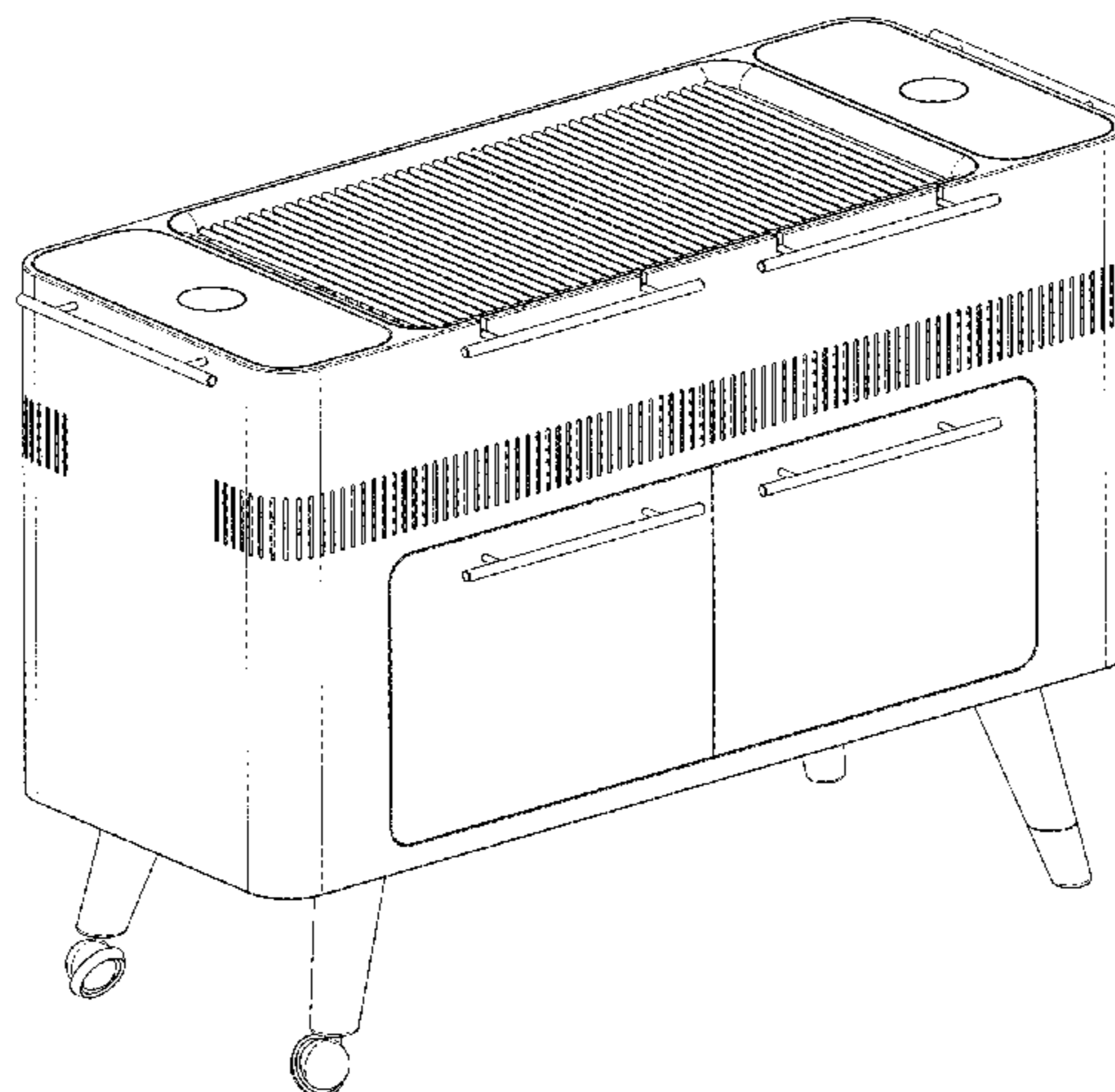
(57) **CLAIM**

We claim the ornamental design for a barbeque, as shown and described.

**DESCRIPTION**

FIG. 1 is a front perspective view of a barbeque in accordance with the design;  
FIG. 2 is a front view of the design thereof;  
FIG. 3 is a right side view of the design thereof;  
FIG. 4 is a left side view of the design thereof;  
FIG. 5 is a top view of the design thereof; and,  
FIG. 6 is a bottom view of the design thereof.  
The broken lines in the Figures are for environmental purposes only and form no part of the claimed design.

**1 Claim, 5 Drawing Sheets**



(56)

**References Cited**

U.S. PATENT DOCUMENTS

2007/0204858 A1\* 9/2007 Abelbeck ..... F24C 3/12  
126/41 R  
2008/0229937 A1\* 9/2008 Stephen ..... A47J 37/07  
99/421 R  
2010/0297321 A1\* 11/2010 Strauch ..... A47J 37/041  
426/523  
2011/0219958 A1\* 9/2011 Noble ..... A23B 4/044  
99/473  
2013/0112088 A1\* 5/2013 May ..... A47J 37/07  
99/421 H  
2015/0004297 A1\* 1/2015 Pothetes ..... A47J 37/00  
426/523  
2016/0198895 A1\* 7/2016 Turner ..... A47J 37/0676  
99/445  
2016/0208837 A1\* 7/2016 Chang ..... F16B 5/02  
2016/0360924 A1\* 12/2016 Bruin-Slot ..... A47J 37/0713

\* cited by examiner

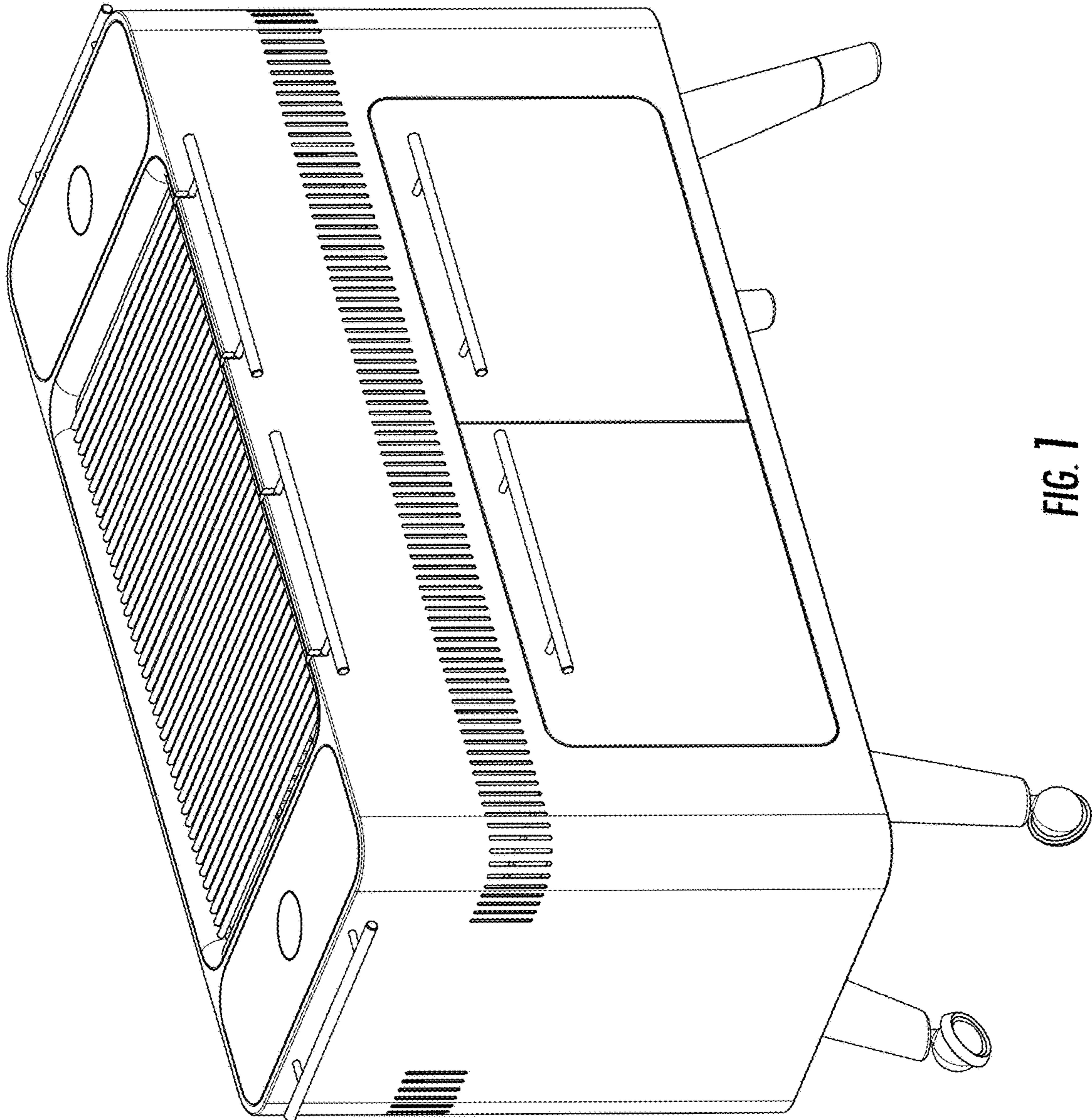


FIG. 1

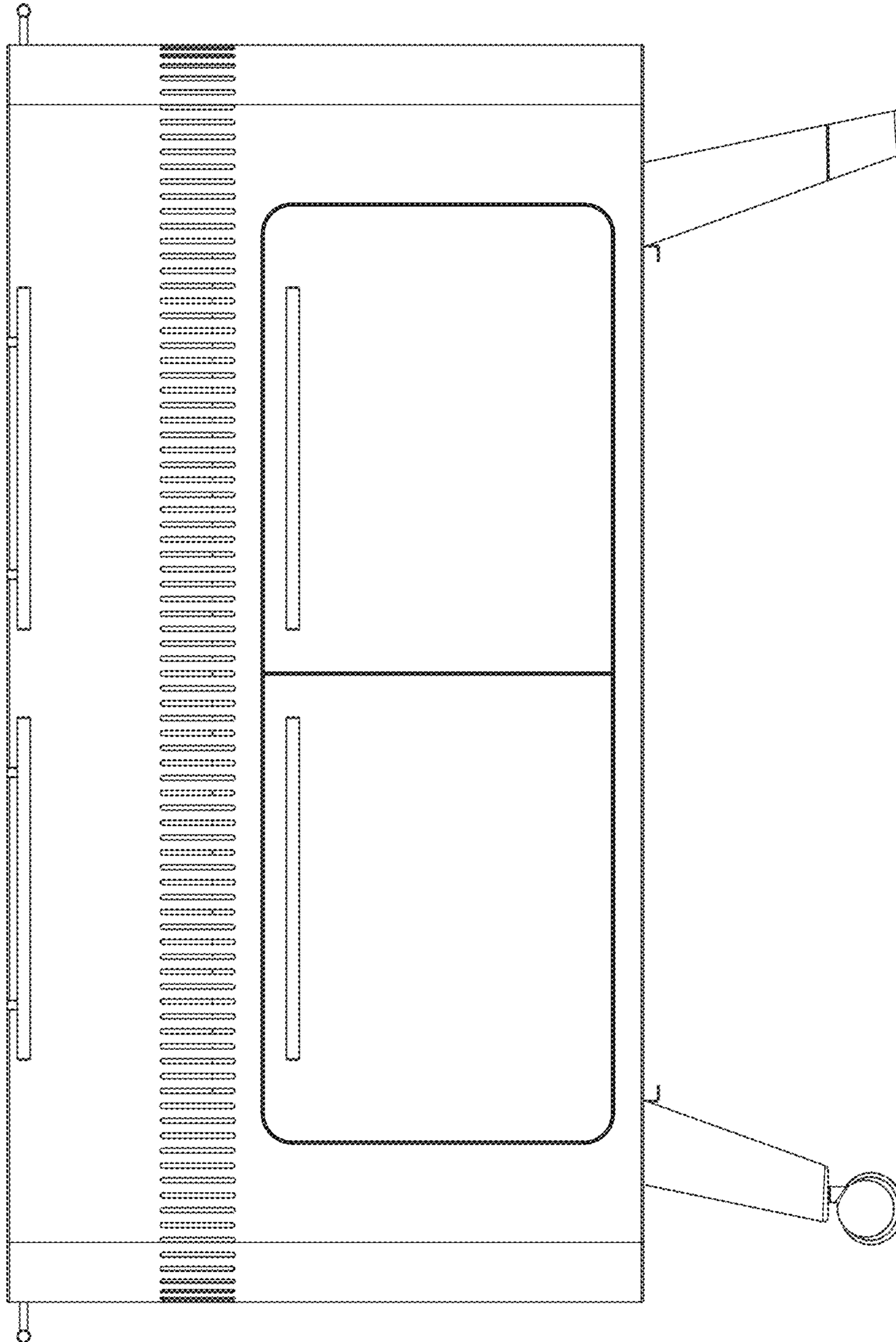


FIG. 2

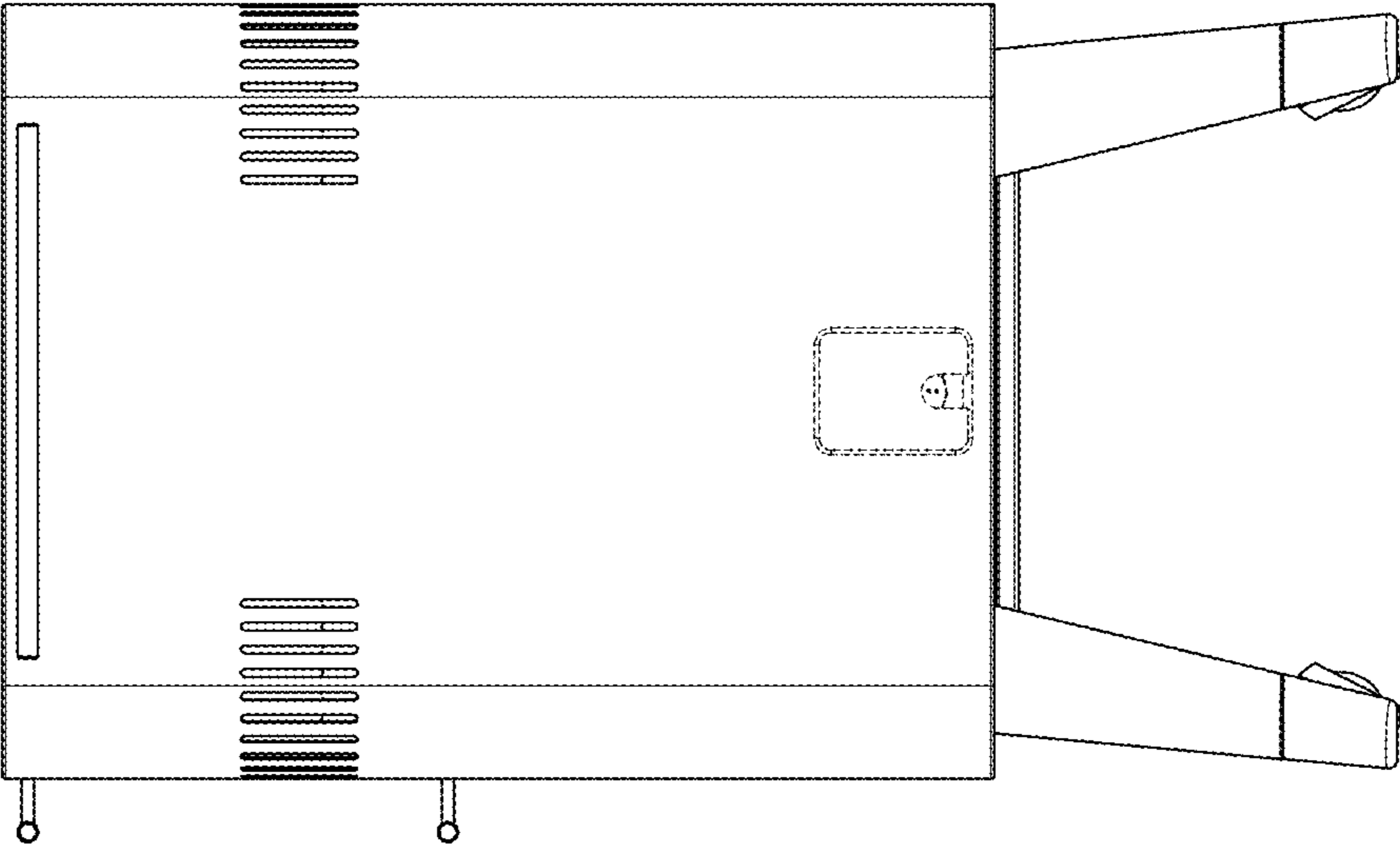


FIG. 3

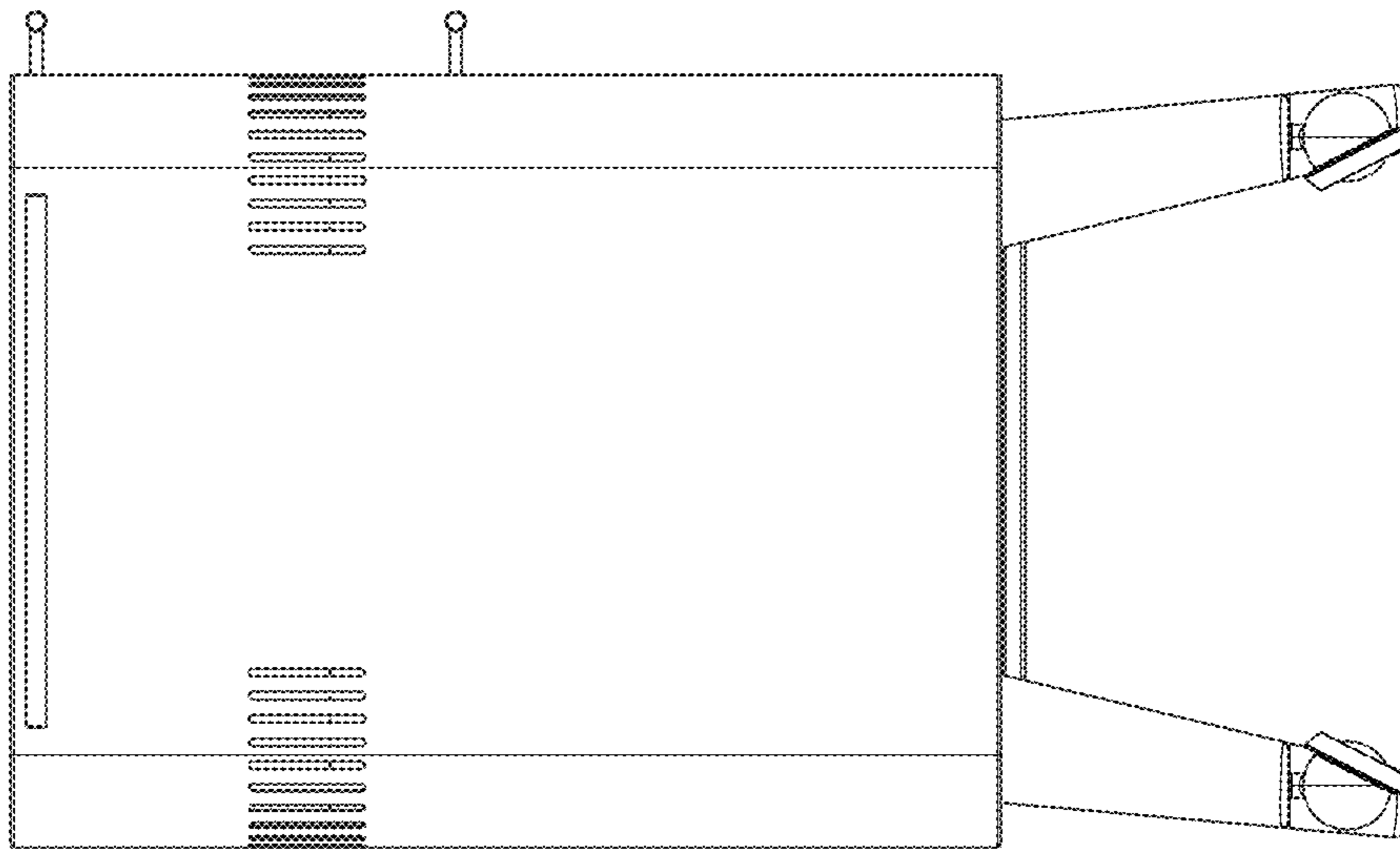


FIG. 4

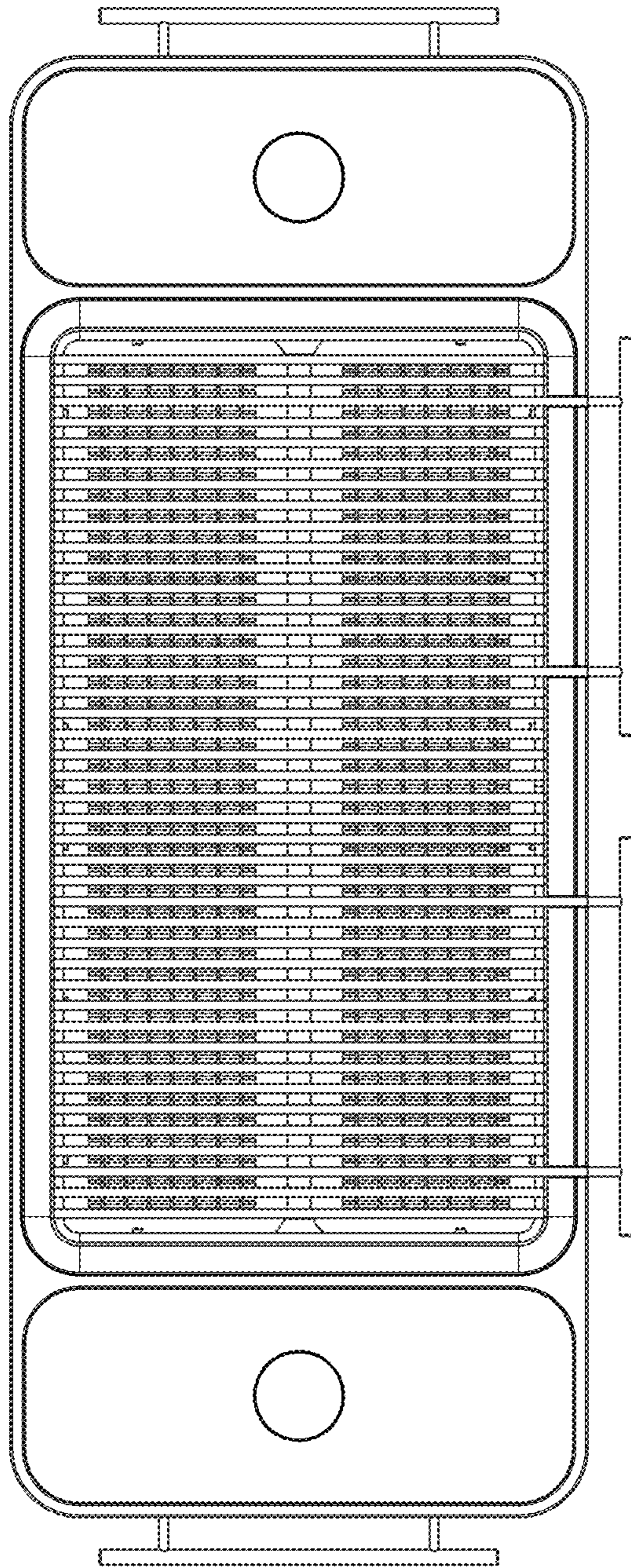


FIG. 5