



US00D811152S

(12) **United States Design Patent** (10) **Patent No.:** **US D811,152 S**
Barquin et al. (45) **Date of Patent:** **** Feb. 27, 2018**

(54) **TOASTER**

(71) Applicant: **Spectrum Brands, Inc.**, Middleton, WI (US)

(72) Inventors: **Francisco Javier Barquin**, Madison, WI (US); **Luke Charles Bradshaw**, Kalmar (SE)

(73) Assignee: **Spectrum Brands, Inc.**, Middleton, WI (US)

(**) Term: **15 Years**

(21) Appl. No.: **29/597,425**

(22) Filed: **Mar. 16, 2017**

(51) **LOC (11) Cl.** **07-02**

(52) **U.S. Cl.**
USPC **D7/330**

(58) **Field of Classification Search**
USPC D7/323, 328-330, 390
CPC ... A21B 2/00; A47J 37/00; A47J 37/06; A47J 37/0611; A47J 37/08; A47J 37/0807; A47J 37/0814; A47J 37/0835; A47J 37/0842; A47J 37/085; A47J 37/0864; A47J 37/0878; A47J 37/0885; A47J 37/0892; F24C 15/10; F24C 15/102
See application file for complete search history.

(56) **References Cited**

U.S. PATENT DOCUMENTS

D477,495 S *	7/2003	To	D7/330
D522,305 S *	6/2006	Morgan	D7/330
D594,269 S *	6/2009	Lavy	D7/330
D599,607 S *	9/2009	Verdun	D7/330
D640,893 S *	7/2011	Lindquist	D7/330
D655,564 S *	3/2012	Gregory	D7/330
D751,853 S *	3/2016	Hunt	D7/330
D759,417 S *	6/2016	Carpenter	D7/330

OTHER PUBLICATIONS

“2-Slice Digital Toaster,” Black and Decker; disclosure date unknown but prior to filing date of present application; <http://

www.blackanddeckerappliances.com/products/cooking-appliances/toasters/TR2350S-2-Slice-Toaster.aspx>.

“Bodum Bistro 2-Slice Toaster,” Wayfair; publication date unknown but prior to filing date of present application; <URL: https://www.wayfair.com/Bodum-Bistro-2-Slice-Toaster-BMO1002.html>.

“Smeg 4-Slice Toaster,” Williams Sonoma; publication date unknown but prior to filing date of present application; <URL: http://www.williams-sonoma.com/products/smeg-4-slice-toaster/#>.

“Stefano Giovannoni for Alessi Toaster with Bun Warmer,” All Modern; publication date unknown but prior to filing date of present application; <URL: https://www.allmodern.com/Alessi-Stefano-Giovannoni-Toaster-with-Bun-Warmer-AAS2328.html>.

* cited by examiner

Primary Examiner — Ricky Pham

(74) *Attorney, Agent, or Firm* — Banner & Witcoff, Ltd.

(57) **CLAIM**

The ornamental design for a toaster, as shown and described.

DESCRIPTION

FIG. 1 is a front perspective view of a toaster showing our new design;

FIG. 2 is a front view thereof;

FIG. 3 is a rear view thereof;

FIG. 4 is a right side view thereof;

FIG. 5 is a left side view thereof;

FIG. 6 is a top view thereof;

FIG. 7 is a front perspective view of an alternative embodiment of a toaster showing our new design;

FIG. 8 is a front view thereof;

FIG. 9 is a rear view thereof;

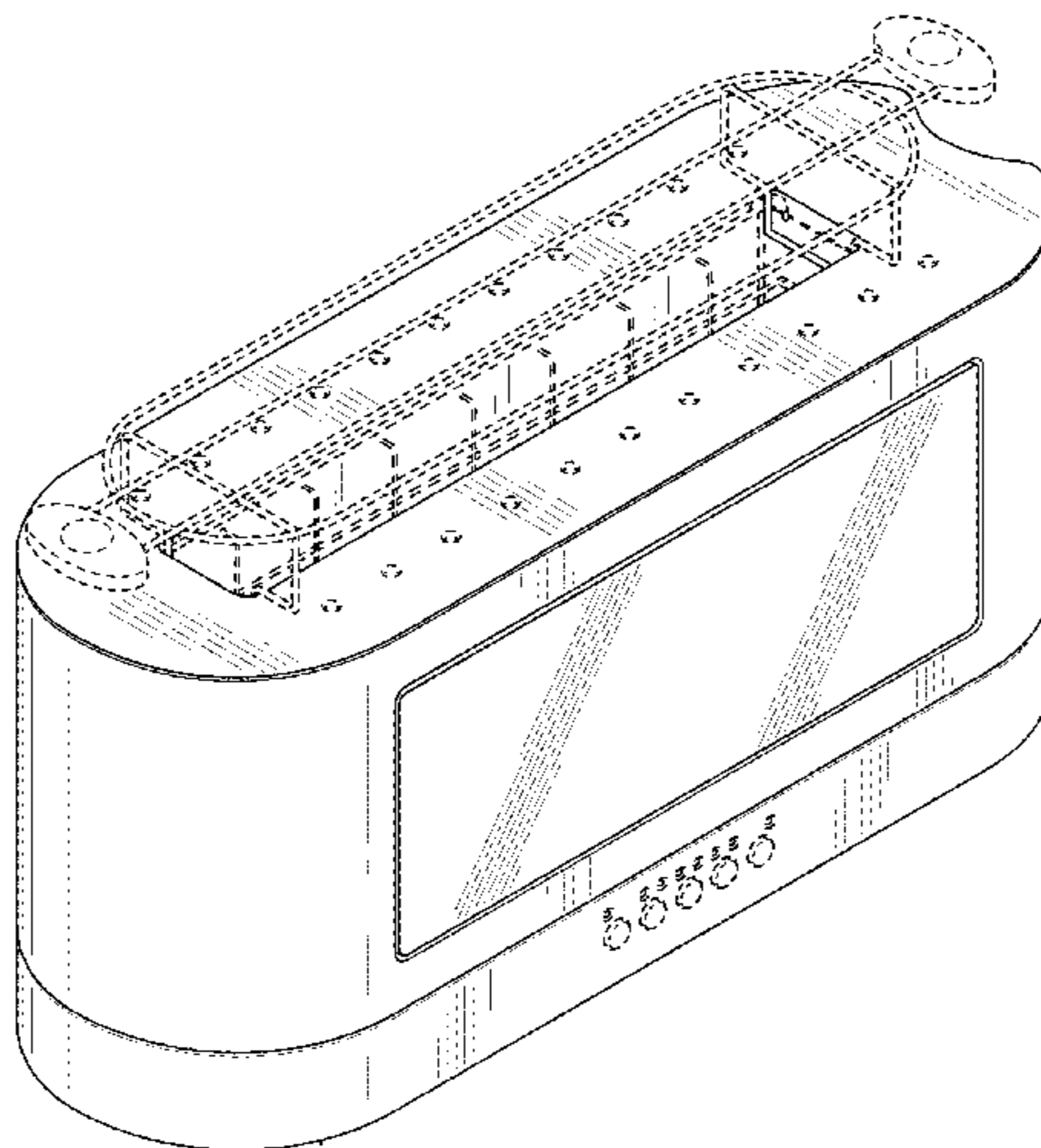
FIG. 10 is a right side view thereof;

FIG. 11 is a left side view thereof; and,

FIG. 12 is a top view thereof.

The broken line showing of various portions of the toaster represents unclaimed subject matter and forms no part of the claimed design.

1 Claim, 12 Drawing Sheets



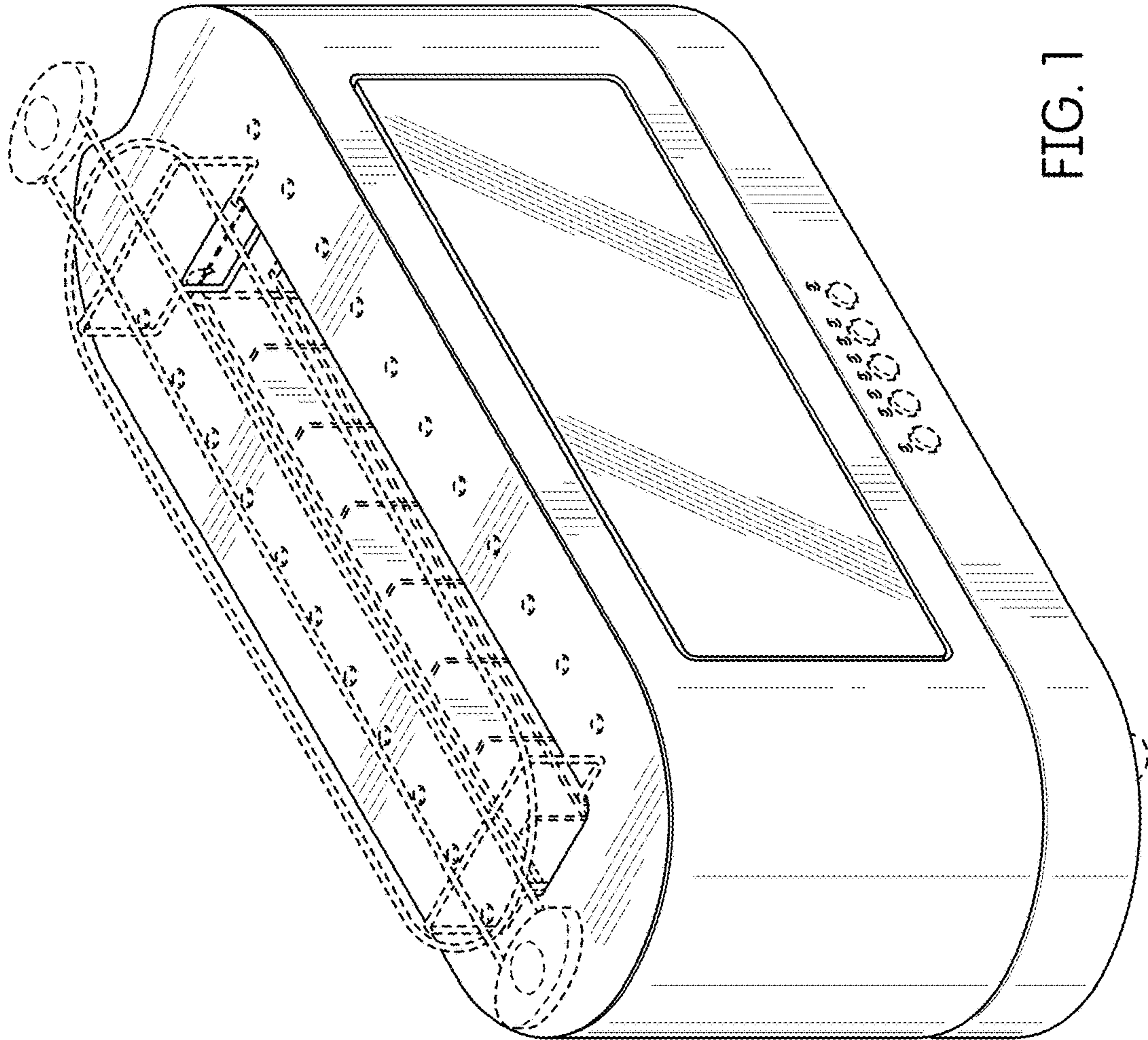


FIG. 1

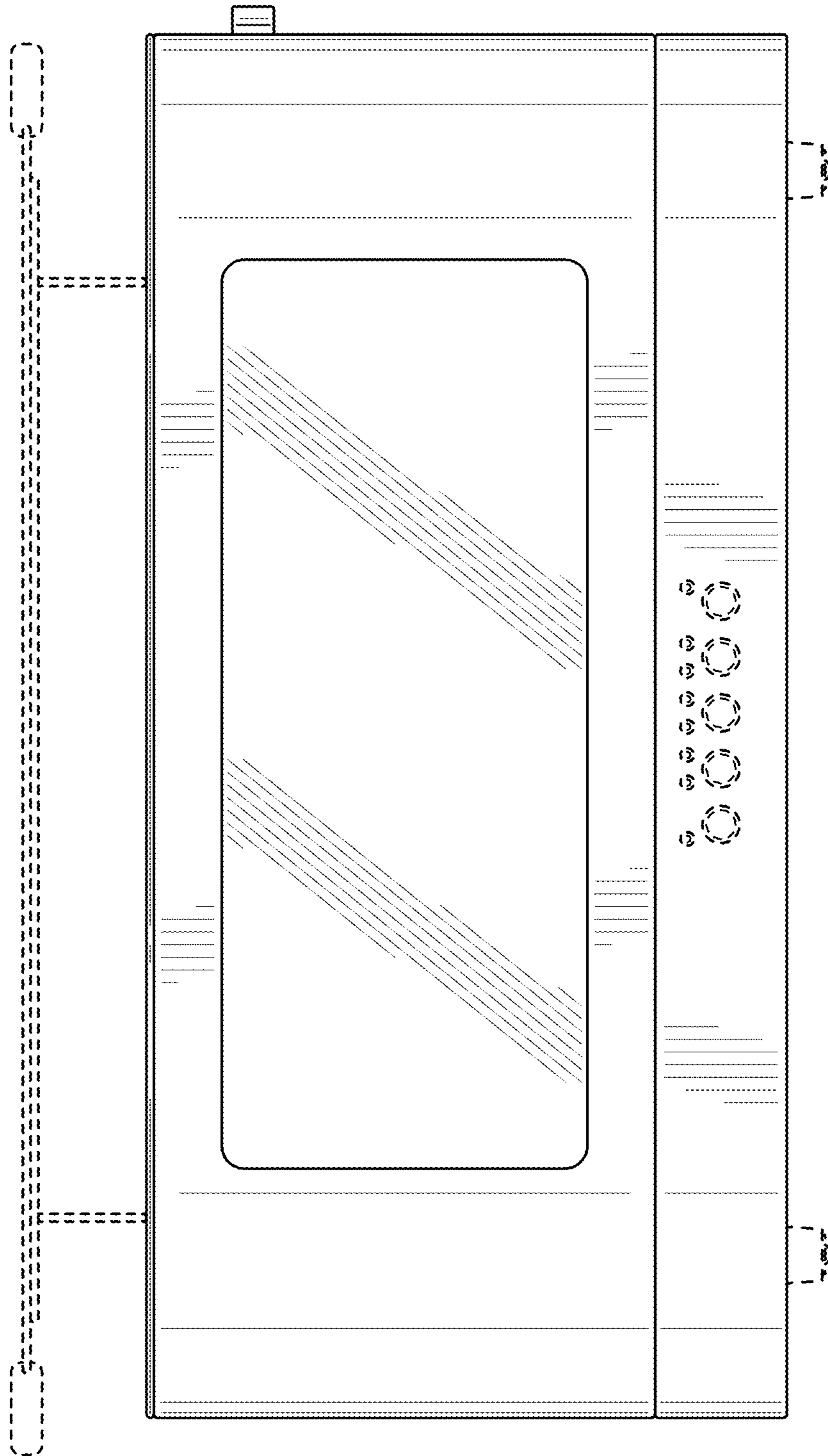


FIG. 2

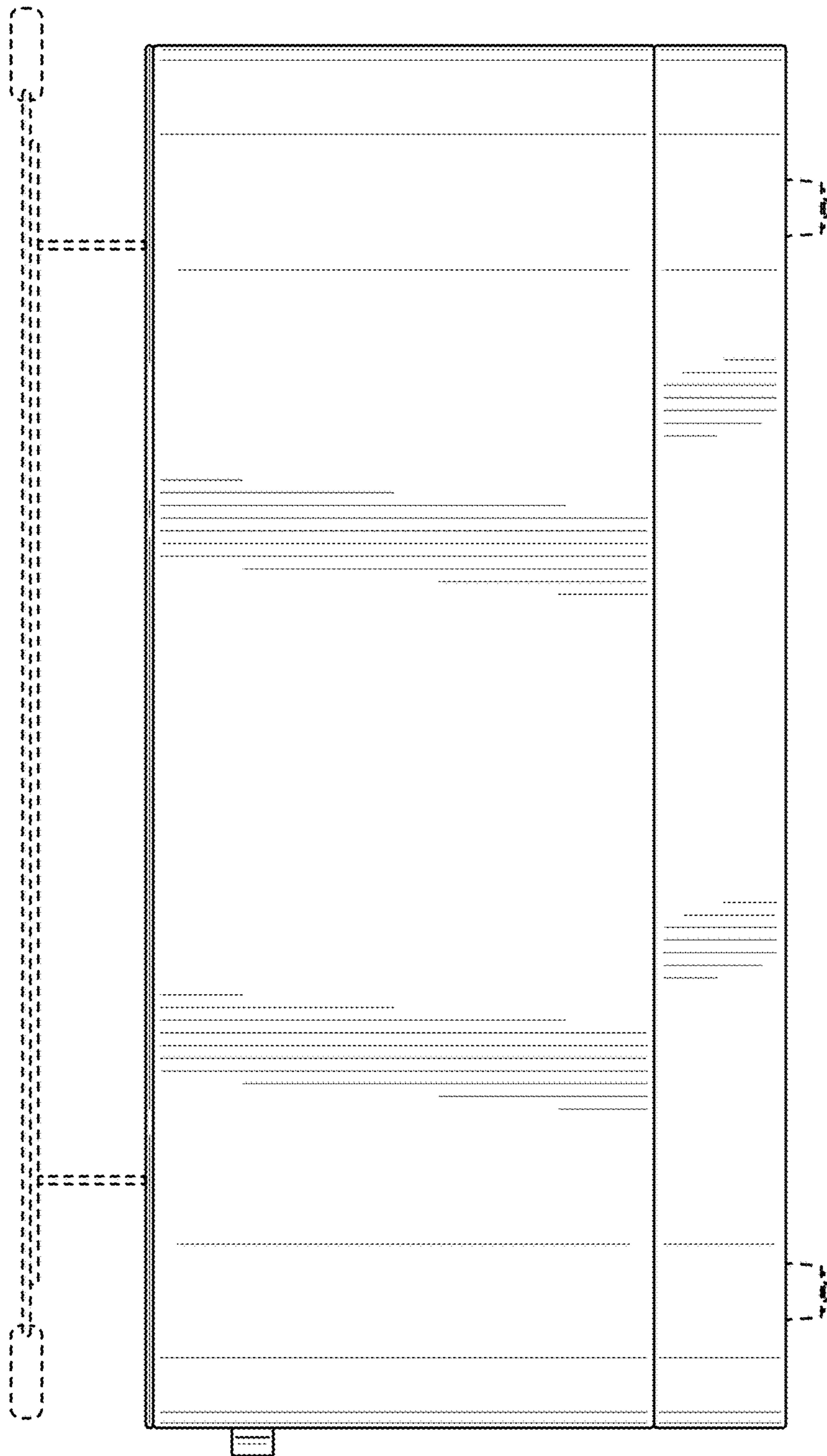


FIG. 3

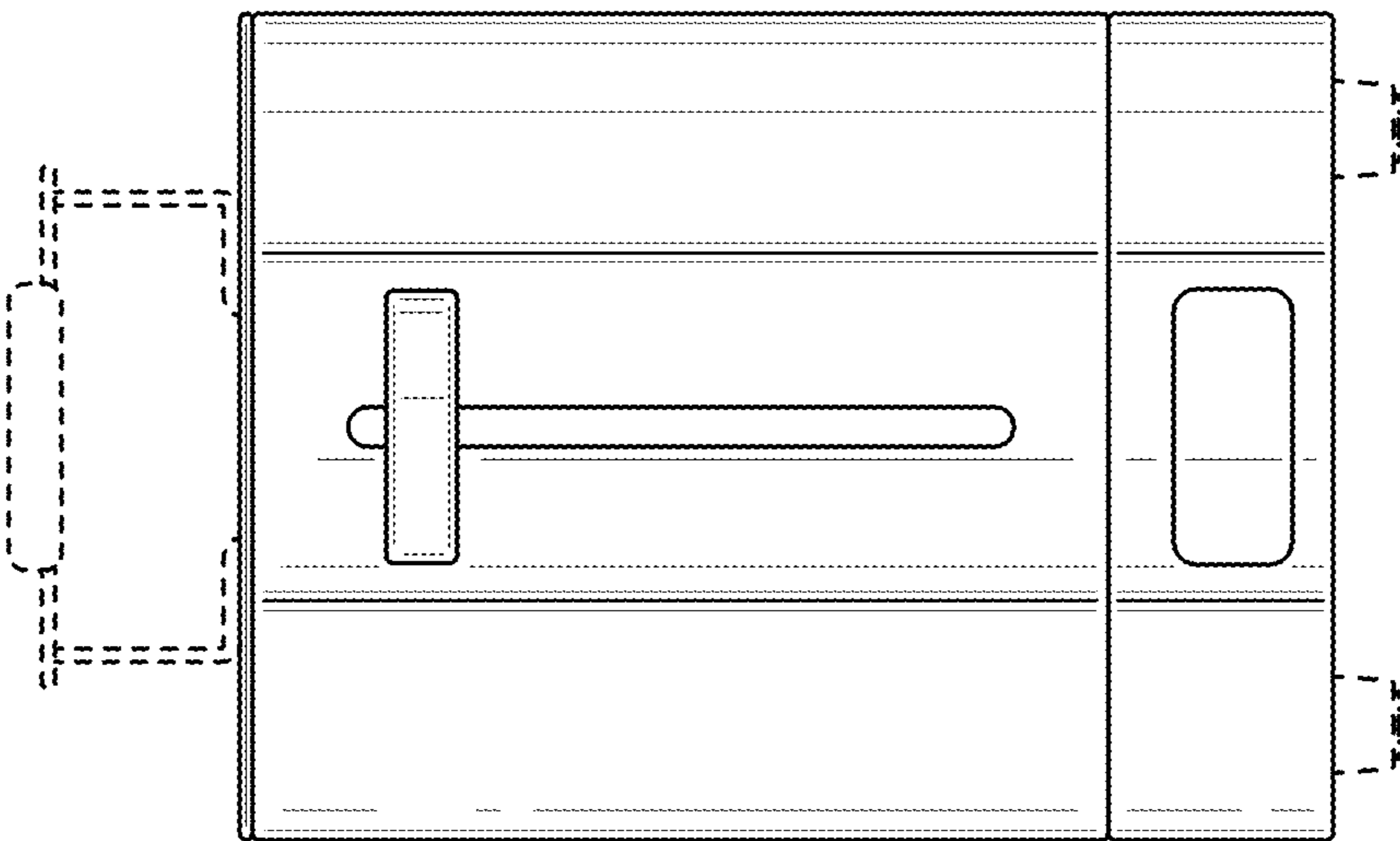


FIG. 4

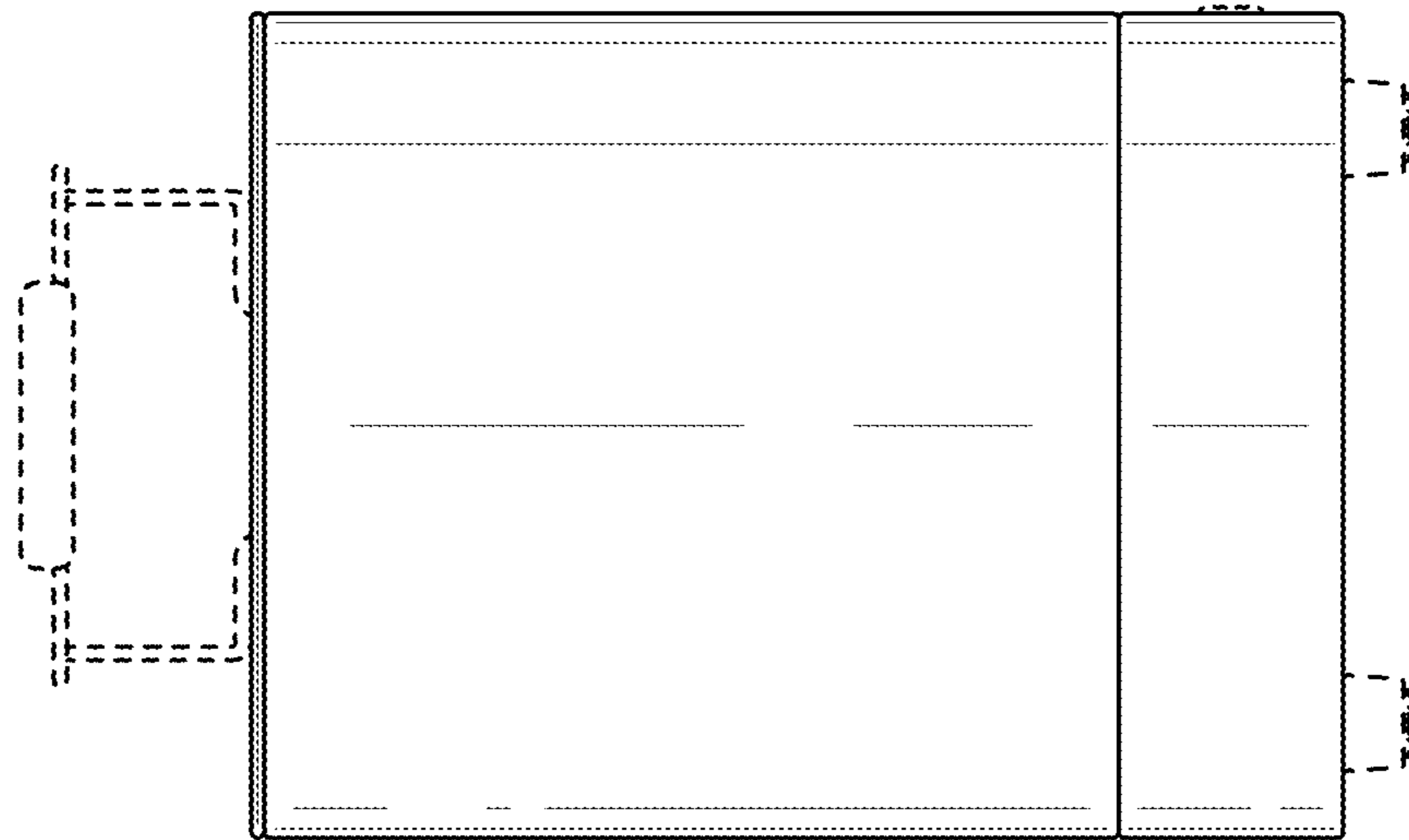


FIG. 5

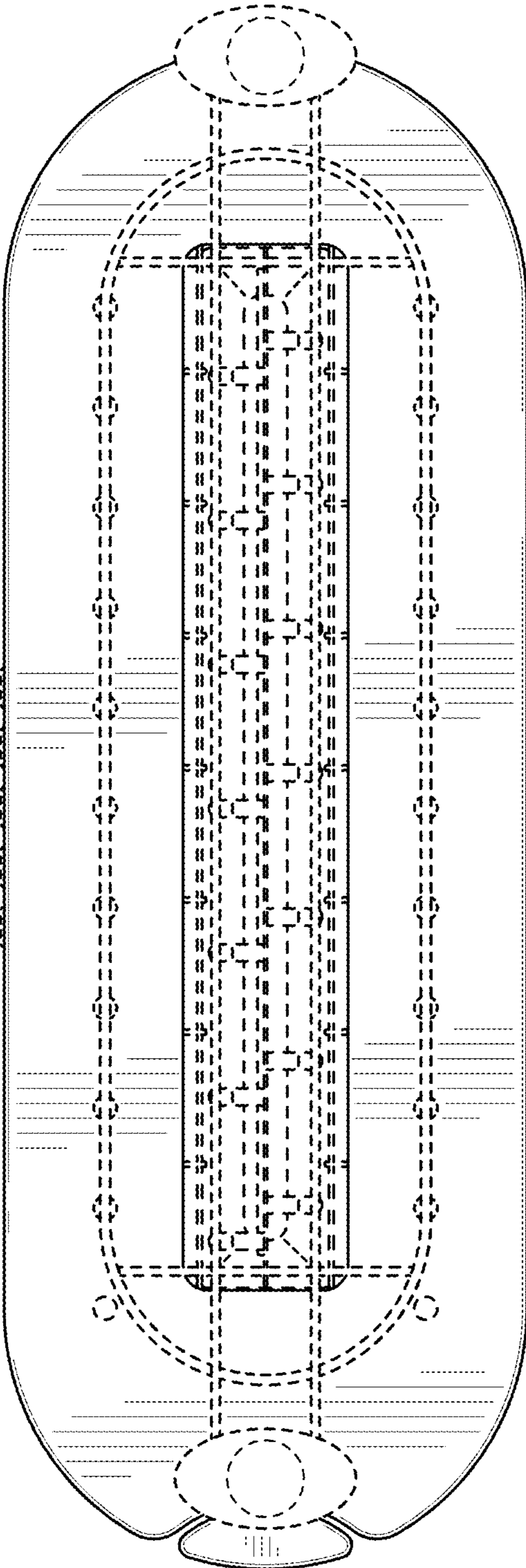


FIG. 6

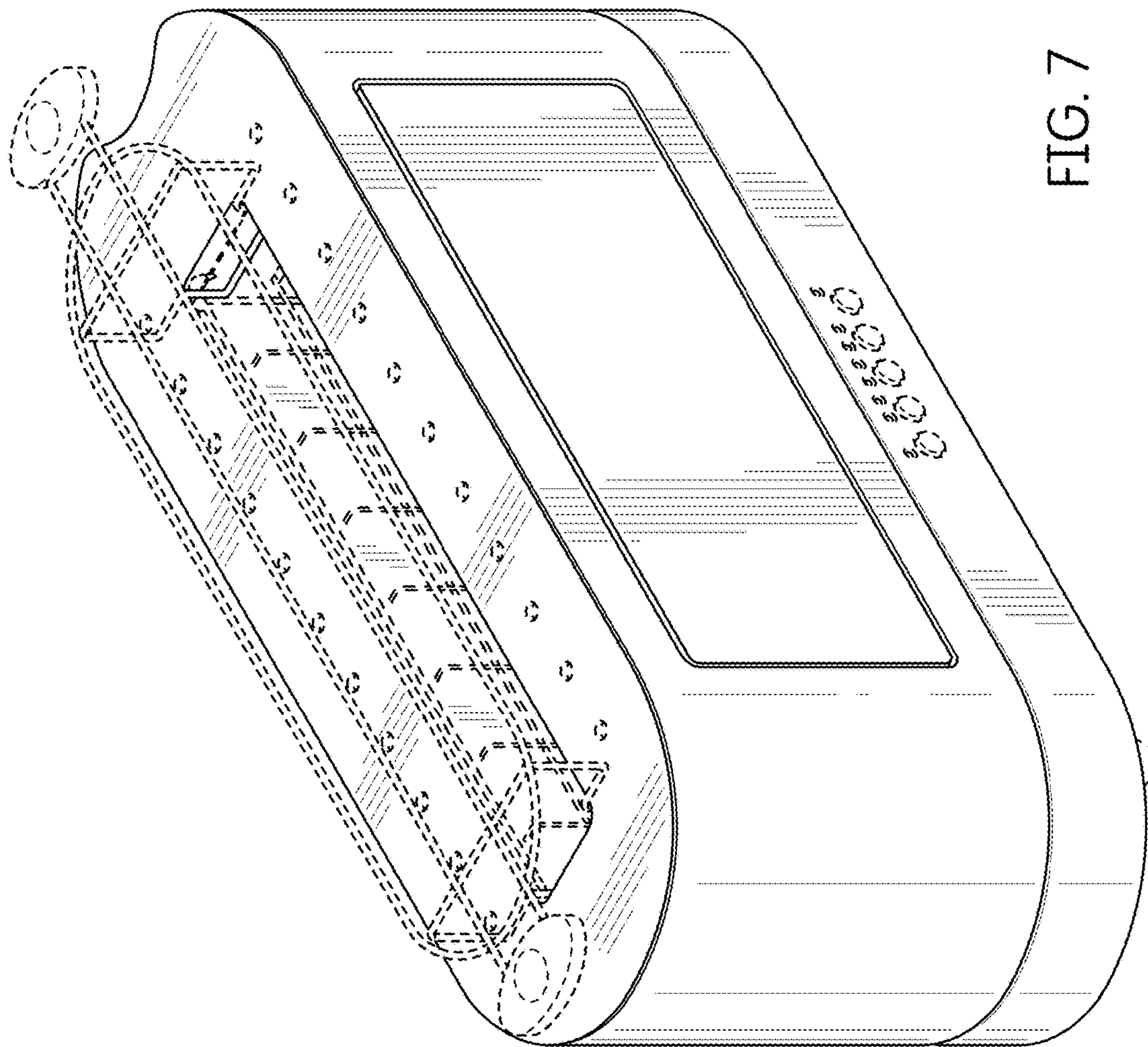


FIG. 7

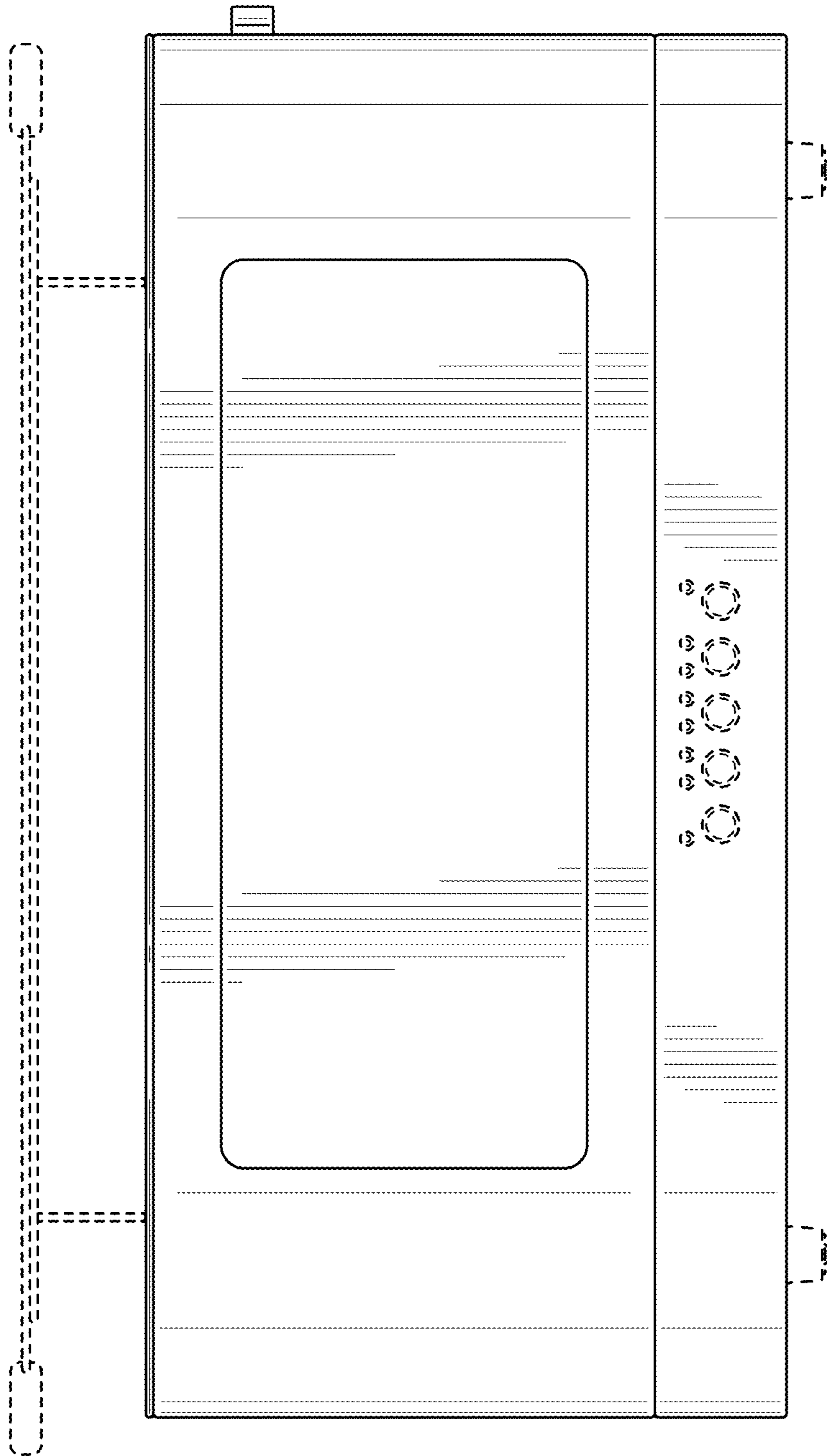


FIG. 8

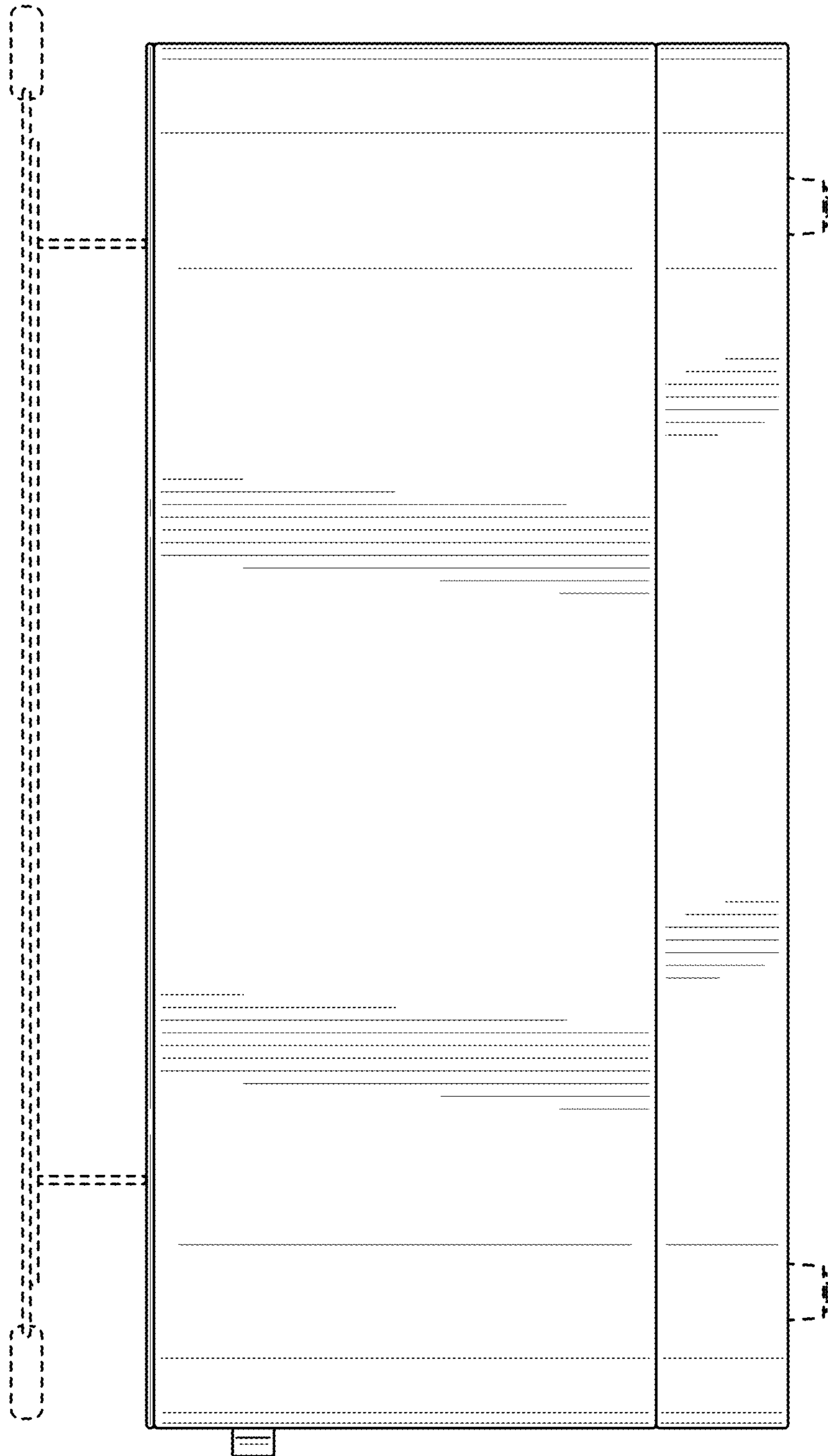


FIG. 9

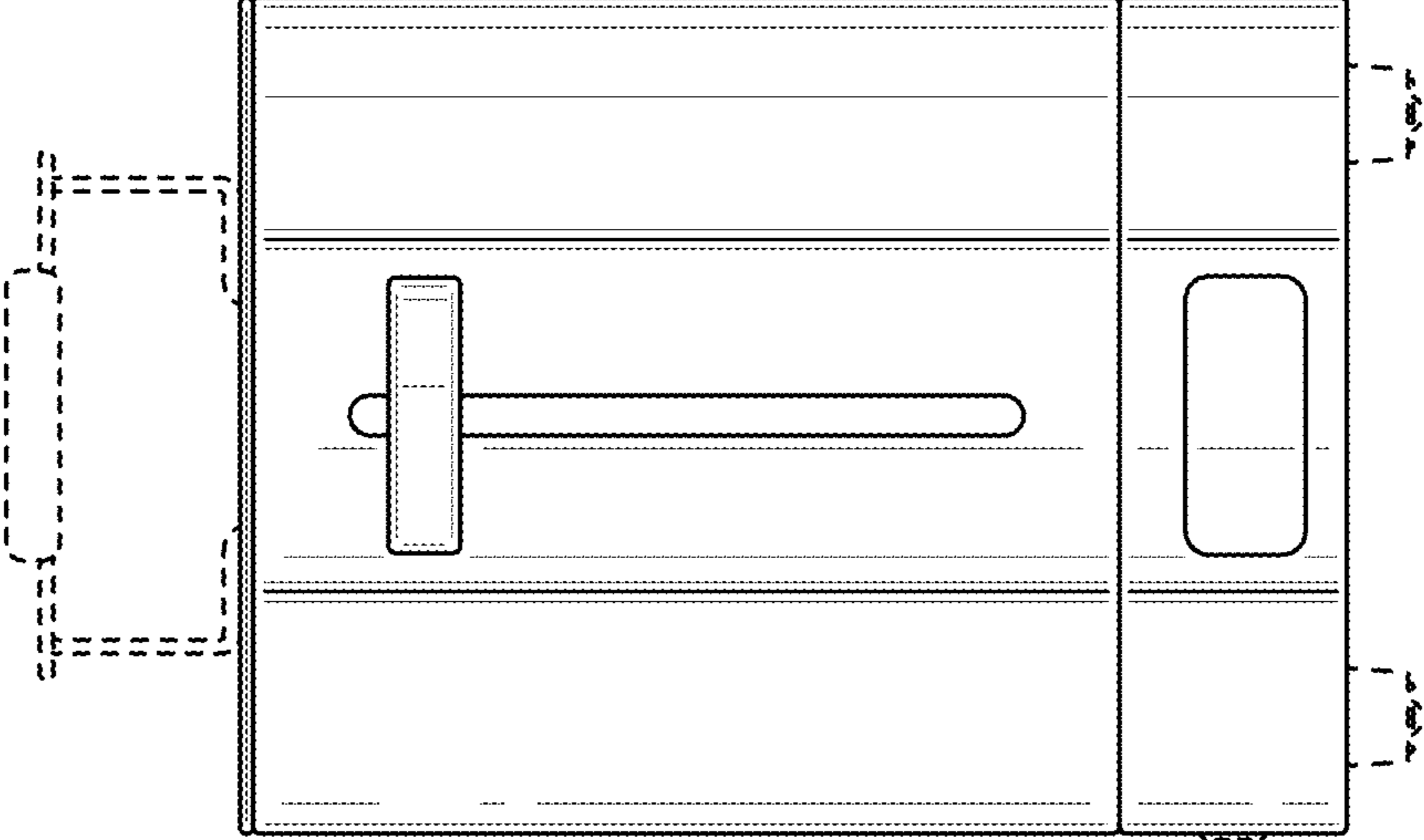


FIG. 10

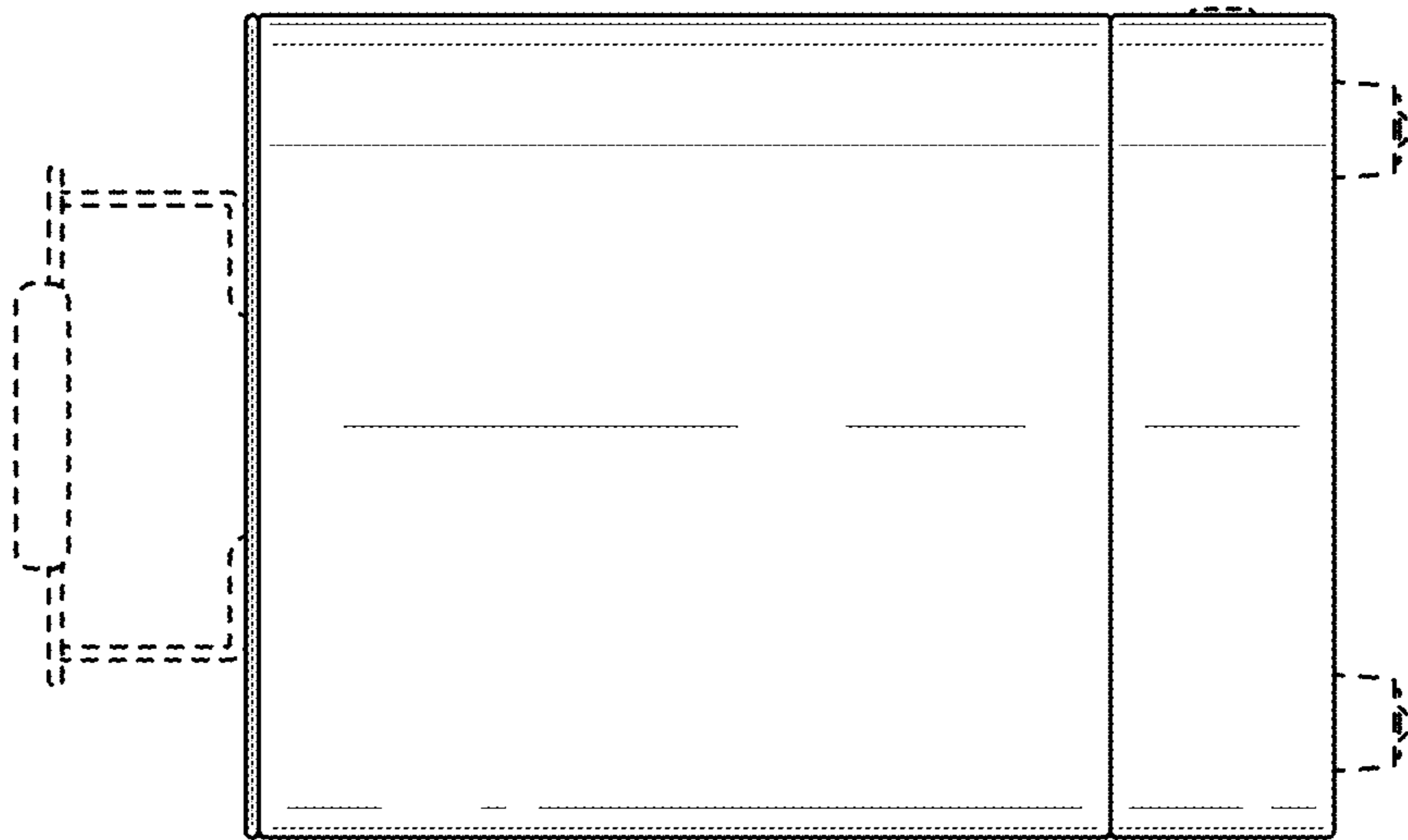


FIG. 11

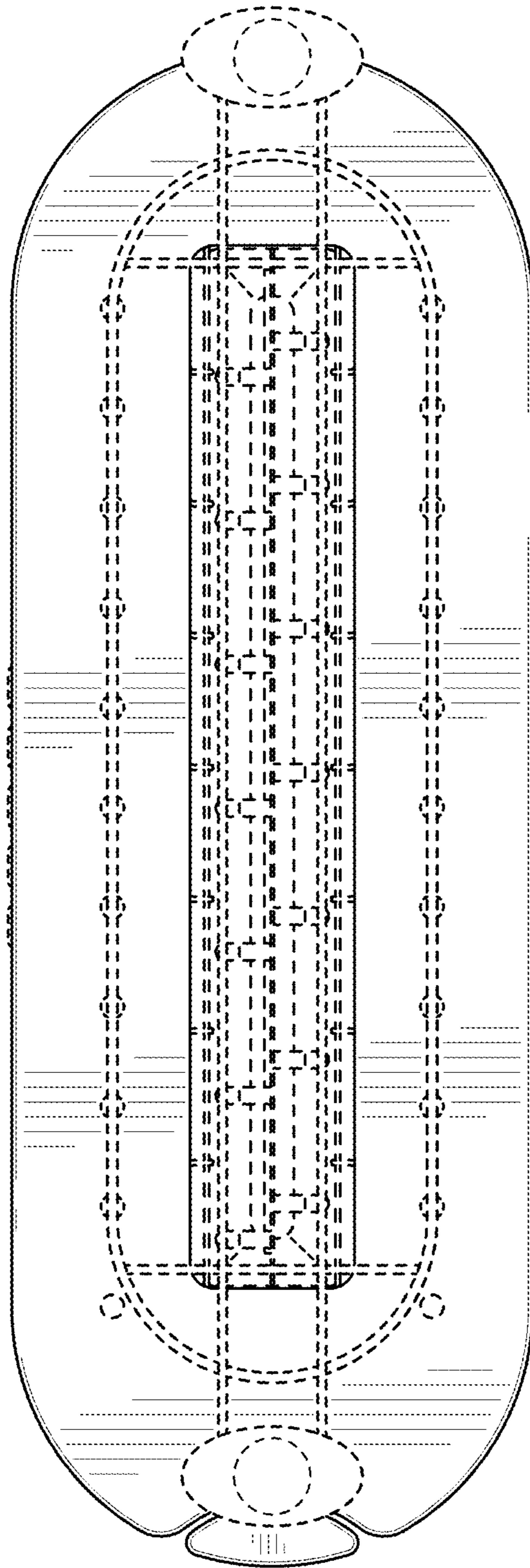


FIG. 12