



US00D811151S

(12) **United States Design Patent**  
**Issler et al.**

(10) **Patent No.:** **US D811,151 S**  
(45) **Date of Patent:** **\*\* Feb. 27, 2018**

- (54) **POPCORN POPPER**
- (71) Applicant: **Greenfield World Trade, Inc.**, Fort Lauderdale, FL (US)
- (72) Inventors: **Alyssa Issler**, Fort Lauderdale, FL (US); **Rong Liu**, Fort Lauderdale, FL (US)
- (73) Assignee: **GREENFIELD WORLD TRADE, INC.**, Fort Lauderdale, FL (US)
- (\*\*) Term: **15 Years**
- (21) Appl. No.: **29/597,654**
- (22) Filed: **Mar. 17, 2017**
- (51) **LOC (11) Cl.** ..... **31-00**
- (52) **U.S. Cl.**  
USPC ..... **D7/325**
- (58) **Field of Classification Search**  
USPC ..... D7/323, 325, 337, 339, 346-347, 350.1, D7/350.4, 354, 362, 381, 384, 386, 391, D7/602, 629; D8/34  
CPC . A23G 3/26; A23L 1/01; A23L 1/0128; A23L 1/10; A23L 1/18; A23L 1/1802; A23L 1/1812; A23L 1/1815; A23L 1/1817; A23L 1/217; A23P 1/14; A23P 1/142; A23P 1/144; A23P 1/146; A23P 1/148; A47J 19/027; A47J 27/004; A47J 36/027; A47J 36/06; A47J 43/046; A47J 43/255; B65D 81/34; B65D 81/3407; B65D 81/3446; B65D 81/3453  
See application file for complete search history.

4,095,751 A *	6/1978	Artin .....	A47J 43/046 222/410
4,386,740 A *	6/1983	Van Deursen .....	A47J 43/255 241/285.2
4,390,133 A *	6/1983	Wanat .....	A47J 43/255 241/285.2
4,512,247 A *	4/1985	Friedman .....	A23G 3/26 118/19
D280,174 S	8/1985	Cesaroni	
D281,137 S	10/1985	Cesaroni	
D298,204 S *	10/1988	Mikami .....	D7/378
D338,800 S	8/1993	Duquaine, Jr. et al.	
D361,918 S	9/1995	Cesaroni et al.	
D407,264 S *	3/1999	Sundquist .....	D7/384
D407,265 S *	3/1999	Sundquist .....	D7/381
D553,427 S *	10/2007	Ball .....	D7/384
D615,797 S	5/2010	Berge et al.	
D677,975 S *	3/2013	Jin .....	D7/372
D689,734 S *	9/2013	Bock .....	D7/376

(Continued)

Primary Examiner — Ricky Pham

(74) Attorney, Agent, or Firm — Michael E. Dockins;  
Shumaker, Loop & Kendrick, LLP

(57) **CLAIM**

The ornamental design for a popcorn popper, as shown and described.

**DESCRIPTION**

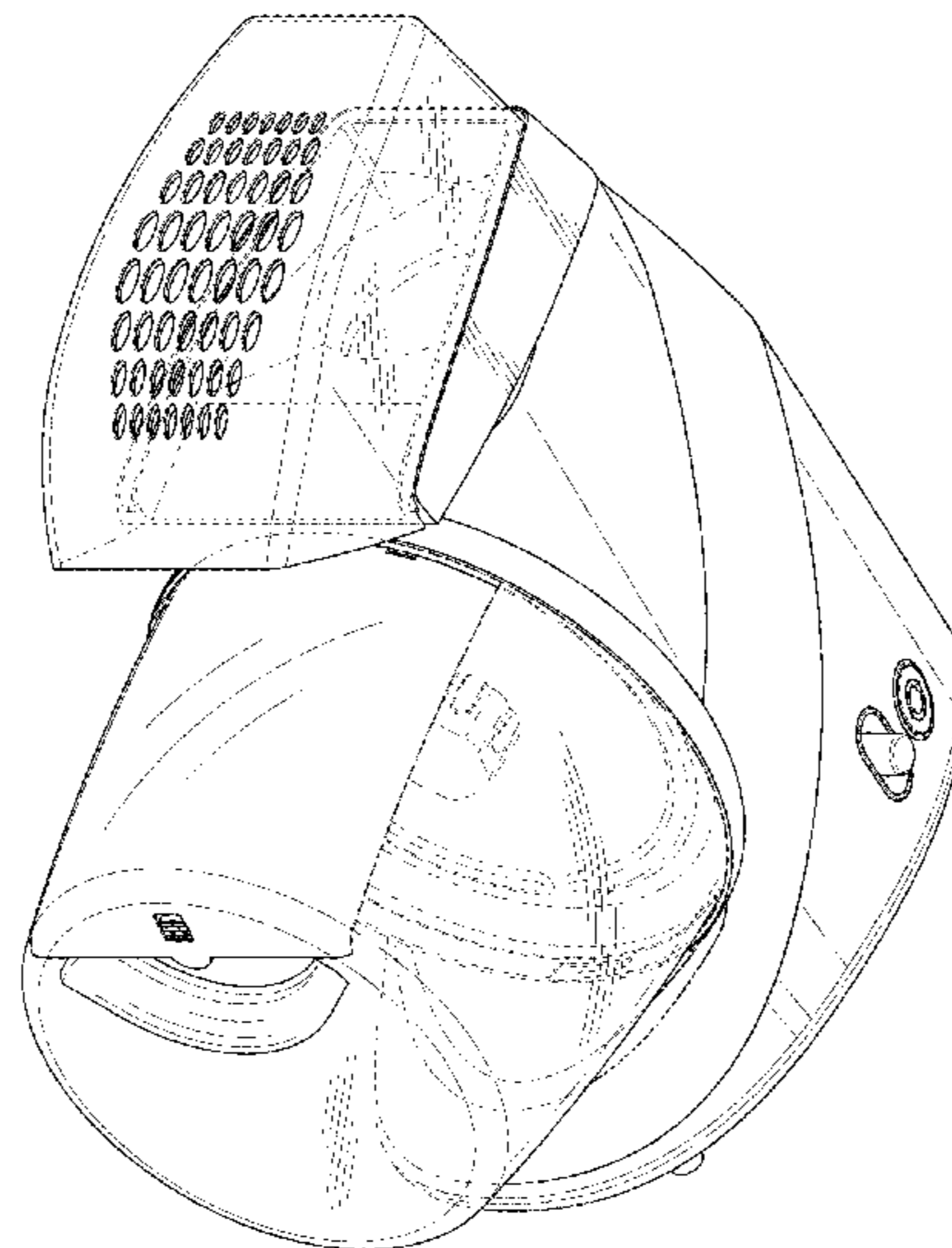
FIG. 1 is a perspective view of a popcorn popper;  
 FIG. 2 is a front elevational view thereof;  
 FIG. 3 is a rear elevational view thereof;  
 FIG. 4 is a top plan view thereof;  
 FIG. 5 is a bottom plan view thereof;  
 FIG. 6 is a right-side elevational view thereof; and,  
 FIG. 7 is a left-side elevational view thereof.  
 The ornamental design which is claimed is shown in solid lines in the drawings. Features shown in broken lines are presented for illustrative purposes and form no part of the claimed design.

**1 Claim, 4 Drawing Sheets**

(56) **References Cited**

U.S. PATENT DOCUMENTS

3,032,087 A *	5/1962	Rodwick .....	A47J 43/255 241/245
D236,425 S *	8/1975	McCue .....	D7/383



(56)

**References Cited**

U.S. PATENT DOCUMENTS

2007/0107609 A1\* 5/2007 Barker ..... A47J 19/027  
99/509

\* cited by examiner

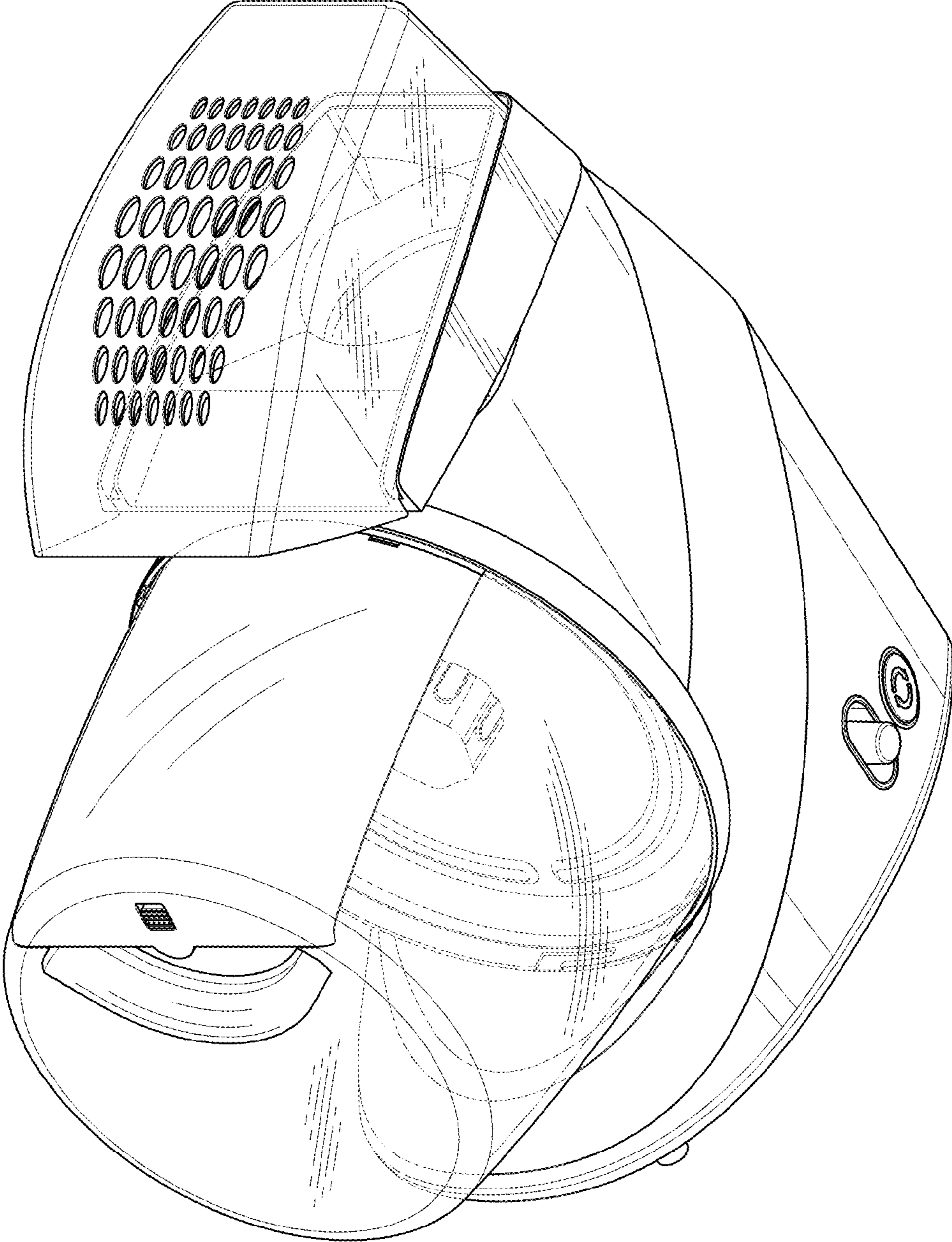


FIG. 1

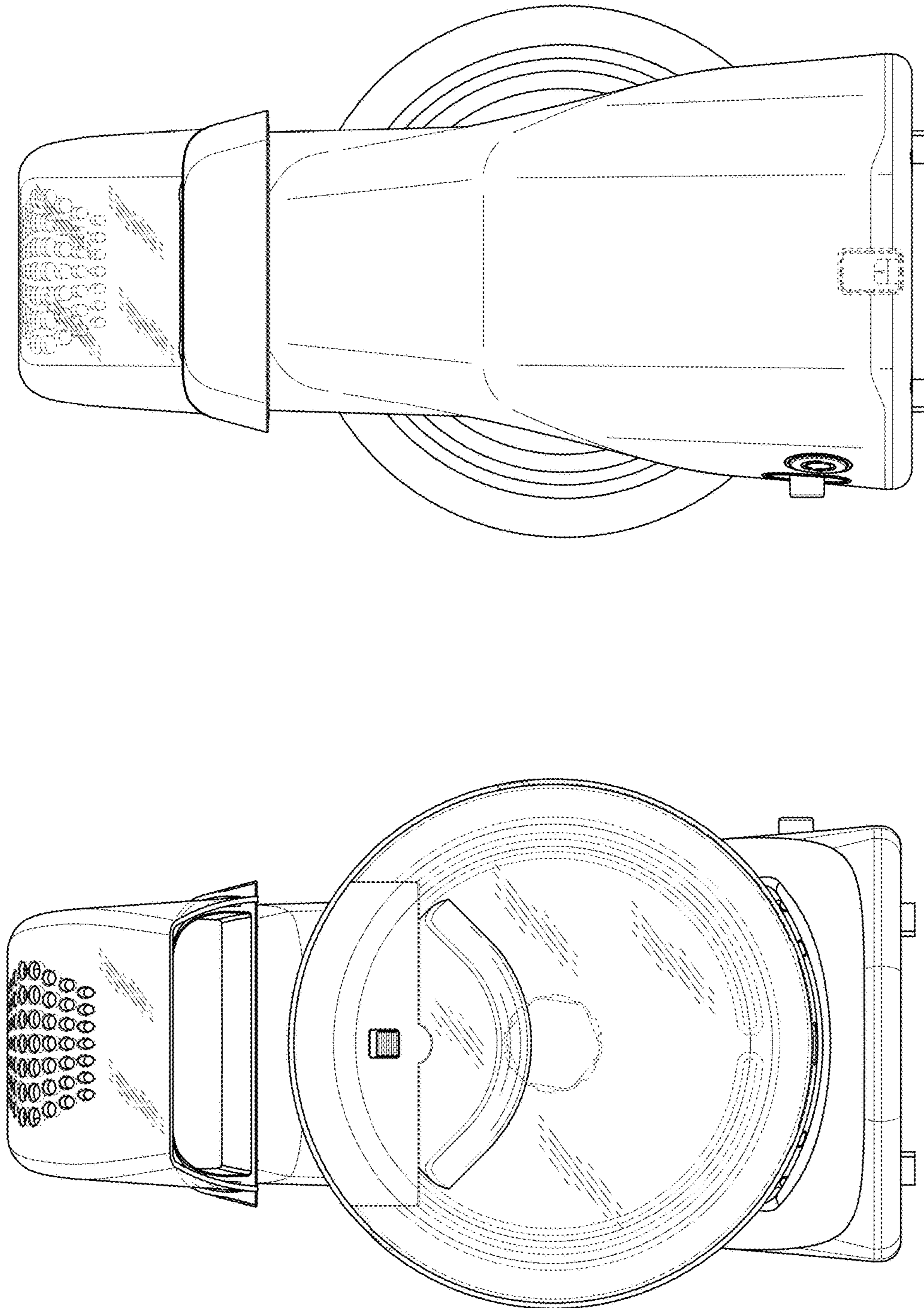


FIG. 3

FIG. 2

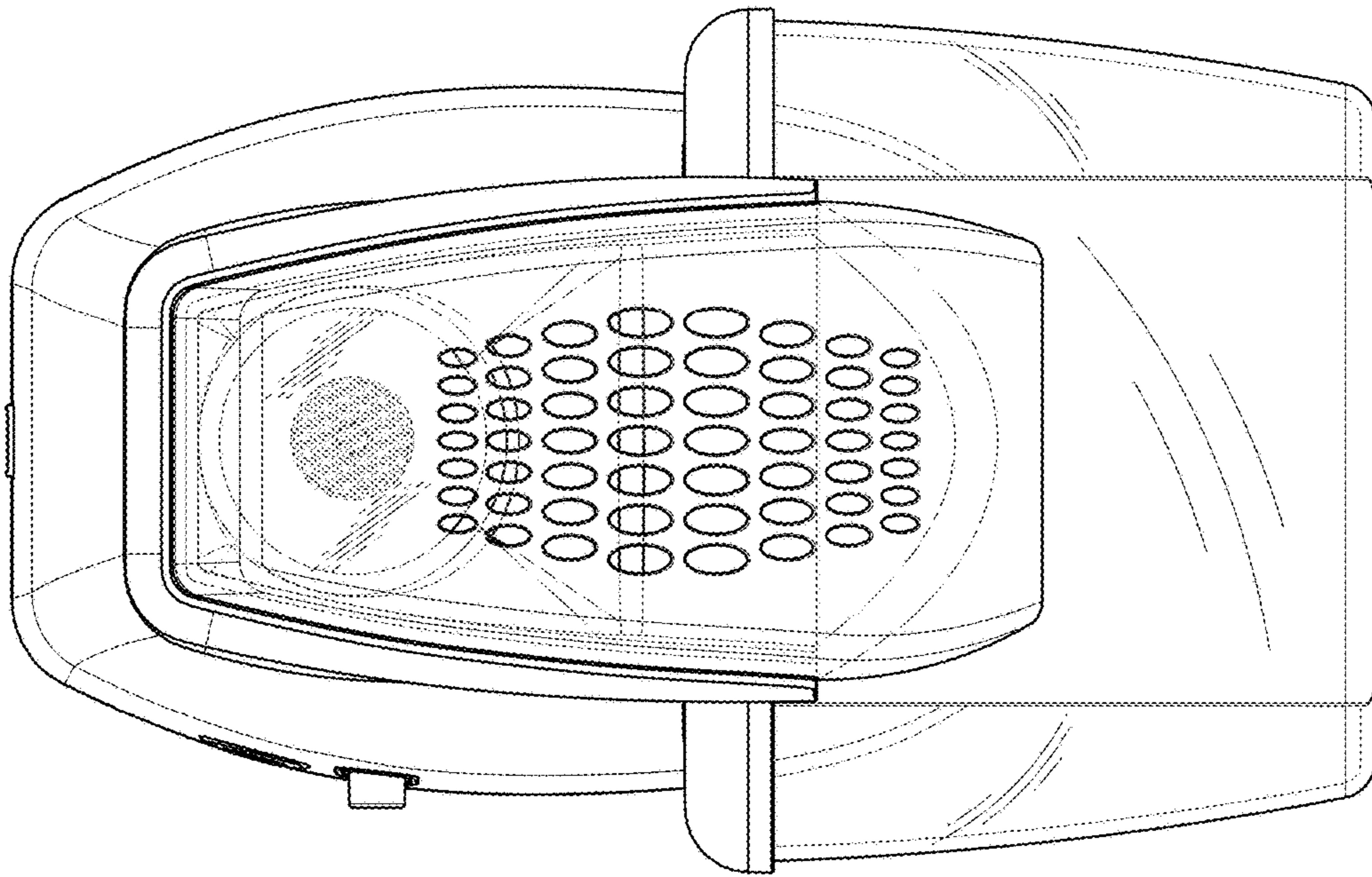


FIG. 4

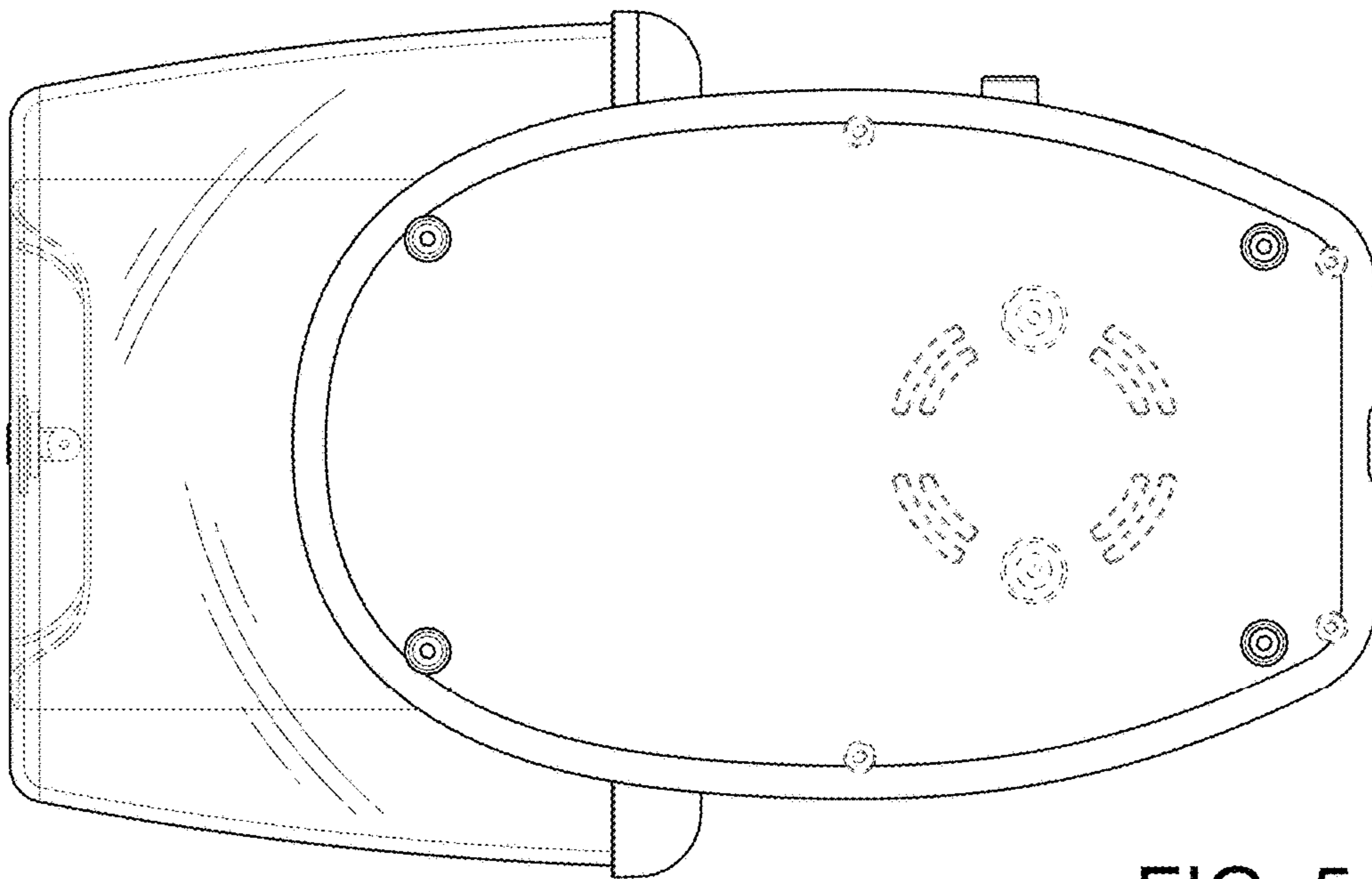


FIG. 5

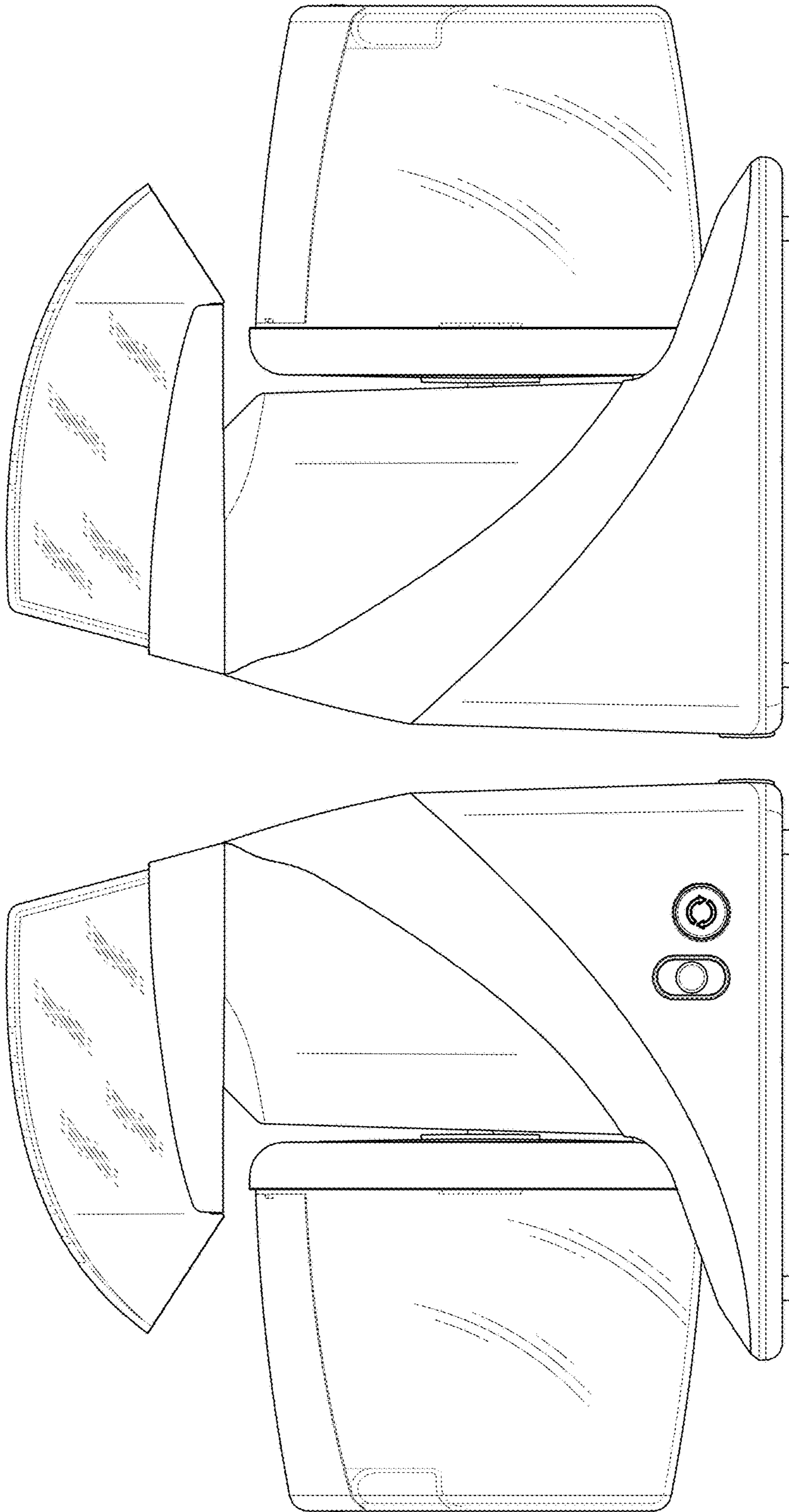


FIG. 7

FIG. 6