



US00D811149S

(12) **United States Design Patent**
Barquin et al.

(10) **Patent No.:** **US D811,149 S**
(45) **Date of Patent:** **** Feb. 27, 2018**

(54) **KETTLE**

D714,581 S * 10/2014 Shao D7/312
D747,130 S * 1/2016 Kunz D7/317
D777,500 S * 1/2017 Lee D7/317

(71) Applicant: **Spectrum Brands, Inc.**, Middleton, WI (US)

(72) Inventors: **Francisco Javier Barquin**, Madison, WI (US); **Luke Charles Bradshaw**, Kalmar (SE)

(73) Assignee: **Spectrum Brands, Inc.**, Middleton, WI (US)

(**) Term: **15 Years**

(21) Appl. No.: **29/597,421**

(22) Filed: **Mar. 16, 2017**

(51) **LOC (11) Cl.** **07-01**

(52) **U.S. Cl.**
USPC **D7/318**

(58) **Field of Classification Search**
USPC D7/316-321, 378, 384, 598, 600, 619.1, D7/622; D9/544, 545, 548, 549
CPC A47J 31/00; A47G 19/22
See application file for complete search history.

(56) **References Cited**

U.S. PATENT DOCUMENTS

D554,425 S * 11/2007 Schwamkrug D7/317
8,405,004 B2 * 3/2013 Li H05L 31/0269
219/441

OTHER PUBLICATIONS

Kettle [Farberware 1.7L Kettle] posted at Amazon.com, review on Jan. 13, 2017,[online], [site visited Oct. 17, 2017]. Available from Internet, <URL: https://www.amazon.com/Farberware-Kettle-Glass-Indicator-Product/product-reviews/B01LZG3HM7/ref=cm_cr_dp_d_show_all_btm?ie=UTF8&reviewerType=all_reviews> (Year: 2017).*

* cited by examiner

Primary Examiner — Daniel D Bui
Assistant Examiner — Andrew Kerr

(74) *Attorney, Agent, or Firm* — Banner & Witcoff, Ltd.

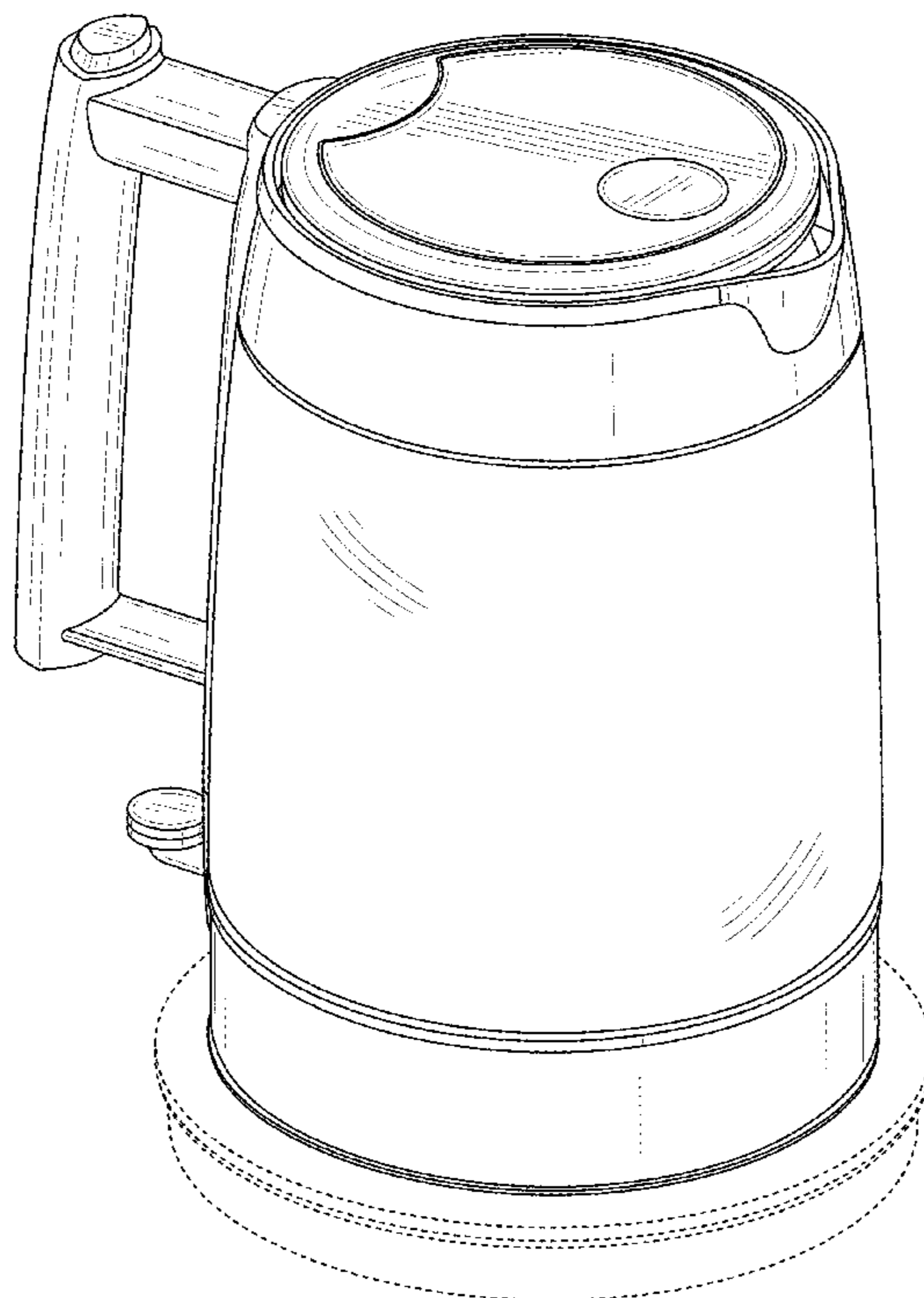
(57) **CLAIM**

The ornamental design for a kettle, as shown and described.

DESCRIPTION

FIG. 1 is a front perspective view of a kettle showing our new design;
FIG. 2 is a left side view thereof;
FIG. 3 is a right side view thereof;
FIG. 4 is a front view thereof;
FIG. 5 is a rear view thereof;
FIG. 6 is a top view thereof; and,
FIG. 7 is a bottom view thereof.
The broken line showing of various elements of the kettle represents unclaimed subject matter and forms no part of the claimed design.

1 Claim, 7 Drawing Sheets



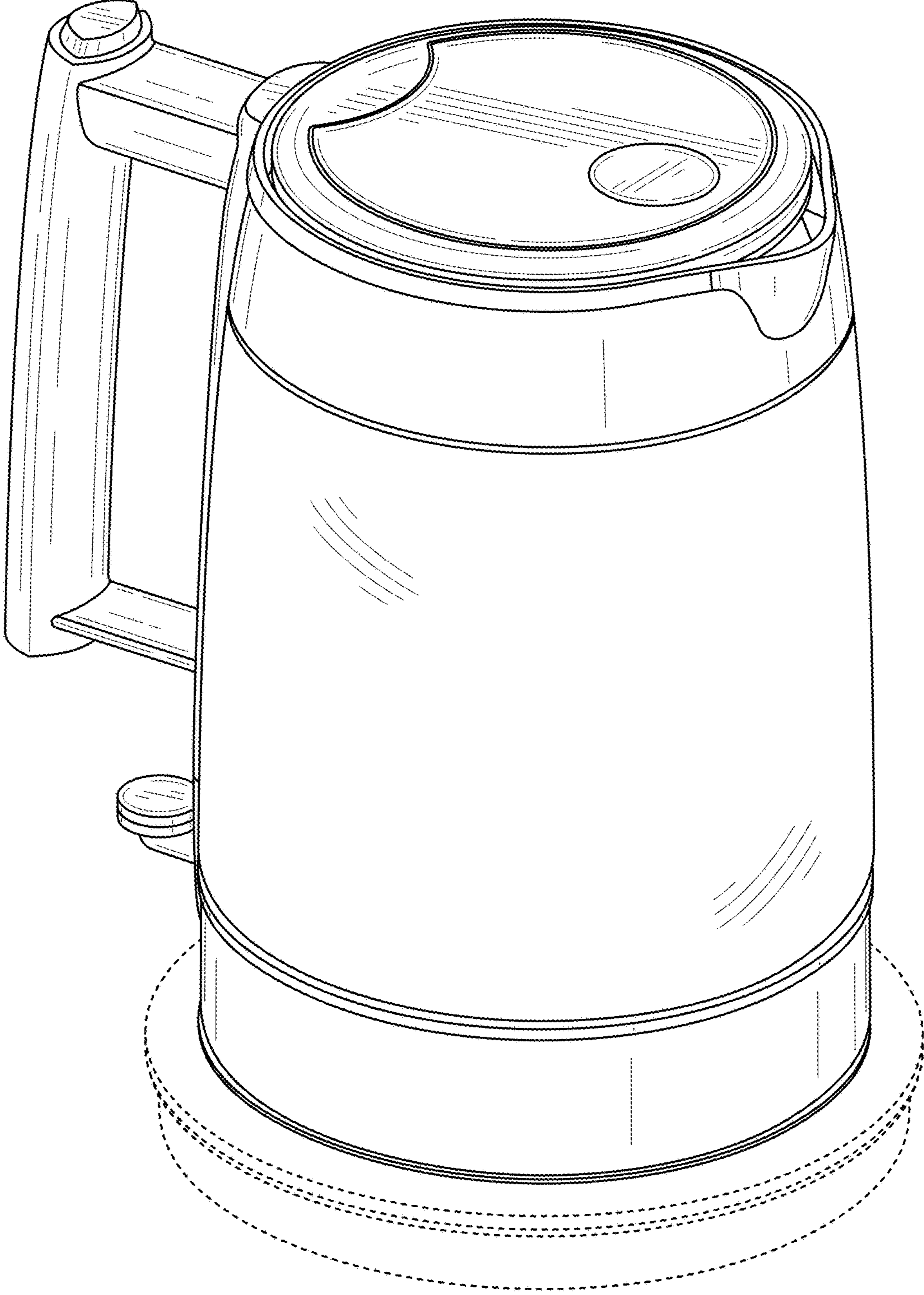


FIG. 1

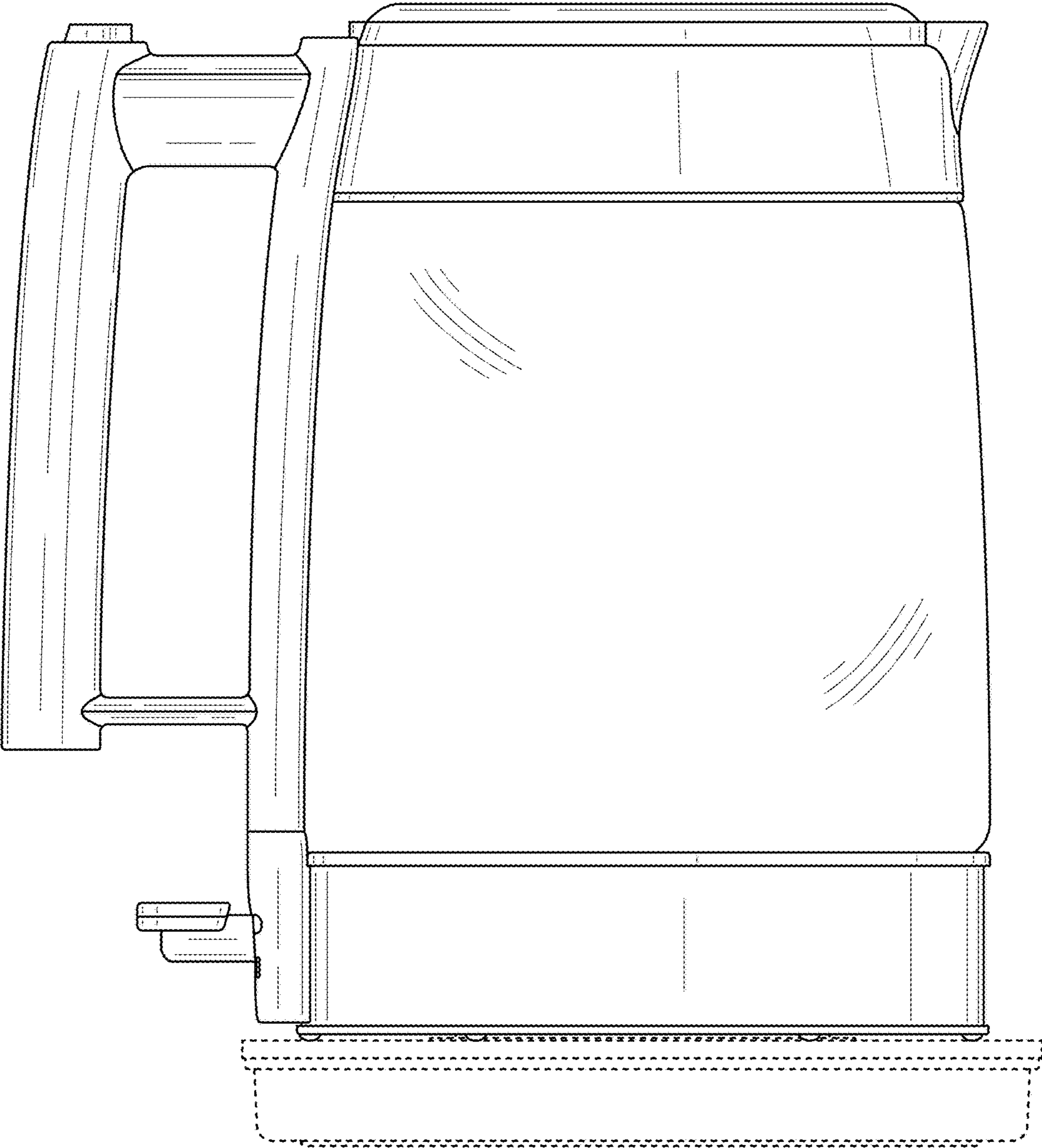


FIG. 2

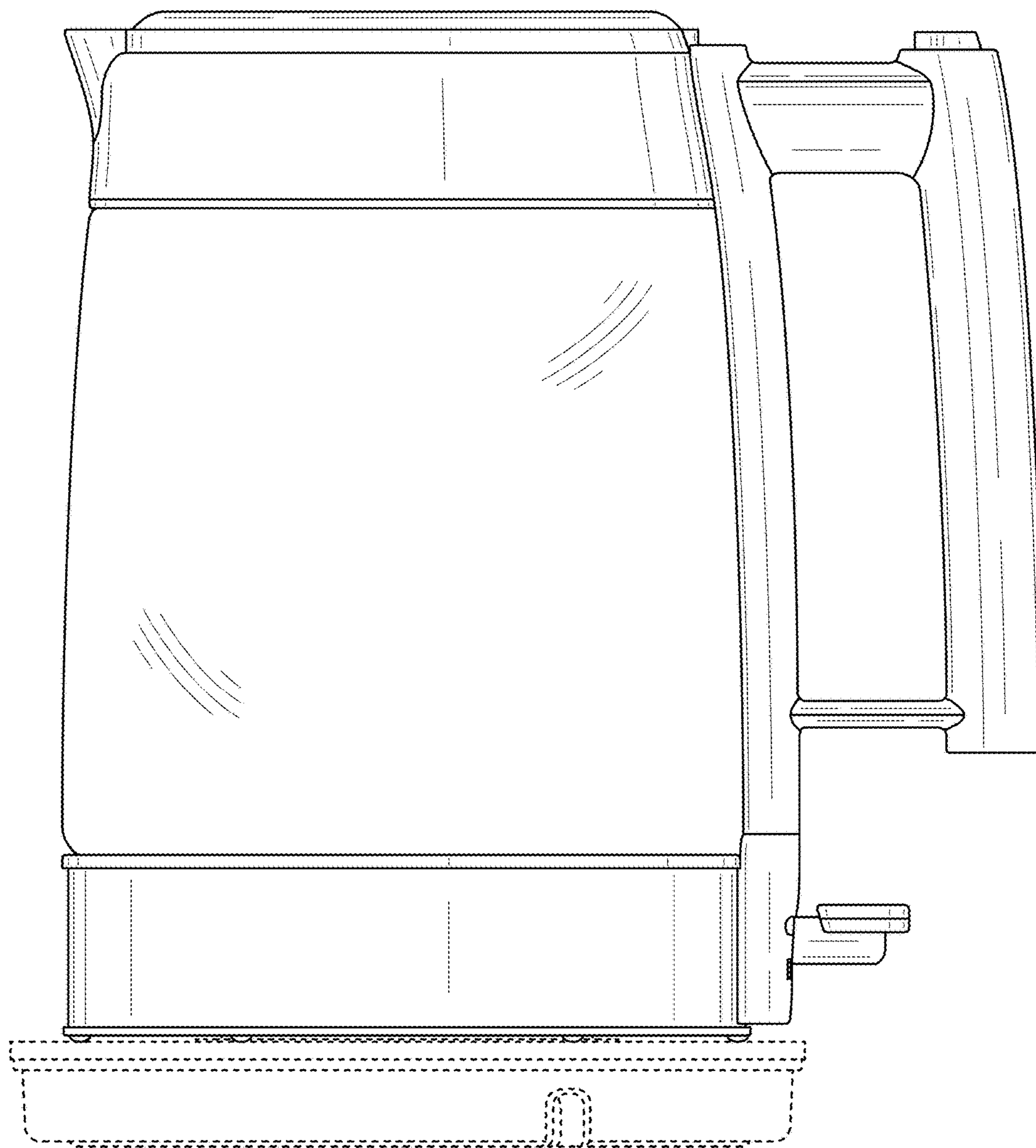


FIG. 3

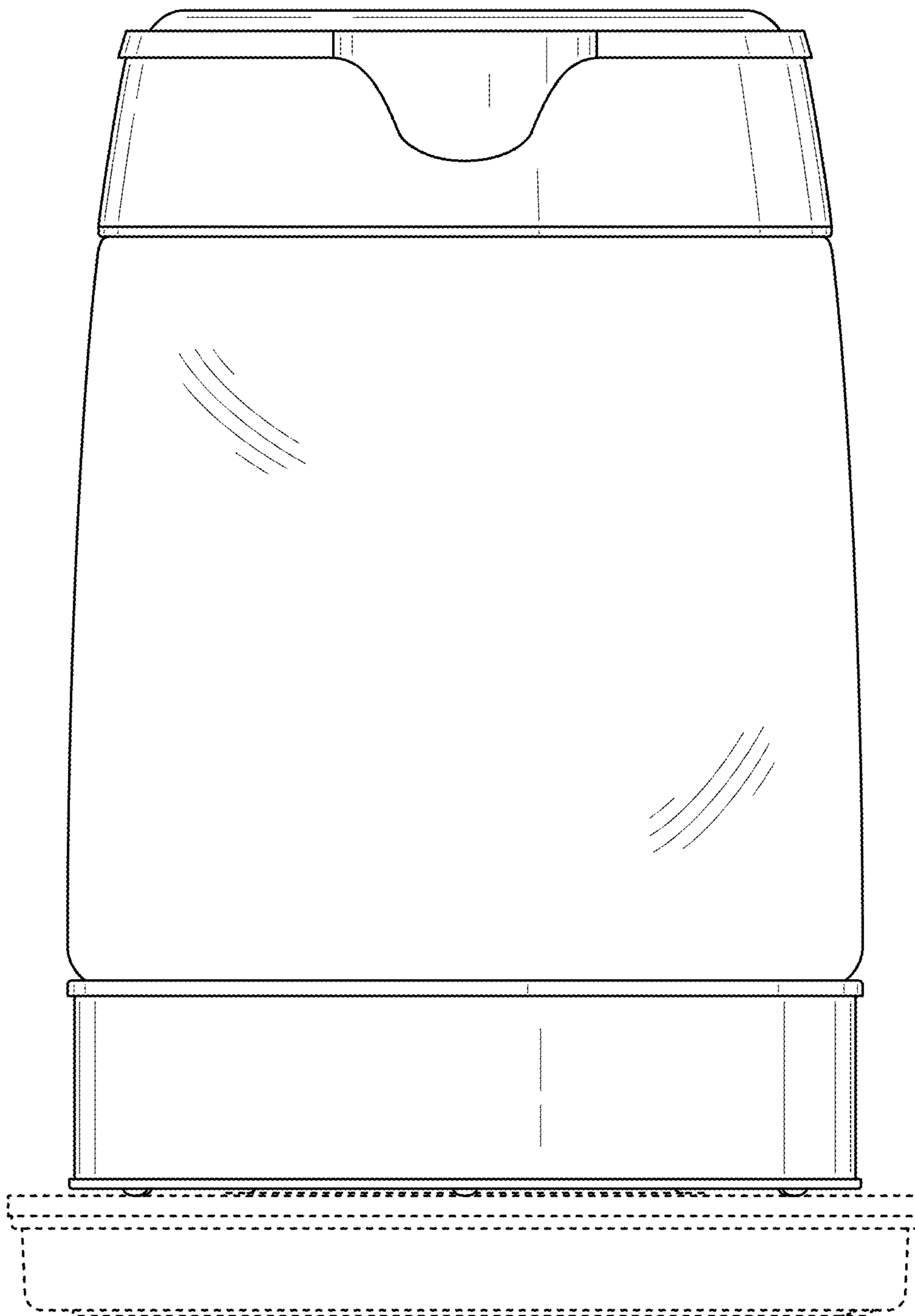


FIG. 4

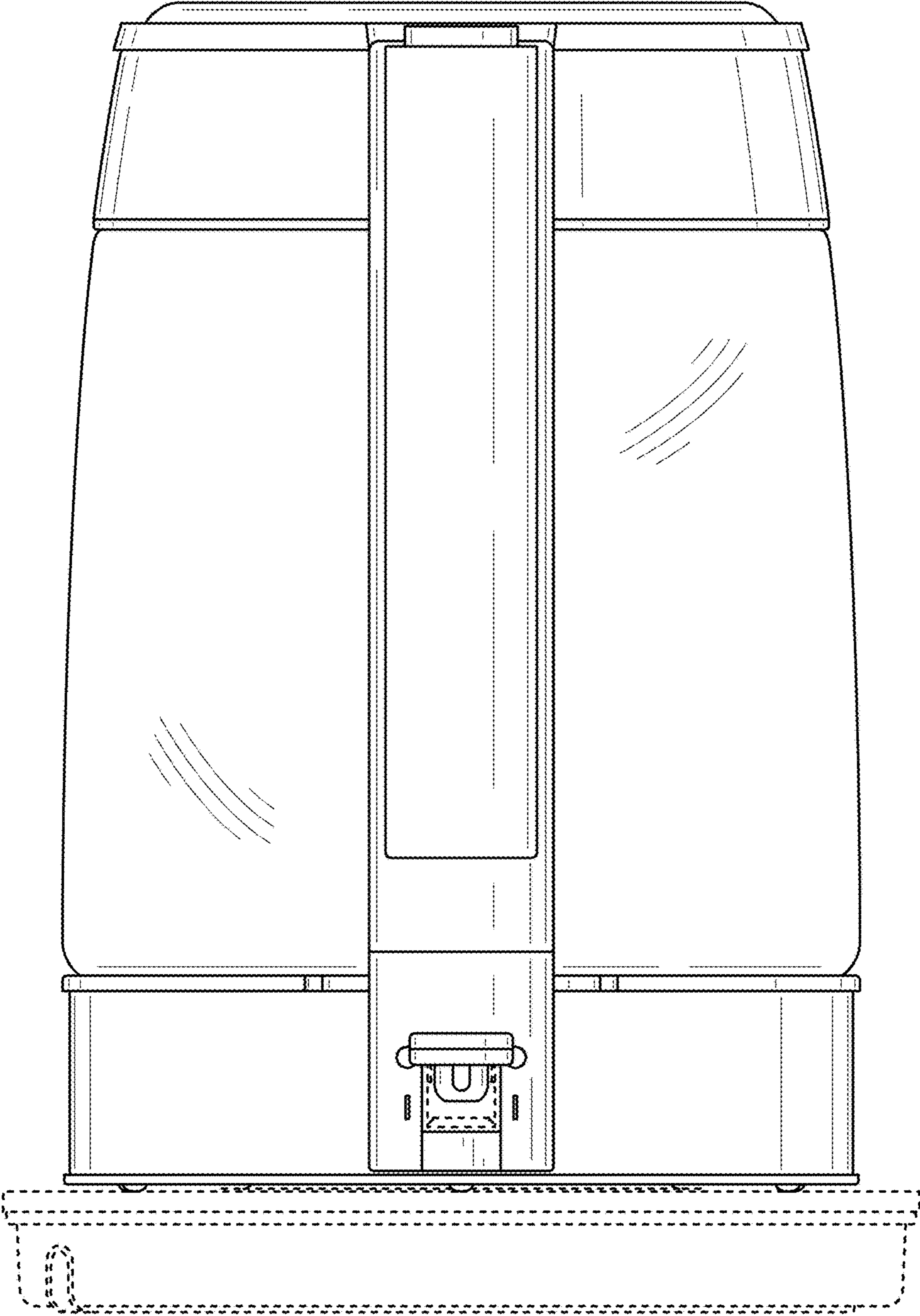


FIG. 5

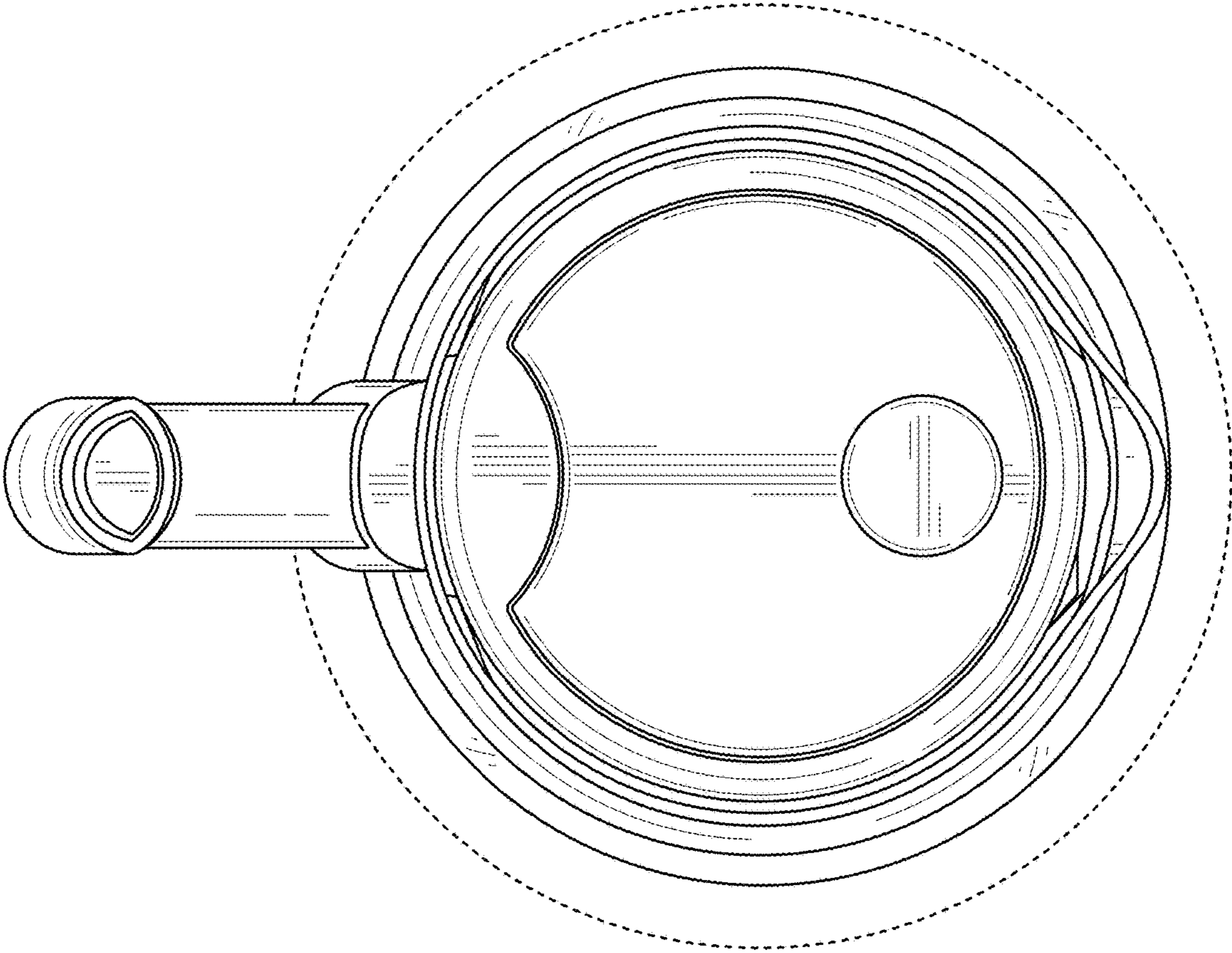


FIG. 6

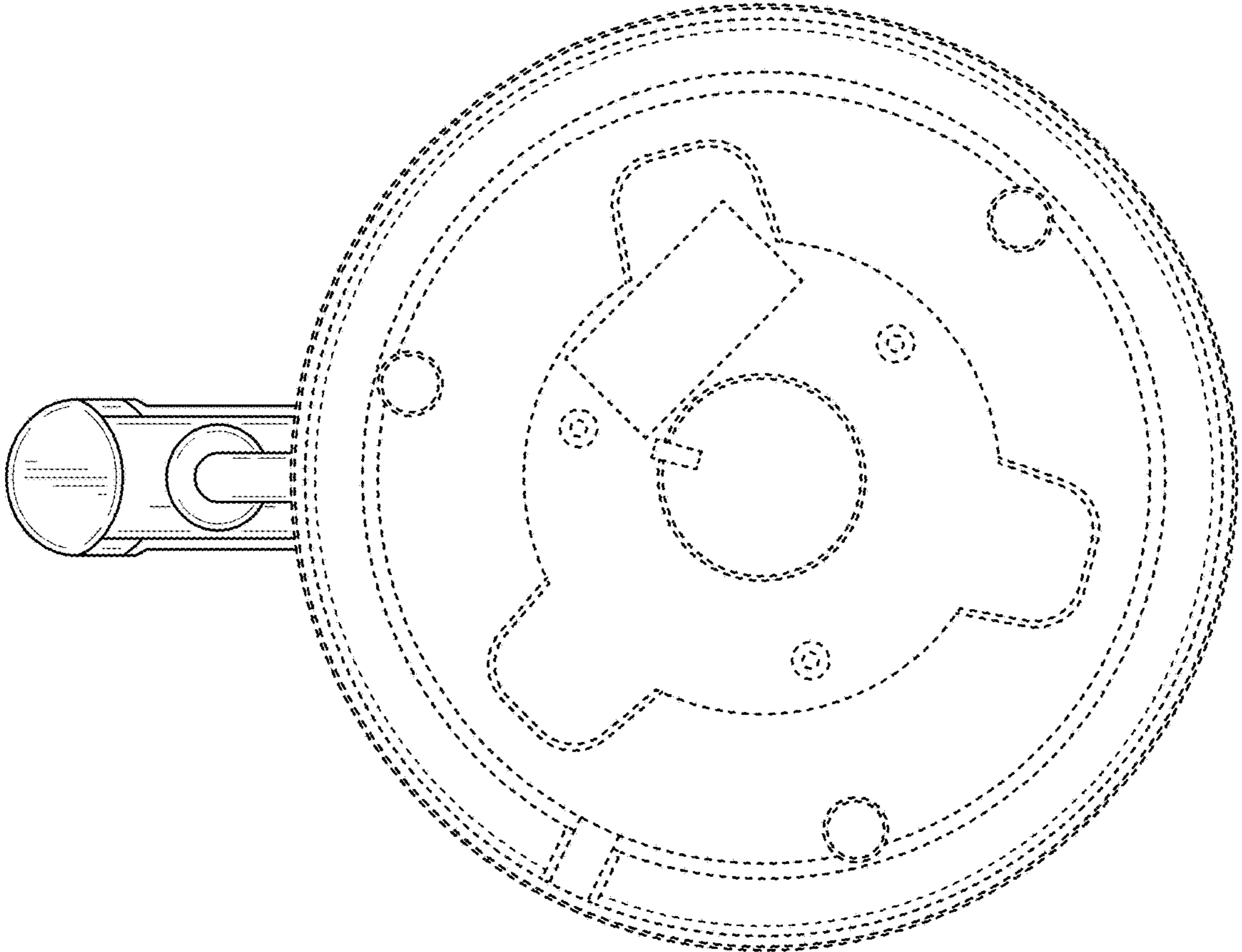


FIG. 7