



US00D811146S

(12) **United States Design Patent** (10) **Patent No.:** **US D811,146 S**  
**Adair et al.** (45) **Date of Patent:** **\*\* Feb. 27, 2018**

- (54) **SOFA**
- (71) Applicant: **Ashley Furniture Industries, Inc.**,  
Arcadia, WI (US)
- (72) Inventors: **Lisa Adair**, New Albany, MS (US);  
**Christie Lamb**, Saltillo, MS (US)
- (73) Assignee: **Ashley Furniture Industries, Inc.**,  
Arcadia, WI (US)
- (\*\*) Term: **15 Years**
- (21) Appl. No.: **29/538,178**
- (22) Filed: **Sep. 1, 2015**

D447,883 S *	9/2001	Meier	.....	D6/334
D459,605 S *	7/2002	Greene	.....	D6/381
D459,607 S *	7/2002	Gibson	.....	D6/381
D472,077 S *	3/2003	Meier	.....	D6/716
D483,196 S *	12/2003	Ricci	.....	D6/334
D484,338 S *	12/2003	Lenger	.....	D6/716
D489,917 S *	5/2004	Adair	.....	D6/381
D490,623 S *	6/2004	Smith	.....	D6/381
D497,502 S *	10/2004	Lenger	.....	D6/719.2
D498,096 S *	11/2004	Lenger	.....	D6/719.2
D499,572 S *	12/2004	Mohundro	.....	D6/381
D501,614 S *	2/2005	Smith	.....	D6/381
D502,020 S *	2/2005	Mohundro	.....	D6/381
D504,031 S *	4/2005	Ricci	.....	D6/334
D509,374 S *	9/2005	Adair	.....	D6/381
D528,321 S *	9/2006	Adair	.....	D6/381
D536,900 S *	2/2007	Adair	.....	D6/381
D564,775 S *	3/2008	Adair	.....	D6/381

(Continued)

**Related U.S. Application Data**

- (62) Division of application No. 29/470,297, filed on Oct. 18, 2013, now Pat. No. Des. 737,592.
- (51) **LOC (11) Cl.** ..... **06-01**
- (52) **U.S. Cl.**  
USPC ..... **D6/717**
- (58) **Field of Classification Search**  
USPC ..... D6/334-338, 349, 355, 361, 368-370,  
D6/376, 379-381, 716, 716.1, 716.2, 340,  
D6/354, 377, 709, 708.15, 717; 297/16.1,  
297/42, 94, 135, 175, 232, 233, 350, 351,  
297/445.1, 448.1, 448.2, 451.9; 5/12.1,  
5/12.2  
CPC .. A47C 1/02; A47C 1/024; A47C 7/18; A47C  
7/24; A47C 17/00; A47C 17/02; A47C  
17/175  
See application file for complete search history.

(56) **References Cited**

**U.S. PATENT DOCUMENTS**

D428,725 S *	8/2000	Lee	.....	D6/381
D444,310 S *	7/2001	Lee	.....	D6/381

*Primary Examiner* — Sandra Snapp

(74) *Attorney, Agent, or Firm* — McAndrews, Held & Malloy, Ltd.

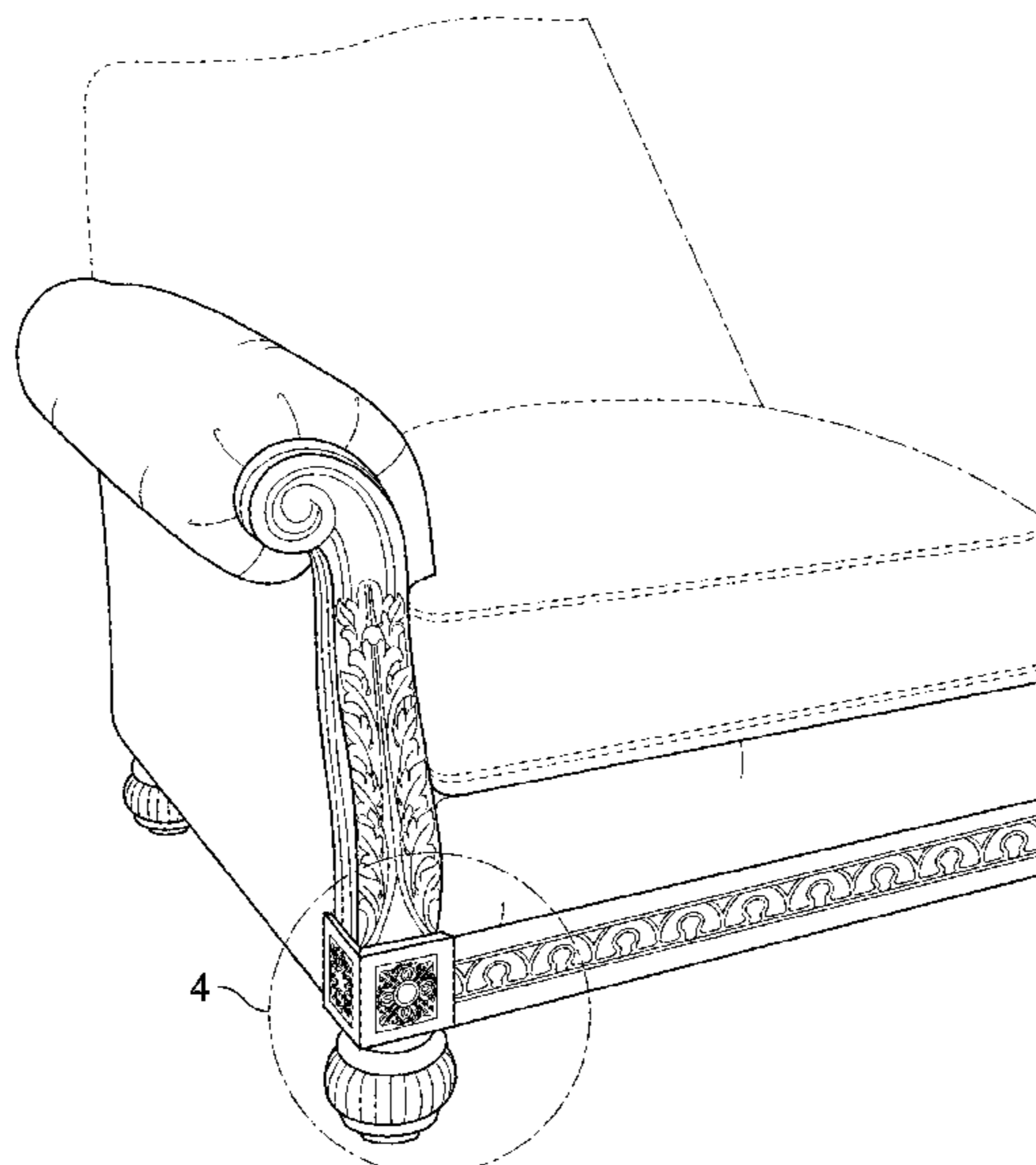
(57) **CLAIM**

The ornamental design for a sofa, as shown and described.

**DESCRIPTION**

FIG. 1 is a front perspective view of a sofa showing our new design;  
 FIG. 2 is a front elevation view thereof;  
 FIG. 3 is a left side elevation view thereof; and,  
 FIG. 4 is an enlarged front perspective view of a portion of FIG. 1.  
 Views of the sofa not shown in the figures form no part of the claimed design.  
 The dashed broken lines depicting portions of the sofa represent boundaries of the claimed design and form no part thereof.  
 The dot-dash broken lines in the figures represent a boundary line that forms no part of the claimed design.

**1 Claim, 4 Drawing Sheets**



(56)

**References Cited**

U.S. PATENT DOCUMENTS

D564,776	S	*	3/2008	Adair	.....	D6/381
D565,860	S	*	4/2008	Lamb	.....	D6/381
D566,415	S	*	4/2008	Adair	.....	D6/381
D567,529	S	*	4/2008	Lamb	.....	D6/381
D567,532	S	*	4/2008	Lamb	.....	D6/381
D569,125	S	*	5/2008	Lamb	.....	D6/381
D587,479	S	*	3/2009	Thompson	.....	D6/381
D715,070	S	*	10/2014	Lim	.....	D6/381
D717,559	S	*	11/2014	Lim	.....	D6/381
D720,955	S	*	1/2015	Lim	.....	D6/719.2
D721,241	S	*	1/2015	Lim	.....	D6/381
D725,930	S	*	4/2015	Liu	.....	D6/381
D737,592	S	*	9/2015	Adair	.....	D6/381
D737,593	S	*	9/2015	Adair	.....	D6/381
D741,081	S	*	10/2015	Hughes	.....	D6/381

\* cited by examiner

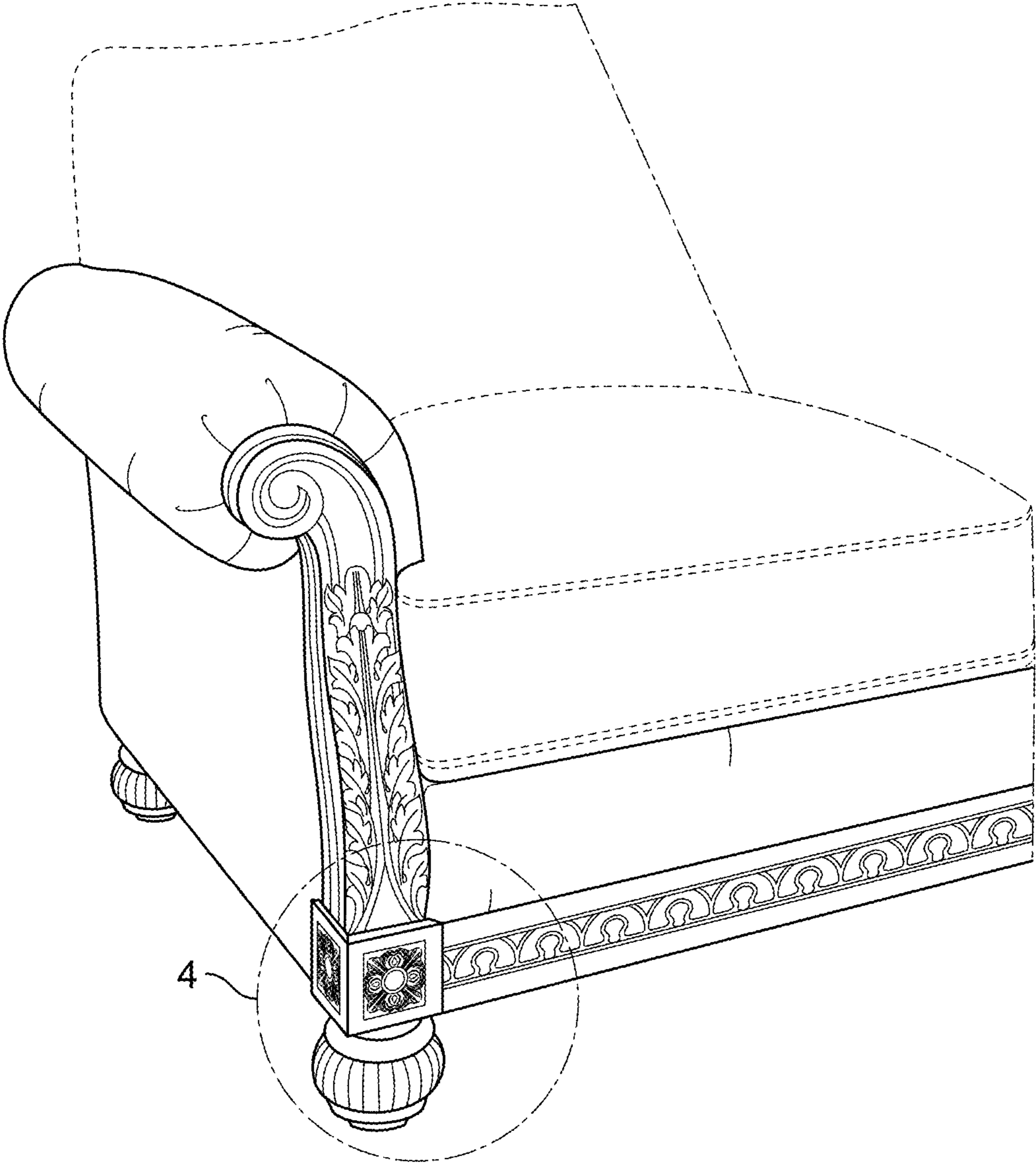


FIG. 1

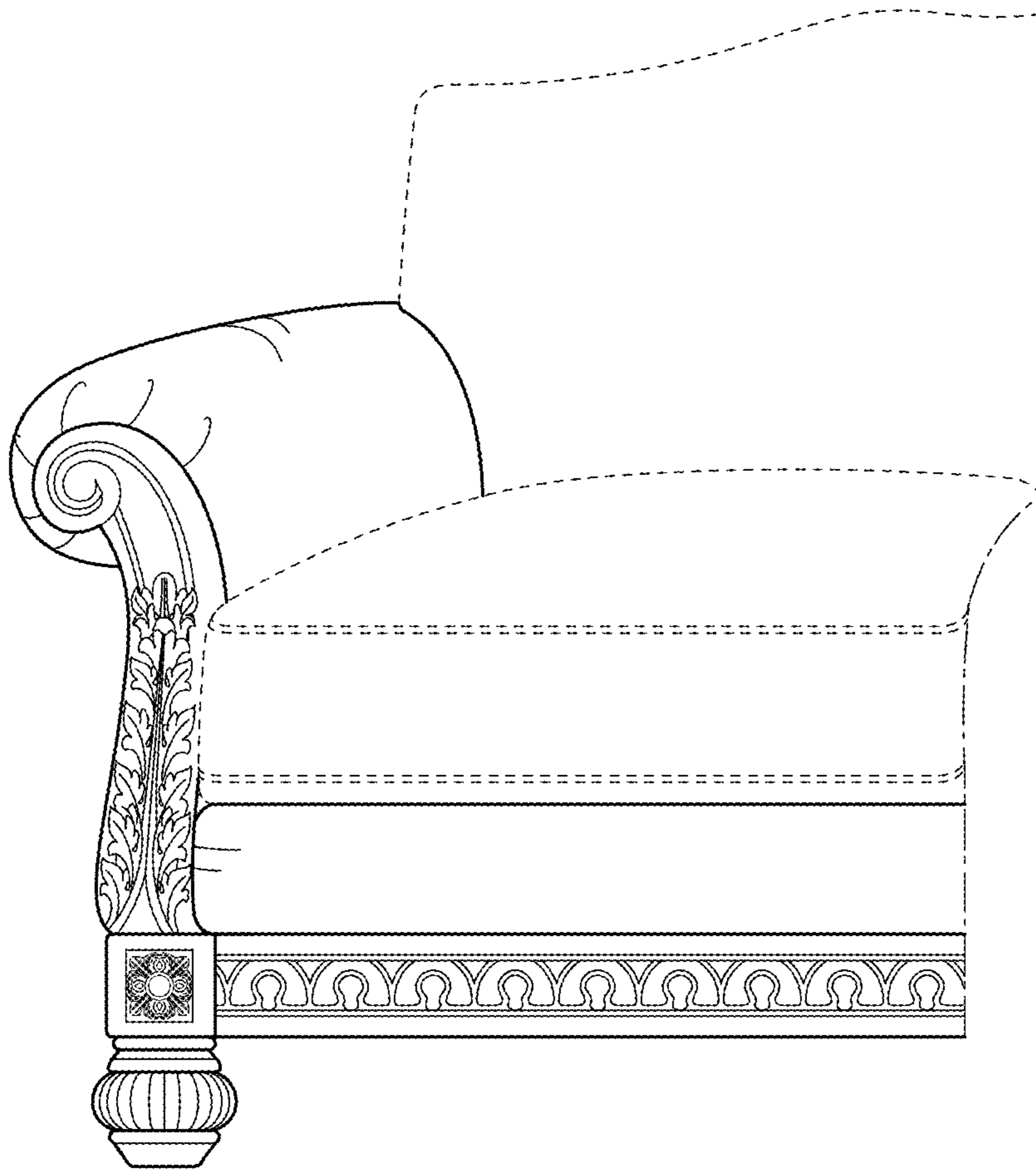


FIG. 2

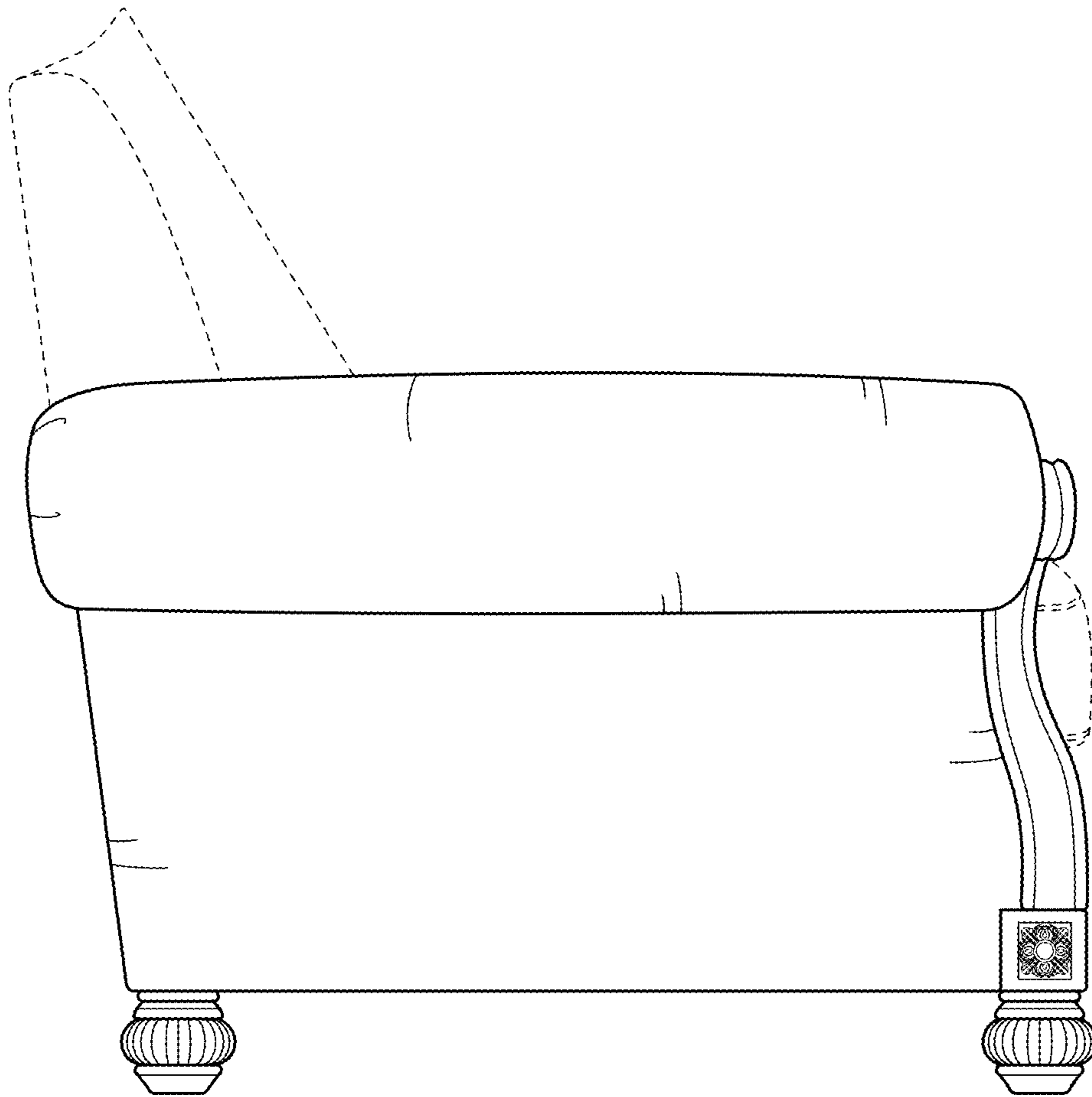


FIG. 3

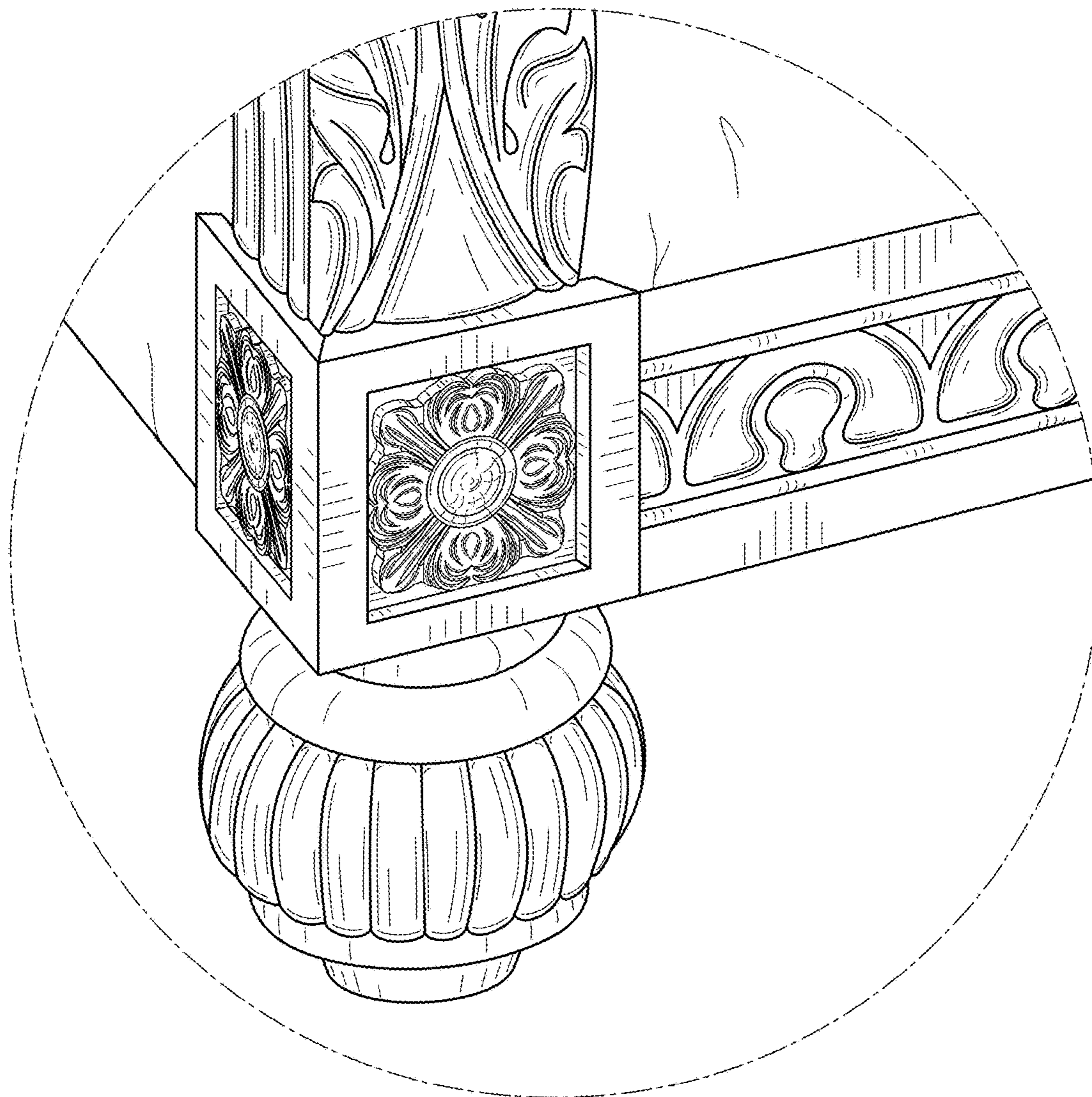


FIG. 4