

US00D811144S

(12) **United States Design Patent** (10) **Patent No.:** **US D811,144 S**  
**Li** (45) **Date of Patent:** **\*\* Feb. 27, 2018**

- (54) **SWIVEL CHAIR**
- (71) Applicant: **Homy Casa Limited**, Guangzhou, Guangdong (CN)
- (72) Inventor: **Yuehai Li**, Guangdong (CN)
- (73) Assignee: **Homy Casa Limited**, Guangzhou (CN)
- (\*\*) Term: **15 Years**
- (21) Appl. No.: **29/592,014**
- (22) Filed: **Jan. 25, 2017**
- (51) **LOC (11) Cl.** ..... **06-01**
- (52) **U.S. Cl.**  
USPC ..... **D6/716; D6/366**
- (58) **Field of Classification Search**  
USPC ..... D6/334-336, 364, 365, 366, 374, 375, D6/379, 380, 716, 716.1, 716.4  
CPC ..... A47C 7/004; A47C 7/006; A47C 7/18; A47C 7/24; A47C 7/40; A47C 7/46  
See application file for complete search history.

- D395,172 S \* 6/1998 Pate ..... D6/366
- D405,617 S \* 2/1999 Kaczmarek ..... D6/366
- D463,178 S \* 9/2002 Chu ..... D6/716.4
- D463,694 S \* 10/2002 Chu ..... D6/716.4
- D540,050 S \* 4/2007 Su ..... D6/366
- D583,595 S \* 12/2008 Knowles ..... D6/716
- D657,594 S \* 4/2012 Knight ..... D6/716
- D708,464 S \* 7/2014 Gokhale ..... D6/716

\* cited by examiner

*Primary Examiner* — Mimoso De

(57) **CLAIM**

The ornamental design for a swivel chair, as shown and described.

**DESCRIPTION**

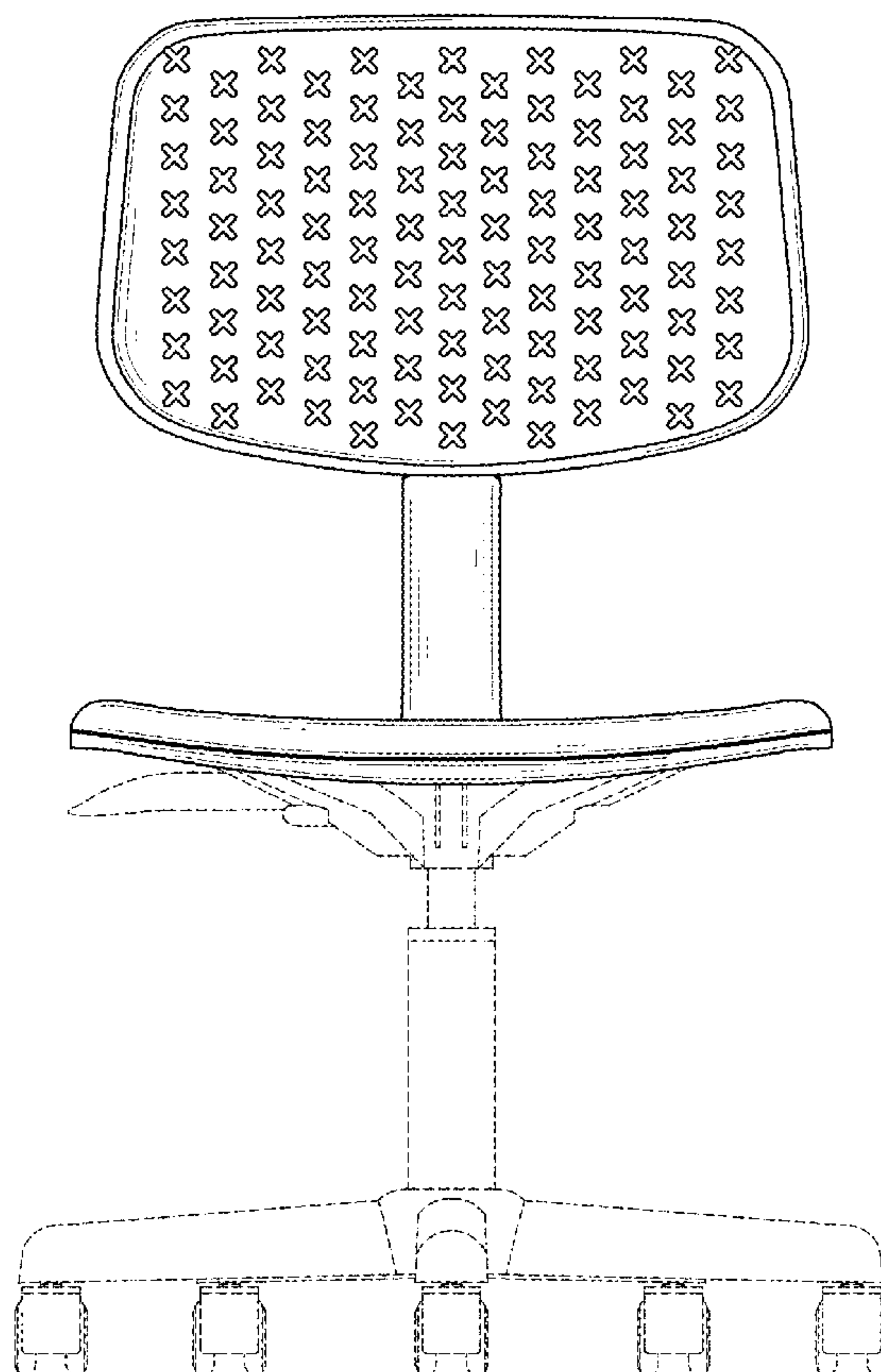
FIG. 1 is a front elevational view of a swivel chair showing my new design;  
 FIG. 2 is a rear elevational view thereof;  
 FIG. 3 is a left side view thereof;  
 FIG. 4 is a right side view thereof;  
 FIG. 5 is a top plan view thereof;  
 FIG. 6 is a bottom plan view thereof;  
 FIG. 7 is a first perspective view thereof; and,  
 FIG. 8 is a second perspective view thereof.  
 The broken lines in the drawings illustrate portions of the swivel chair which form no part of the claimed design.

(56) **References Cited**

U.S. PATENT DOCUMENTS

- D230,443 S \* 2/1974 Klose ..... D6/366
- D243,486 S \* 3/1977 Buhk ..... D6/366

**1 Claim, 8 Drawing Sheets**



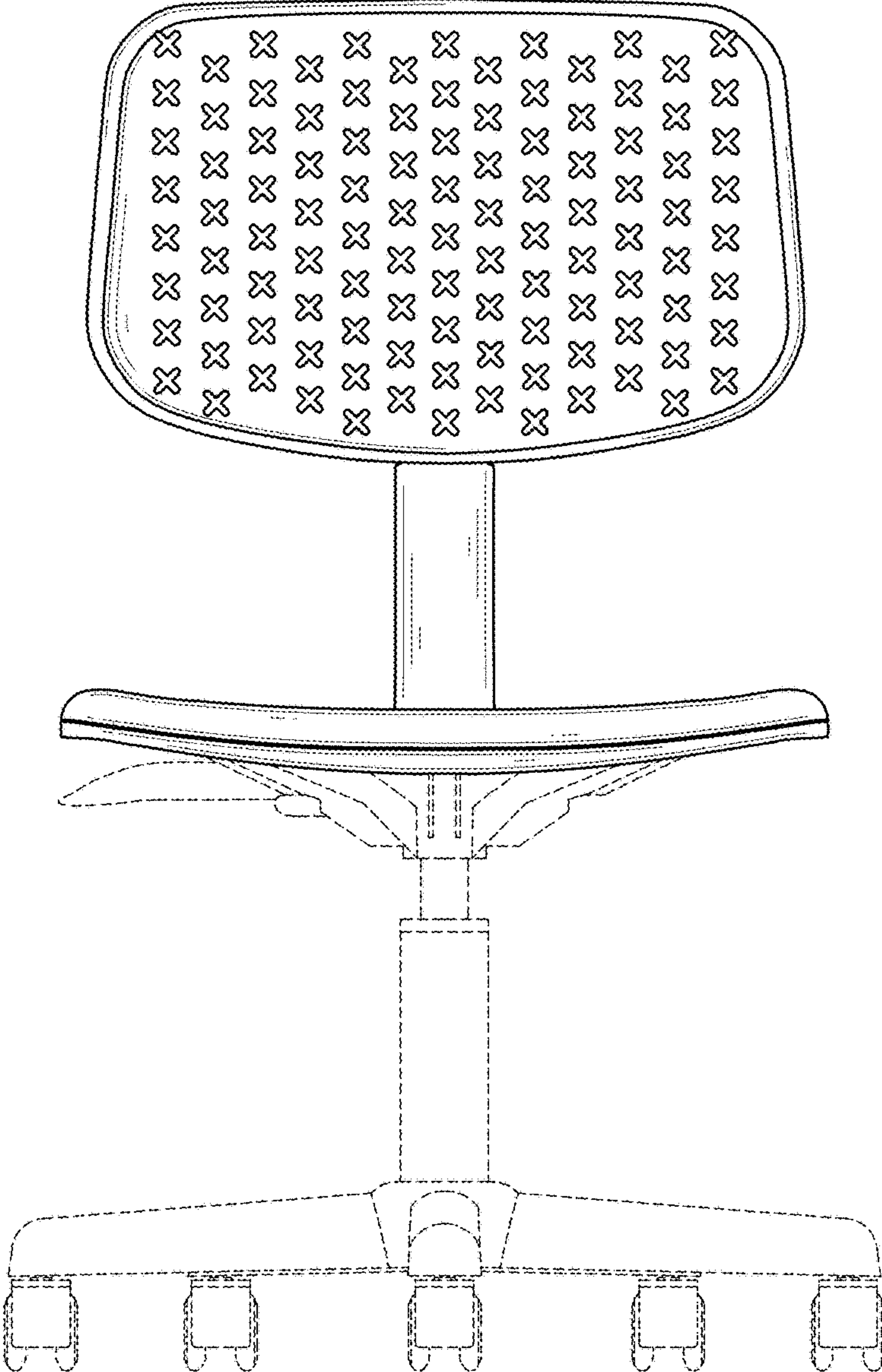


Fig. 1

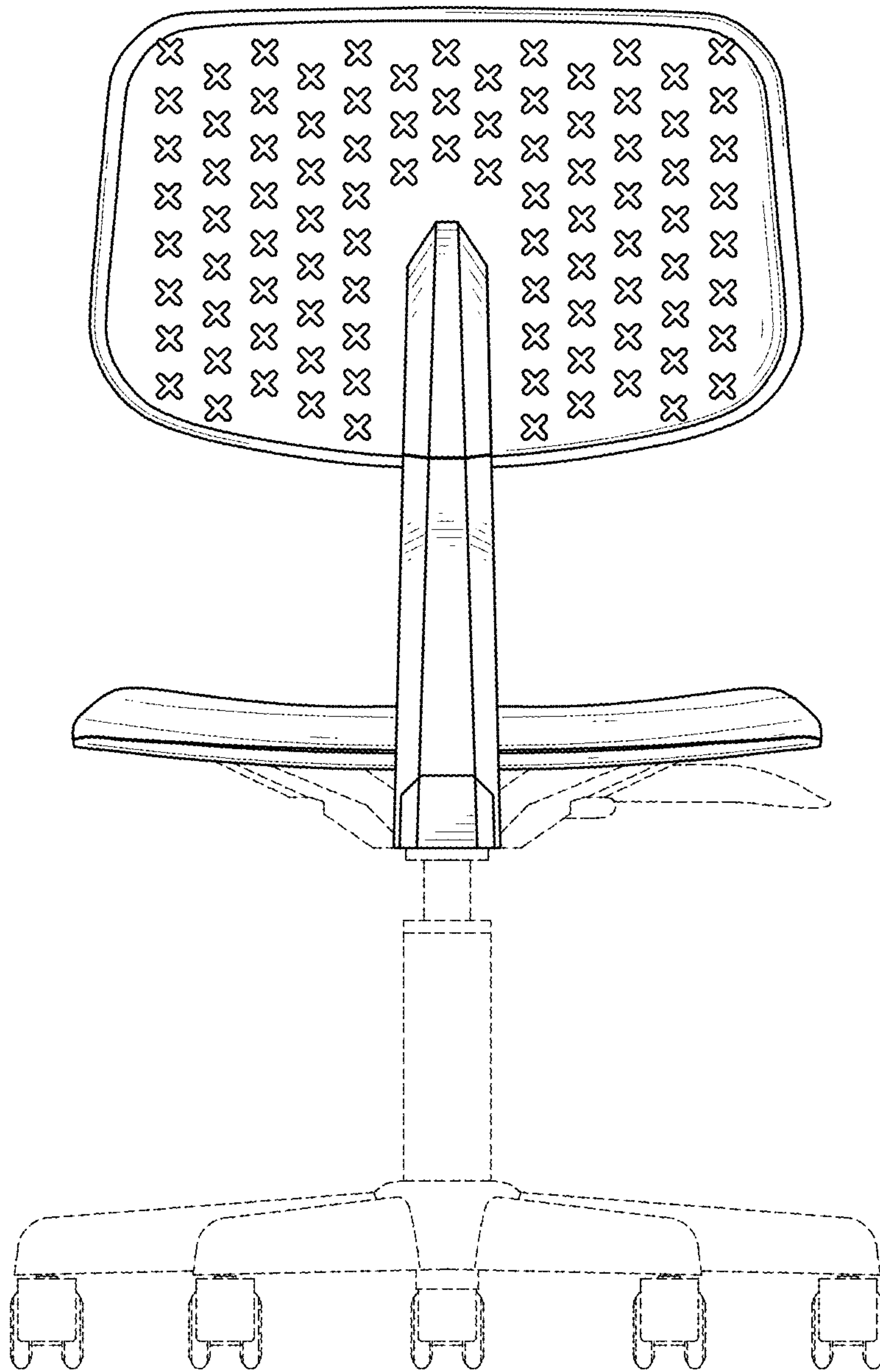


Fig. 2

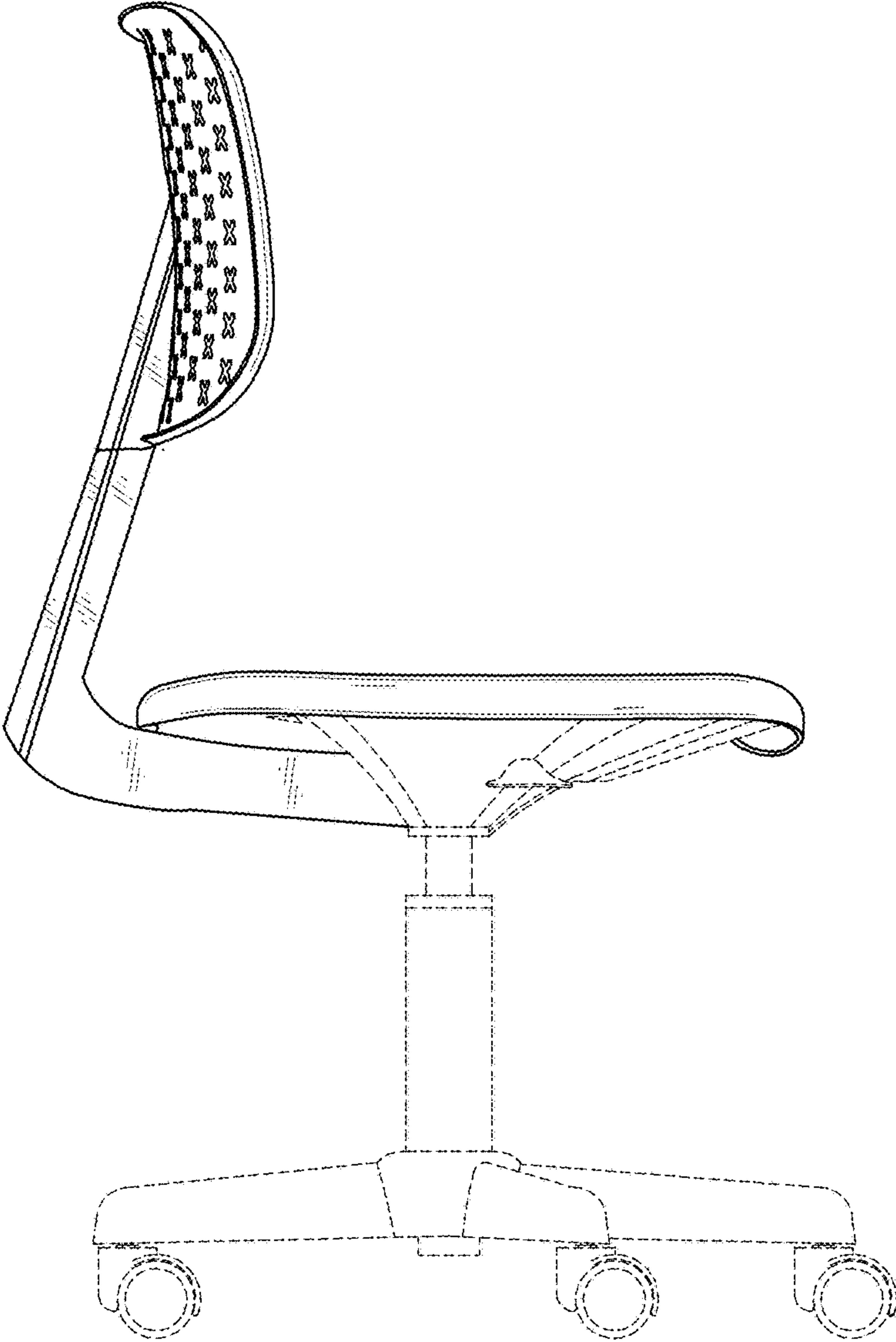


Fig. 3

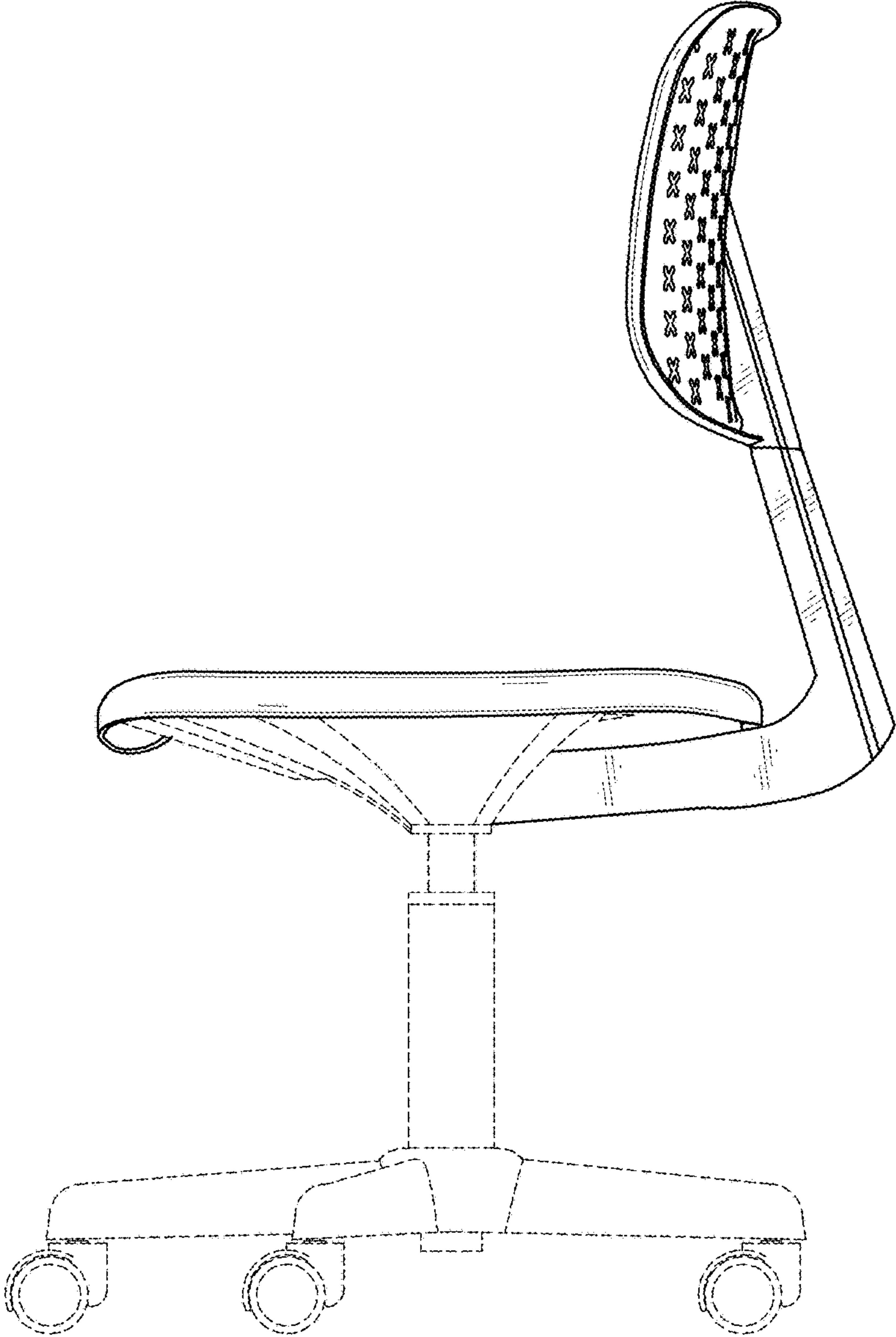


Fig. 4



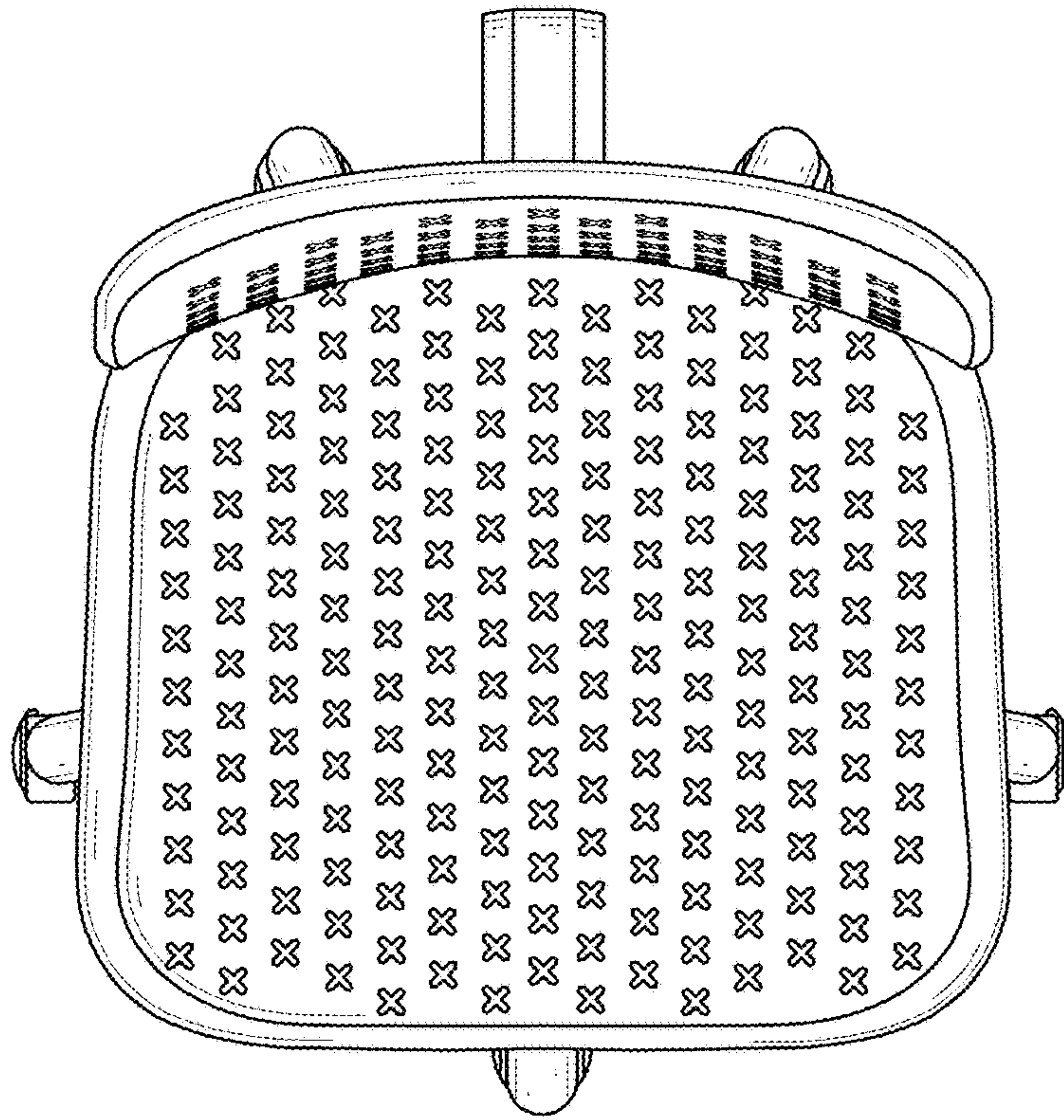


Fig. 5

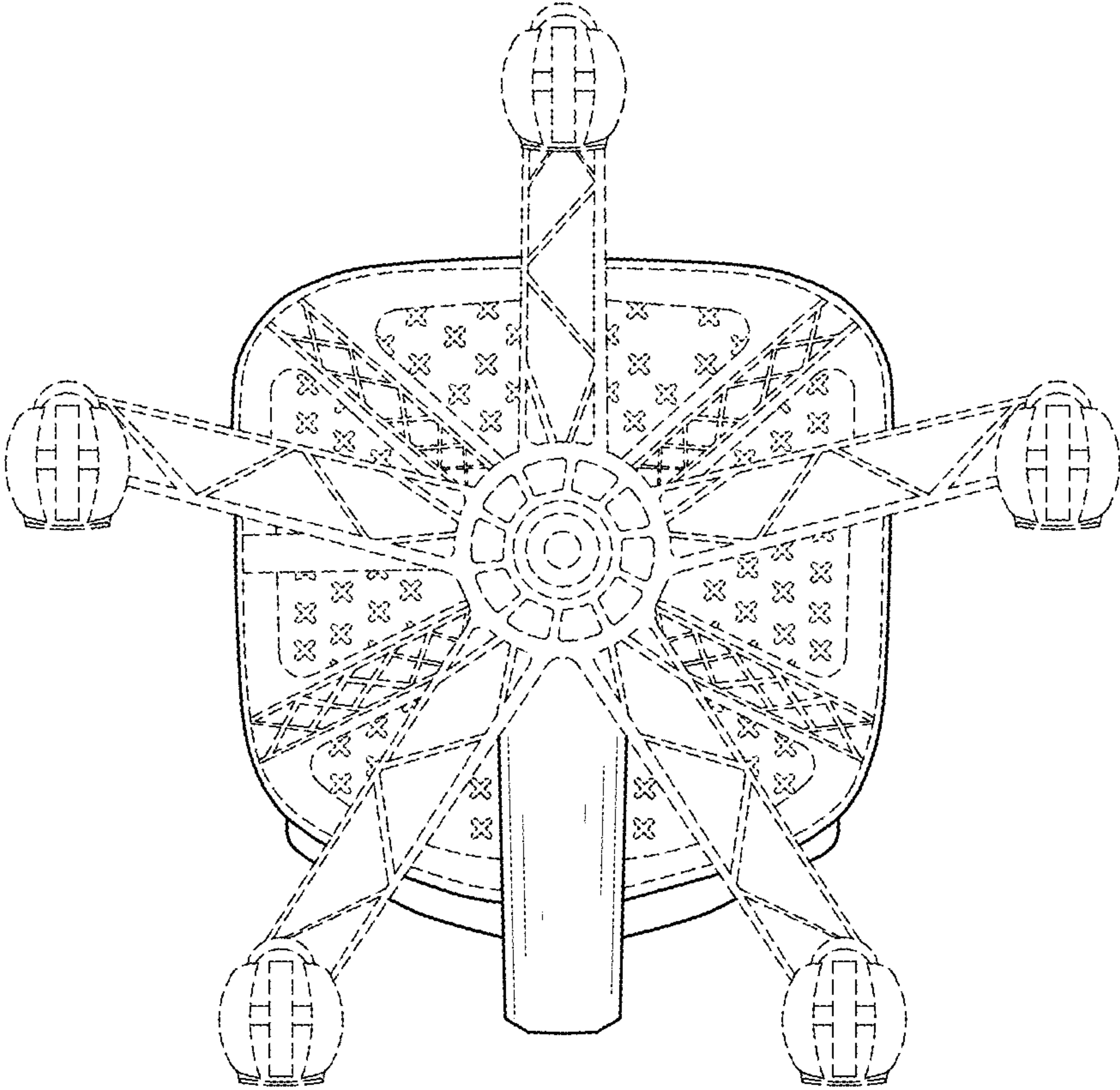


Fig. 6

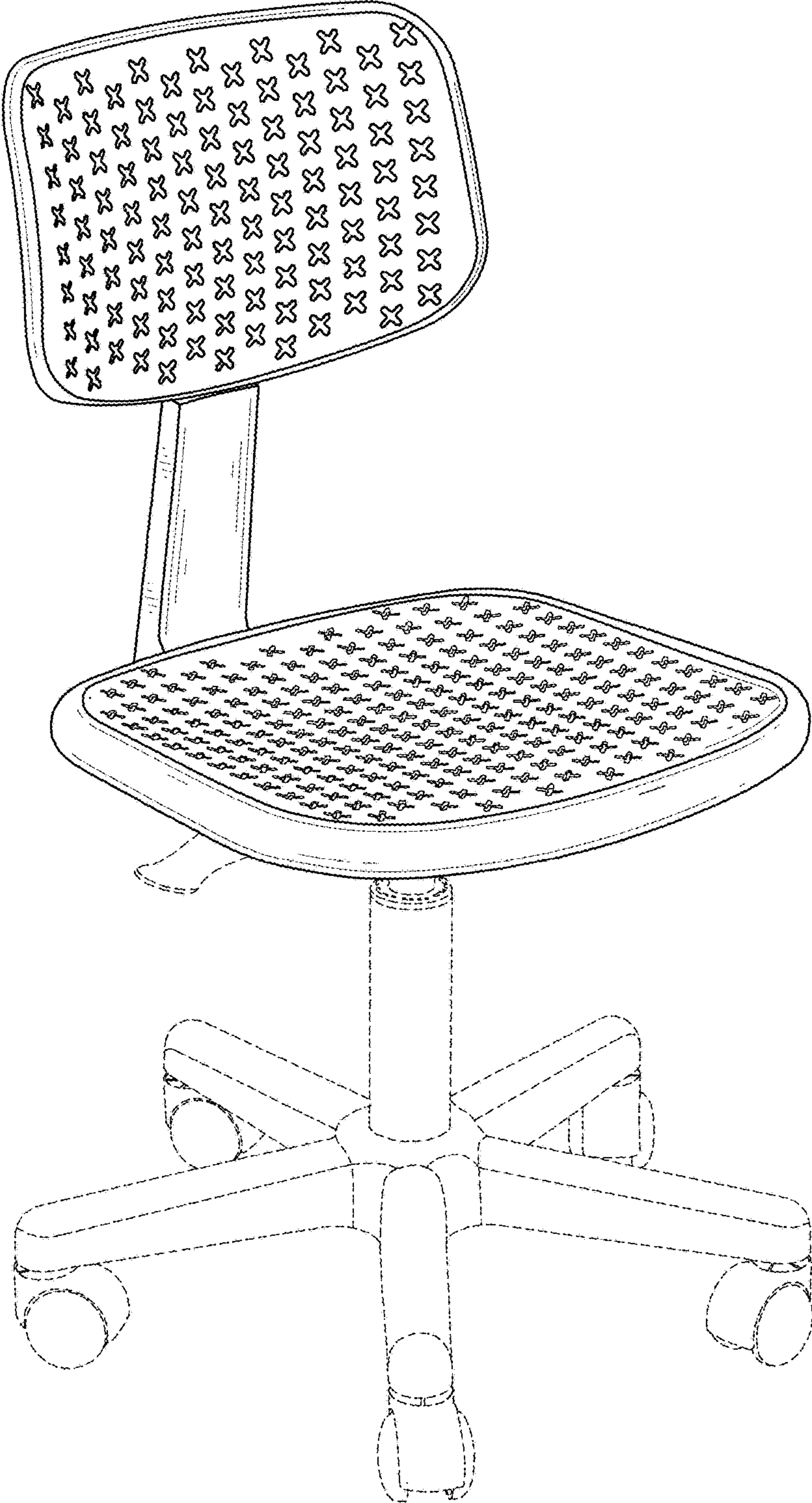


Fig. 7



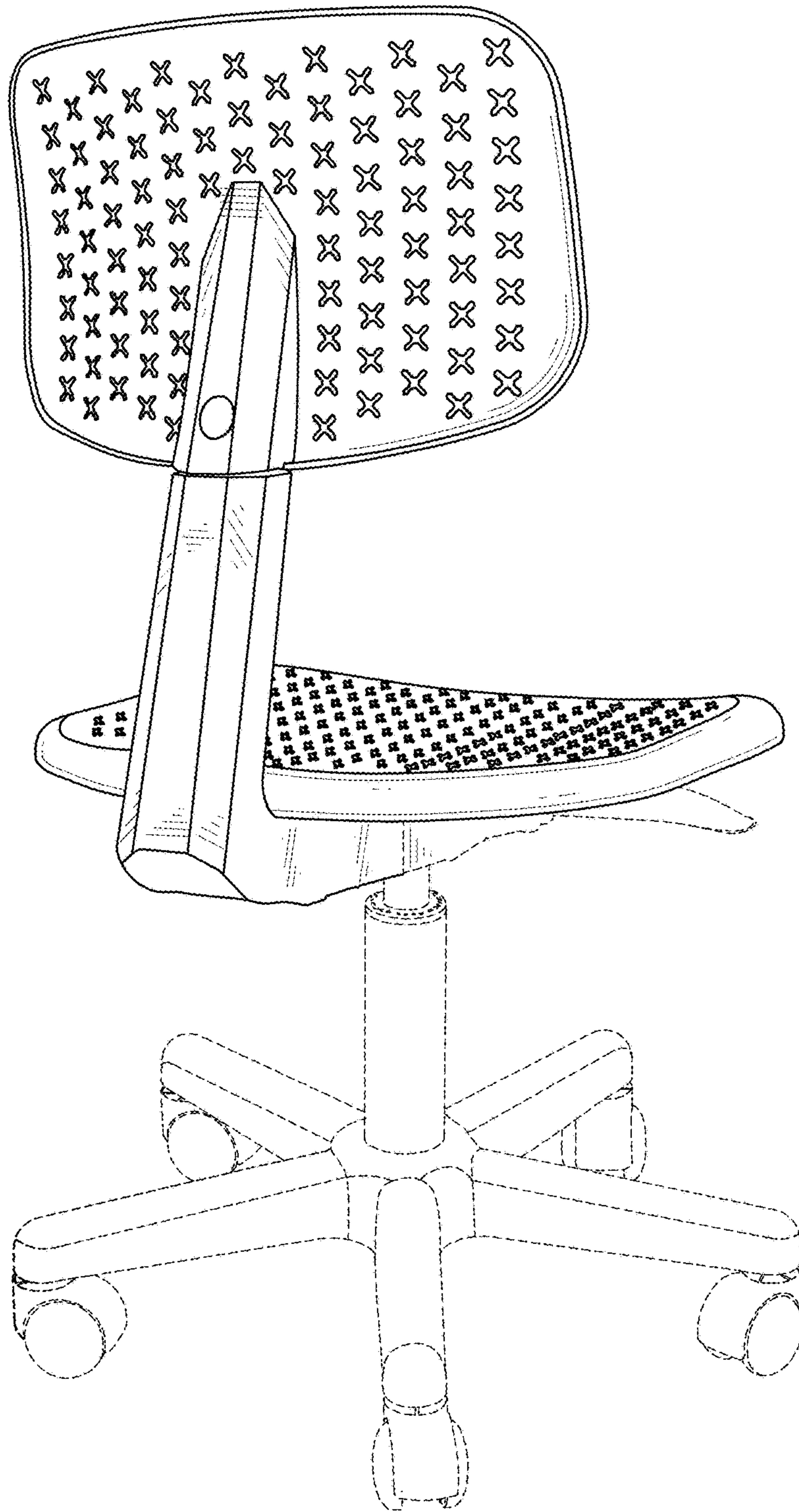


Fig. 8