



US00D811143S

(12) **United States Design Patent**
Chavarria

(10) **Patent No.:** **US D811,143 S**

(45) **Date of Patent:** **** Feb. 27, 2018**

(54) **CHAIR FRAME, LEGS AND ARMRESTS**

(71) Applicant: **Zhuhai Shichang Metals, Ltd.**, Zhuhai (CN)

(72) Inventor: **Juan Chavarria**, Barcelona (ES)

(73) Assignee: **Zhuhai Shichang Metals Ltd.**, Zhuhai (CN)

(**) Term: **15 Years**

(21) Appl. No.: **29/593,175**

(22) Filed: **Feb. 7, 2017**

(51) **LOC (11) Cl.** **06-01**

(52) **U.S. Cl.**
USPC **D6/709.2**; D6/375

(58) **Field of Classification Search**
USPC D6/334-336, 371, 372, 373, 374, 375, D6/376, 379, 716, 716.1, 716.2, 716.3, D6/716.4, 708.16, 709.2
CPC A47C 3/04; A47C 4/02; A47C 4/03; A47C 3/12; A47C 5/04; A47C 5/12; A47C 7/16
See application file for complete search history.

(56) **References Cited**

U.S. PATENT DOCUMENTS

D533,371 S	*	12/2006	Ciabatti	D6/376
D636,619 S	*	4/2011	Murdock	D6/708.16
D645,271 S	*	9/2011	Olano Jauregui	D6/375
D648,962 S	*	11/2011	Brodbeck	D6/709.2
D651,426 S	*	1/2012	Chiaramonte	D6/375
D655,527 S	*	3/2012	Pillet	D6/374
D666,428 S	*	9/2012	Morrison	D6/375
D670,928 S	*	11/2012	Montel	D6/375
D707,051 S	*	6/2014	Radice	D6/375

D707,053 S	*	6/2014	Radice	D6/375
D715,570 S	*	10/2014	Laub	D6/375
D728,960 S	*	5/2015	Lievore	D6/375
D741,078 S	*	10/2015	Chiaramonte	D6/375
D743,180 S	*	11/2015	Mehaffey	D6/375
D771,964 S	*	11/2016	Chen	D6/374

* cited by examiner

Primary Examiner — Mimosa De

(74) *Attorney, Agent, or Firm* — Luedeka Neely Group PC

(57) **CLAIM**

The ornamental design for a chair frame, legs and armrests, as shown and described.

DESCRIPTION

FIG. 1 is a top perspective view of the chair frame, legs and armrests;

FIG. 2 is a bottom perspective view of the chair frame, legs and armrests;

FIG. 3 is a right side elevation view of the chair frame, legs and armrests;

FIG. 4 is a left side elevation view of the chair frame, legs and armrests;

FIG. 5 is a front elevation view of the chair frame, legs and armrests;

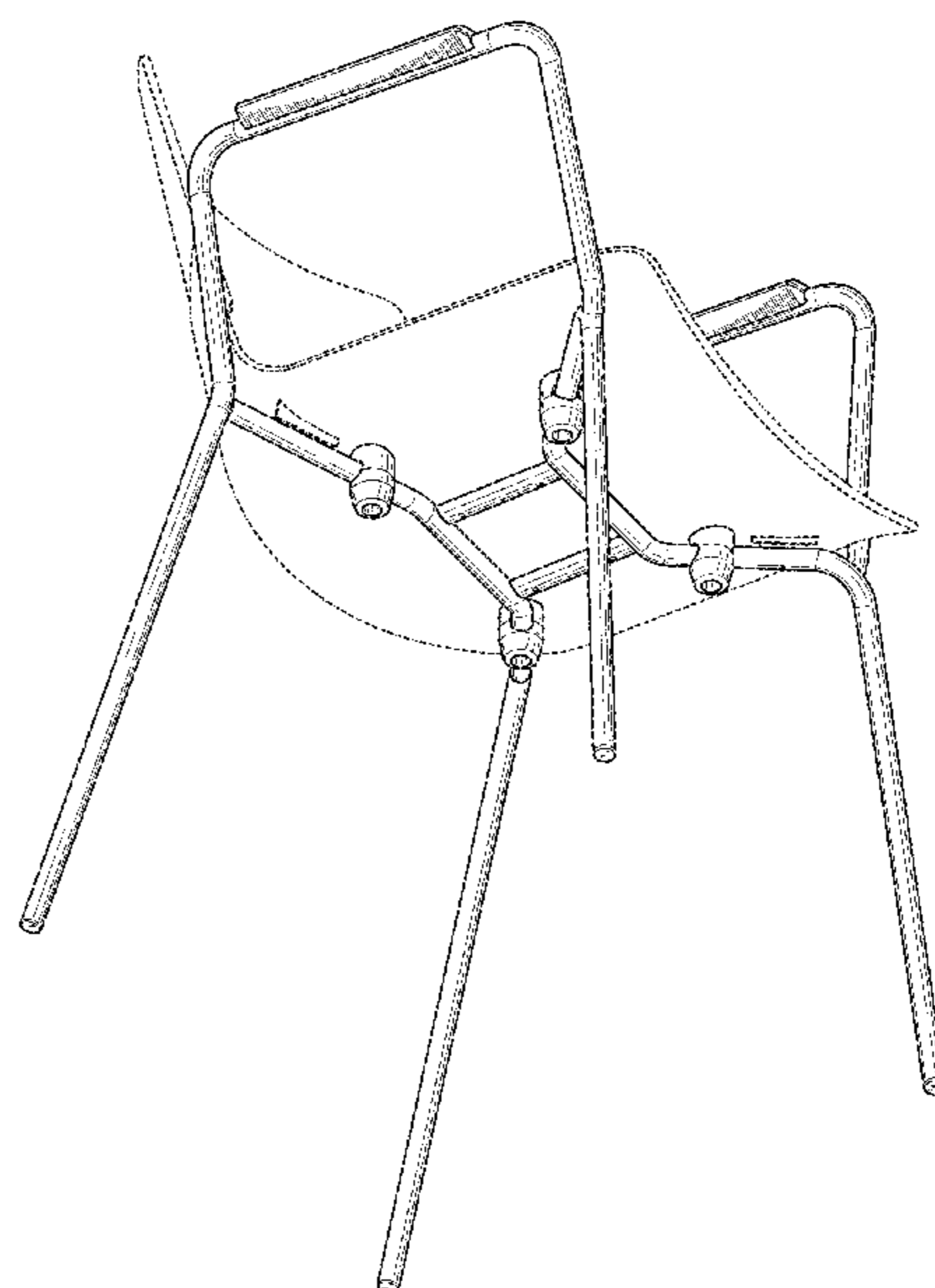
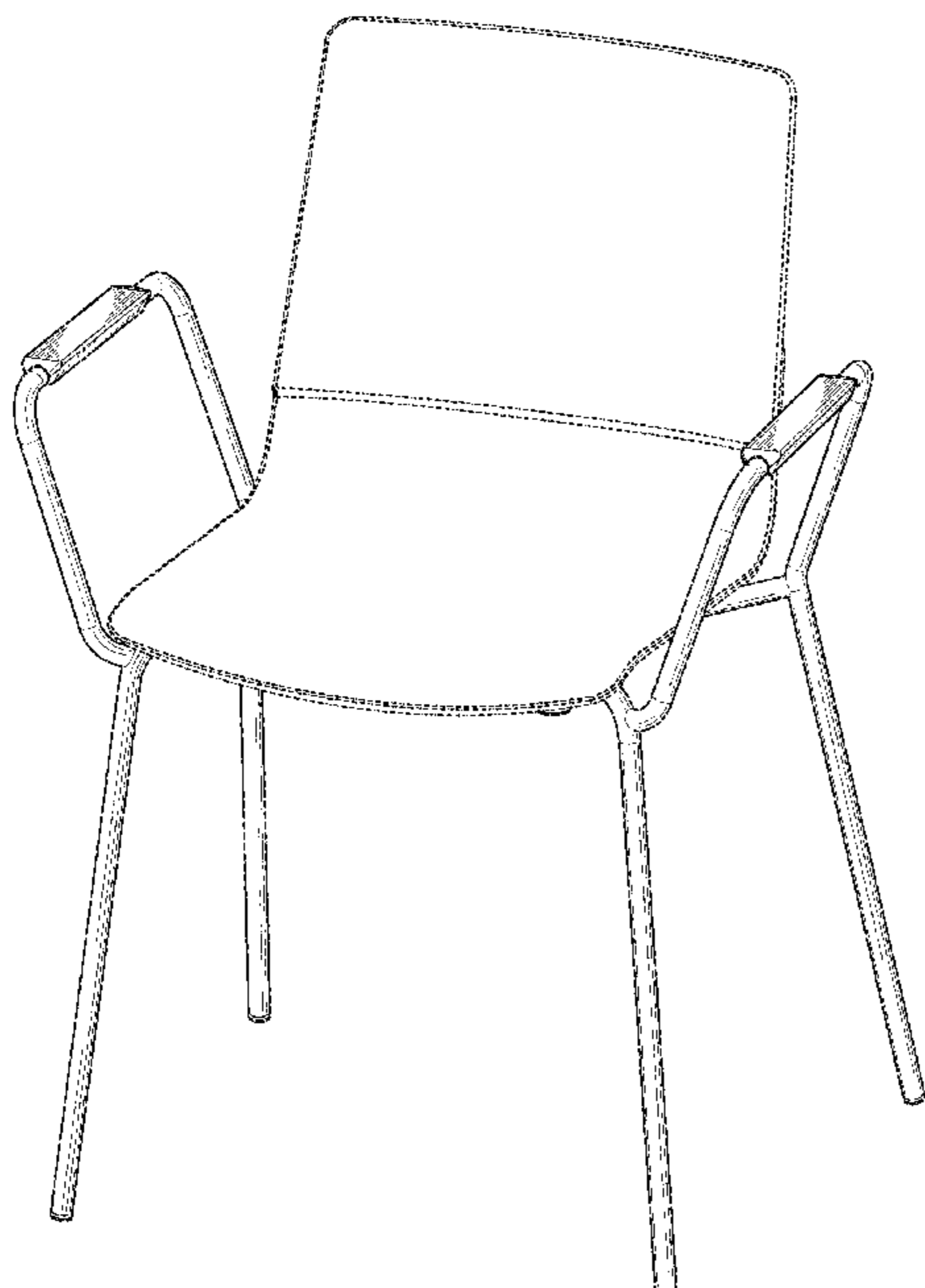
FIG. 6 is a rear elevation view of the chair frame, legs and armrests;

FIG. 7 is a top plan view of the chair frame, legs and armrests; and,

FIG. 8 is a bottom plan view of the chair frame, legs and armrests.

The broken lines shown in the figures are included for the purpose of illustrating environment only and form no part of the claimed design.

1 Claim, 8 Drawing Sheets



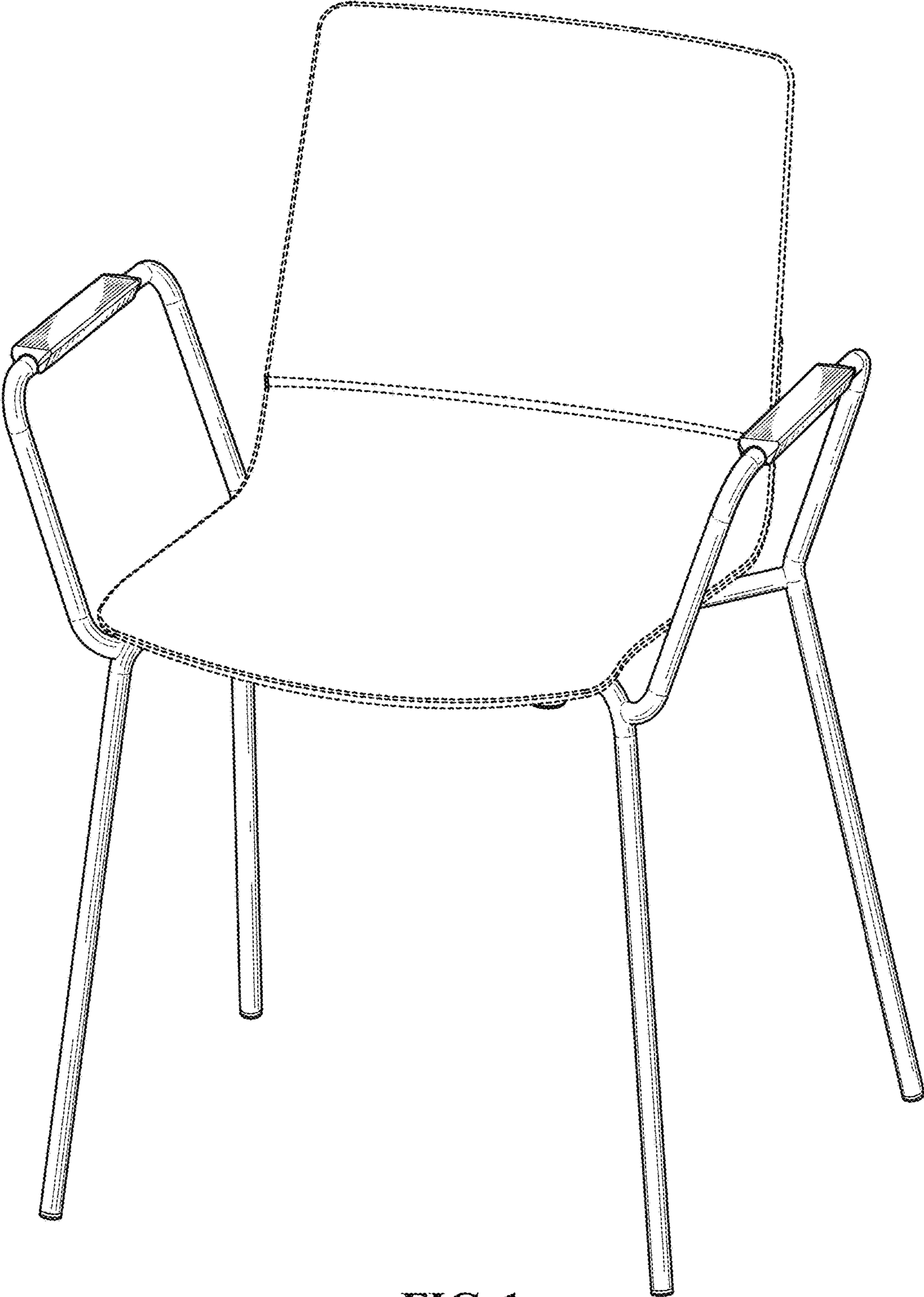


FIG. 1

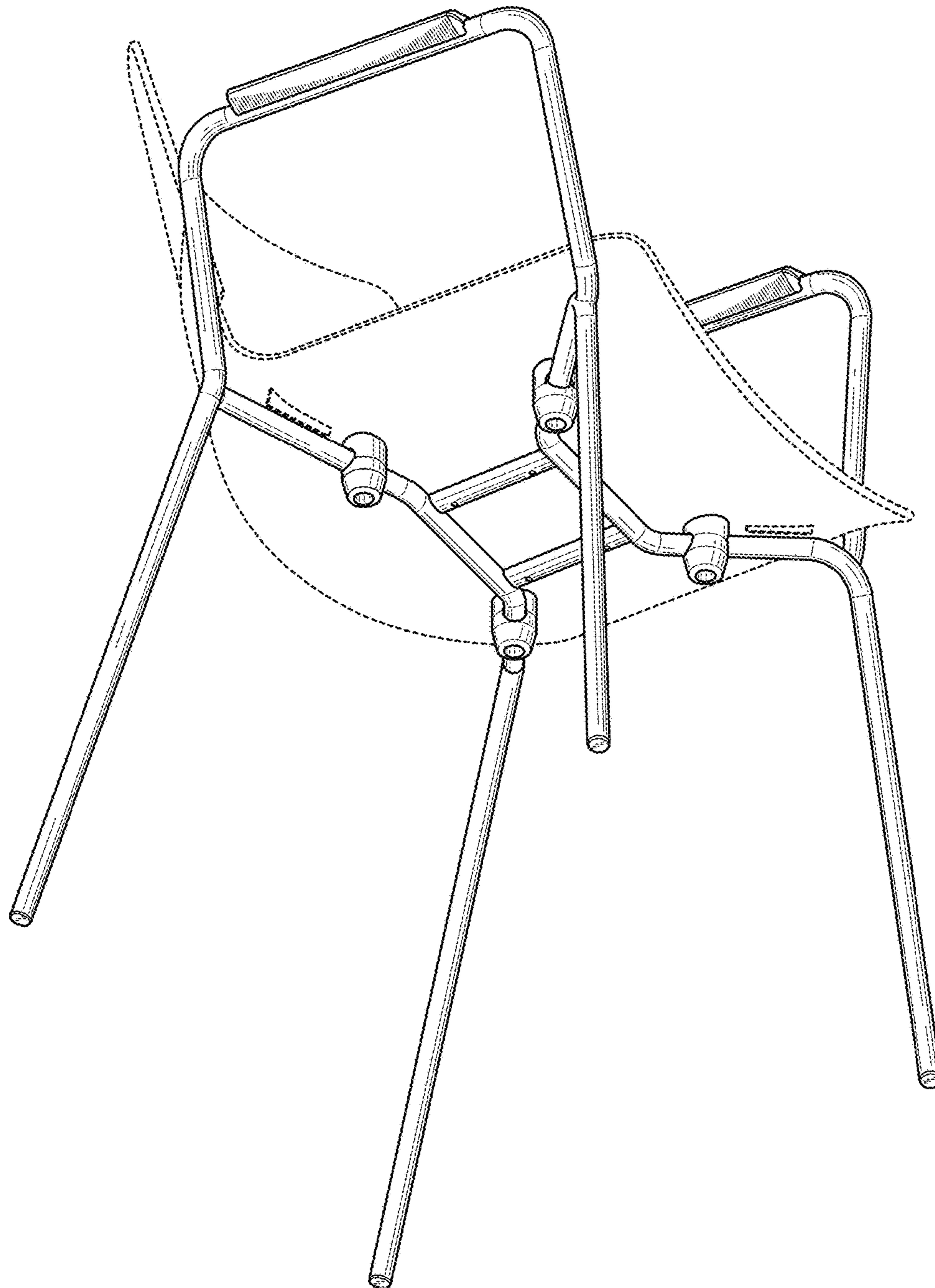


FIG. 2

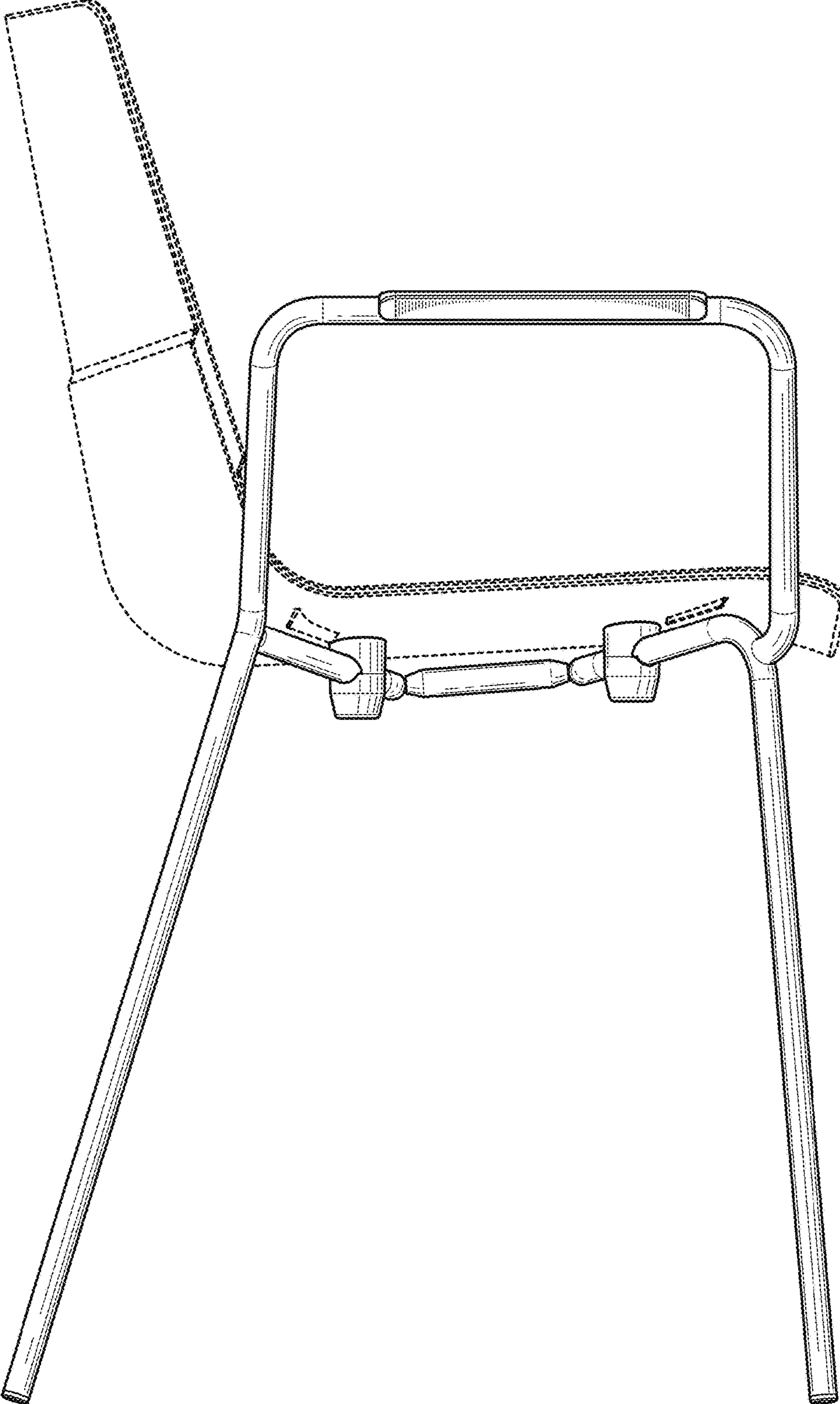


FIG. 3

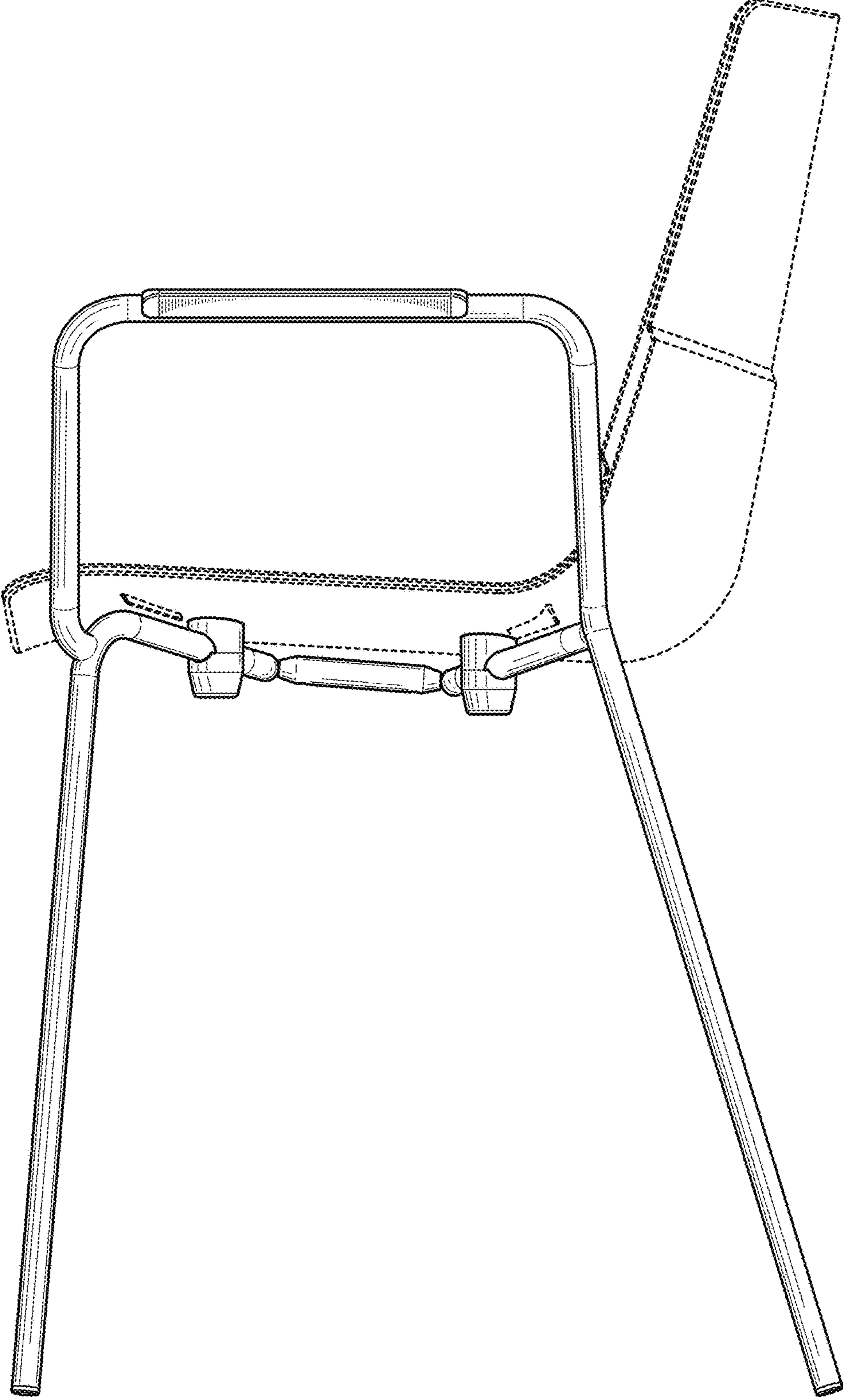


FIG. 4

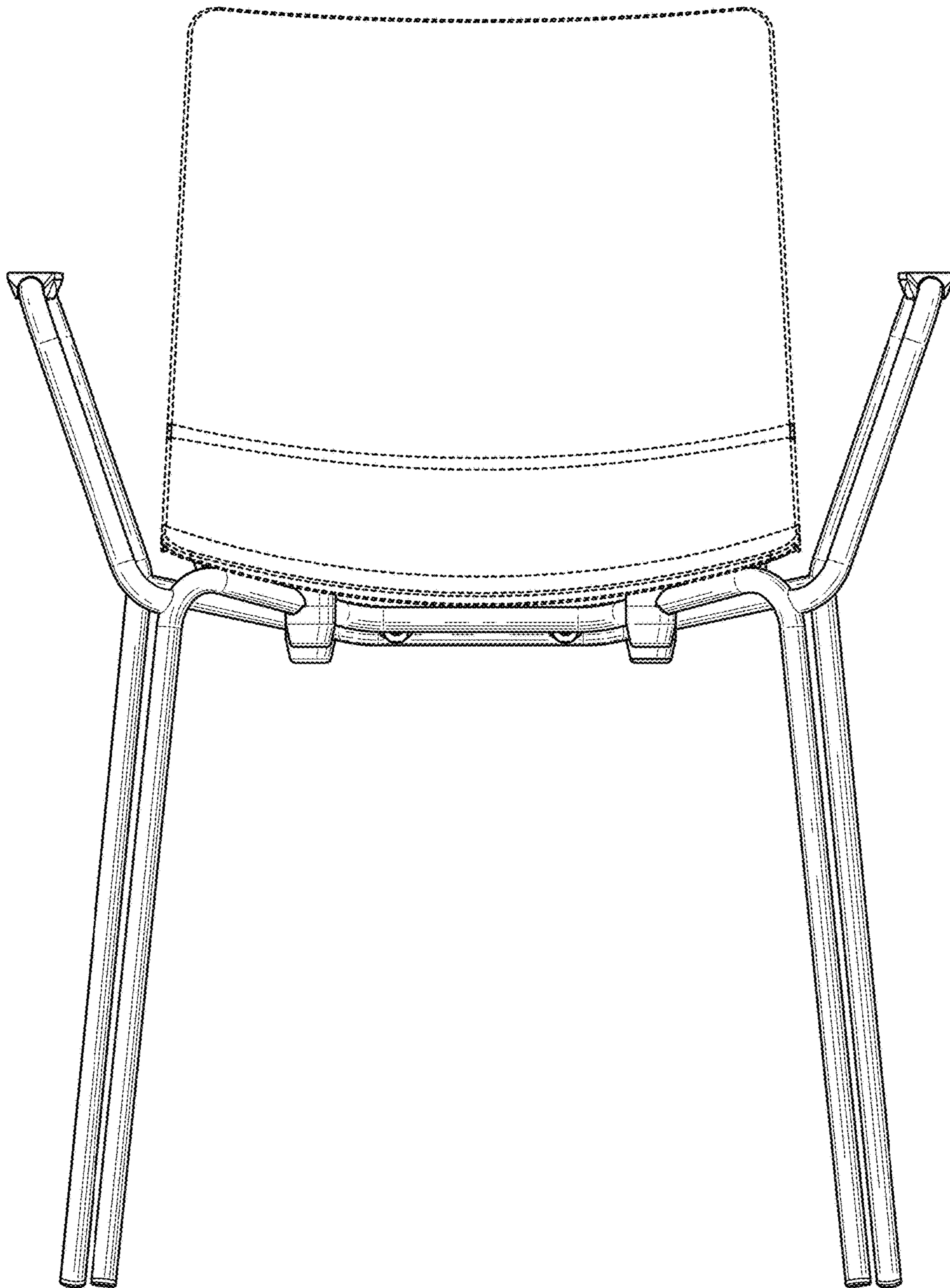


FIG. 5

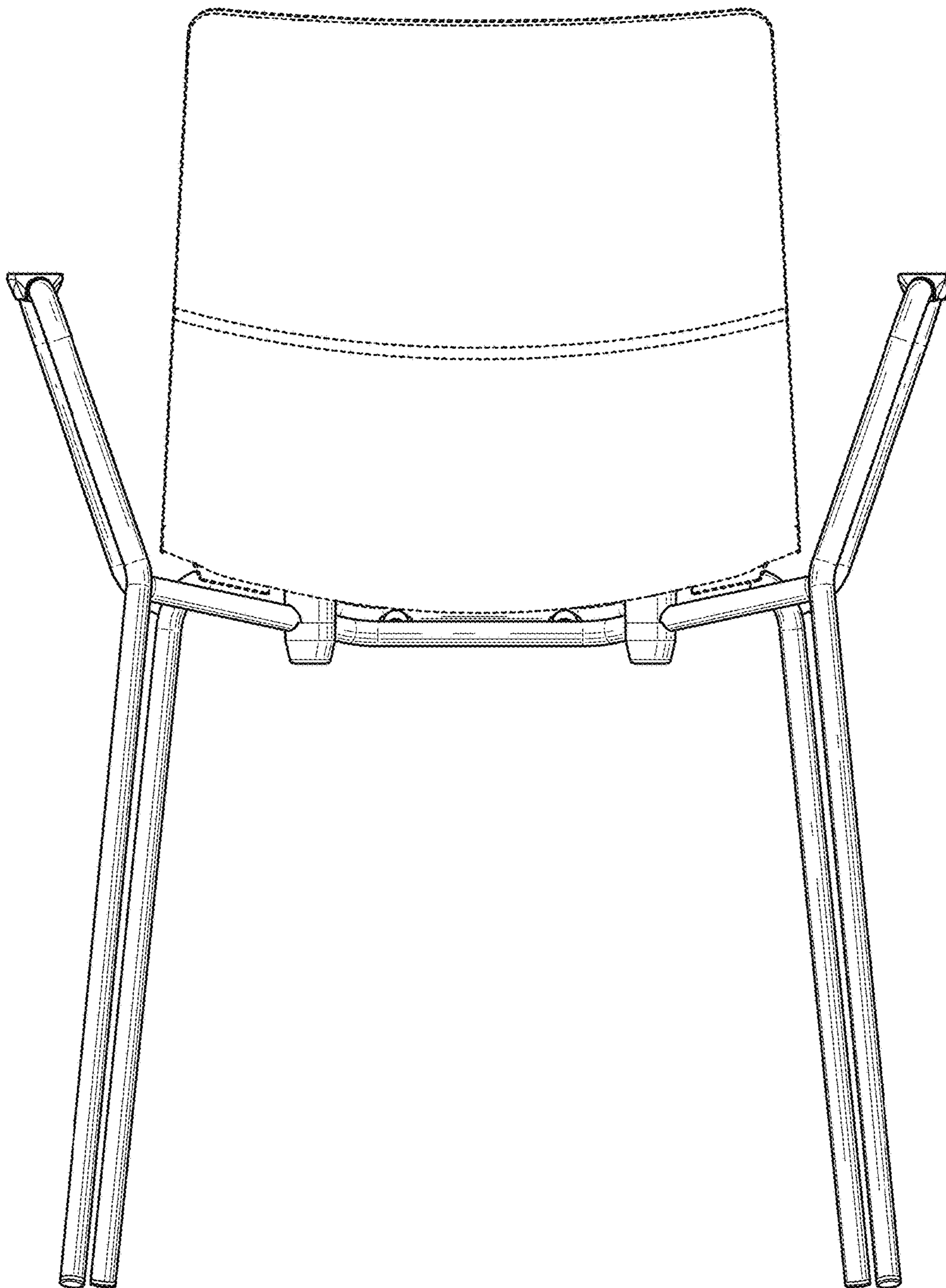


FIG. 6

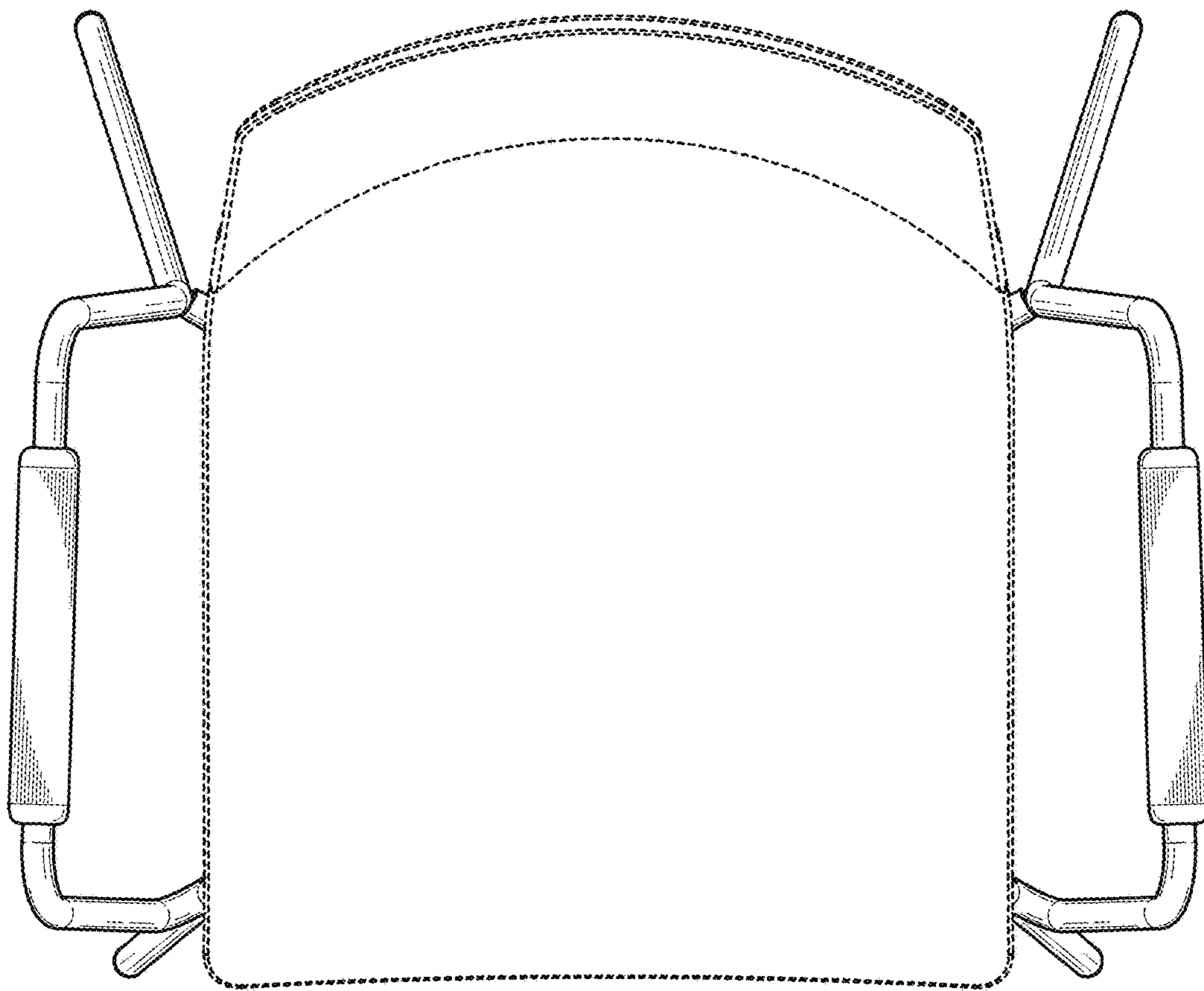


FIG. 7

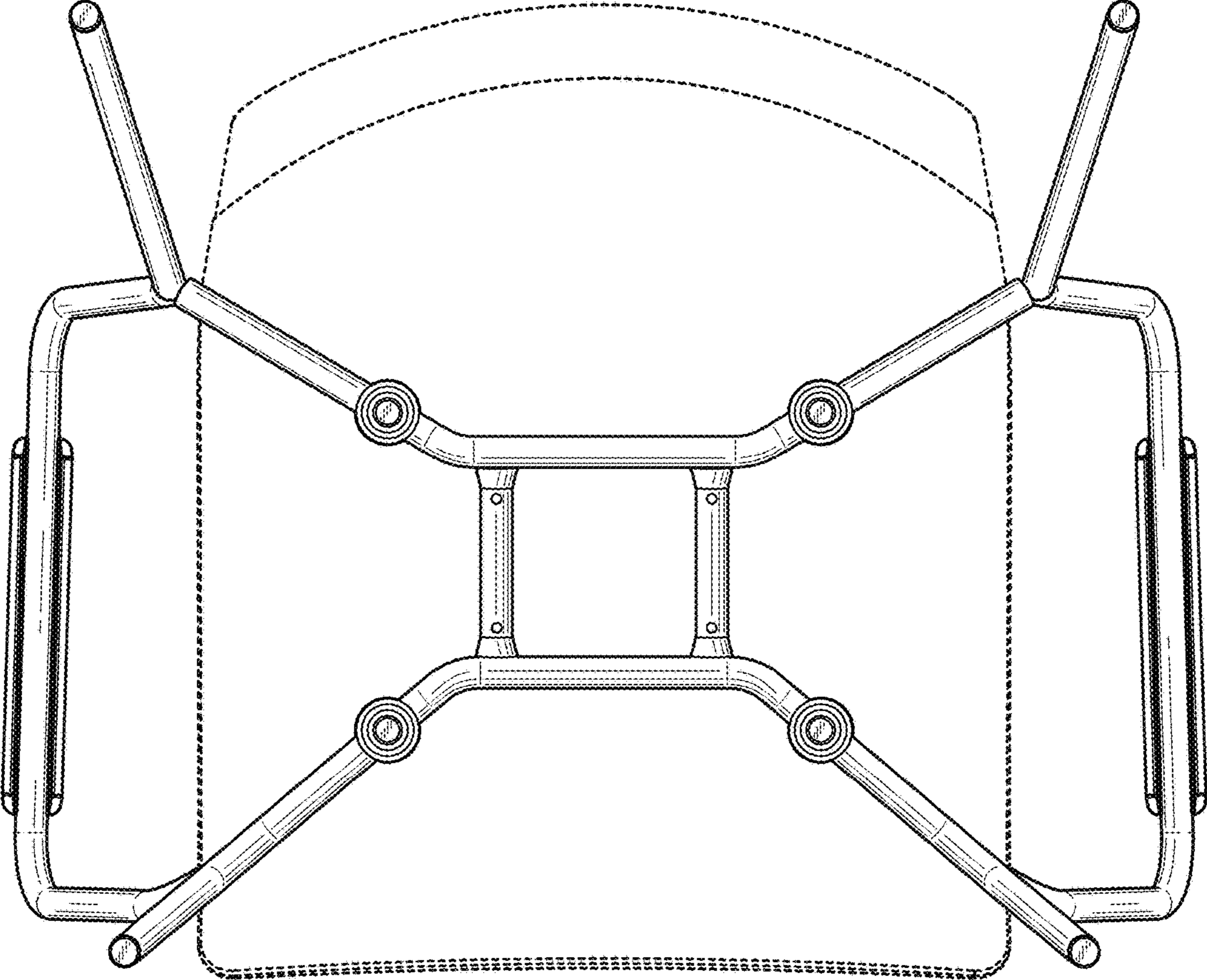


FIG. 8