



US00D811140S

(12) **United States Design Patent** (10) **Patent No.:** **US D811,140 S**  
**Lee et al.** (45) **Date of Patent:** **\*\* Feb. 27, 2018**

(54) **SHELF FOR DISPLAY RACK**

96/04; A47B 96/16; A47F 5/00; A47F 5/0043; A47F 7/00; A47F 7/007; G09F 13/22

(71) Applicant: **LG ELECTRONICS INC.**, Seoul (KR)

See application file for complete search history.

(72) Inventors: **Hophil Lee**, Seoul (KR); **Kyoungjoung Kim**, Seoul (KR); **Jaehoem Im**, Seoul (KR); **Jaewon Jeong**, Seoul (KR)

(56) **References Cited**

U.S. PATENT DOCUMENTS

D347,340 S *	5/1994	Willens	.....	D6/675.1
D587,944 S *	3/2009	Erickson	.....	D6/707.22
D598,685 S *	8/2009	Erickson	.....	D6/705.1
D598,686 S *	8/2009	Erickson	.....	D6/705.1
D657,980 S *	4/2012	Bielmann	.....	D6/707.22

(73) Assignee: **LG Electronics Inc.**, Seoul (KR)

(\*\*) Term: **15 Years**

\* cited by examiner

(21) Appl. No.: **35/502,129**

(22) Filed: **Jun. 20, 2016**

*Primary Examiner* — Mary Ann Calabrese

(74) *Attorney, Agent, or Firm* — Birch, Stewart, Kolasch & Birch, LLP

(80) **Hague Agreement Data**

Int. Filing Date: **Jun. 20, 2016**

Int. Reg. No.: **DM/091381**

Int. Reg. Date: **Jun. 20, 2016**

Int. Reg. Pub. Date: **Dec. 23, 2016**

(57) **CLAIM**

The ornamental design for a shelf for display rack, as shown and described.

**DESCRIPTION**

(30) **Foreign Application Priority Data**

Dec. 23, 2015 (KR) ..... 30-2015-0065954

(51) **LOC (11) Cl.** ..... **06-04**

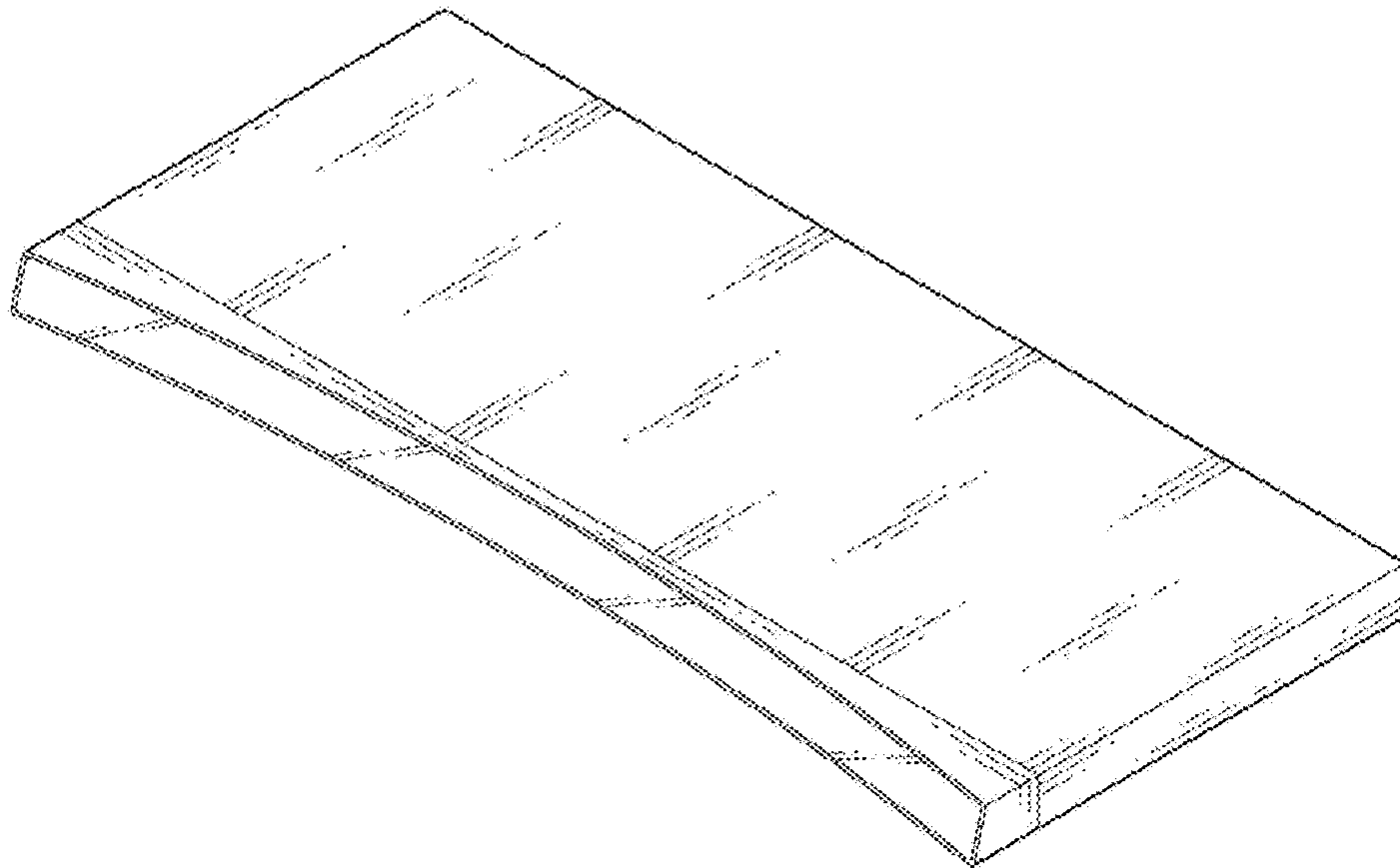
(52) **U.S. Cl.**  
USPC ..... **D6/705.1**

(58) **Field of Classification Search**  
USPC ... D6/522, 574, 672-675, 675.1, 678.2, 702, D6/703.1, 705, 705.1, 705.2, 707, 707.19, D6/707.22, 707.23; D26/76

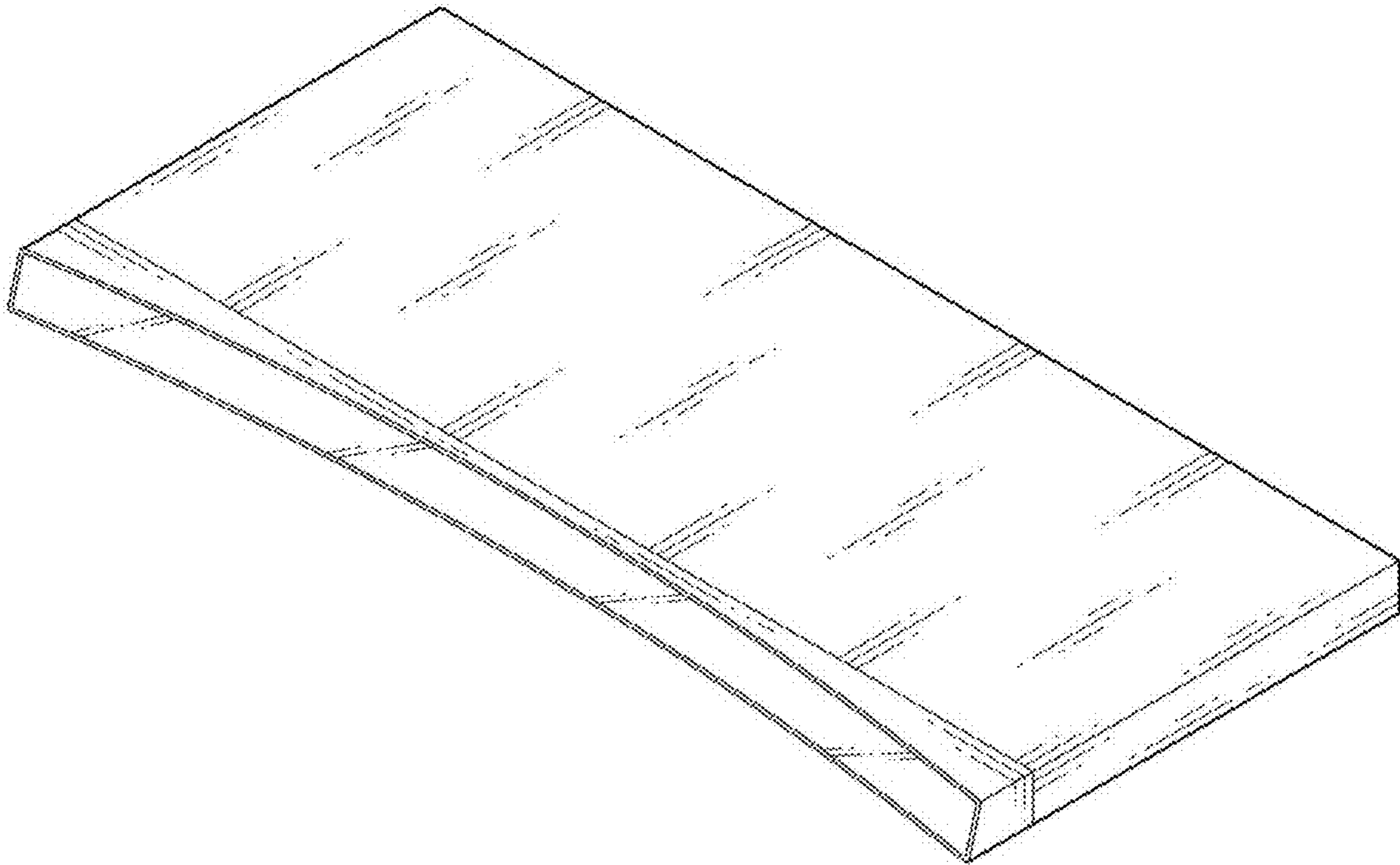
CPC ..... A47B 47/00; A47B 47/021; A47B 47/022; A47B 47/04; A47B 47/03; A47B 55/00; A47B 57/045; A47B 57/26; A47B 96/02; A47B 96/027; A47B 96/028; A47B

1. Shelf for display rack
  - 1.1 is a perspective view.
  - 1.2 is a front view.
  - 1.3 is a rear view.
  - 1.4 is a left side view.
  - 1.5 is a right side view.
  - 1.6 is a top view.
  - 1.7 is a bottom view.
  - 1.8 is a perspective view shown in use.
  - 1.9 is a perspective view shown in use in an alternate environment.
- In the drawings, the broken lines illustrates environment and forms no part of the claimed design.

**1 Claim, 9 Drawing Sheets**



1.1



1.2



1.3



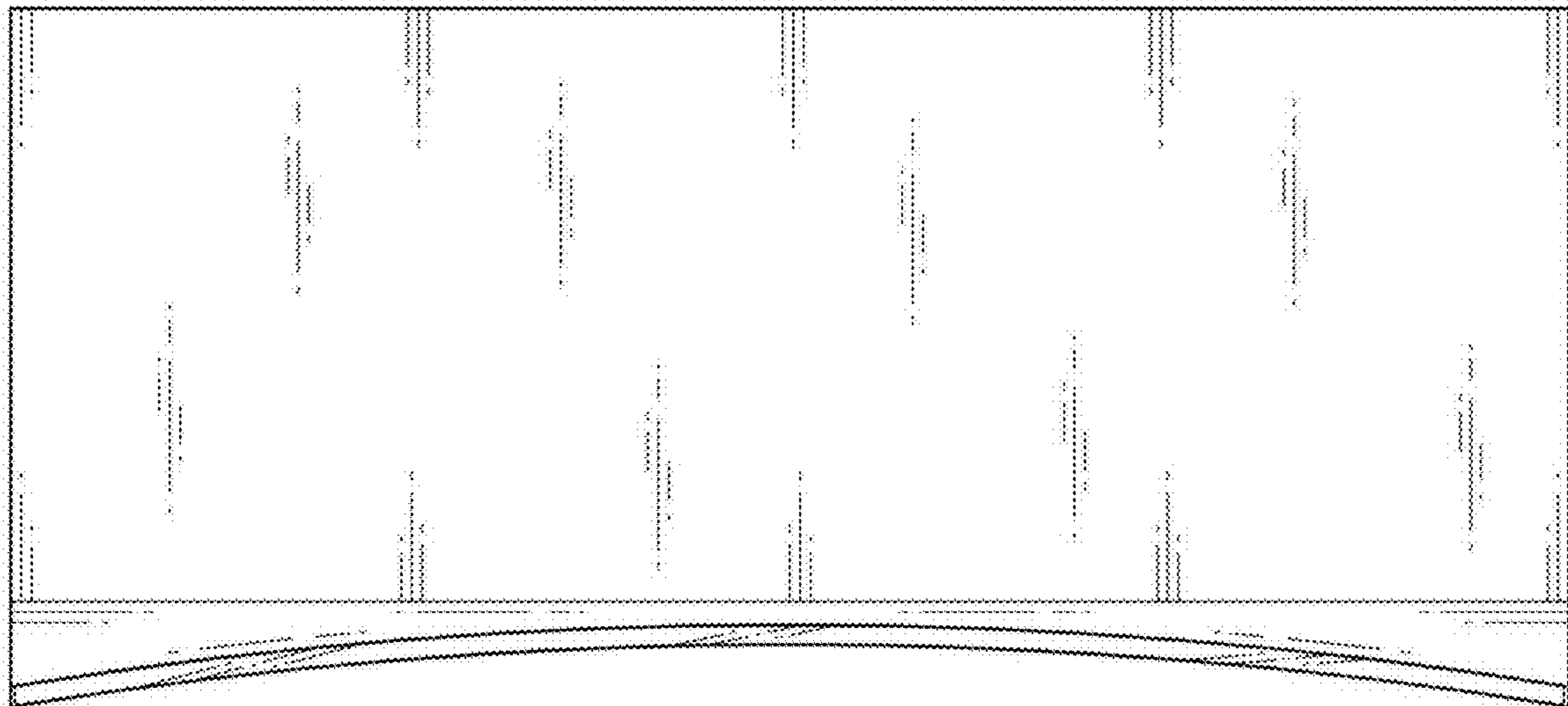
1.4



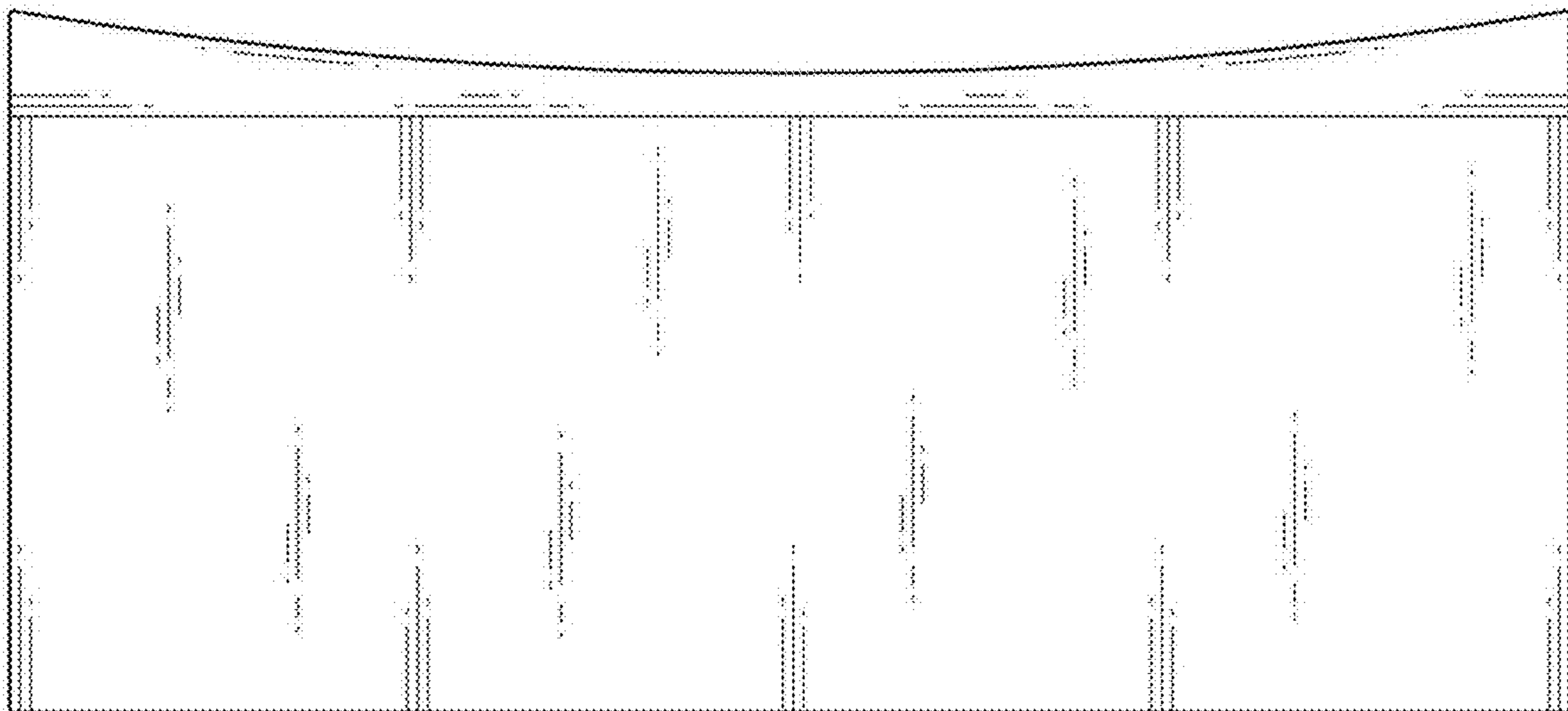
1.5



1.6

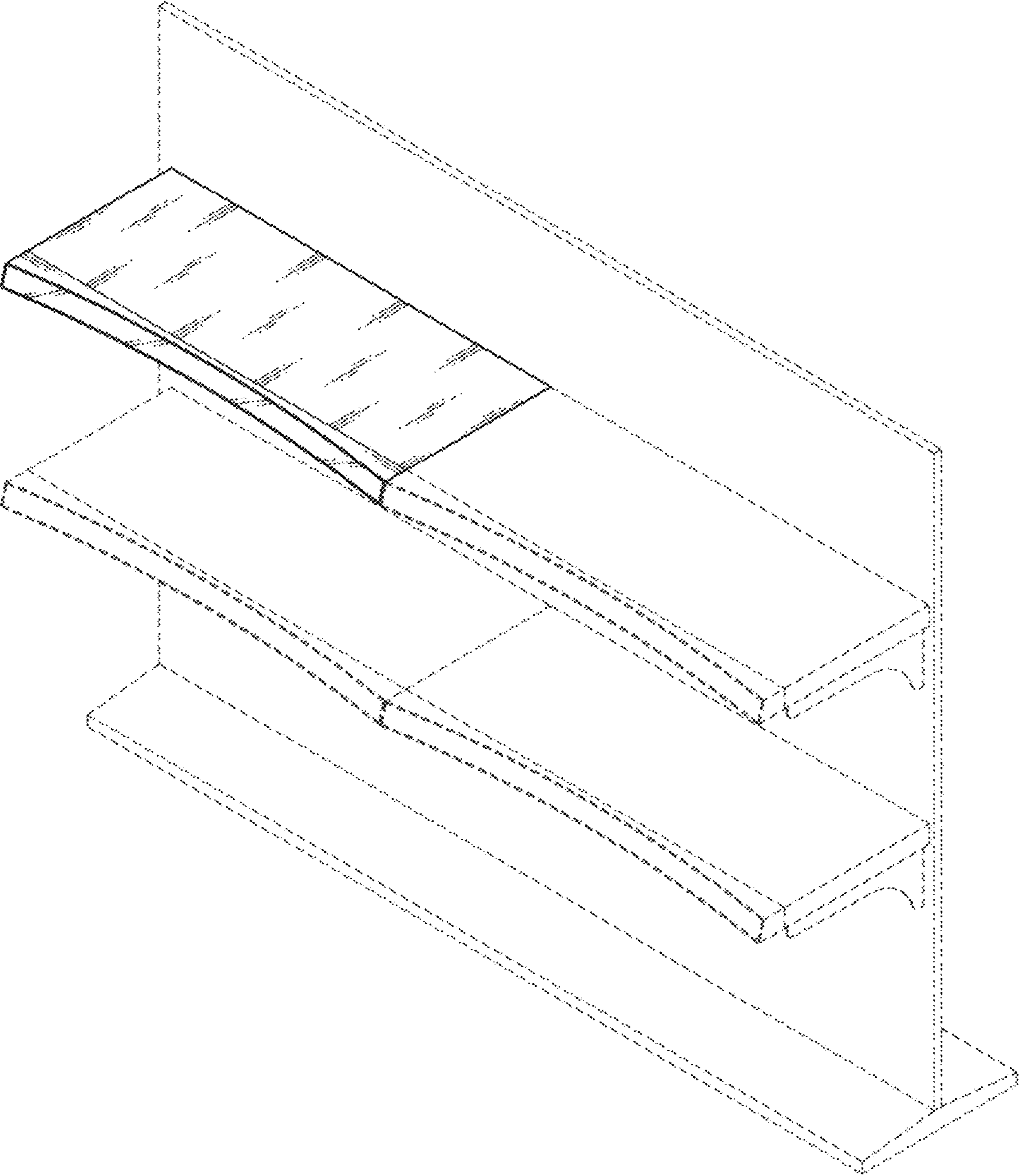


1.7





1.8



1.9

