



US00D811139S

(12) **United States Design Patent** (10) **Patent No.:** **US D811,139 S**
Lee et al. (45) **Date of Patent:** **** Feb. 27, 2018**

(54) **SHELF FOR DISPLAY RACK**

(56) **References Cited**

(71) Applicant: **LG ELECTRONICS INC.**, Seoul (KR)

U.S. PATENT DOCUMENTS

(72) Inventors: **Hophil Lee**, Seoul (KR); **Kyoungjoung Kim**, Seoul (KR); **Jaeboem Im**, Seoul (KR); **Jaewon Jeong**, Seoul (KR)

D409,422 S *	5/1999	West	D6/705.1
D454,730 S *	3/2002	Harwanko	D6/678.1
D477,490 S *	7/2003	Hoernig	D6/574
D487,653 S *	3/2004	Harwanko	D6/678.1
D491,752 S *	6/2004	Harwanko	D6/678.1
D496,806 S *	10/2004	Chang	D6/675.1
D497,273 S *	10/2004	Harwanko	D6/675.1
D598,686 S *	8/2009	Erickson	D6/705.1
D607,669 S *	1/2010	Trinh	D6/678.2
D693,608 S *	11/2013	Cheng	D6/675.1

(73) Assignee: **LG Electronics Inc.**, Seoul (KR)

(**) Term: **15 Years**

* cited by examiner

(21) Appl. No.: **35/502,127**

(22) Filed: **Jun. 20, 2016**

Primary Examiner — Mary Ann Calabrese

(80) **Hague Agreement Data**

Int. Filing Date: **Jun. 20, 2016**
Int. Reg. No.: **DM/091379**
Int. Reg. Date: **Jun. 20, 2016**
Int. Reg. Pub. Date: **Dec. 23, 2016**

(74) *Attorney, Agent, or Firm* — Birch, Stewart, Kolasch & Birch, LLP

(57) **CLAIM**

The ornamental design for a shelf for display rack, as shown and described.

(30) **Foreign Application Priority Data**

Dec. 23, 2015 (KR) 30-2015-0065953

DESCRIPTION

(51) **LOC (11) Cl.** **06-04**

(52) **U.S. Cl.**

USPC **D6/705.1**

(58) **Field of Classification Search**

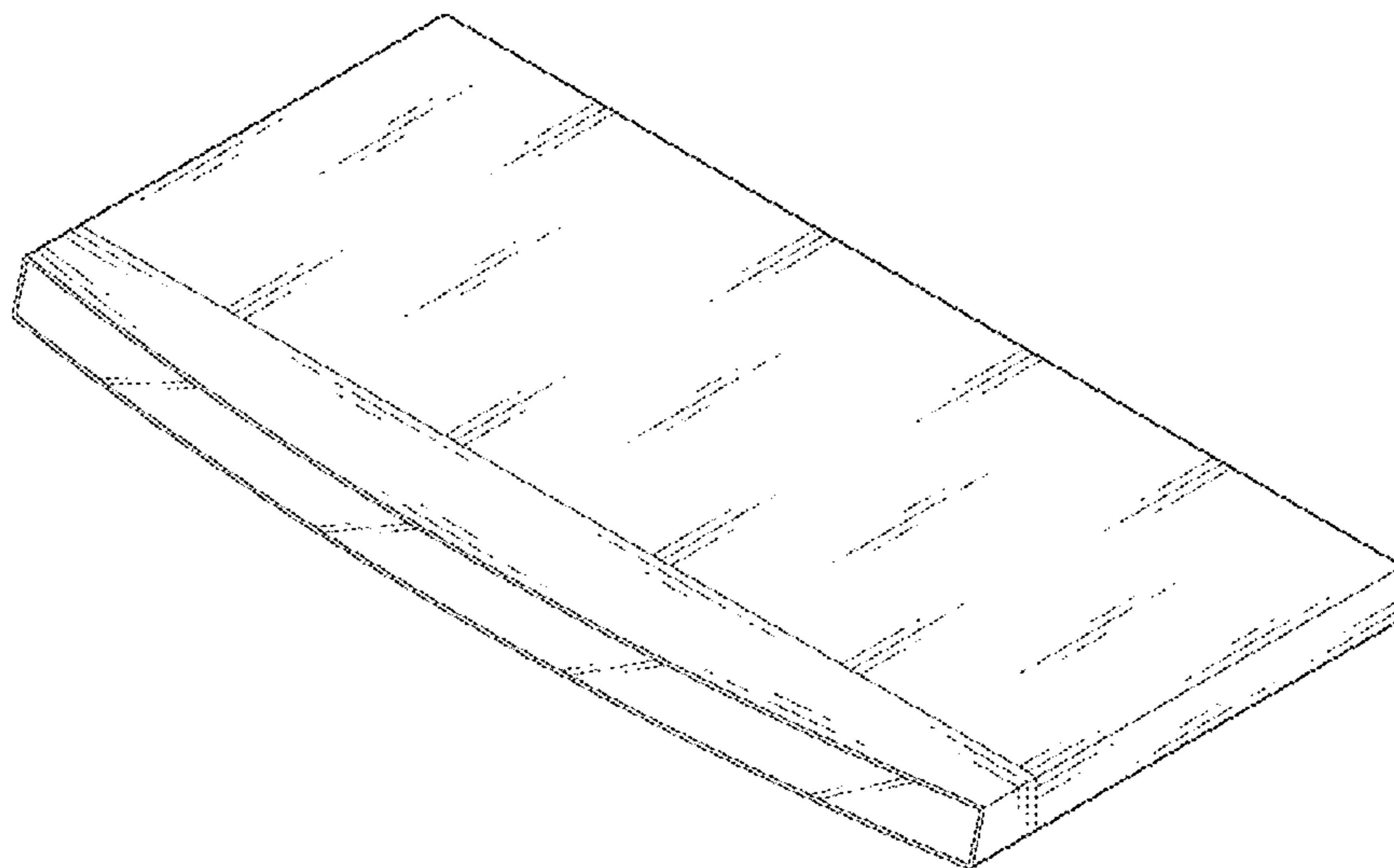
USPC ... D6/522, 574, 672-675, 675.1, 678.2, 702, D6/703.1, 705, 705.1, 705.2, 707, 707.19, D6/707.22, 707.23; D26/76

CPC A47B 47/00; A47B 47/021; A47B 47/022; A47B 47/04; A47B 47/03; A47B 55/00; A47B 57/045; A47B 57/26; A47B 96/02; A47B 96/027; A47B 96/028; A47B 96/04; A47B 96/16; A47F 5/00; A47F 5/0043; A47F 7/00; A47F 7/007; G09F 13/22

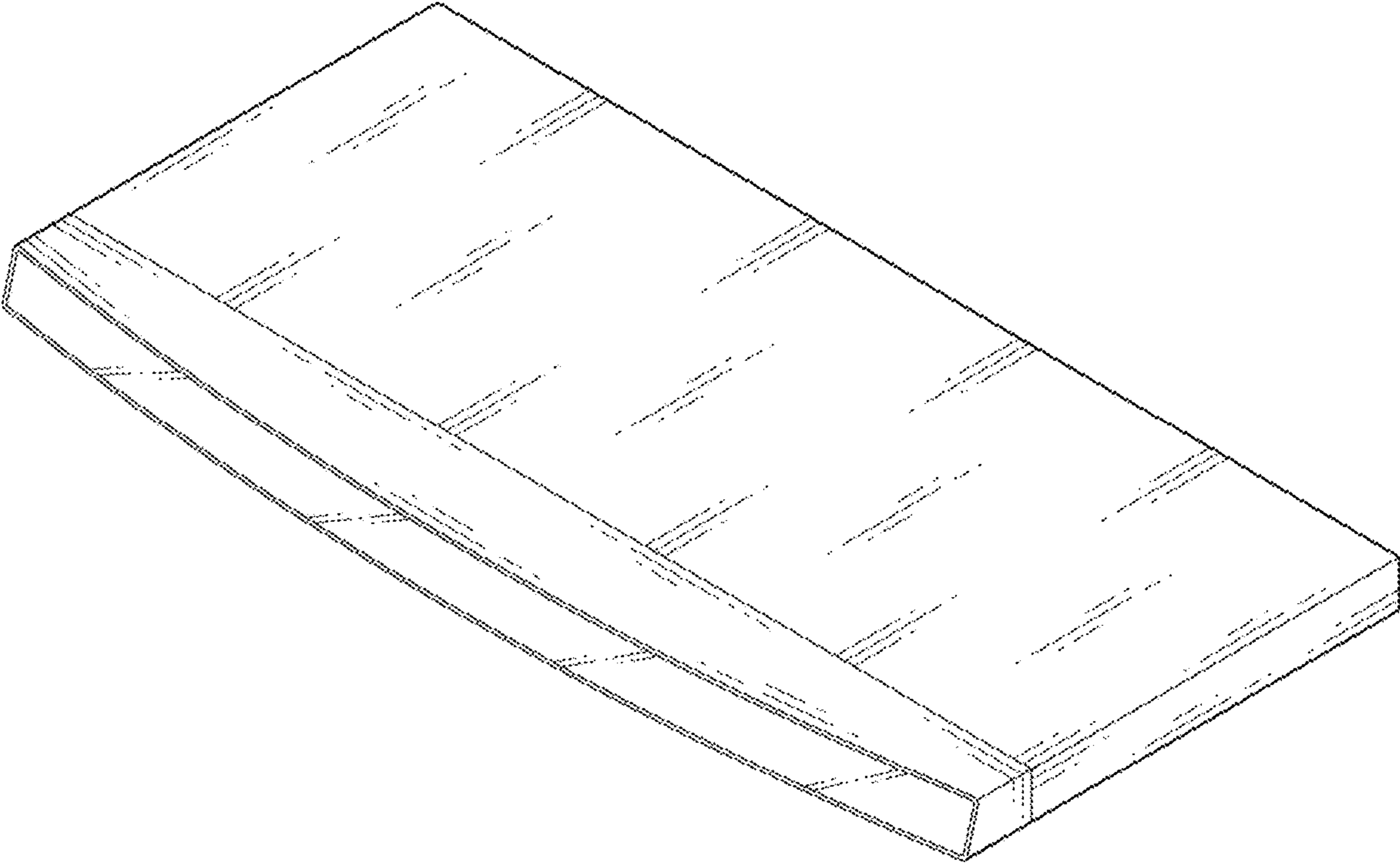
- 1. Shelf for display rack
 - 1.1 is a perspective view.
 - 1.2 is a front view.
 - 1.3 is a rear view.
 - 1.4 is a left side view.
 - 1.5 is a right side view.
 - 1.6 is a top view.
 - 1.7 is a bottom view.
 - 1.8 is a perspective view shown in use.
 - 1.9 is a perspective view shown in use in an alternate environment.
- In the drawings, the broken lines illustrates environment and forms no part of the claimed design.

See application file for complete search history.

1 Claim, 9 Drawing Sheets



1.1



1.2



1.3



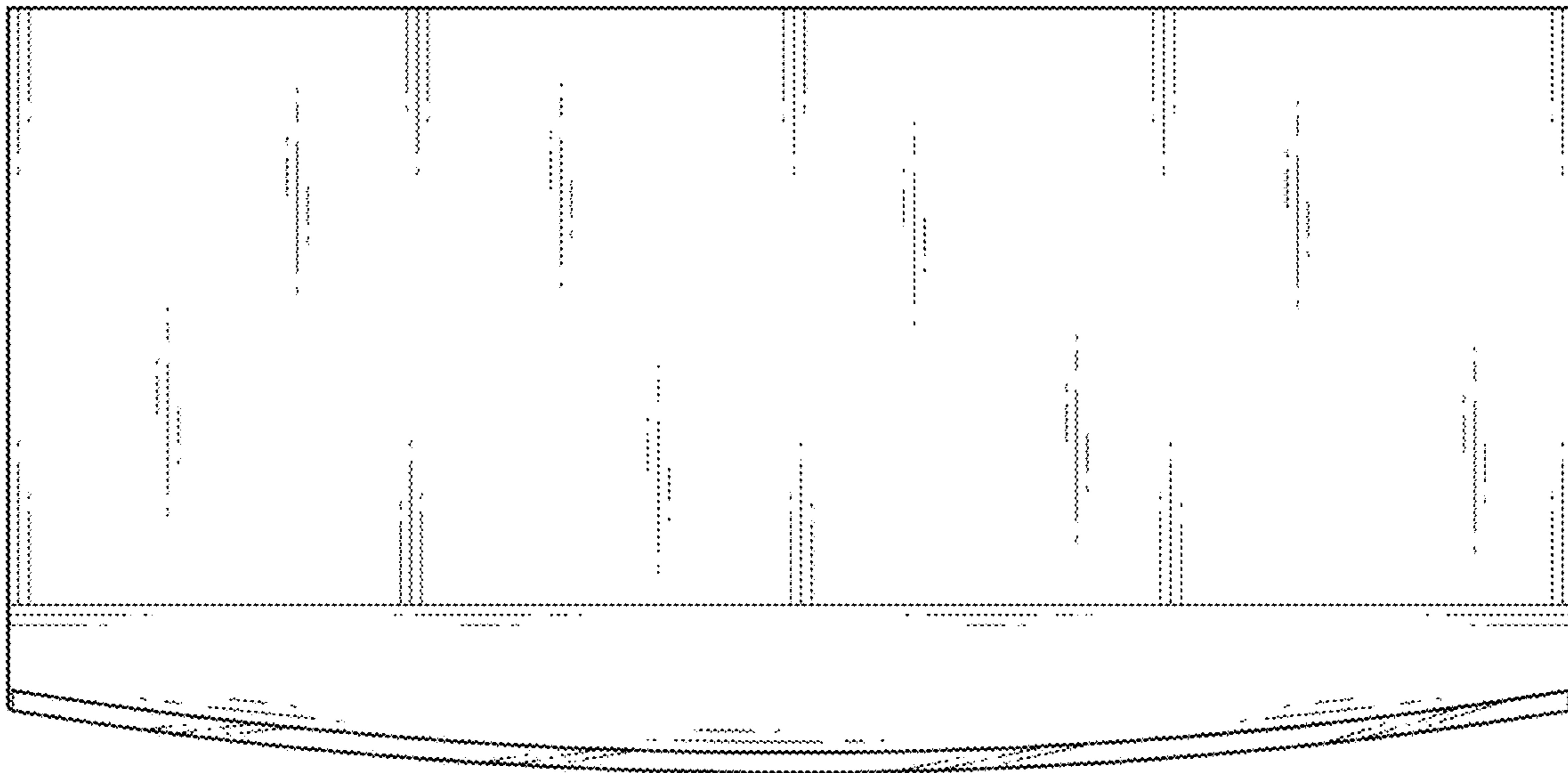
1.4



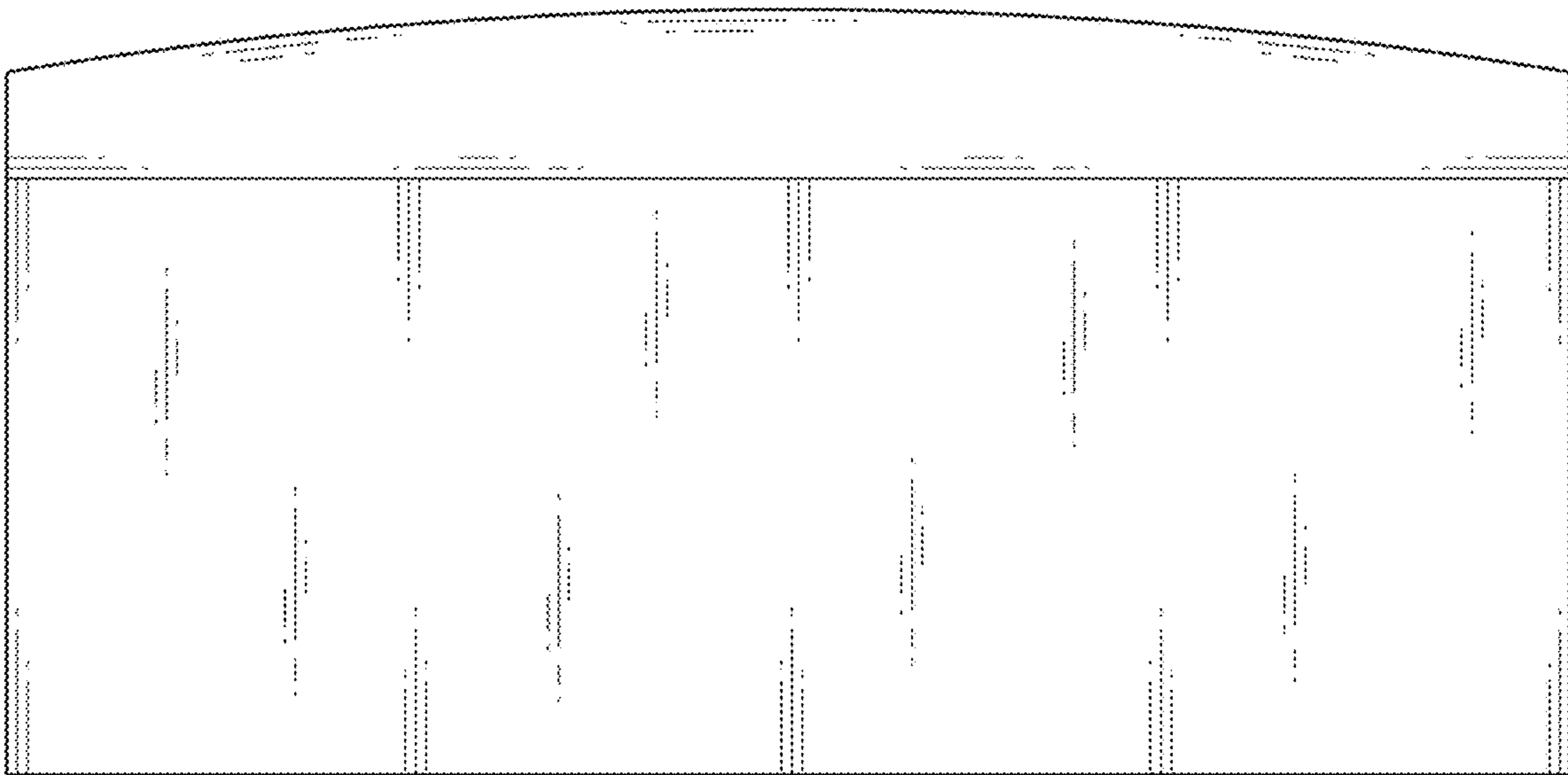
1.5



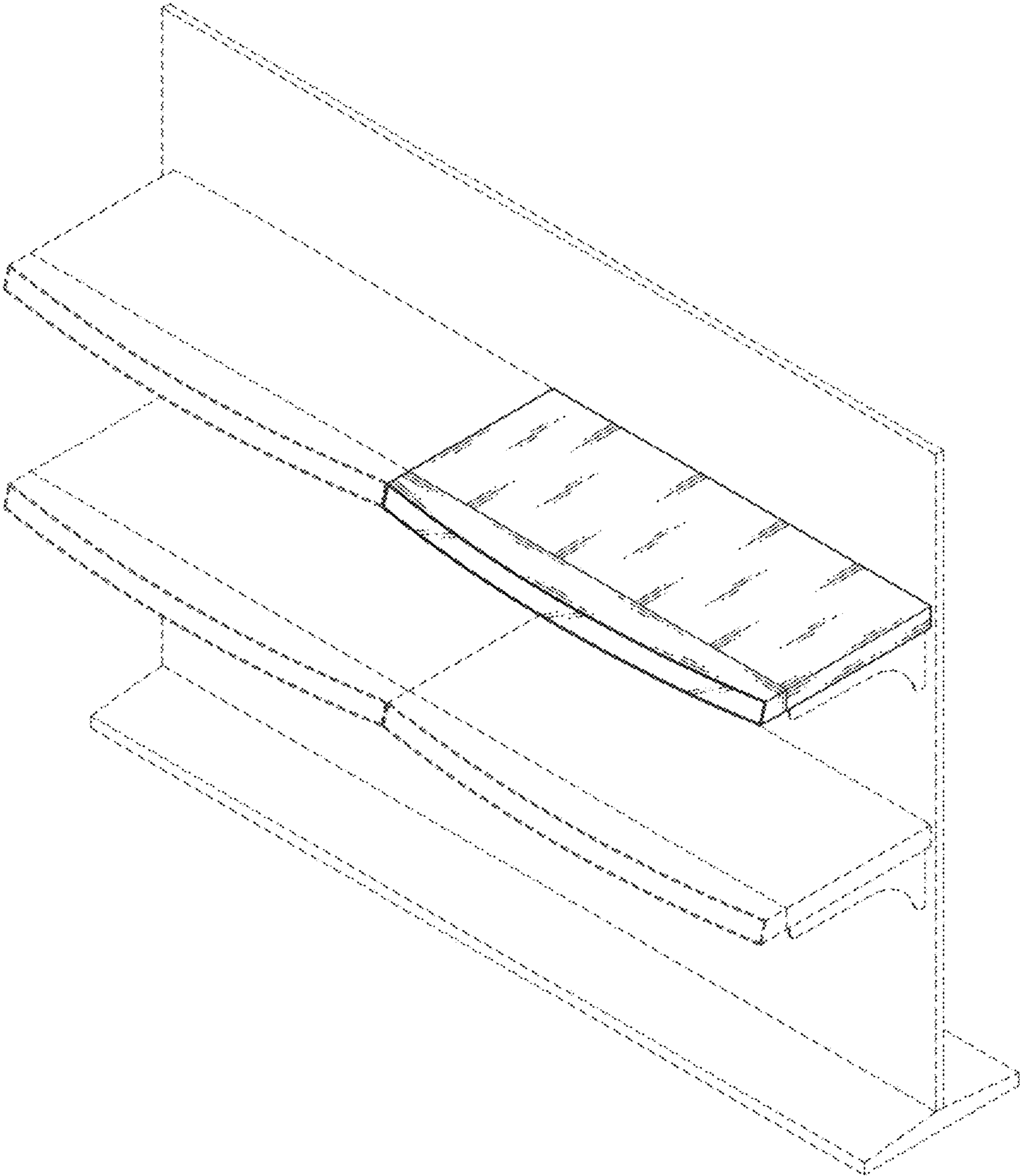
1.6



1.7



1.8



1.9

