



US00D811138S

(12) **United States Design Patent** (10) **Patent No.:** **US D811,138 S**
Lee et al. (45) **Date of Patent:** **** Feb. 27, 2018**

(54) **SHELF FOR DISPLAY RACK**

96/04; A47B 96/16; A47F 5/00; A47F 5/0043; A47F 7/00; A47F 7/007; G09F 13/22

(71) Applicant: **LG ELECTRONICS INC.**, Seoul (KR)

See application file for complete search history.

(72) Inventors: **Hophil Lee**, Seoul (KR); **Kyoungjoung Kim**, Seoul (KR); **Jaehoem Im**, Seoul (KR); **Jaewon Jeong**, Seoul (KR)

(56) **References Cited**

U.S. PATENT DOCUMENTS

2,366,677 A * 1/1945 Rosenthal A47B 47/042
108/180
D640,076 S * 6/2011 Hamilton A47B 21/00
D6/656.19
D644,452 S * 9/2011 Naples D6/675.1
D710,637 S * 8/2014 Helser D6/705.1
D796,239 S * 9/2017 Thien-Schoenhofen D6/574

(73) Assignee: **LG Electronics Inc.**, Seoul (KR)

(**) Term: **15 Years**

(21) Appl. No.: **35/502,128**

* cited by examiner

(22) Filed: **Jun. 20, 2016**

(80) **Hague Agreement Data**

Primary Examiner — Mary Ann Calabrese

Int. Filing Date: **Jun. 20, 2016**

(74) *Attorney, Agent, or Firm* — Birch, Stewart, Kolasch & Birch, LLP

Int. Reg. No.: **DM/091380**

Int. Reg. Date: **Jun. 20, 2016**

Int. Reg. Pub. Date: **Dec. 23, 2016**

(57) **CLAIM**

The ornamental design for a shelf for display rack, as shown and described.

(30) **Foreign Application Priority Data**

DESCRIPTION

Dec. 23, 2015 (KR) 30-2015-0065955

(51) **LOC (11) Cl.** **06-04**

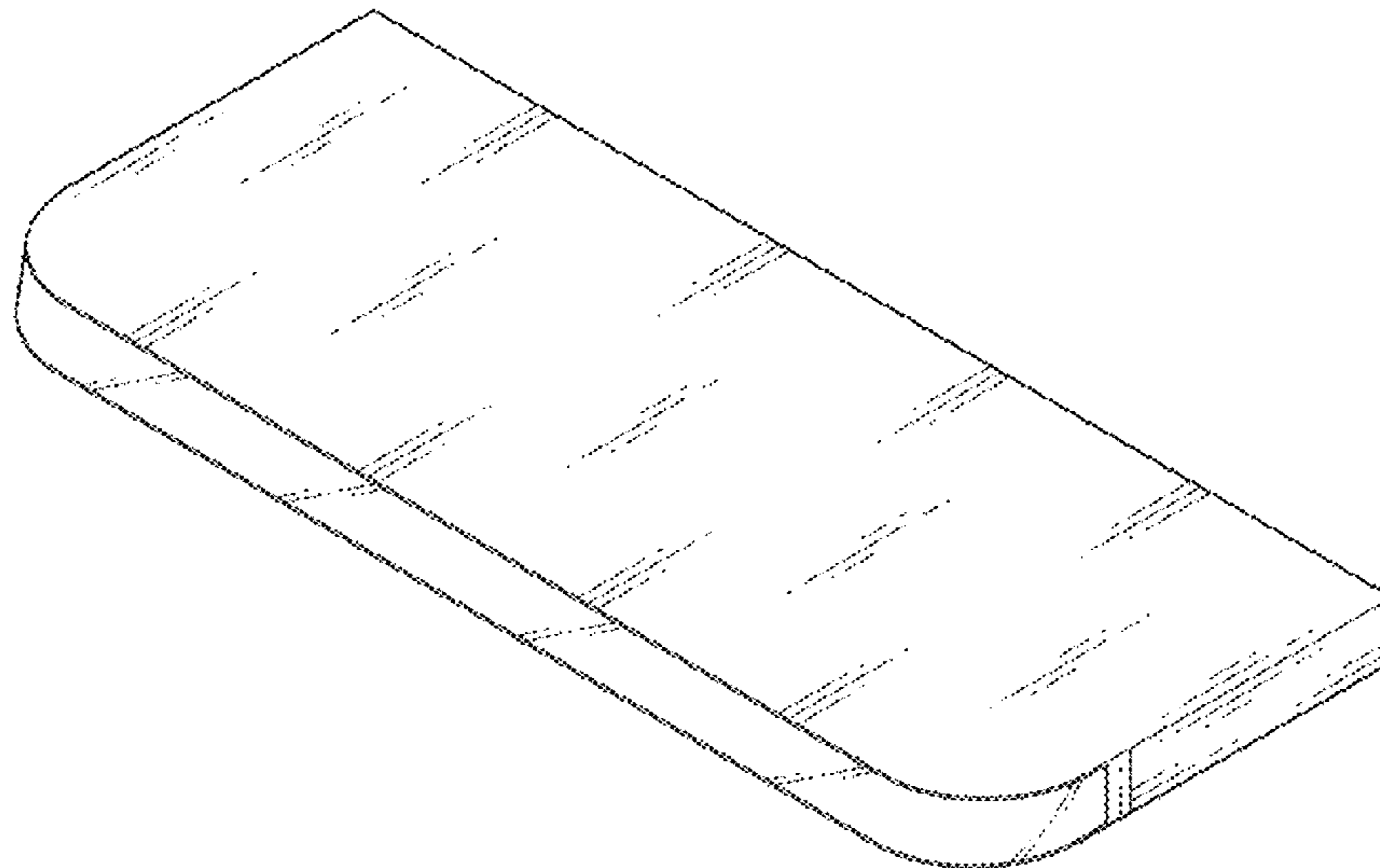
(52) **U.S. Cl.**
USPC **D6/705**

(58) **Field of Classification Search**
USPC ... D6/522, 574, 672-675, 675.1, 678.2, 702, D6/703.1, 705, 705.1, 705.2, 707, 707.19, D6/707.22, 707.23; D26/76

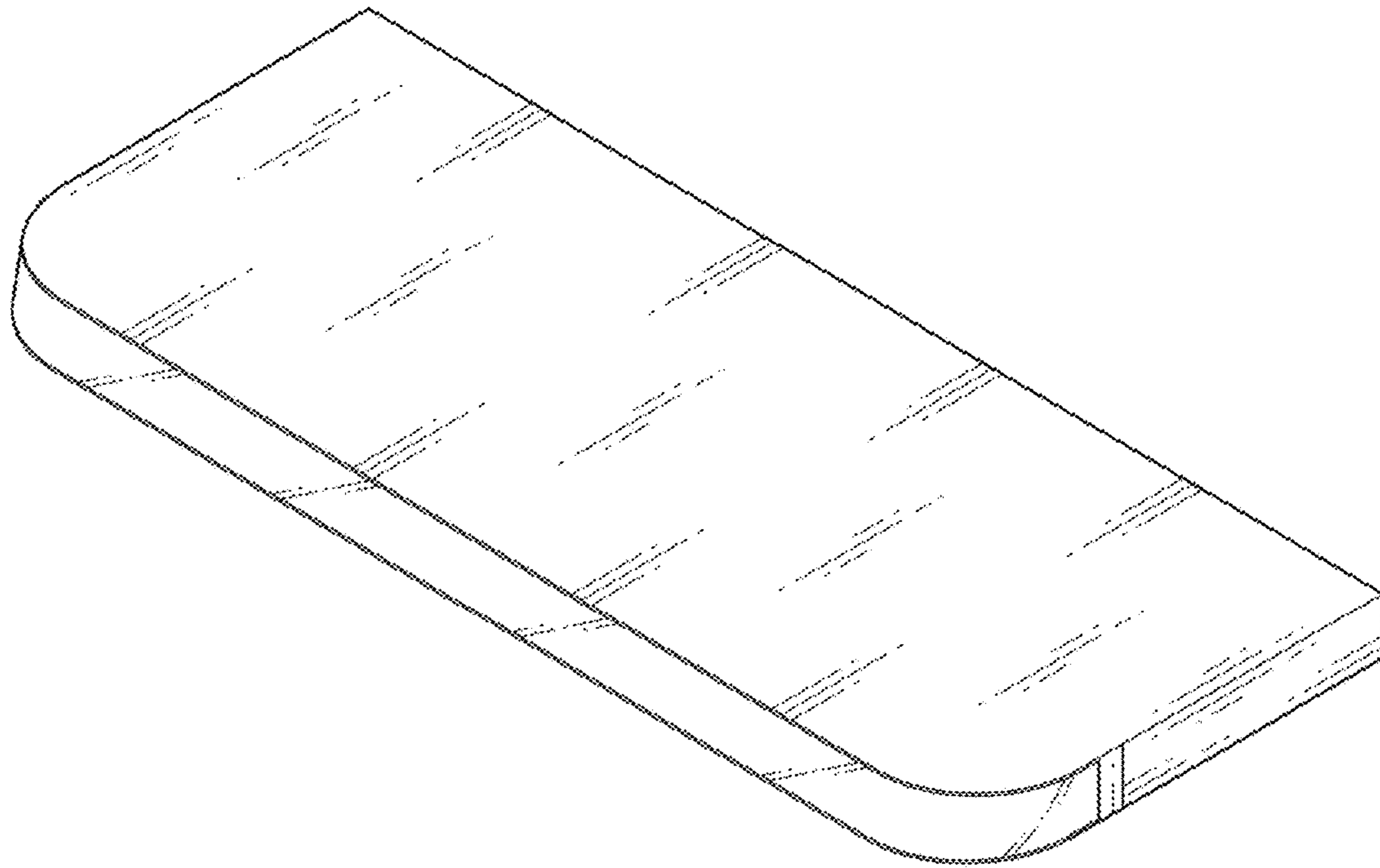
1. Shelf for display rack
1.1 is a perspective view.
1.2 is a front view.
1.3 is a rear view.
1.4 is a left side view.
1.5 is a right side view.
1.6 is a top view.
1.7 is a bottom view.
1.8 is a perspective view shown in use.
In the drawings, the broken lines illustrates environment and forms no part of the claimed design.

CPC A47B 47/00; A47B 47/021; A47B 47/022; A47B 47/04; A47B 47/03; A47B 55/00; A47B 57/045; A47B 57/26; A47B 96/02; A47B 96/027; A47B 96/028; A47B

1 Claim, 8 Drawing Sheets



1.1



1.2



1.3



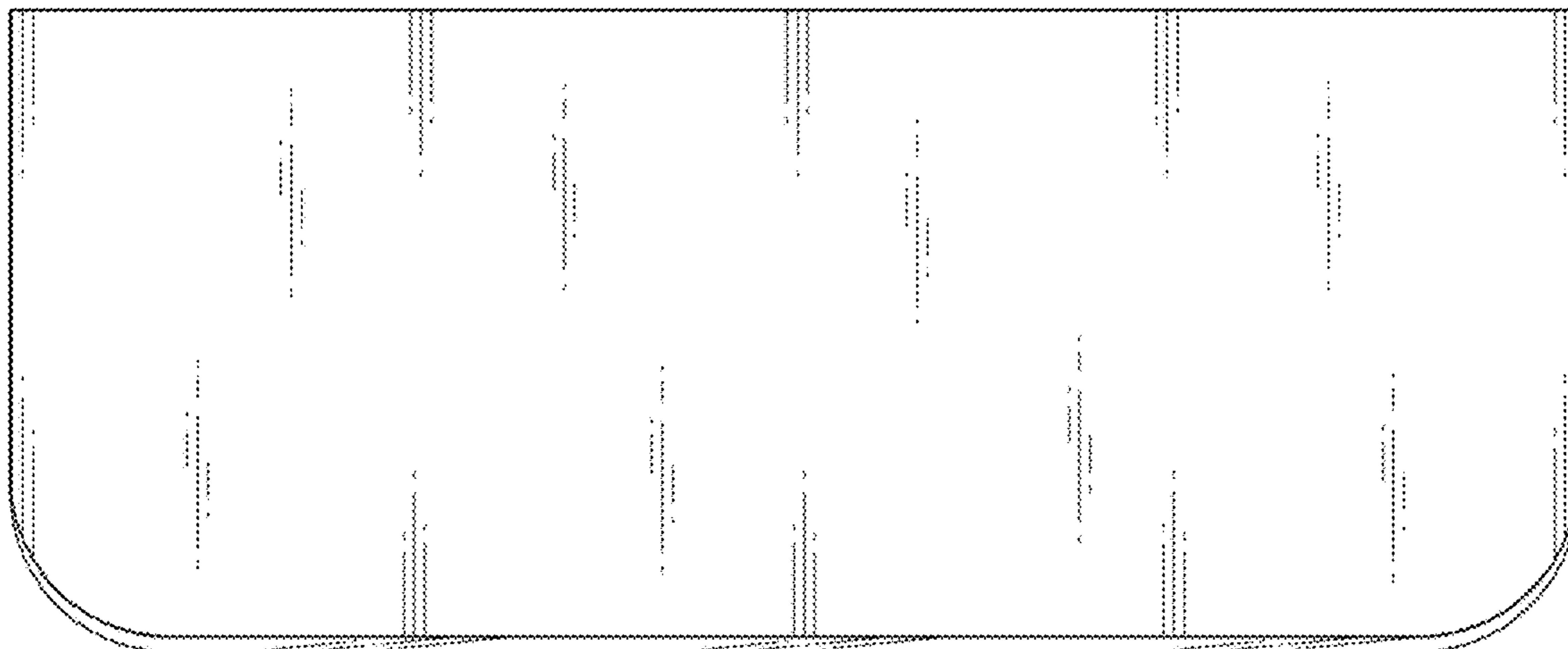
1.4



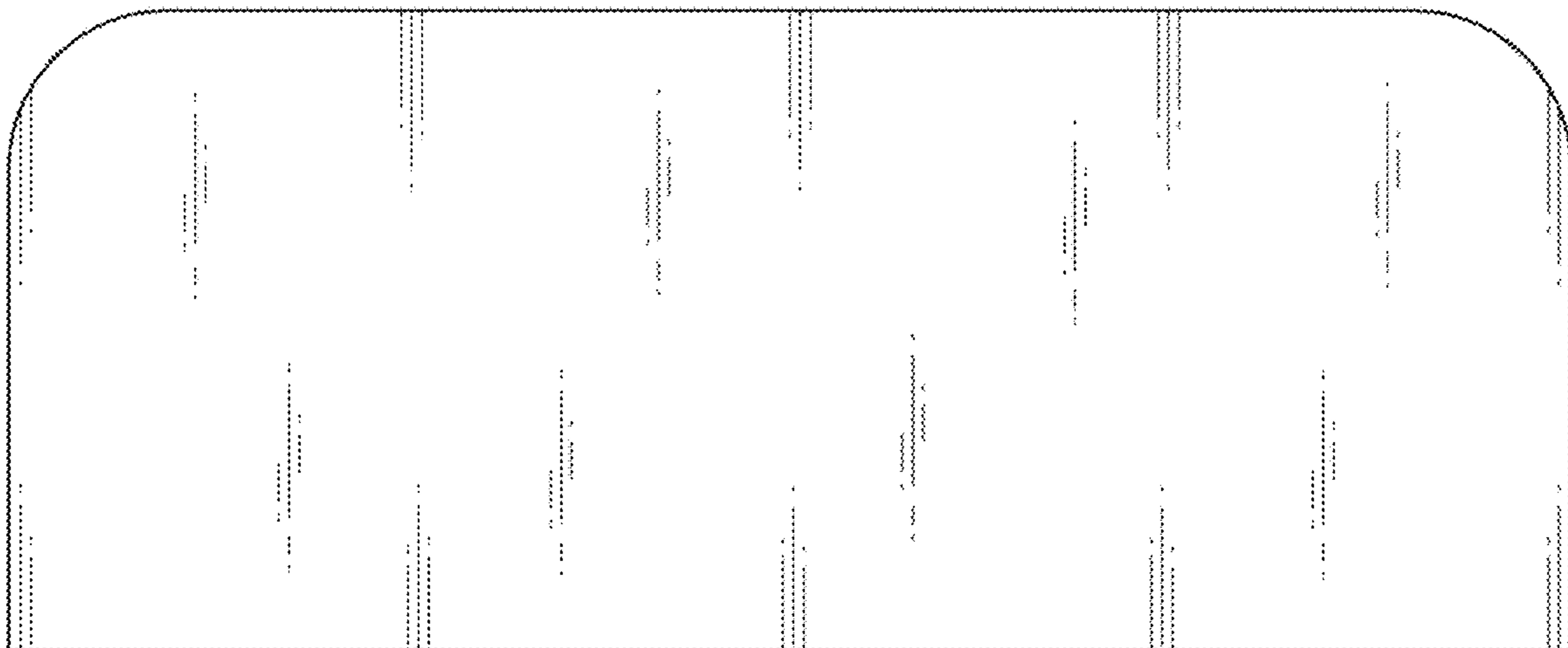
1.5



1.6



1.7



1.8

