



US00D811135S

(12) **United States Design Patent** (10) **Patent No.:** **US D811,135 S**  
**Malik et al.** (45) **Date of Patent:** **\*\* Feb. 27, 2018**

(54) **CAROUSEL SHOE RACK**  
(71) Applicant: **Vijay Malik**, Kansas City, MO (US)  
(72) Inventors: **Vijay Malik**, Kansas City, MO (US);  
**Drake Koch**, Kansas City, MO (US)  
(73) Assignee: **Vijay Malik**, Kansas City, MO (US)  
(\*\*) Term: **15 Years**  
(21) Appl. No.: **29/591,975**  
(22) Filed: **Jan. 25, 2017**  
(51) **LOC (11) Cl.** ..... **06-06**  
(52) **U.S. Cl.**  
USPC ..... **D6/677.2**  
(58) **Field of Classification Search**  
USPC ... D6/315, 317, 329, 673, 675, 675.1-675.4,  
D6/678.4, 680.2, 680.3, 702; D7/501,  
D7/600.1  
CPC ..... A47B 47/02; A47B 47/021; A47B 49/00;  
A47B 61/04; A47F 5/02; A47F 5/00;  
A47F 5/0006; A47F 5/0062  
See application file for complete search history.

D314,294 S \* 2/1991 Axhamre ..... D6/677.2  
D365,237 S \* 12/1995 Stirling ..... D6/552  
D527,205 S \* 8/2006 Axhamre ..... D6/677.2  
D651,023 S \* 12/2011 Sparkowski ..... D6/680  
D781,660 S \* 3/2017 Chen ..... D7/600.4  
D784,086 S \* 4/2017 Rodriguez ..... D6/677.2  
2011/0253711 A1\* 10/2011 Hertaus ..... A47F 5/01  
220/4.27

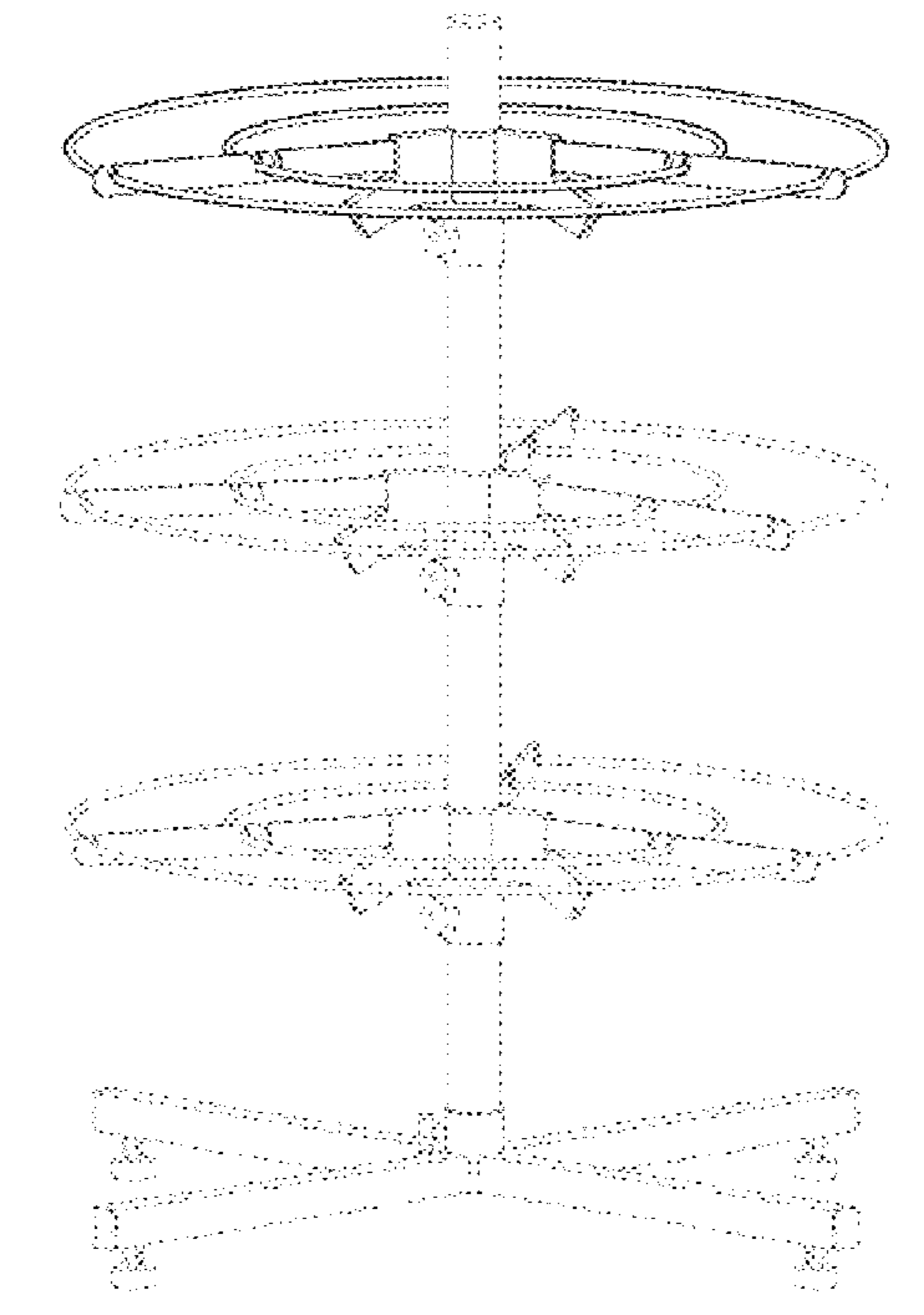
\* cited by examiner  
*Primary Examiner* — Kelley Donnelly  
(74) *Attorney, Agent, or Firm* — Erickson Kernell IP,  
LLC

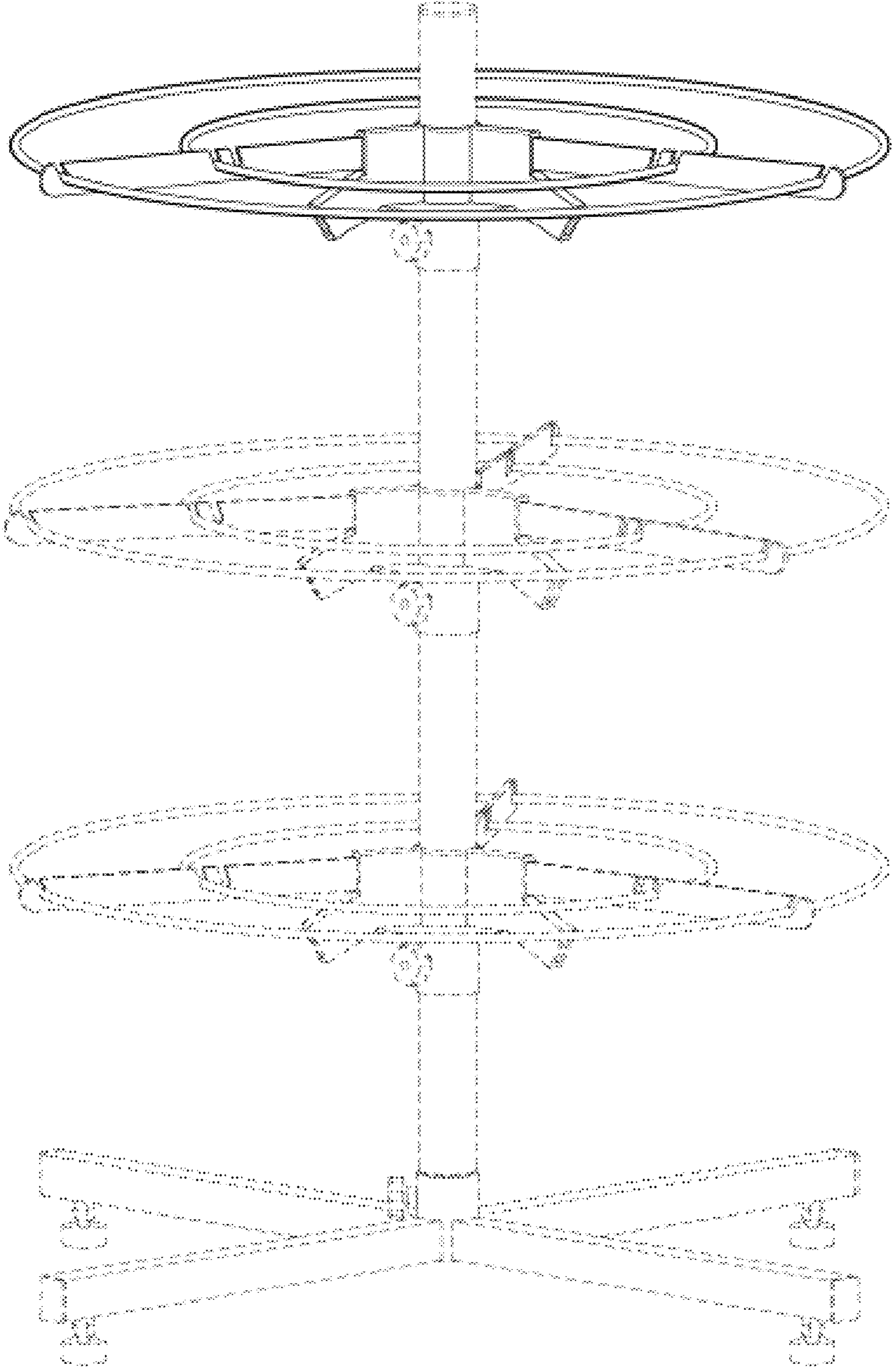
(57) **CLAIM**  
The ornamental design for a carousel shoe rack, as shown  
and described.

**DESCRIPTION**  
FIG. 1 is a perspective view of an ornament design for a  
carousel shoe rack in a flat configuration;  
FIG. 2 is a first side view thereof;  
FIG. 3 is a second side view thereof;  
FIG. 4 is a third side view thereof;  
FIG. 5 is a top view thereof;  
FIG. 6 is a bottom view thereof;  
FIG. 7 is a perspective view of the ornament design for a  
carousel shoe rack in a conical configuration;  
FIG. 8 is a first side view thereof;  
FIG. 9 is a second side view thereof;  
FIG. 10 is a third side view thereof;  
FIG. 11 is a top view thereof; and,  
FIG. 12 is a bottom view thereof.  
The broken lines in FIGS. 1 and 7 are for illustrative  
purposes only and form no part of the design.

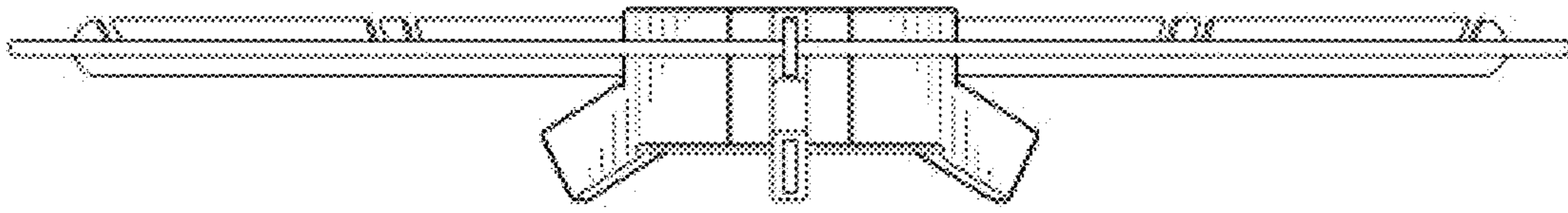
(56) **References Cited**  
**U.S. PATENT DOCUMENTS**  
D90,902 S \* 10/1933 Weeks ..... D6/677.2  
D182,356 S \* 3/1958 Cohen ..... D6/677.2  
D191,812 S \* 11/1961 Tirllet ..... 211/128.1  
D239,579 S \* 4/1976 Taub ..... D6/680.3  
D240,101 S \* 6/1976 Redler ..... D6/677.2  
D240,102 S \* 6/1976 Redler ..... D6/677.2  
4,250,664 A \* 2/1981 Remke ..... A01G 23/04  
206/423

**1 Claim, 8 Drawing Sheets**

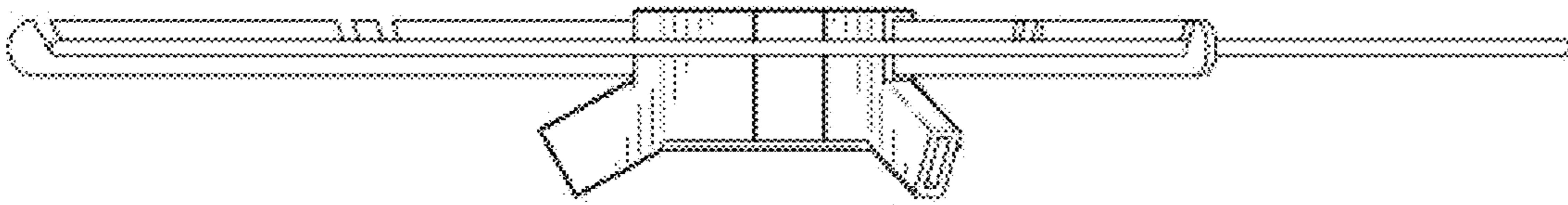




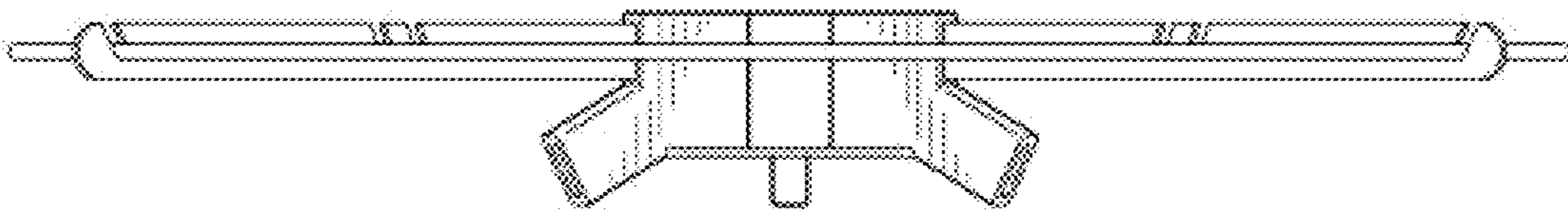
*Fig. 1*



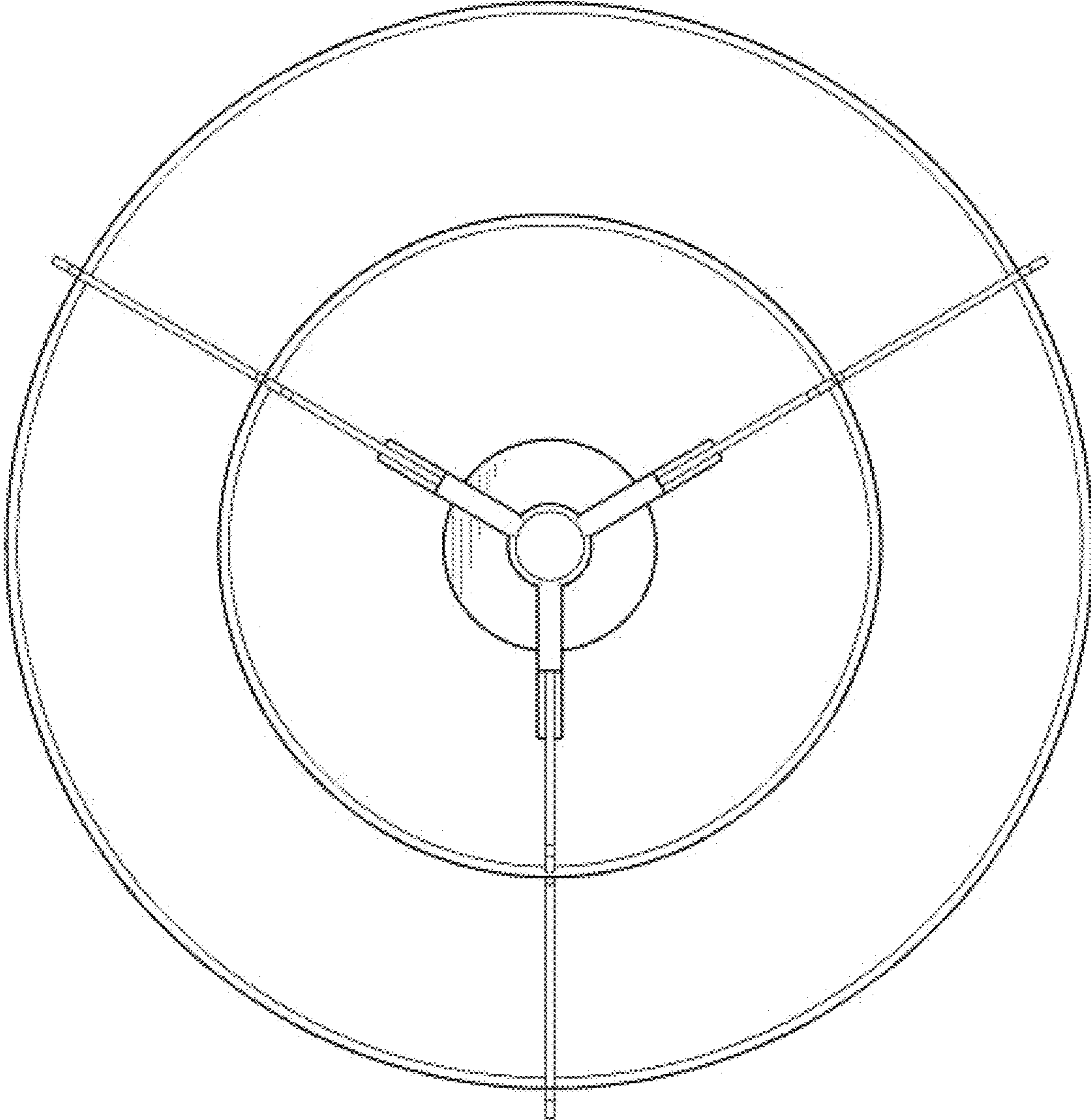
*Fig. 2*



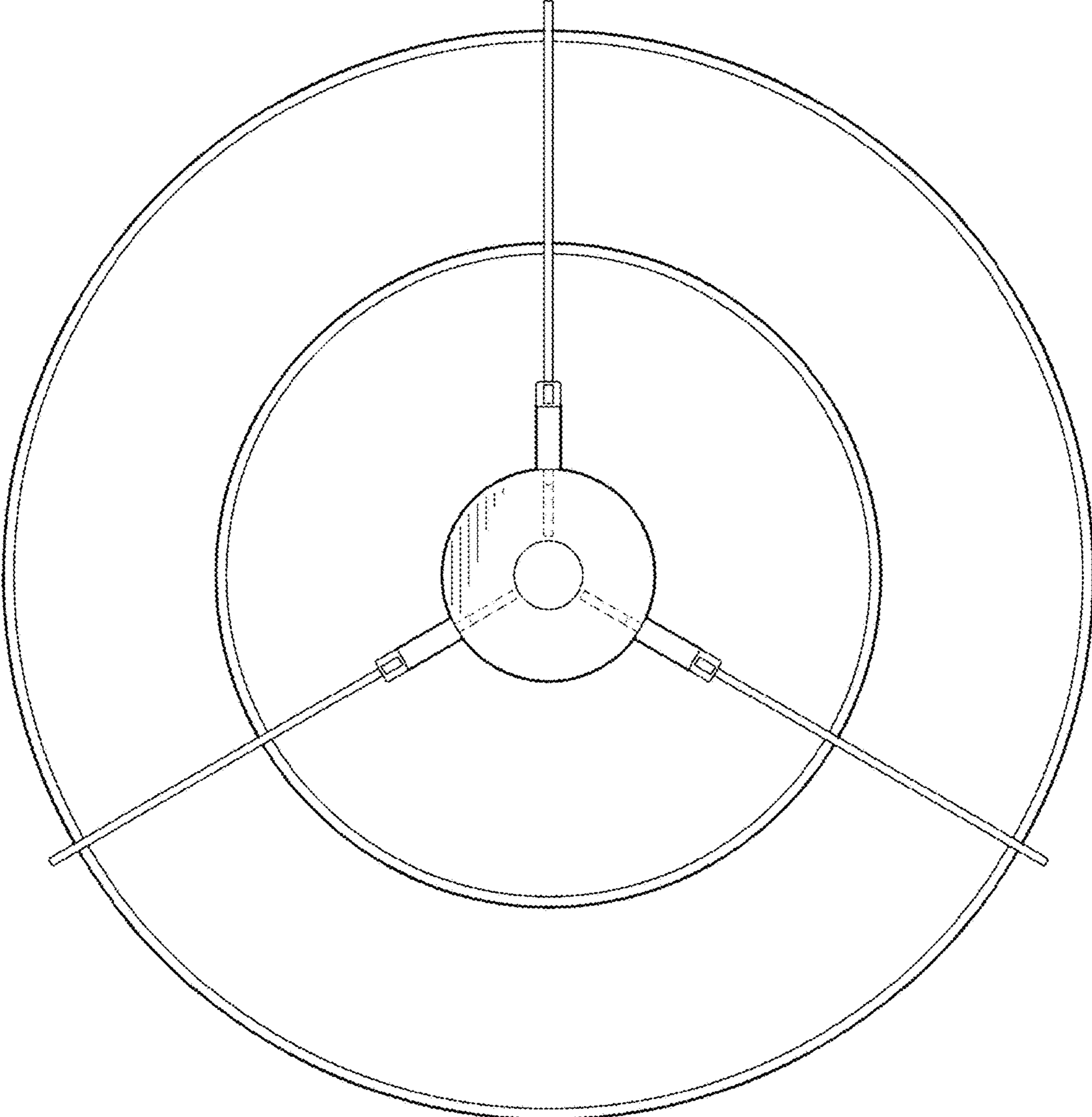
*Fig. 3*



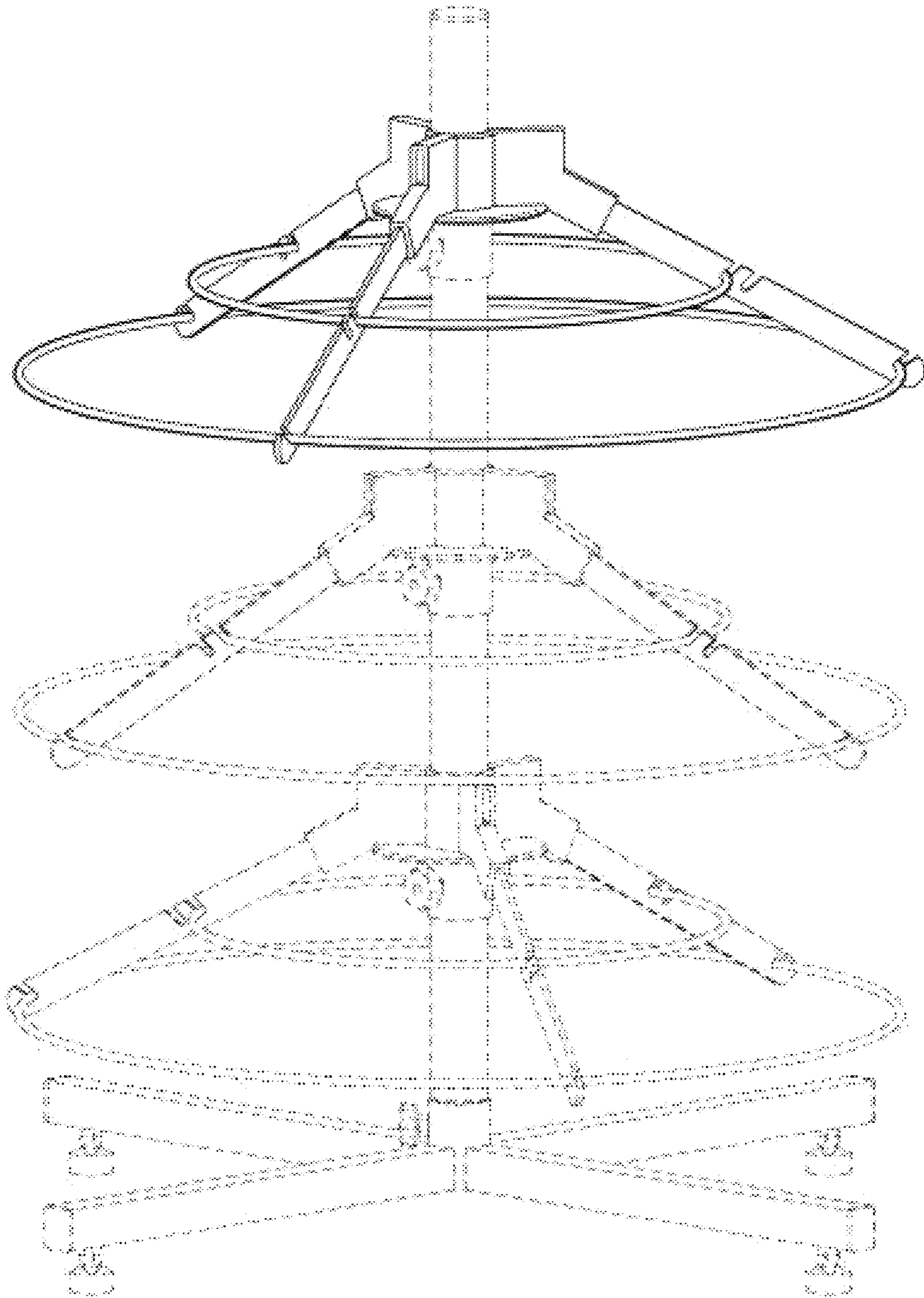
*Fig. 4*



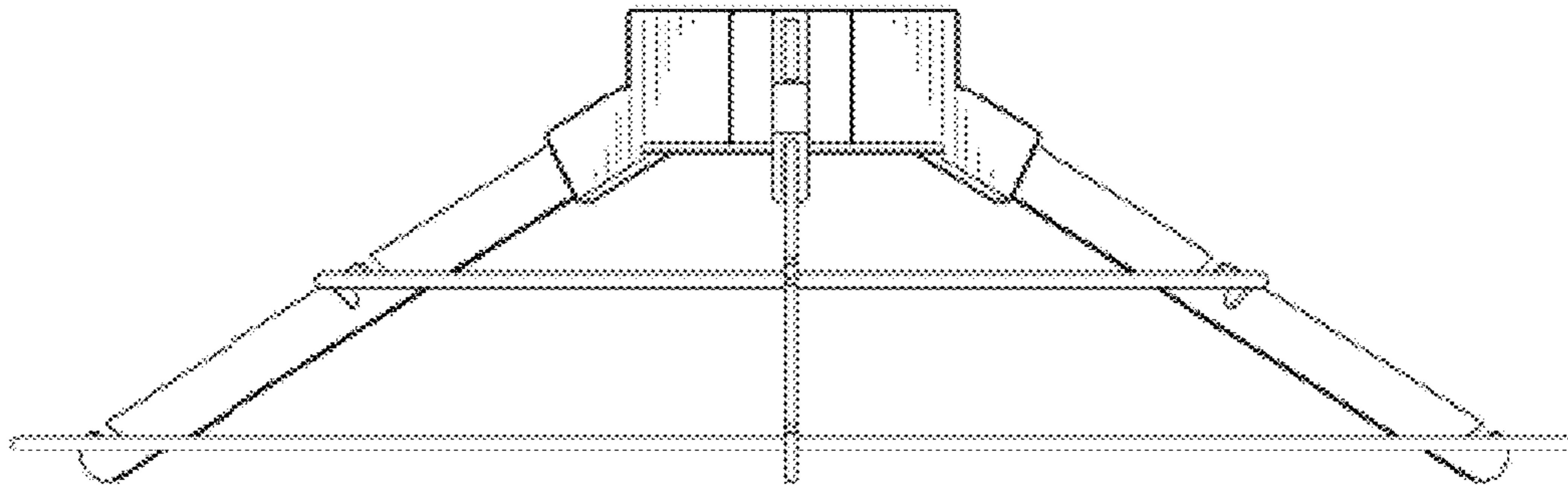
*Fig. 5*



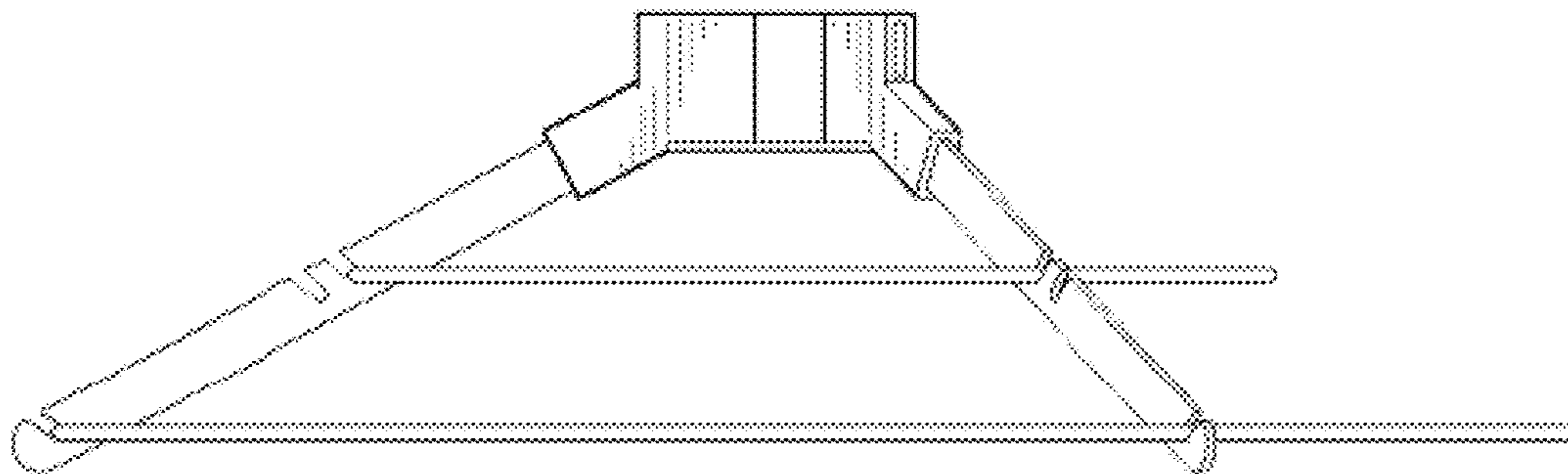
*Fig. 6*



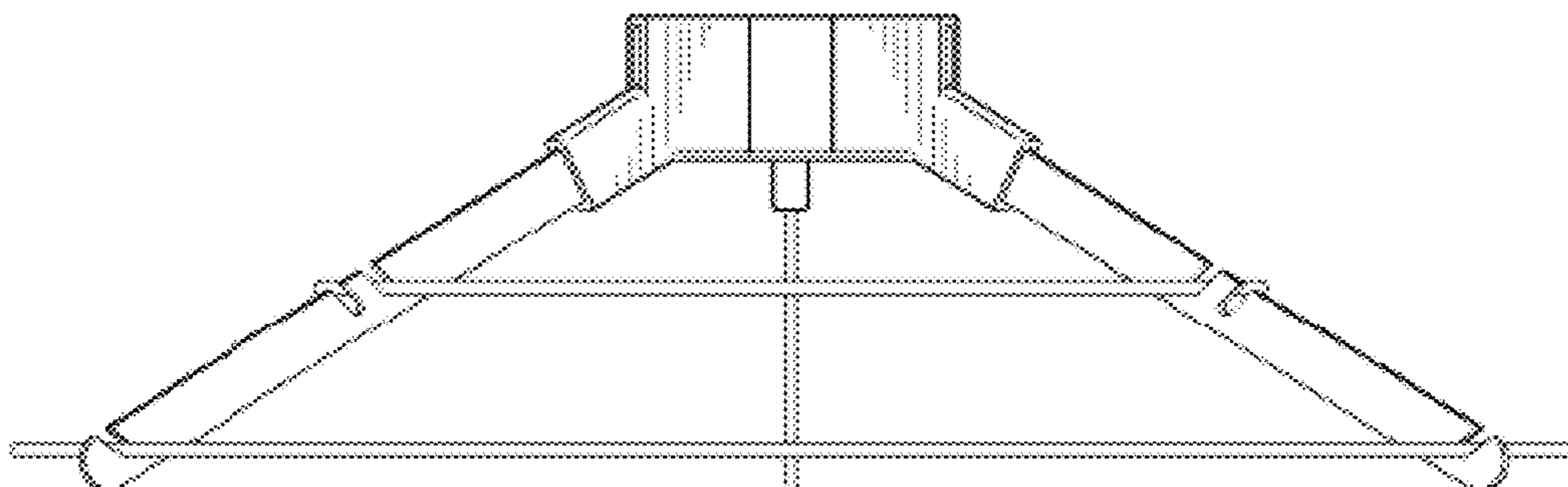
*Fig. 7*



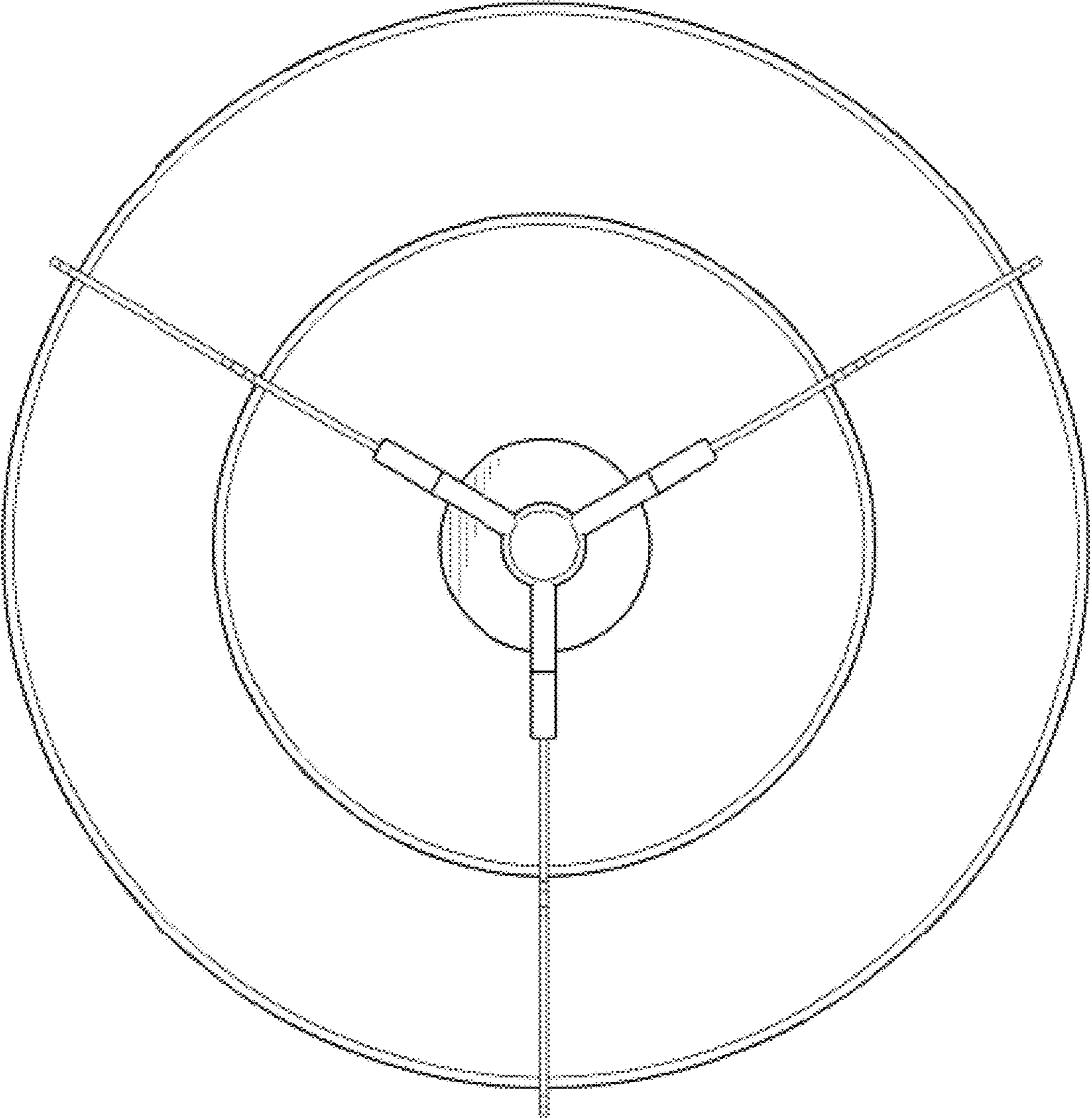
*Fig. 8*



*Fig. 9*

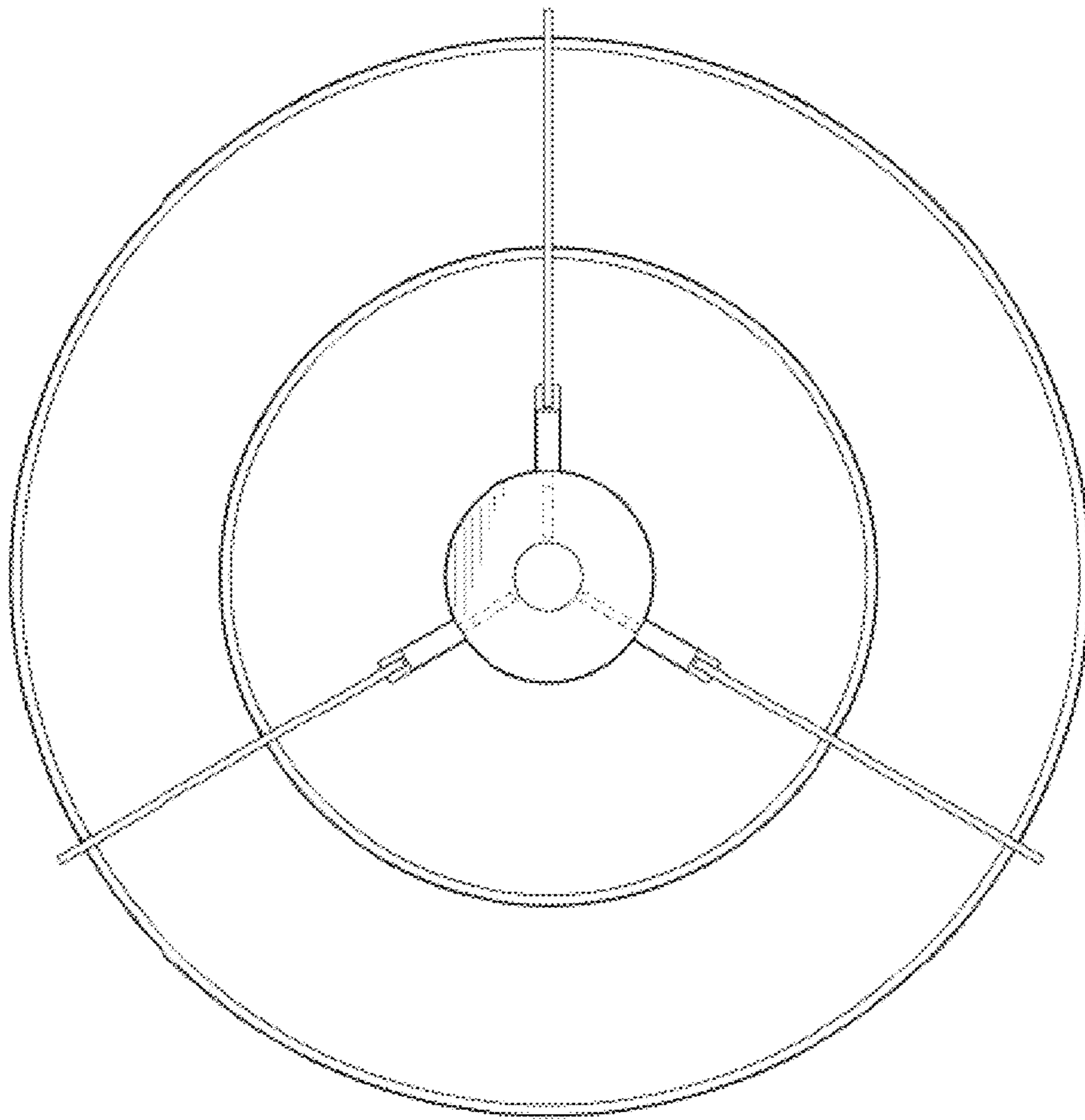


*Fig. 10*



*Fig. 11*





*Fig. 12*