



US00D811133S

(12) **United States Design Patent**
Tsuchiyama

(10) **Patent No.:** **US D811,133 S**
(45) **Date of Patent:** **** Feb. 27, 2018**

- (54) **WIRING STORAGE FURNITURE**
- (71) Applicant: **Okamura Corporation**, Yokohama-shi, Kanagawa (JP)
- (72) Inventor: **Waku Tsuchiyama**, Yokohama (JP)
- (73) Assignee: **Okamura Corporation**, Yokohama-shi, Kanagawa (JP)

D427,191 S *	6/2000	Hashizume	D14/308
D553,879 S *	10/2007	Juneau	D6/671
D693,153 S *	11/2013	Kwok	D6/661
D732,318 S *	6/2015	Engbretson	D6/657
D741,094 S *	10/2015	Martell	D6/702
D787,239 S *	5/2017	Denby	D6/657
D796,234 S *	9/2017	Thaler	D6/675
D799,861 S *	10/2017	Krusin	D6/671.1
D802,658 S *	11/2017	Takino	D18/56
2016/0255957 A1 *	9/2016	Tsuchiyama	A47B 13/02

- (**) Term: **15 Years**
- (21) Appl. No.: **29/598,476**
- (22) Filed: **Mar. 27, 2017**

* cited by examiner

Primary Examiner — Kelley Donnelly
(74) *Attorney, Agent, or Firm* — Sughrue Mion, PLLC

(30) **Foreign Application Priority Data**

Sep. 30, 2016 (JP) 2016-021219

- (51) **LOC (11) Cl.** **06-06**
- (52) **U.S. Cl.**
USPC **D6/675**

(57) **CLAIM**

The ornamental design for a wiring storage furniture, as shown and described.

- (58) **Field of Classification Search**
USPC D3/273–274; D9/642, 759; D14/308;
D6/629, 657, 663–664, 672, 672.1, 675,
D6/675.1, 675.2, 682, 682.1, 682.2
CPC .. H02B 1/26; A47B 81/00; B25H 3/00; B25H
3/04; H05K 5/00
See application file for complete search history.

DESCRIPTION

FIG. 1 is a perspective view of a wiring storage furniture. FIG. 2 is a front elevation view thereof. A rear elevation view is identical to the front elevation view. FIG. 3 is a right side elevation view thereof. A left side elevation view is identical to the right side elevation view. FIG. 4 is a top plan view thereof. FIG. 5 is a bottom plan view thereof. FIG. 6 is an enlarged cross-sectional view taken along the line 6-6 in FIG. 2; and, FIG. 7 is a cross-sectional view taken along the line 7-7 in FIG. 2.

(56) **References Cited**

U.S. PATENT DOCUMENTS

- D165,536 S * 12/1951 Marshall D6/664
- D313,980 S * 1/1991 Ikeda D14/308

1 Claim, 7 Drawing Sheets

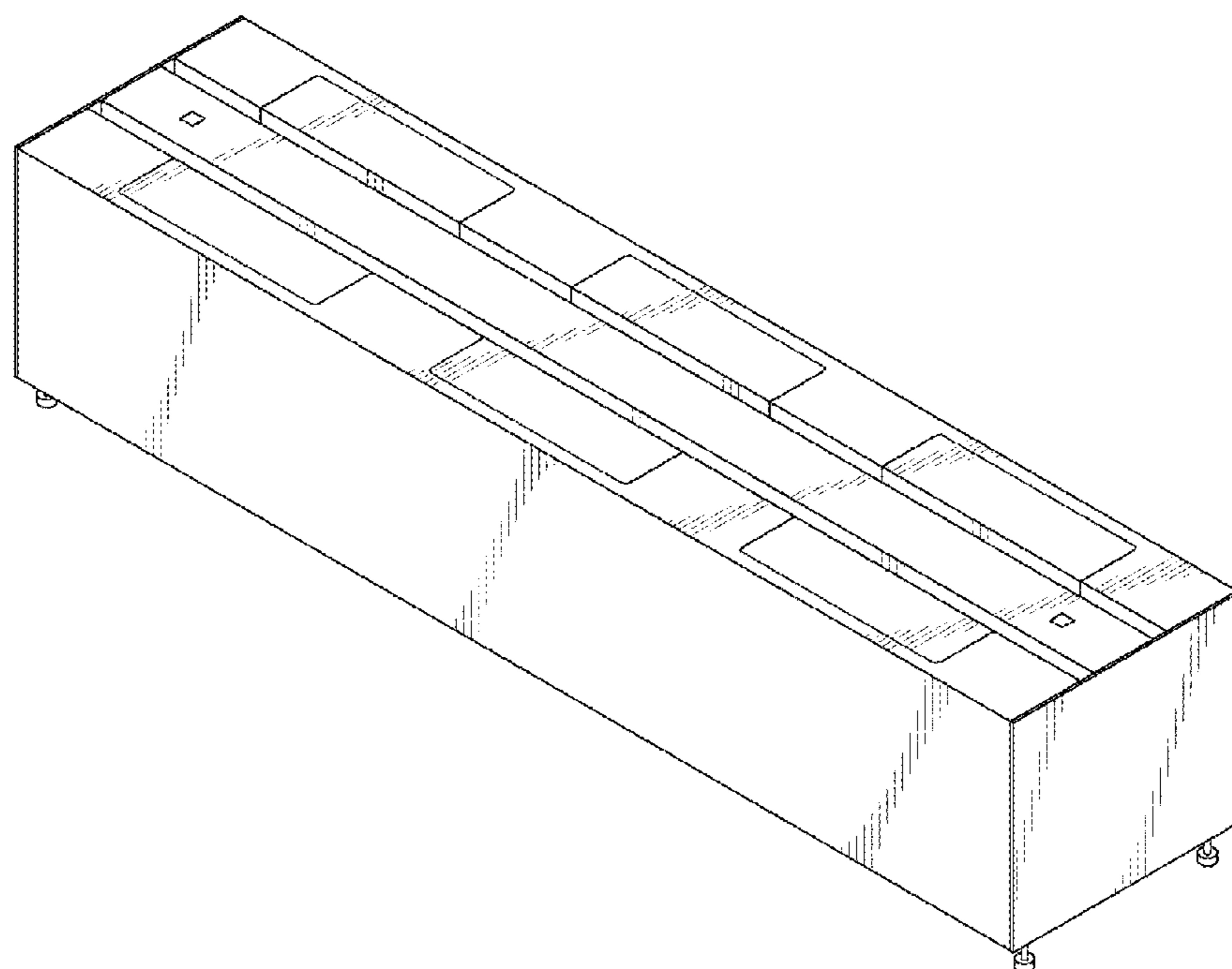


FIG. 1

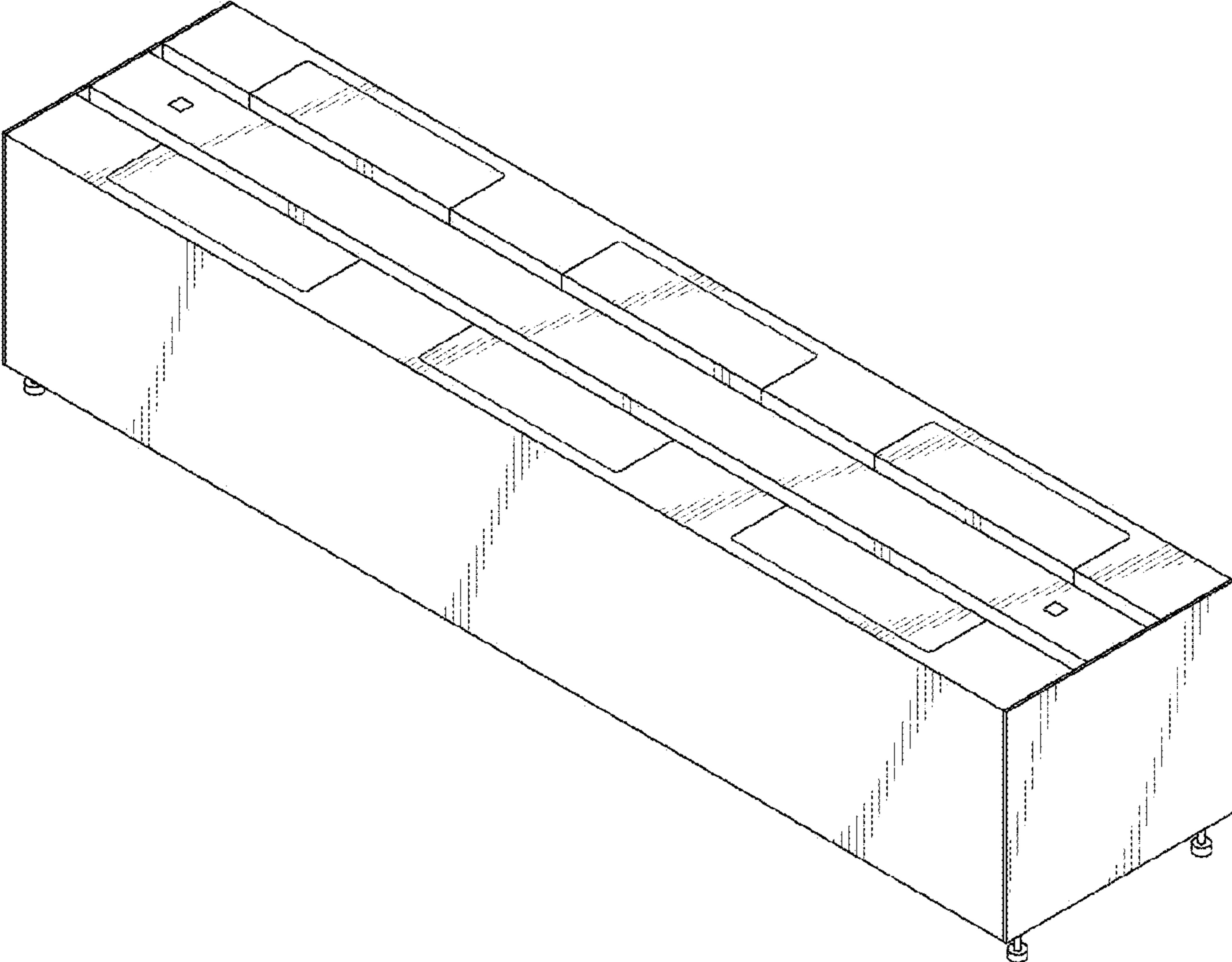


FIG. 2

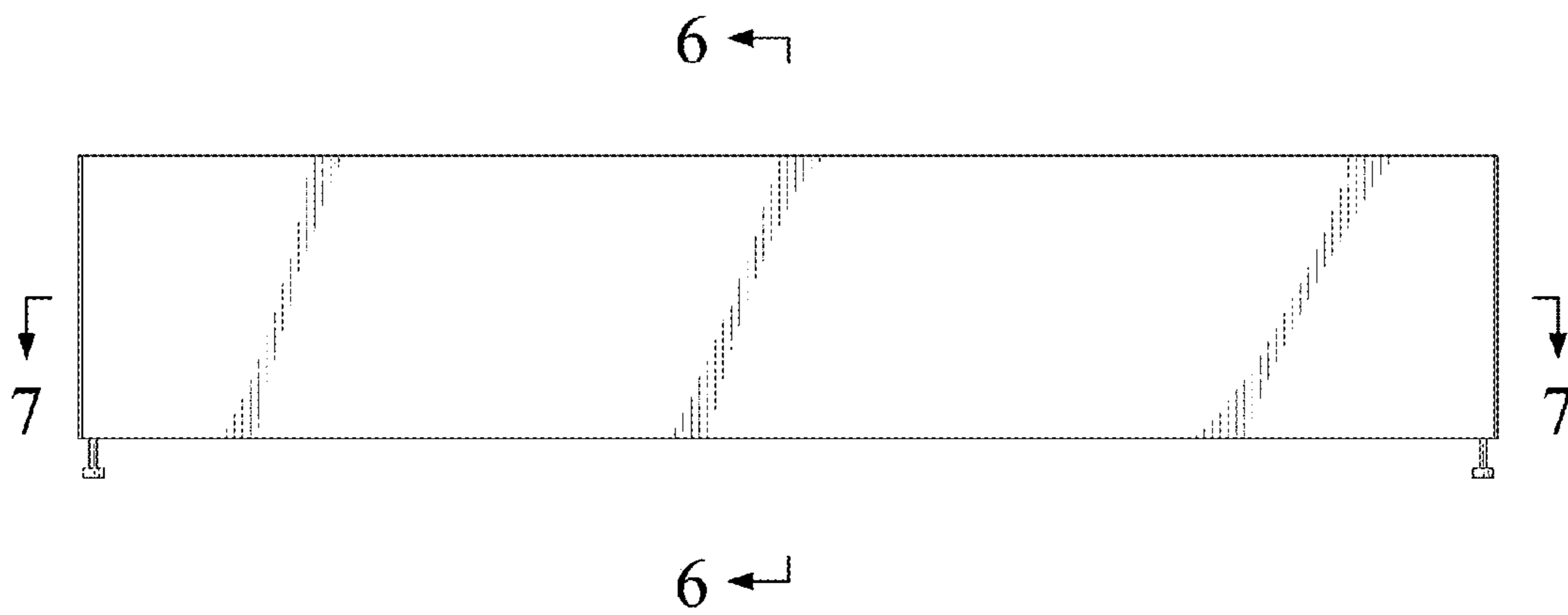


FIG. 3

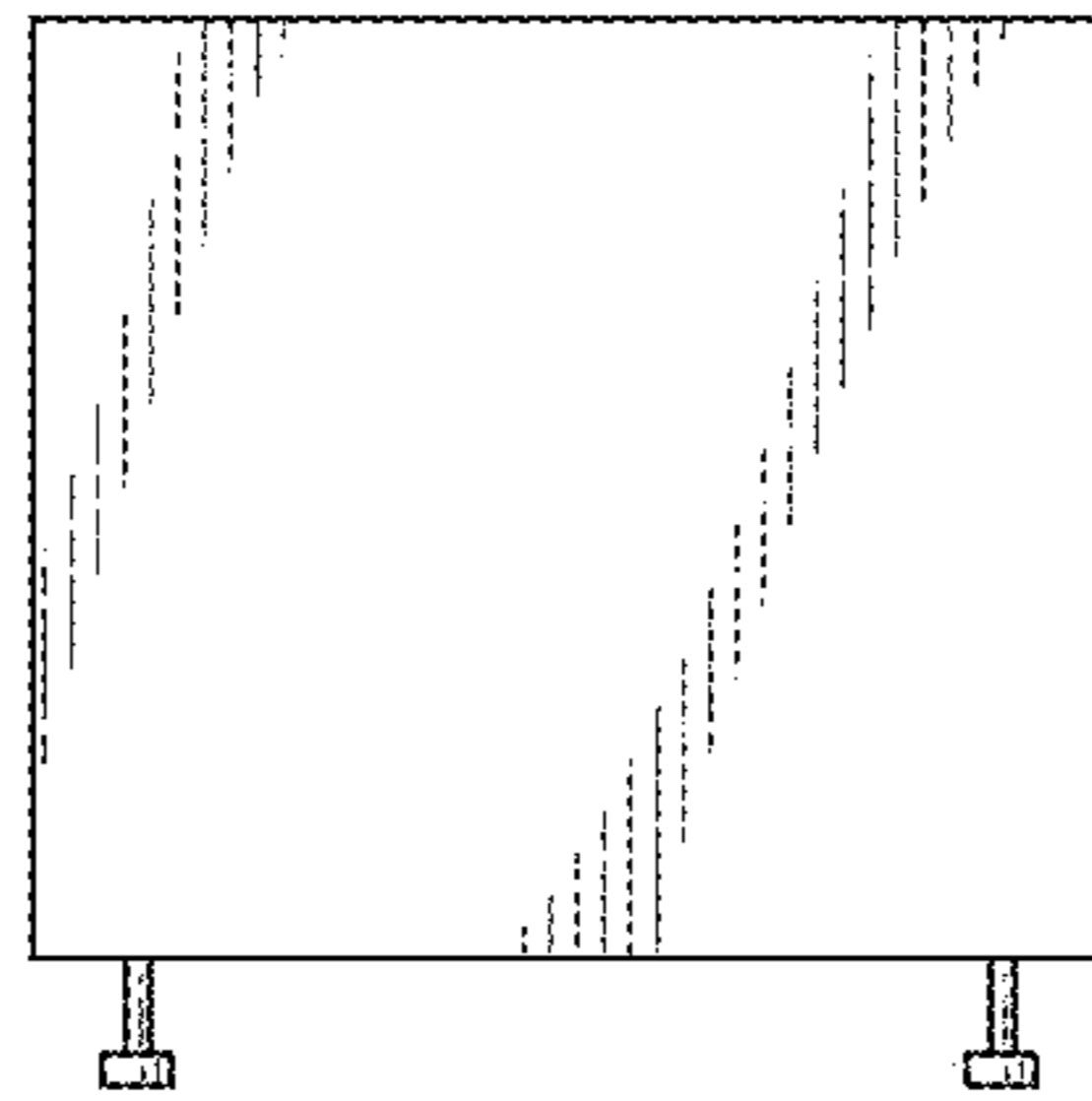


FIG. 4

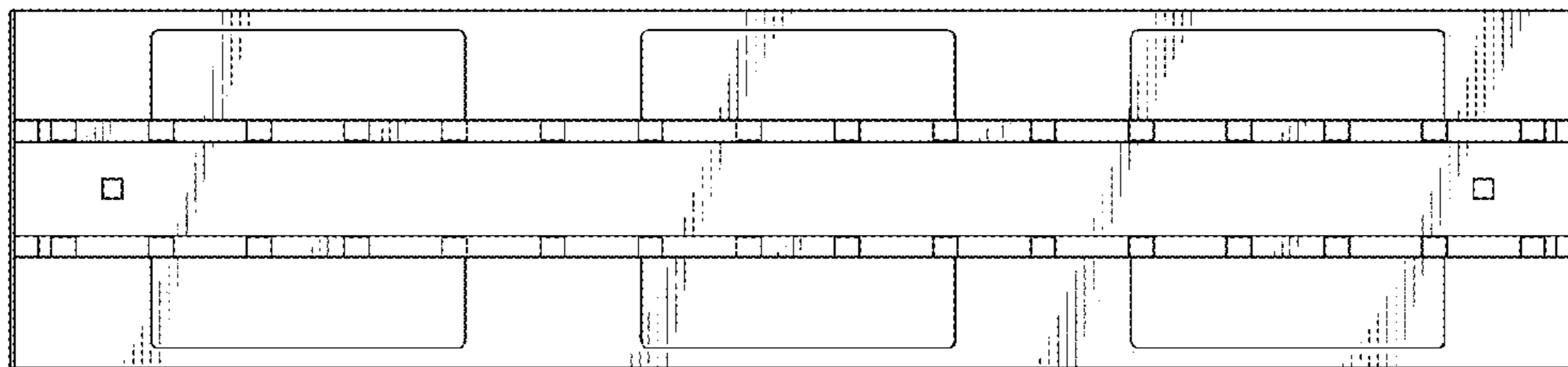


FIG. 5

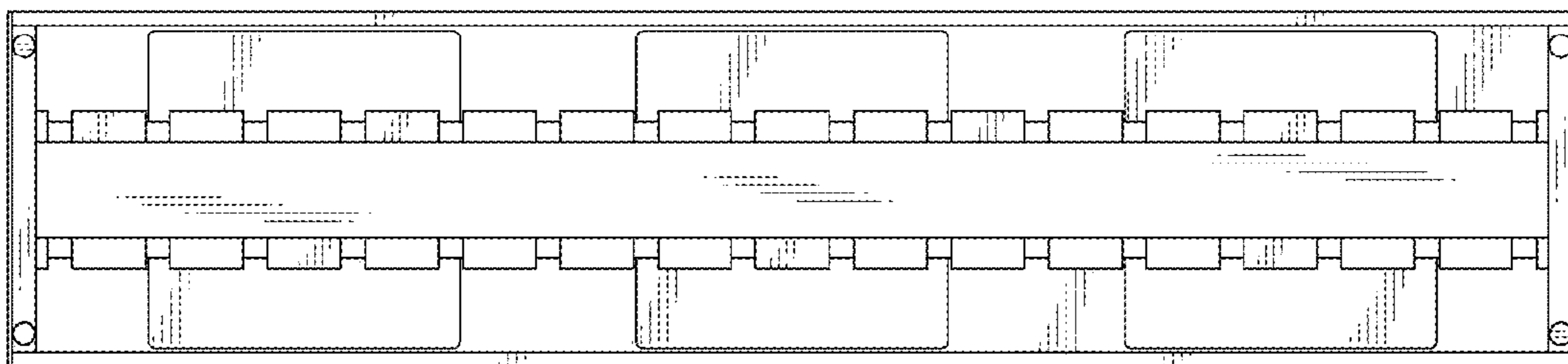


FIG. 6

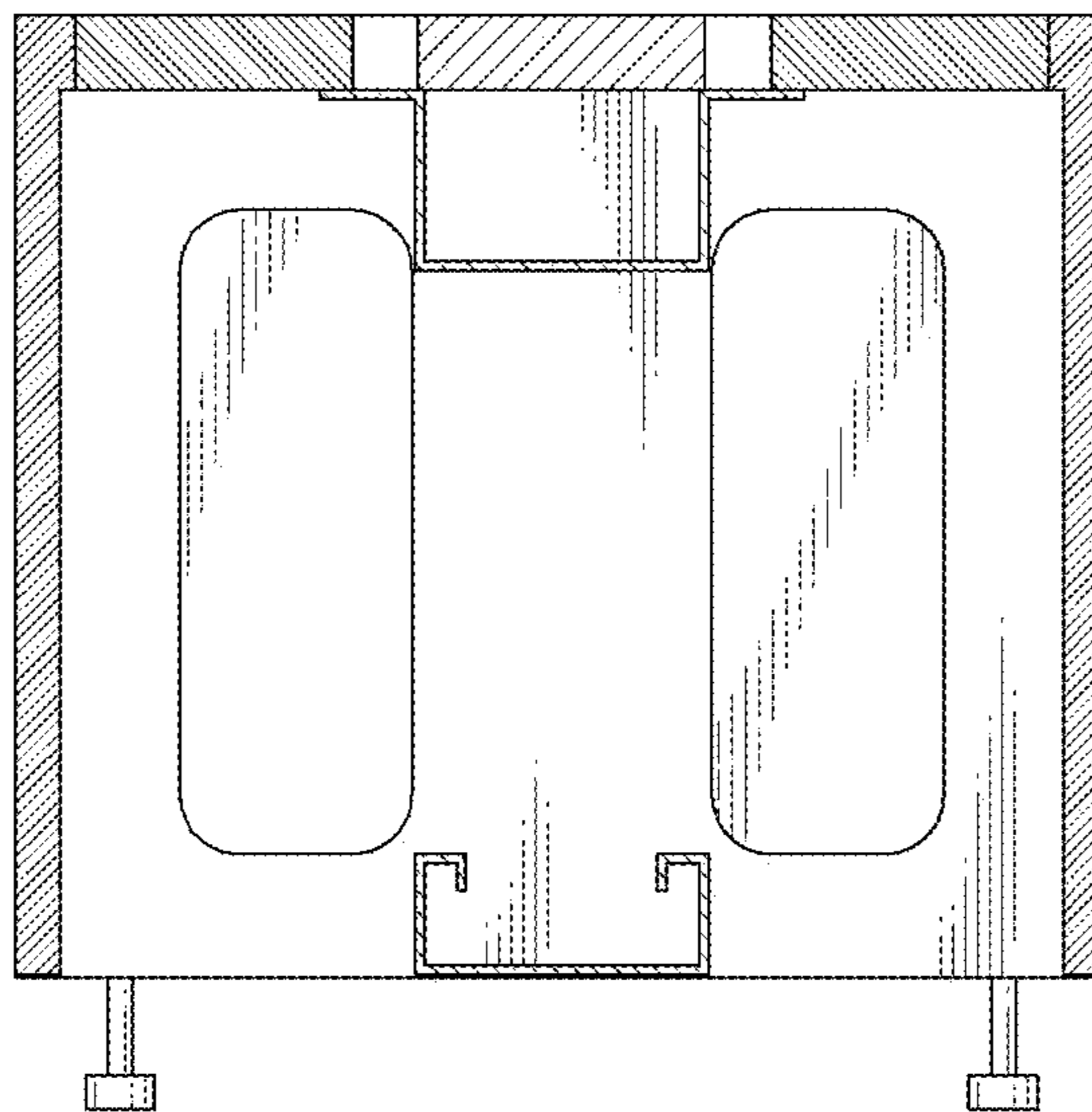


FIG. 7

