



US00D811131S

(12) **United States Design Patent**
Zfania

(10) **Patent No.:** **US D811,131 S**

(45) **Date of Patent:** **** Feb. 27, 2018**

(54) **SHELVES UNIT**

(71) Applicant: **Gavriel Zfania**, Kiryat Bialik (IL)

(72) Inventor: **Gavriel Zfania**, Kiryat Bialik (IL)

(**) Term: **15 Years**

(21) Appl. No.: **29/620,039**

(22) Filed: **Jun. 1, 2016**

(51) **LOC (11) Cl.** **06-04**

(52) **U.S. Cl.**

USPC **D6/669**

(58) **Field of Classification Search**

USPC D6/663, 666, 559-561, 699, 334-336,
D6/349, 351, 352, 358, 360, 364, 365,
D6/366, 374, 375, 379, 380, 611, 632,
D6/657, 662.1, 668.1, 668.2, 669, 671,
D6/671.1, 672, 674, 675, 675.1, 675.3,
D6/683, 683.1, 685, 691, 691.5, 702, 703,
D6/703.1, 708, 708.2, 708.21, 708.25,
D6/716, 716.1-716.4; D15/127; D3/304,
D3/307, 309, 288; D7/333;
D24/227-230; D25/48.4, 113, 163
CPC A47B 43/00; A47B 49/006; A47B 46/00;
A47B 81/002; A47B 87/0215; A47B
96/02; A47B 96/022; A47B 47/02; A47K
3/281; A01K 15/025; H02B 1/013; H02B
1/014; H02B 1/308; E06B 3/7001; G09B
25/00; B22F 3/1055

See application file for complete search history.

(56) **References Cited**

U.S. PATENT DOCUMENTS

3,296,745 A * 1/1967 Johnson E06B 3/7001
49/501
4,090,755 A * 5/1978 Johnson A47B 47/02
312/140
D301,527 S * 6/1989 Jacobs D6/666
D369,481 S * 5/1996 Brightbill D6/675

5,513,575 A * 5/1996 Slade A47B 96/02
108/42
5,588,541 A * 12/1996 Goetz A47B 87/0215
211/186
D382,751 S * 8/1997 Andrus D6/525

(Continued)

Primary Examiner — Kevin K Rudzinski

Assistant Examiner — Paul D Bohannon

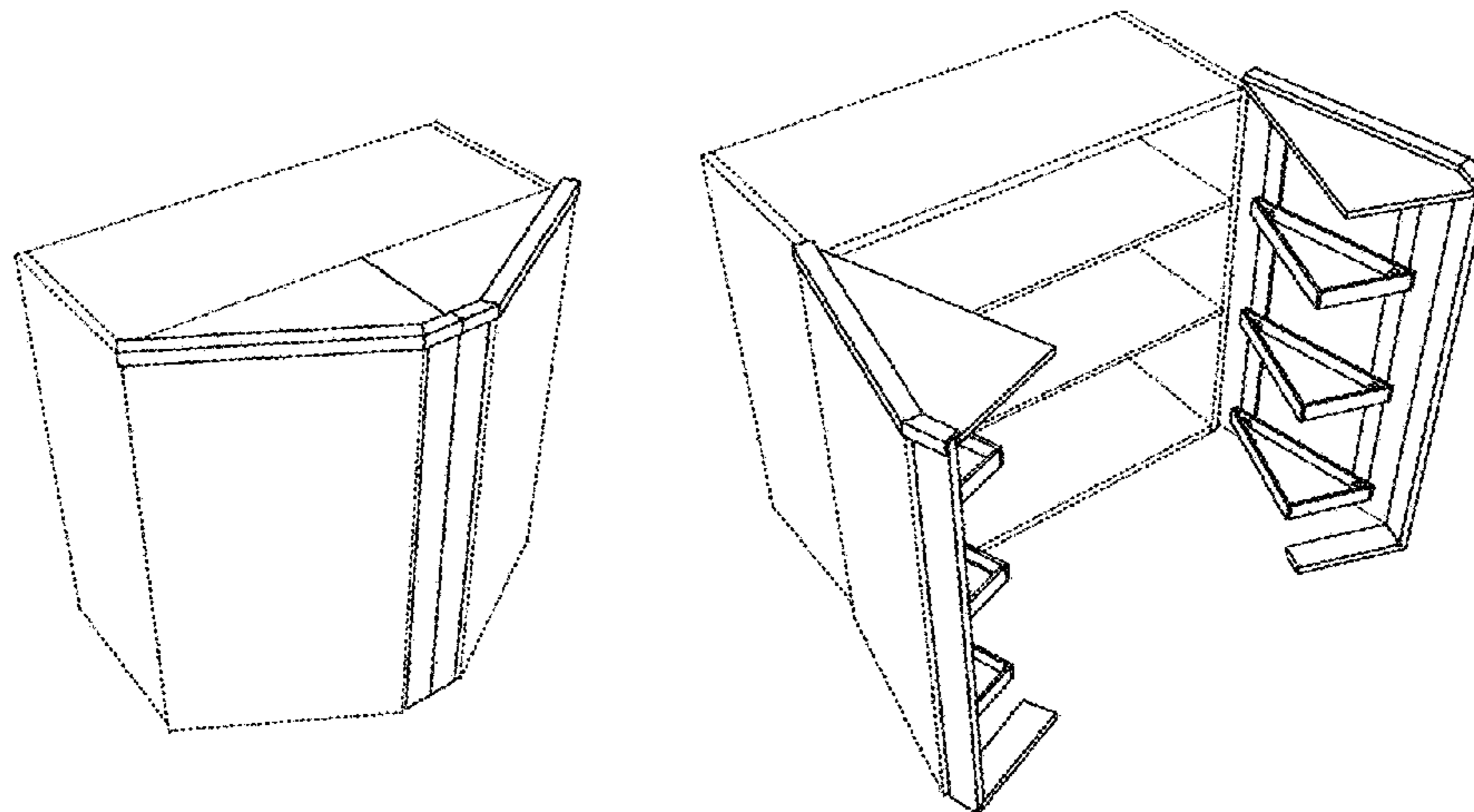
(57) **CLAIM**

The ornamental design for the shelves unit, as shown and described.

DESCRIPTION

FIG. 1 is a perspective view of the shelves unit in a closed position of use;
FIG. 2 is a perspective view of the shelves unit in an open position of use;
FIG. 3 is a front view of the shelves unit in a closed position of use;
FIG. 4 is a front view of the shelves unit in an open position of use;
FIG. 5 is a left side view of the shelves unit in a closed position of use. The right side view is a mirror image of the left side;
FIG. 6 is a left side view of the shelves unit in an open position of use. The right side view is a mirror image of the left side;
FIG. 7 is a top view of the shelves unit in a closed position of use;
FIG. 8 is top view of the shelves unit in an open position of use;
FIG. 9 is a bottom view of the shelves unit in a closed position of use; and,
FIG. 10 is a bottom view of the shelves unit in an open position of use.
The broken line showing of a cupboard is for the purpose of illustrating environmental structure and forms no part of the claimed design.

1 Claim, 5 Drawing Sheets



(56)

References Cited

U.S. PATENT DOCUMENTS

5,724,894 A * 3/1998 Knorovsky A47K 3/281
108/42
D409,868 S * 5/1999 France D6/562
6,017,108 A * 1/2000 Domenig A47B 49/006
312/135
6,196,139 B1 * 3/2001 Jensen A01K 15/025
108/42
D444,017 S * 6/2001 Walker D6/562
D567,537 S * 4/2008 Mehmen D6/668.1
D635,809 S * 4/2011 O'Brien D6/527
D653,068 S * 1/2012 Klein D6/562
D658,217 S * 4/2012 Wenning D15/127
D670,510 S * 11/2012 Daino D6/668.2
D761,600 S * 7/2016 Hsu D6/678.1
2008/0272676 A1 * 11/2008 Eustace A47B 47/0083
312/243
2010/0055660 A1 * 3/2010 Hicks G09B 25/00
434/365
2013/0063003 A1 * 3/2013 Liu A47B 43/00
312/205
2013/0270985 A1 * 10/2013 Ulibarri A47B 97/00
312/327
2014/0014607 A1 * 1/2014 Mikich A47B 43/00
211/195
2014/0265780 A1 * 9/2014 Graham A47B 96/20
312/300
2016/0045039 A1 * 2/2016 McGregor A47B 49/006
211/144
2016/0214175 A1 * 7/2016 Nordstrom B22F 3/1055

* cited by examiner

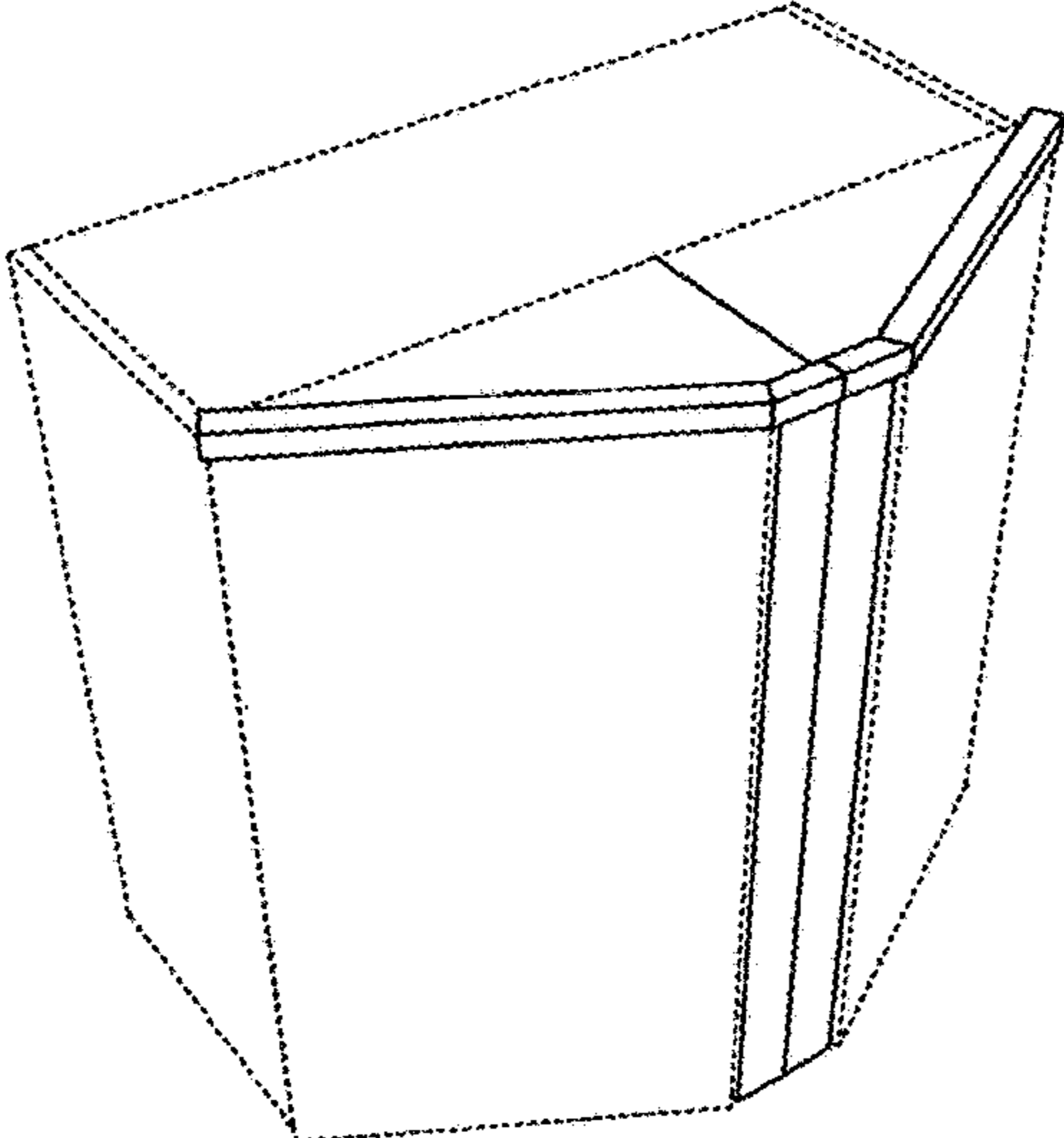


FIG. 1

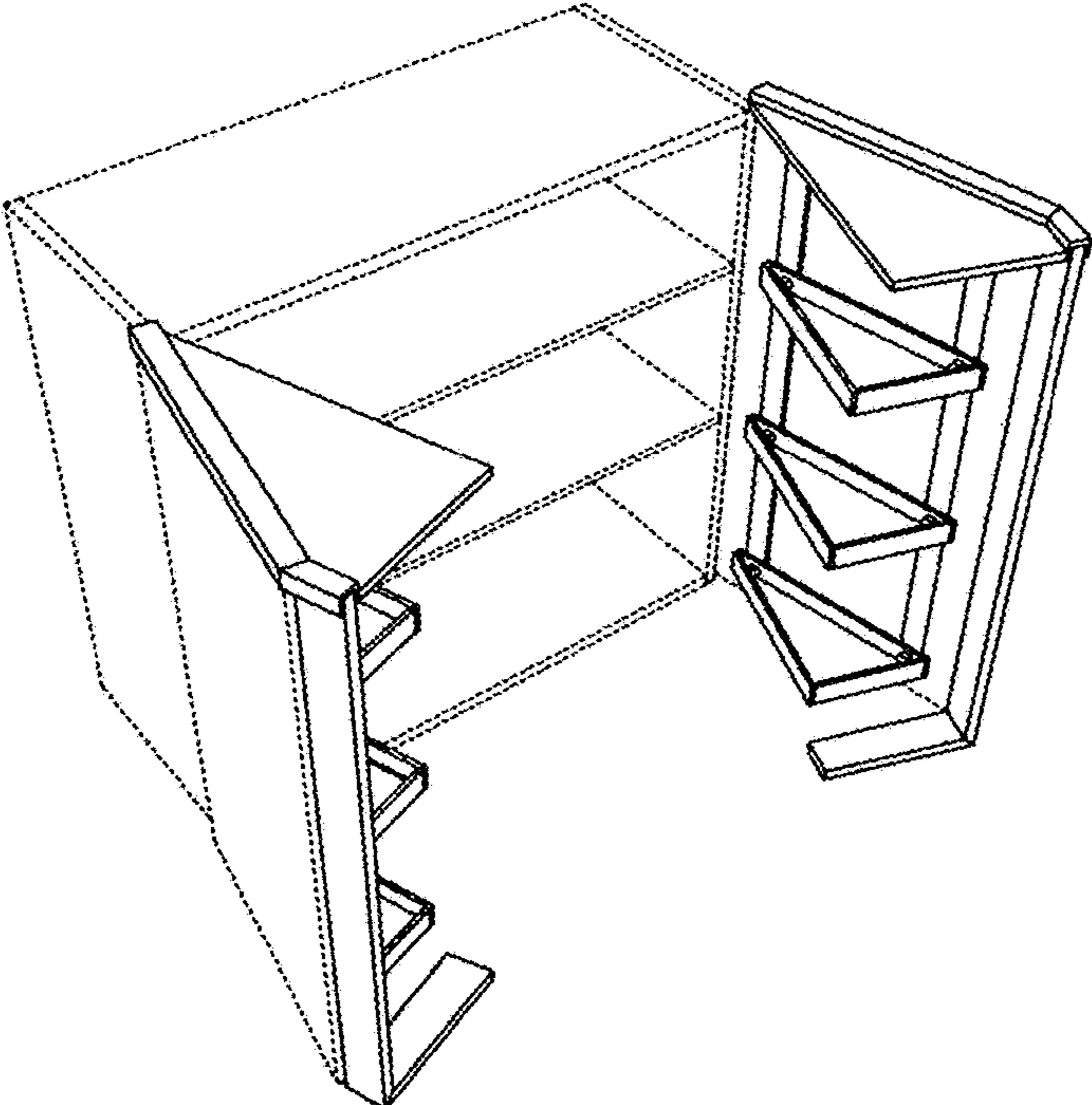


FIG. 2

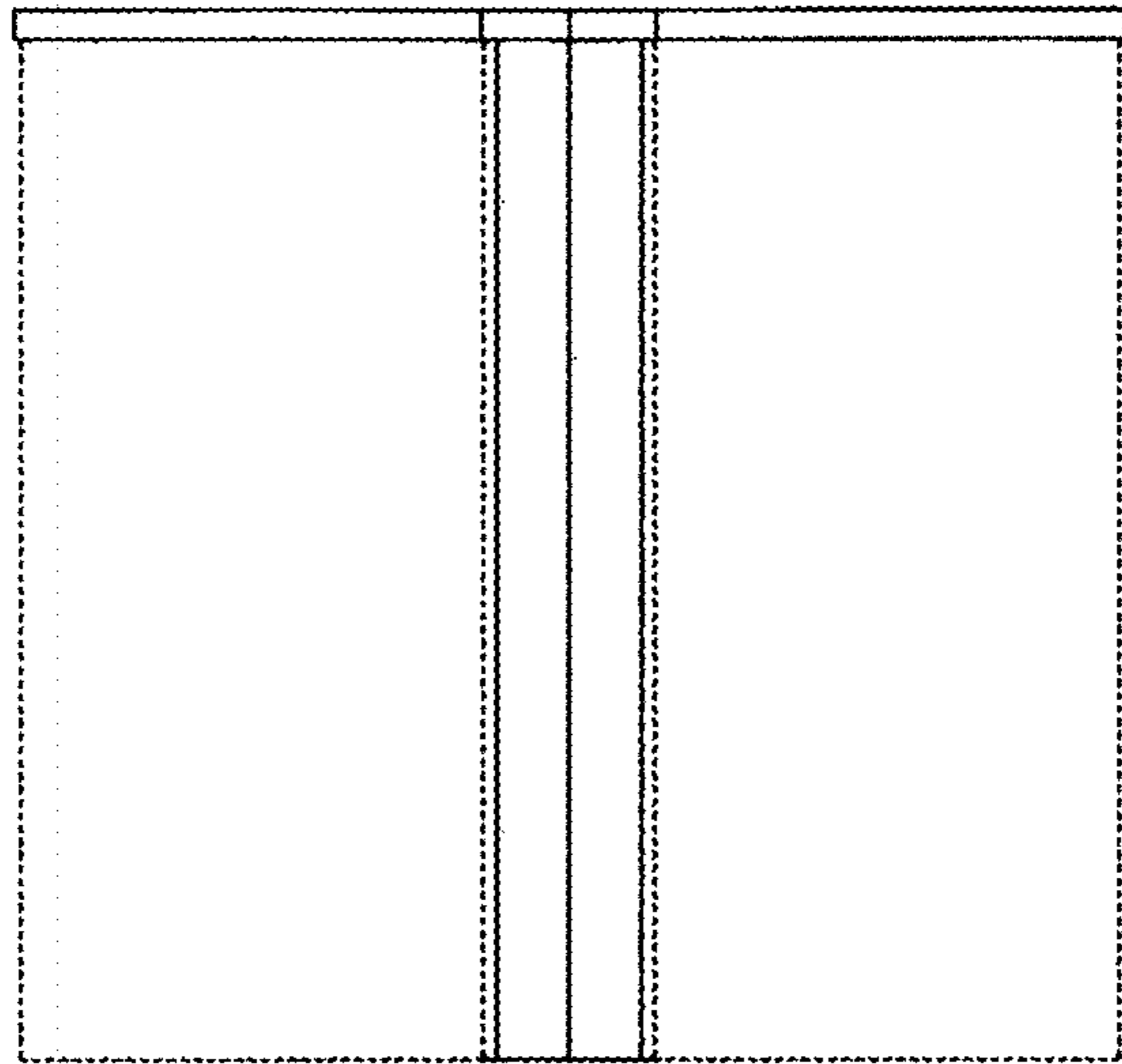


FIG. 3

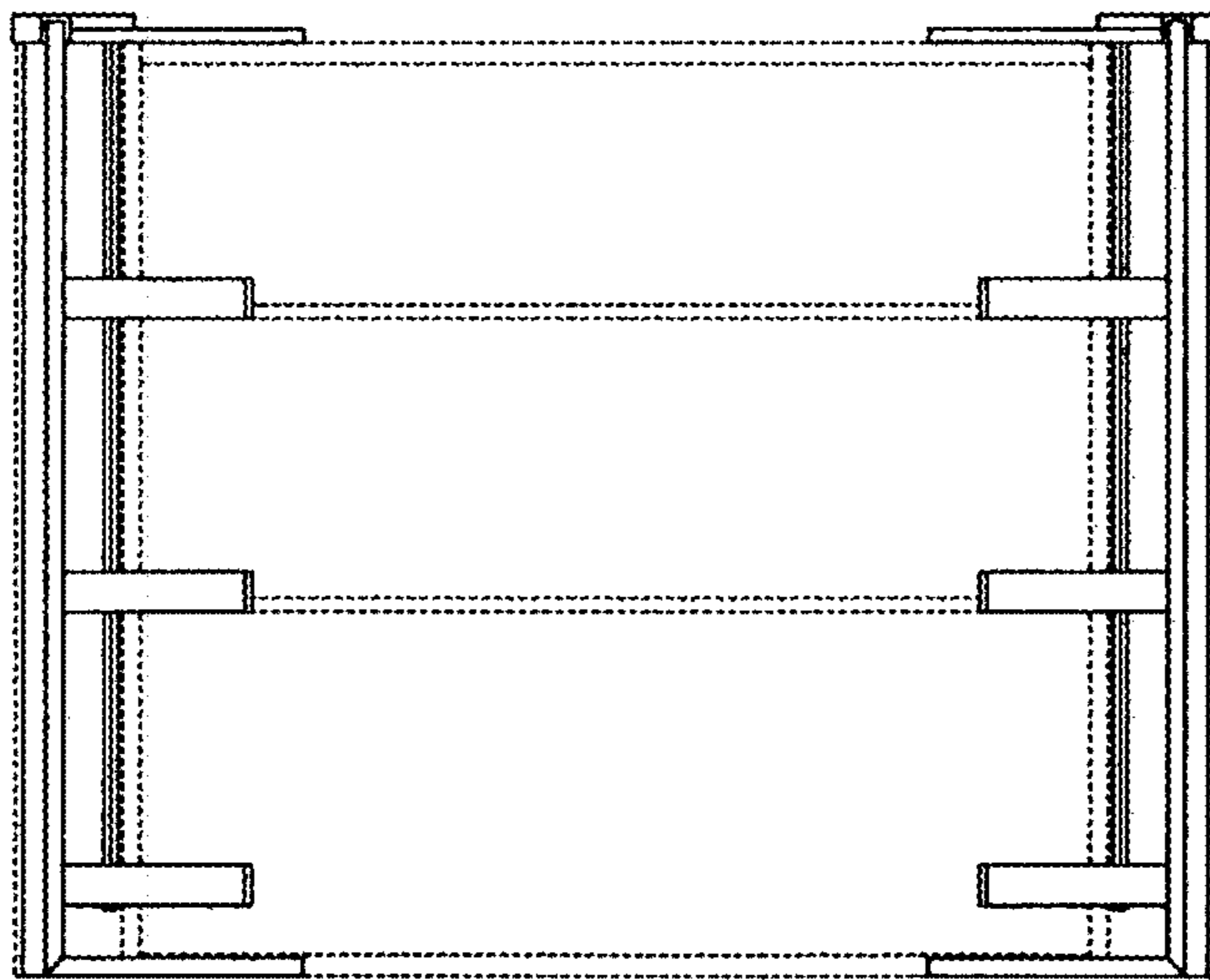


FIG. 4

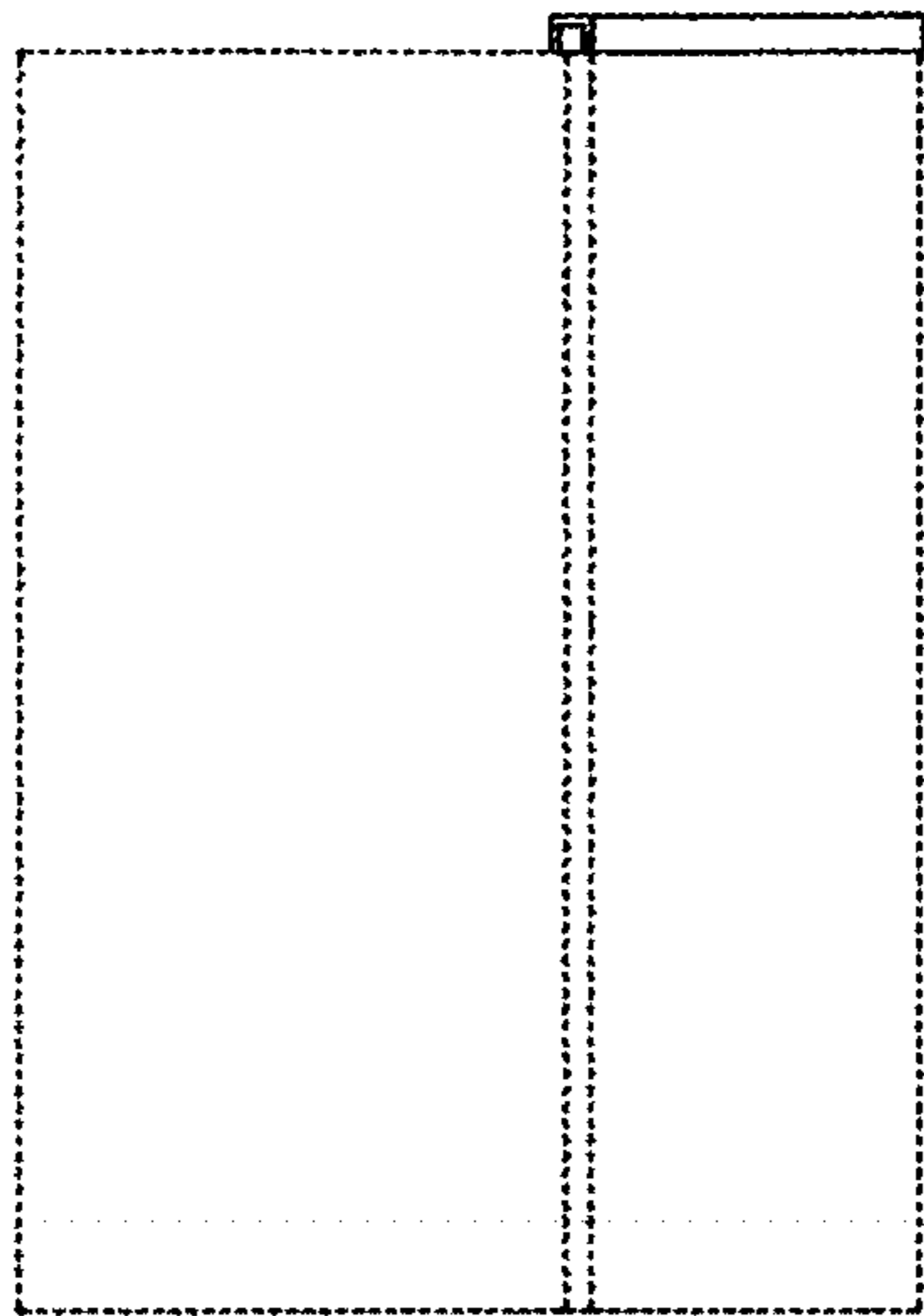


FIG. 5

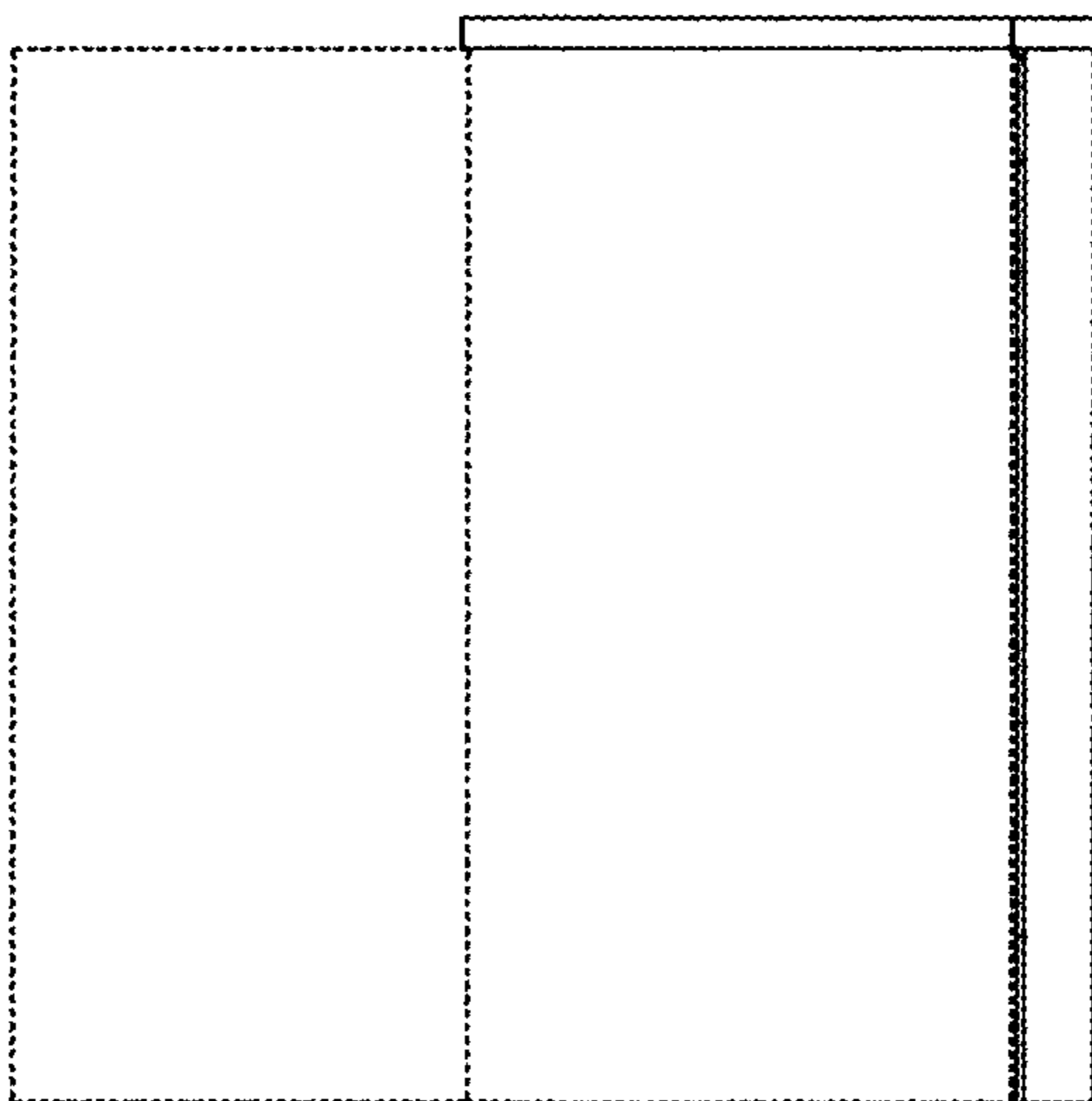


FIG. 6

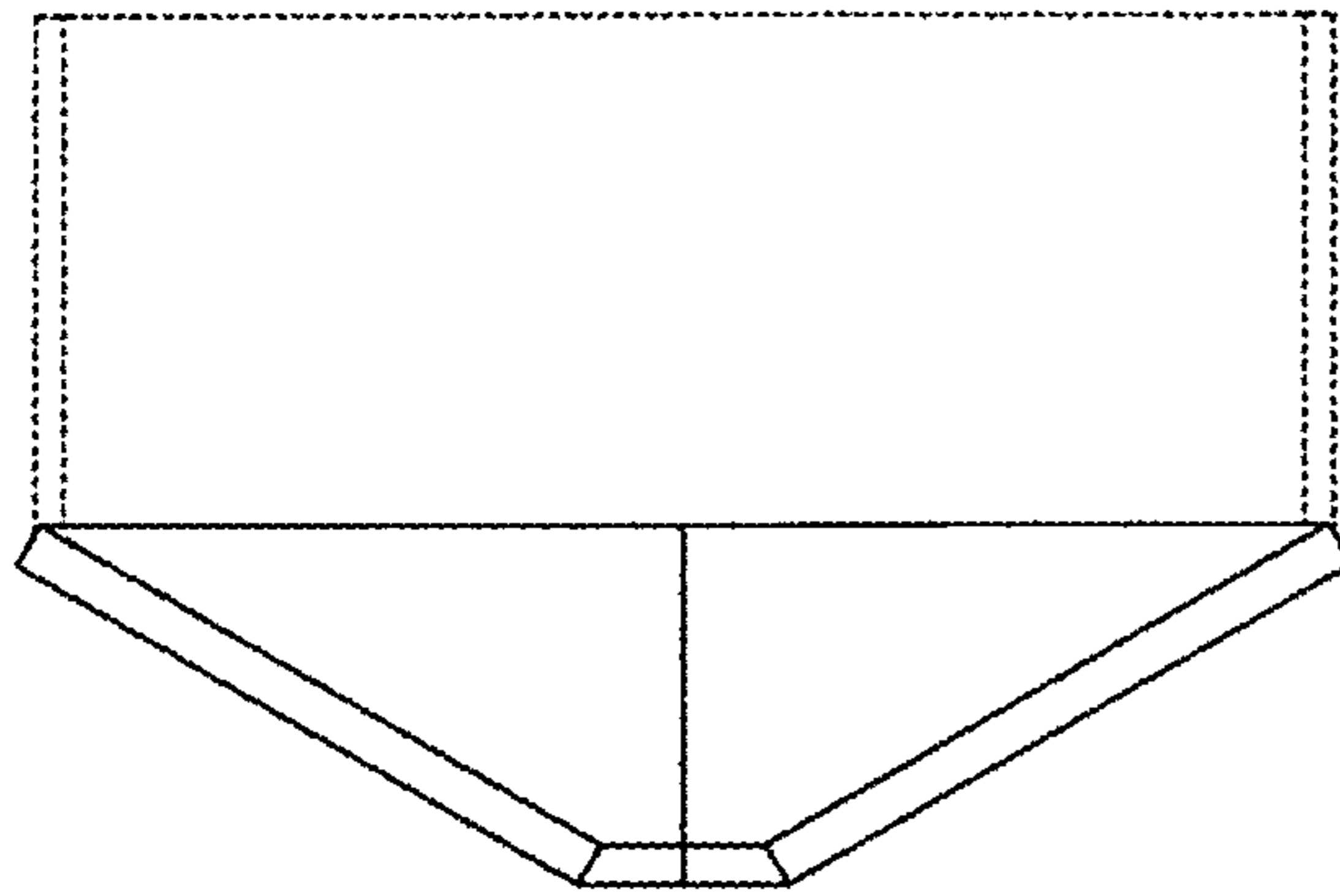


FIG. 7

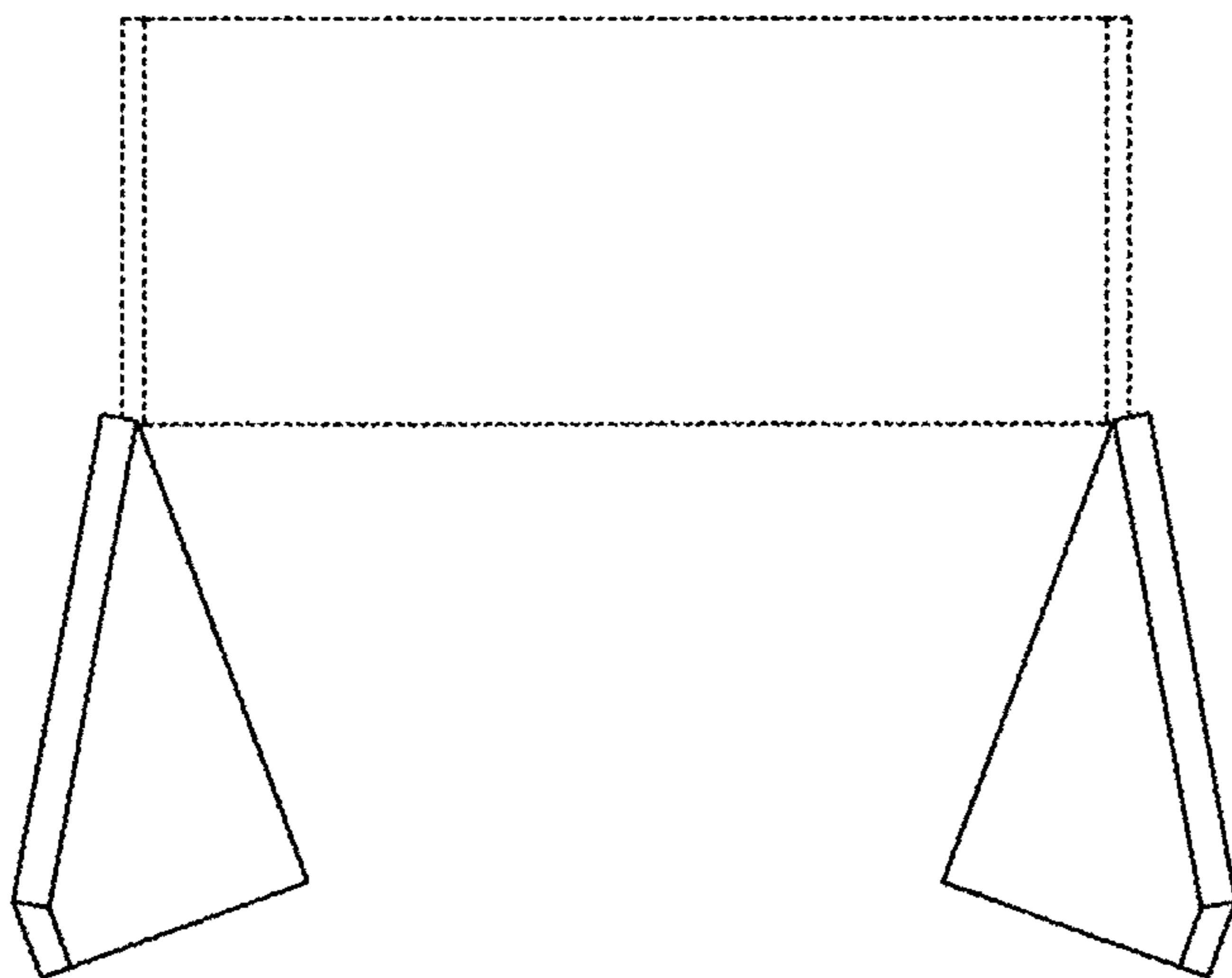


FIG. 8

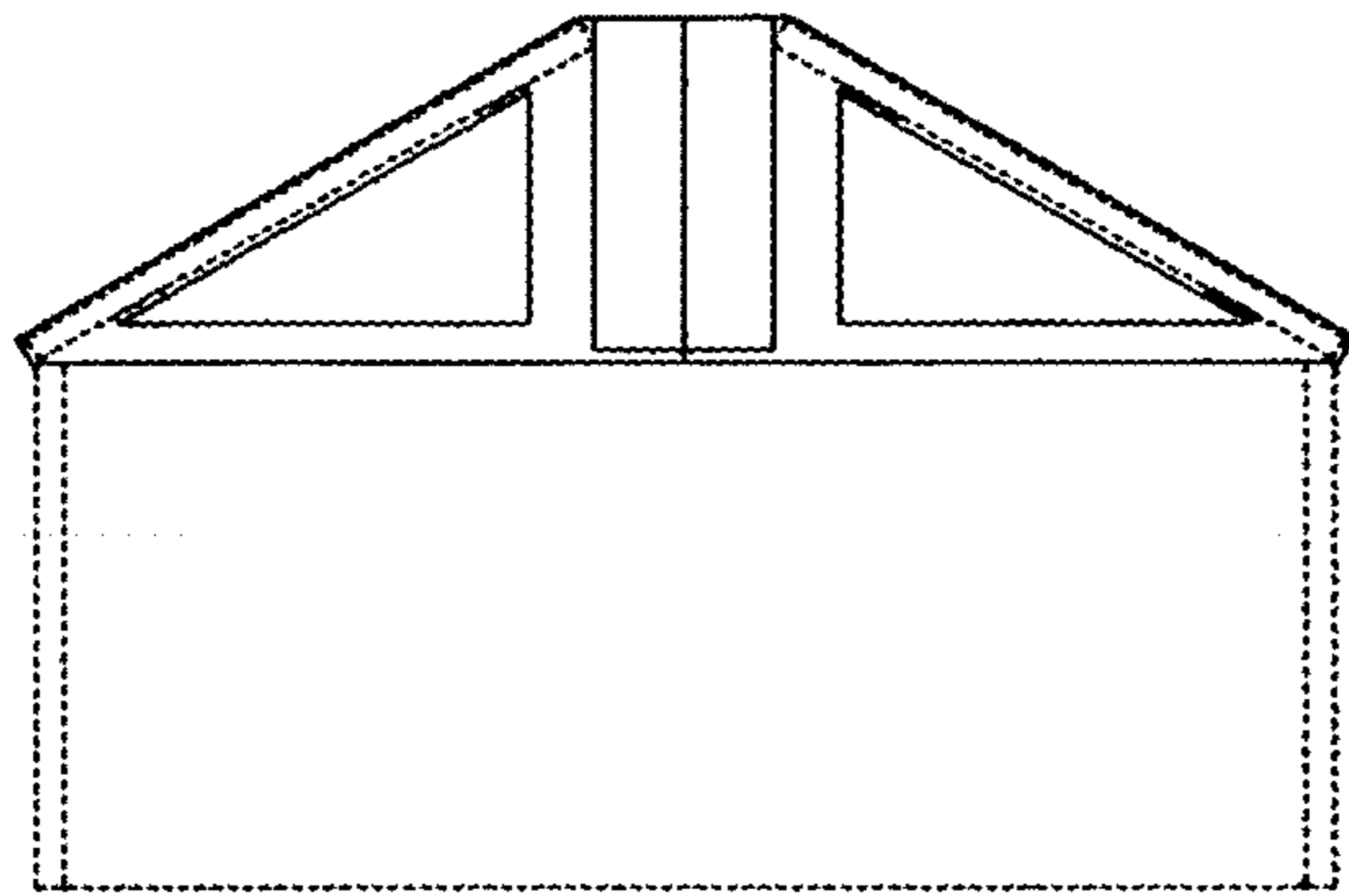


FIG. 9

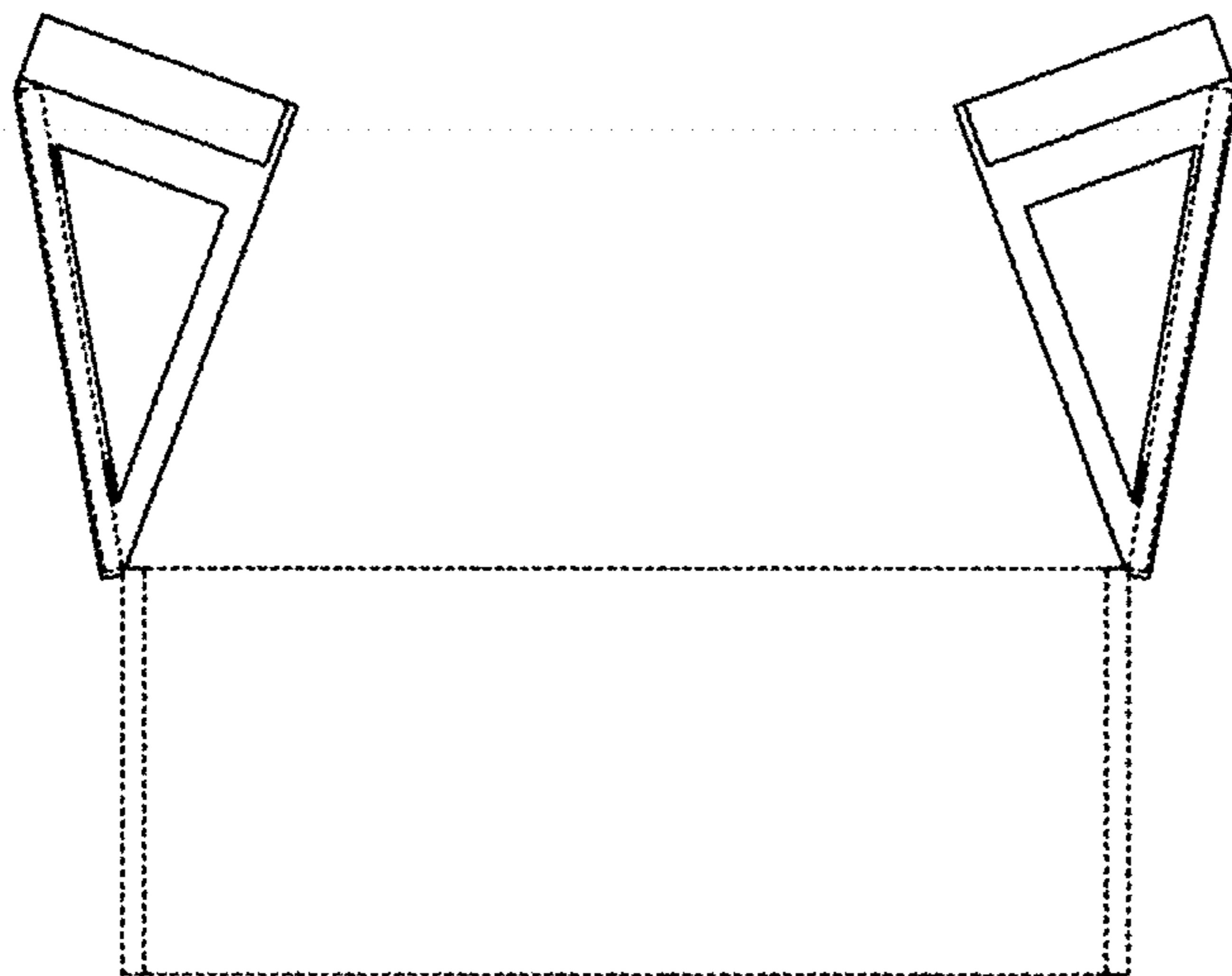


FIG. 10