



US00D811126S

(12) **United States Design Patent**
Ambrogio et al.

(10) **Patent No.:** **US D811,126 S**

(45) **Date of Patent:** **** *Feb. 27, 2018**

(54) **PILLOW WITH ARMS**

(71) Applicant: **Hope, Joy and Hugs LLC**, Alpharetta, GA (US)

(72) Inventors: **Steven Ambrogio**, Alpharetta, GA (US); **Maureen Brasch**, Alpharetta, GA (US)

(73) Assignee: **Hope, Joy and Hugs LLC**, Alpharetta, GA (US)

(*) Notice: This patent is subject to a terminal disclaimer.

(**) Term: **14 Years**

(21) Appl. No.: **29/511,936**

(22) Filed: **Dec. 15, 2014**

(51) **LOC (11) Cl.** **06-09**

(52) **U.S. Cl.**
USPC **D6/599**

(58) **Field of Classification Search**

USPC D6/595-601, 604-606; D21/623, 627, D21/803, 804; D24/183; D30/118, 160
CPC A47C 7/383; A47C 20/00; A47C 20/021; A47C 20/25; A47D 13/00; A47D 13/08; A47D 15/0008; A47G 9/00; A47G 9/10; A47G 9/109; A47G 9/1027; A47G 9/1045; A47G 9/1054; A47G 9/1063; A47G 9/1072; A47G 9/1081; A47G 2009/003; A47G 2009/1018

See application file for complete search history.

(56) **References Cited**

U.S. PATENT DOCUMENTS

2,413,828 A * 1/1947 Hirsh A47G 9/10 383/4
2,961,668 A * 11/1960 Hayes A47D 15/008 446/72

D232,042 S * 7/1974 Pendill D21/627
D280,754 S * 9/1985 Zacherle D21/623
D297,251 S * 8/1988 Gamazo-Canella D21/623
4,790,042 A * 12/1988 Reich A47D 13/08 5/421
D395,781 S * 7/1998 Golder D6/599
5,776,558 A * 7/1998 Wotton A01M 29/06 206/575
D401,102 S * 11/1998 Thomas D21/623
D414,367 S * 9/1999 Esseltine D6/597
6,422,871 B2 * 7/2002 Shepherd 434/236

(Continued)

Primary Examiner — Mary Ann Calabrese

(74) *Attorney, Agent, or Firm* — Michael D. Downs; Fincham Downs, LLC

(57) **CLAIM**

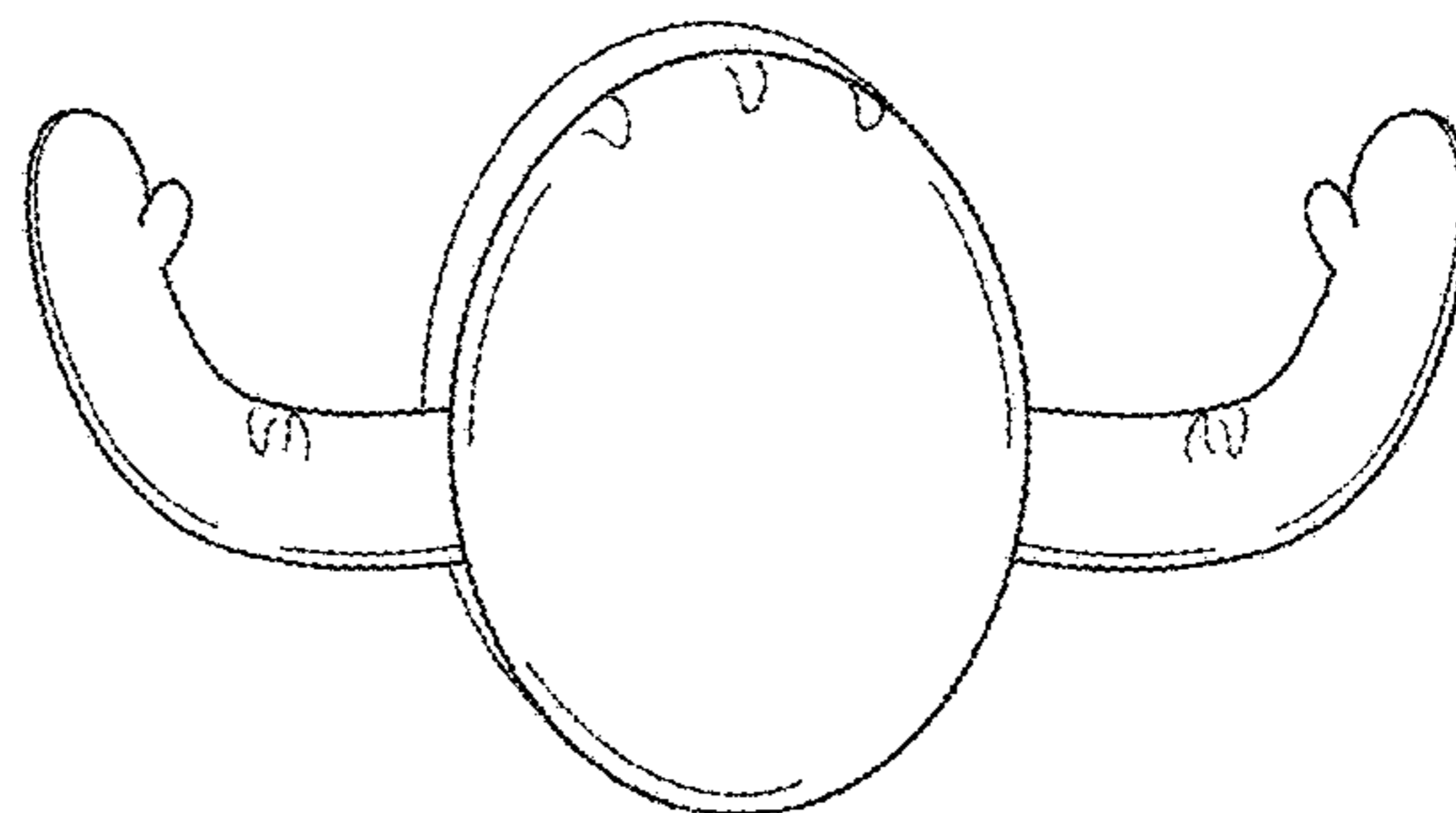
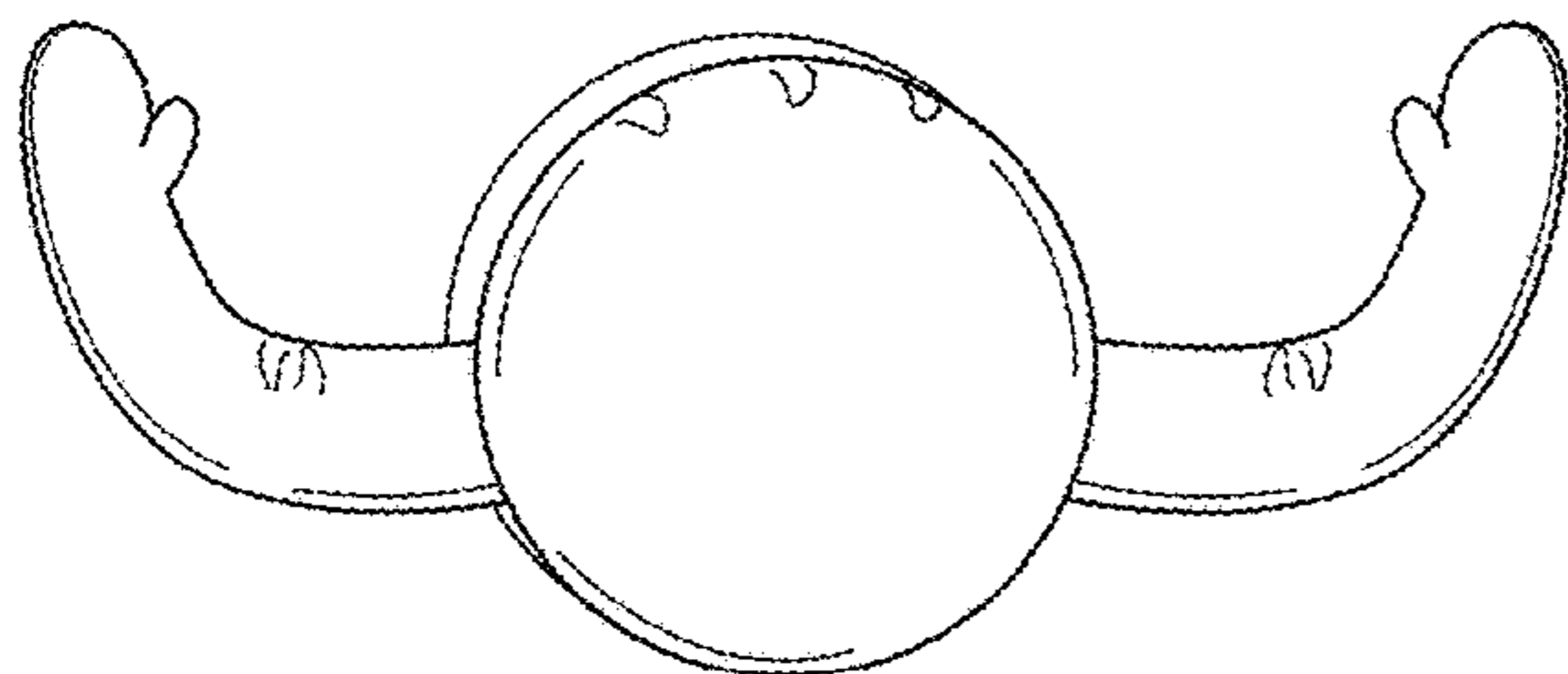
The ornamental design for a pillow with arms, as shown and described.

DESCRIPTION

FIG. 1 is a front left perspective view of a pillow with arms; FIG. 2 is a rear right perspective view thereof; FIG. 3 is a right side view thereof; FIG. 4 is a left side view thereof; FIG. 5 is a top view thereof; FIG. 6 is a bottom view thereof; FIG. 7 is an alternative front left perspective view of the claimed design of FIG. 1; FIG. 8 is a front left perspective view of an alternant embodiment of a pillow with arms; FIG. 9 is a rear right perspective view of FIG. 8; FIG. 10 is a right side view of FIG. 8; FIG. 11 is a left side view of FIG. 8; FIG. 12 is a top view of FIG. 8; FIG. 13 is a bottom view of FIG. 8; and, FIG. 14 is an alternative front left perspective view of the claimed design of FIG. 8.

The broken lines in FIG. 7 and FIG. 14 represent stitching.

1 Claim, 4 Drawing Sheets



(56)

References Cited

U.S. PATENT DOCUMENTS

| | | | | |
|------------|---|---------|------------------|---------|
| D552,829 S | * | 10/2007 | Worfel | D2/844 |
| D672,994 S | | 12/2012 | Randall | |
| D673,406 S | | 1/2013 | Randall | |
| D673,408 S | | 1/2013 | Randall | |
| D686,435 S | | 7/2013 | Randall | |
| D695,547 S | * | 12/2013 | Robilotto | D6/599 |
| D696,875 S | * | 1/2014 | Ortiz | D21/630 |
| D719,873 S | * | 12/2014 | Gianfriddo | D11/160 |
| D728,969 S | * | 5/2015 | Pfaff | D6/599 |

* cited by examiner

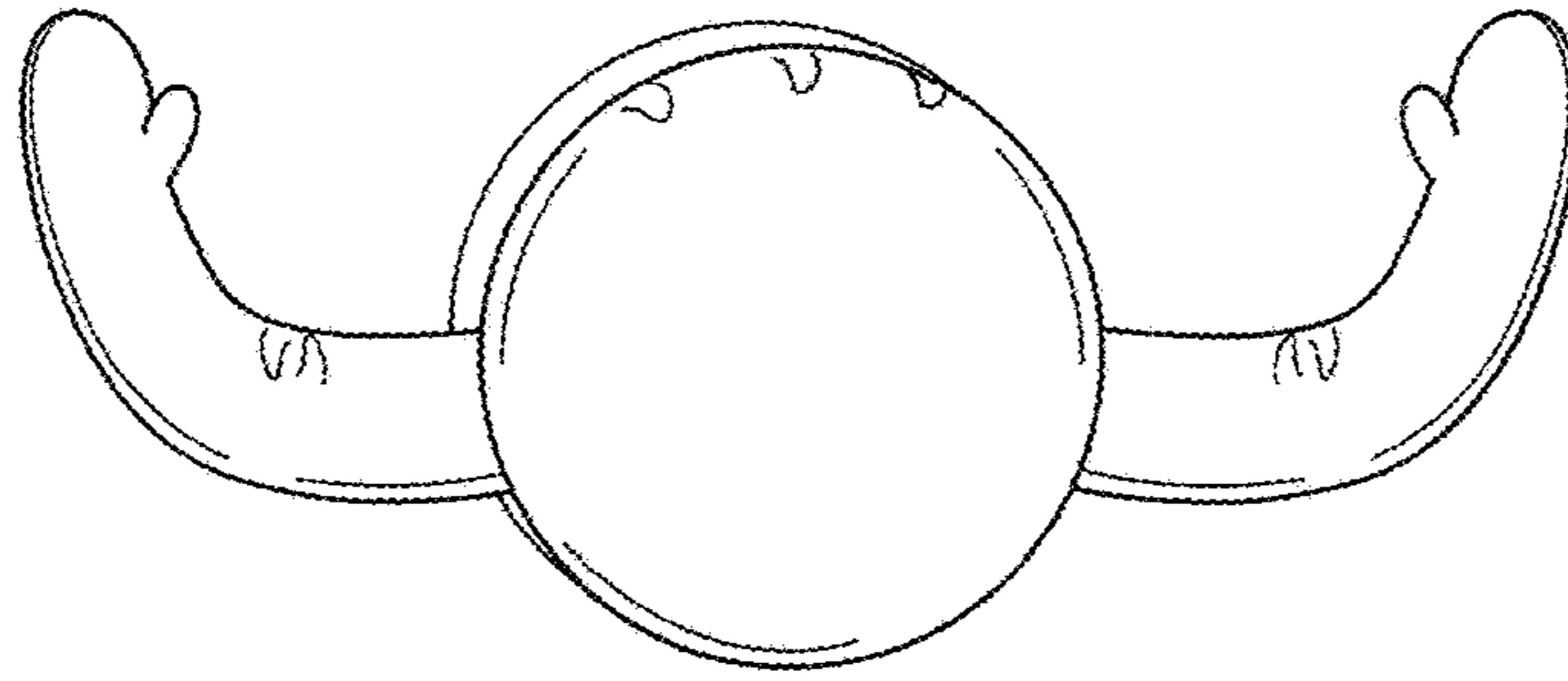


FIG. 1

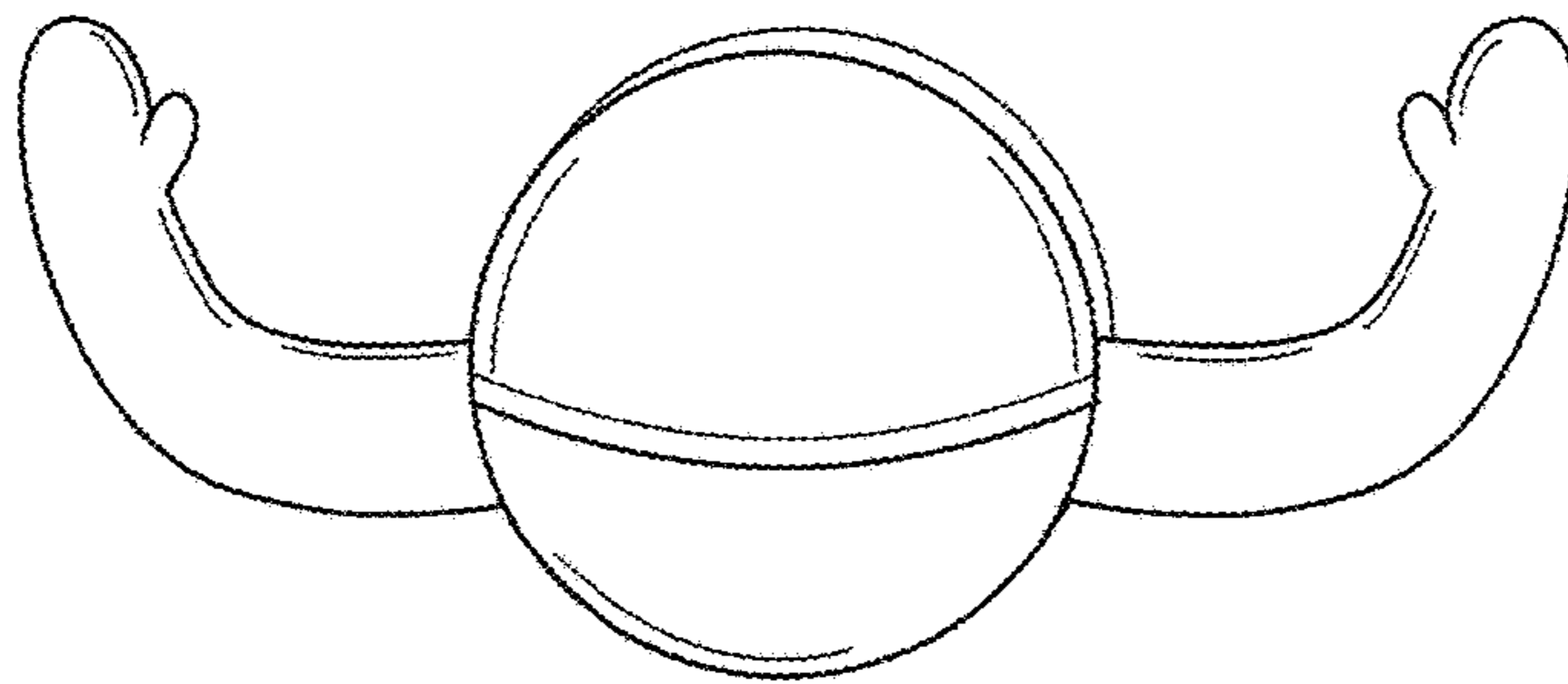


FIG. 2

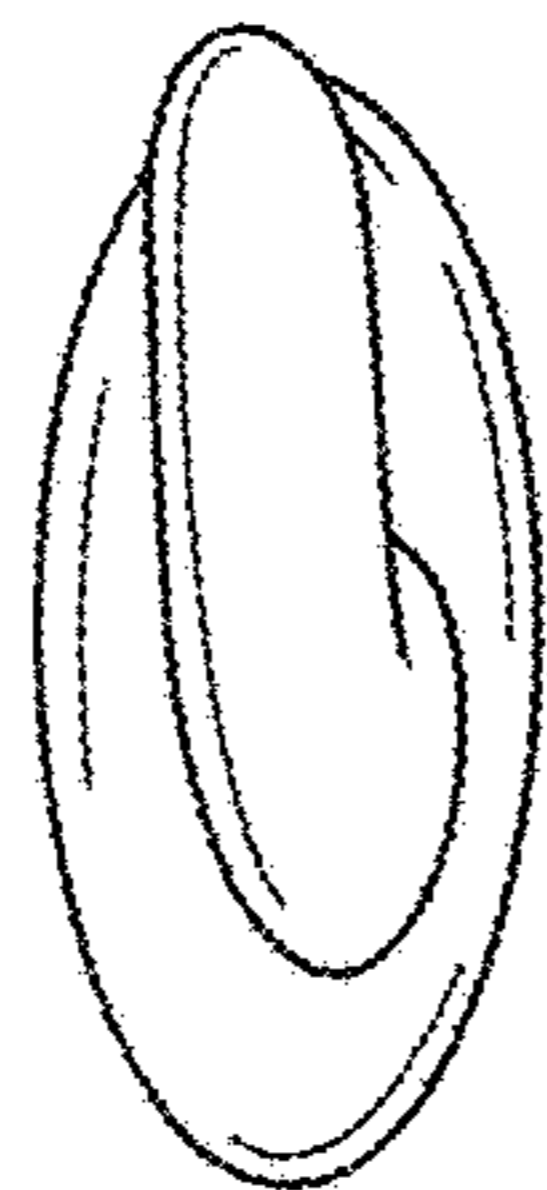


FIG. 3



FIG. 4



FIG. 5



FIG. 6

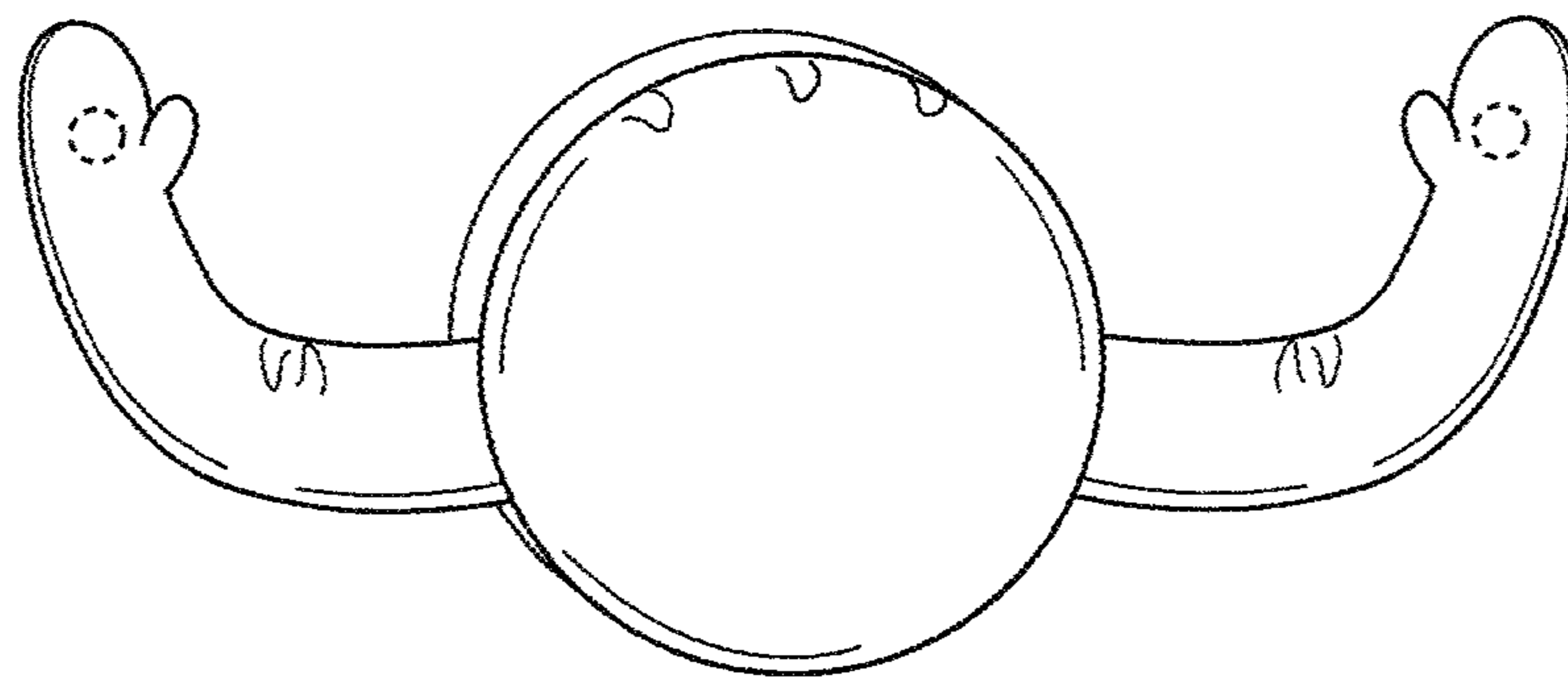


FIG. 7

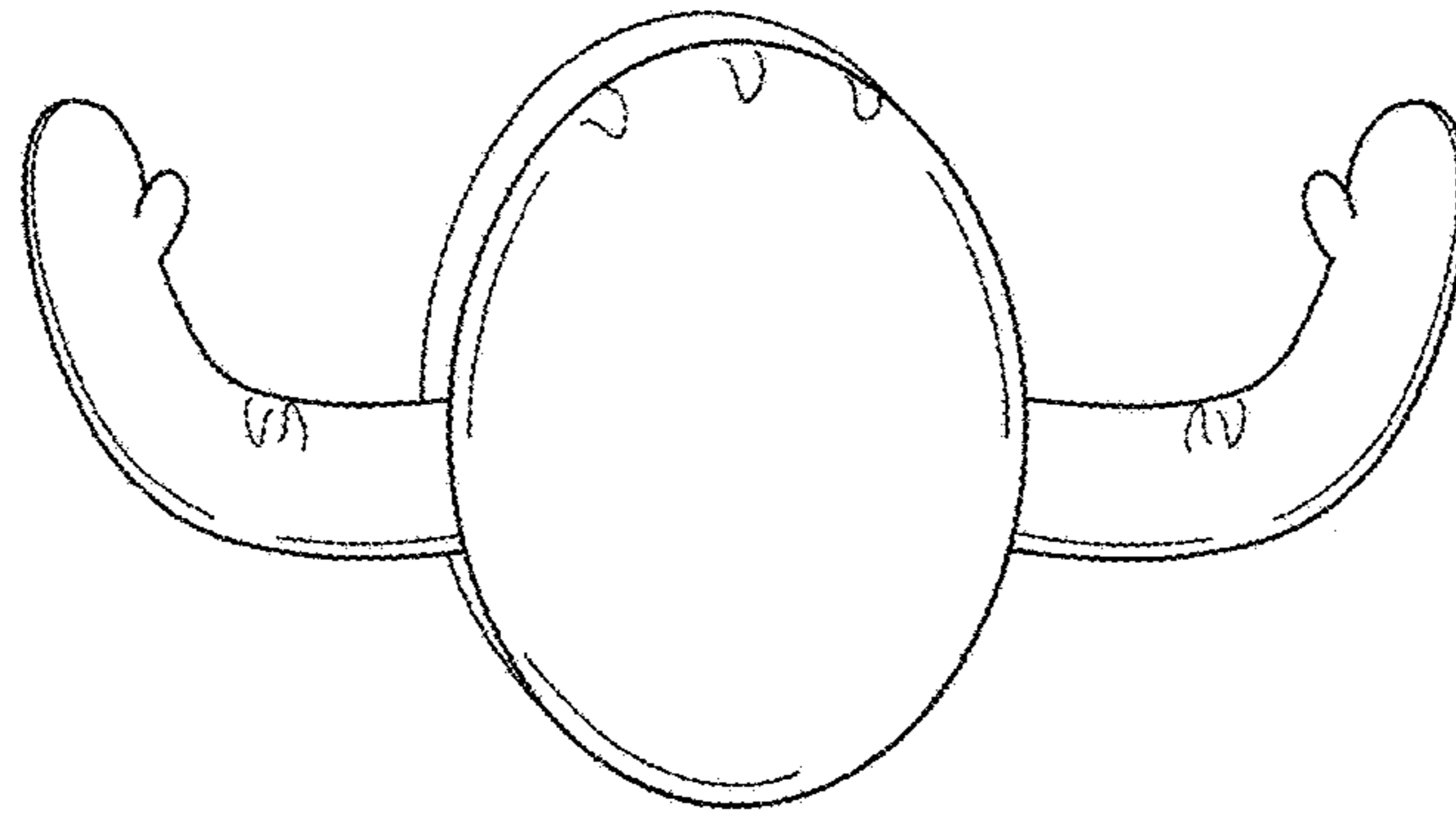


FIG. 8

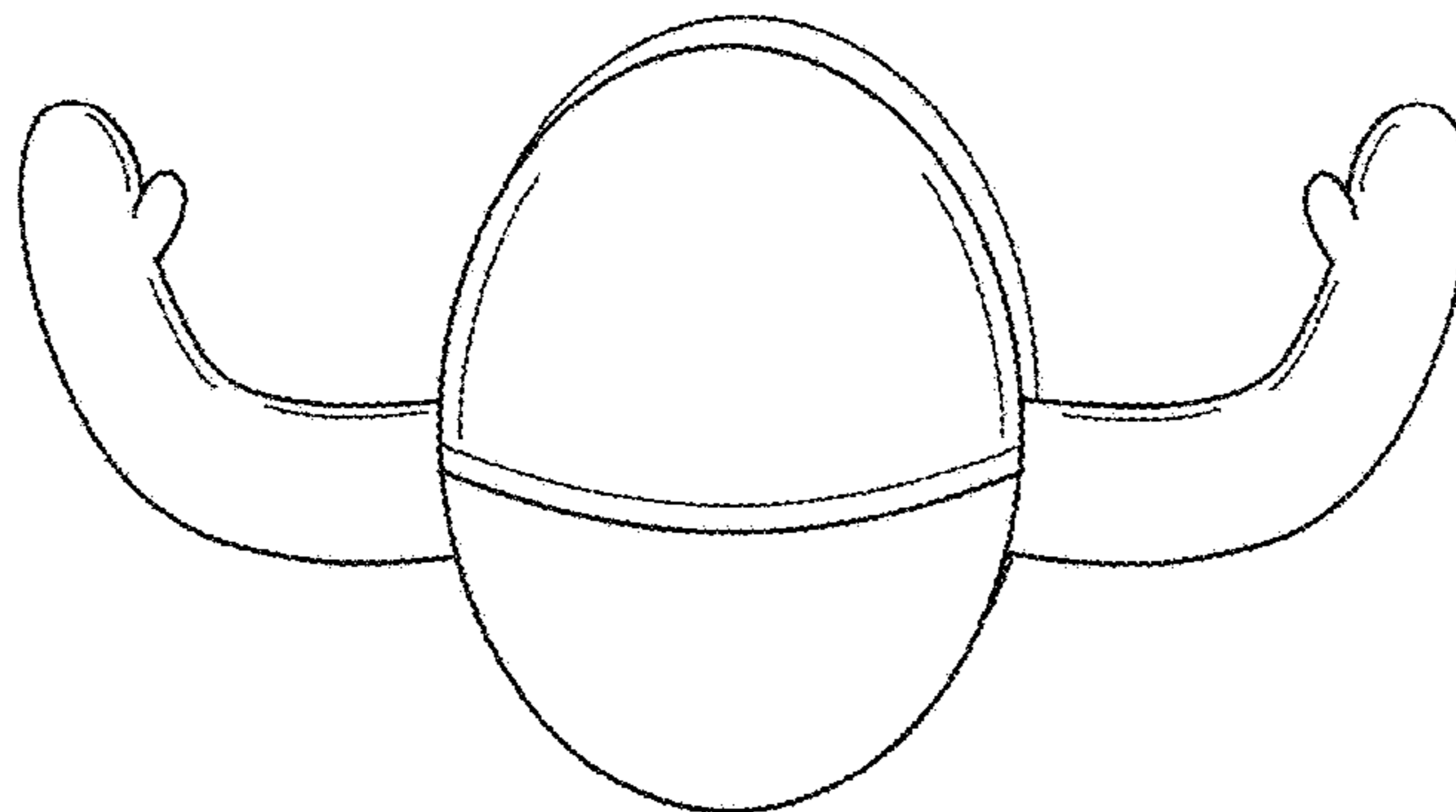


FIG. 9



FIG. 10



FIG. 11



FIG. 12



FIG. 13

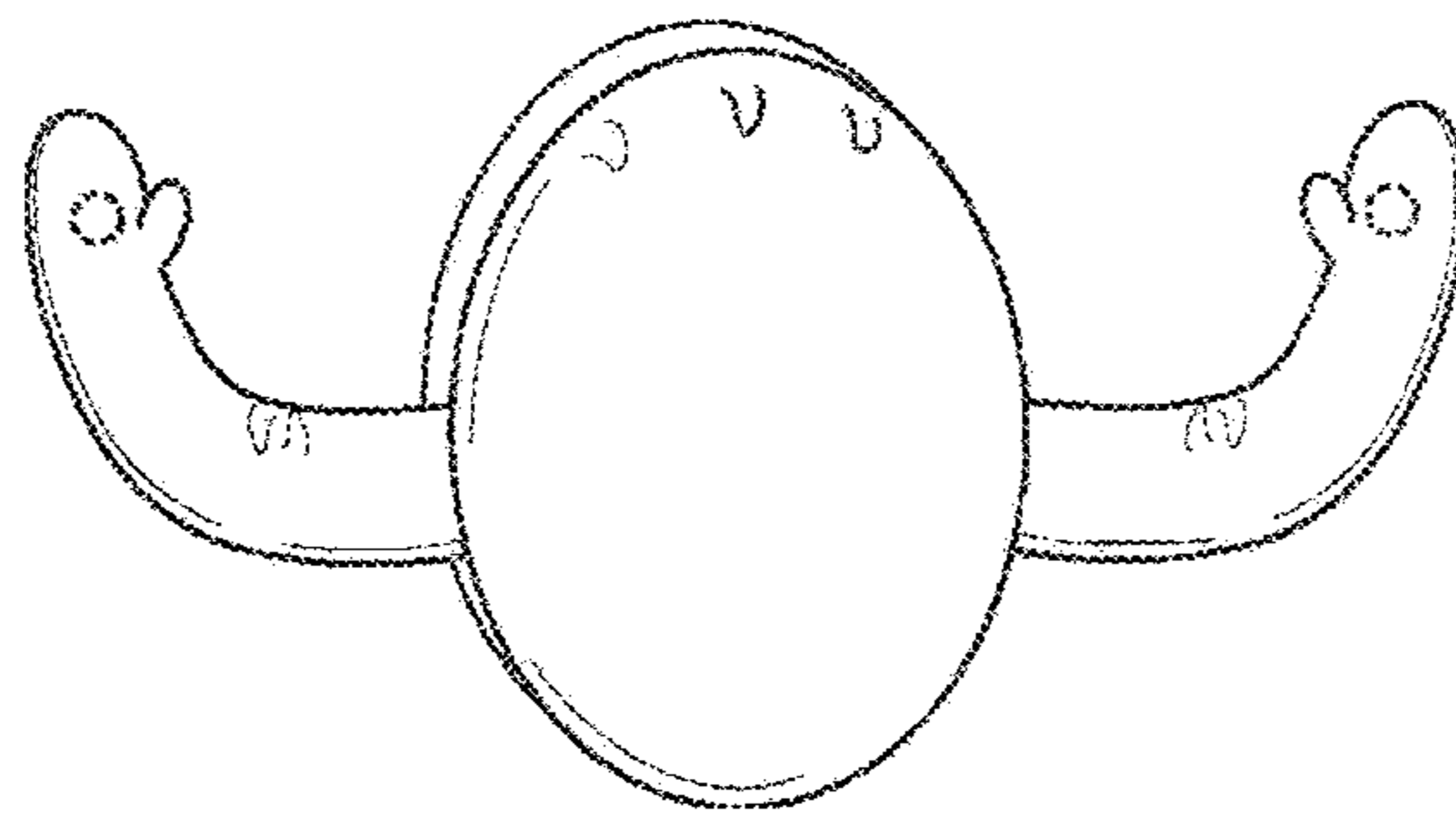


FIG. 14