



US00D811124S

(12) **United States Design Patent**
Chou

(10) **Patent No.:** **US D811,124 S**

(45) **Date of Patent:** **** Feb. 27, 2018**

(54) **BRACKET FOR DECORATIVE FRAME FOR A WINDOW CURTAIN RAIL**

(71) Applicant: **Tser Wen Chou**, Yorba Linda, CA (US)

(72) Inventor: **Tser Wen Chou**, Yorba Linda, CA (US)

(**) Term: **15 Years**

(21) Appl. No.: **29/553,661**

(22) Filed: **Feb. 3, 2016**

(30) **Foreign Application Priority Data**

Aug. 20, 2015 (TW) 104213475

(51) **LOC (11) Cl.** **06-10**

(52) **U.S. Cl.**
USPC **D6/580; D25/119**

(58) **Field of Classification Search**
USPC D6/575-581; D8/354; D25/55, 119, D25/121, 122, 123
CPC ... A47H 1/04; A47H 1/06; A47H 1/10; A47H 1/13; A47H 1/14; A47H 11/02; A47H 23/00; A47H 23/01; A47H 5/02; B60J 1/2013; E06B 2009/2622; E06B 2009/2627; E06B 2009/425; E06B 2009/583; E06B 9/26; E06B 9/262; E06B 9/30; E06B 9/306; E06B 9/32; E06B 9/323; E06B 9/324; E06B 9/326; E06B 9/367; E06B 9/386; E06B 9/388; E06B 9/40; E06B 9/42; E06B 9/44; E06B 9/46; E06B 9/48; E06B 9/56; E06B 9/78
See application file for complete search history.

(56) **References Cited**

U.S. PATENT DOCUMENTS

D86,952 S * 5/1932 Garrison D25/123
2,834,198 A * 5/1958 Goodman E04B 1/6806
249/10

2,975,089 A * 3/1961 Hargreaves A47G 27/0212
428/168
3,593,468 A * 7/1971 Bustin E04B 1/18
52/220.5
D242,628 S * 12/1976 Scrivener D25/123
D275,705 S * 9/1984 Gabriel D25/125
D279,607 S * 7/1985 Rutter D25/69
D283,359 S * 4/1986 Bancroft D25/122
D359,565 S * 6/1995 Hallsten D25/119
D428,160 S * 7/2000 Ginzel D25/119
D451,786 S * 12/2001 Wyatt D8/354
D509,003 S * 8/2005 Stubbersfield D25/121
D545,092 S * 6/2007 Knorring, Jr. A47F 1/12
D8/377
7,331,689 B2 * 2/2008 Chen F21V 15/015
362/240
D570,501 S * 6/2008 Janesz D25/119
D572,116 S * 7/2008 Schaefer D14/229
D606,211 S * 12/2009 Frobosilo D25/121
D606,670 S * 12/2009 Keeley D25/121

(Continued)

Primary Examiner — Celia A Murphy

Assistant Examiner — Clare Ann Gannon

(74) *Attorney, Agent, or Firm* — Guice Patents PLLC

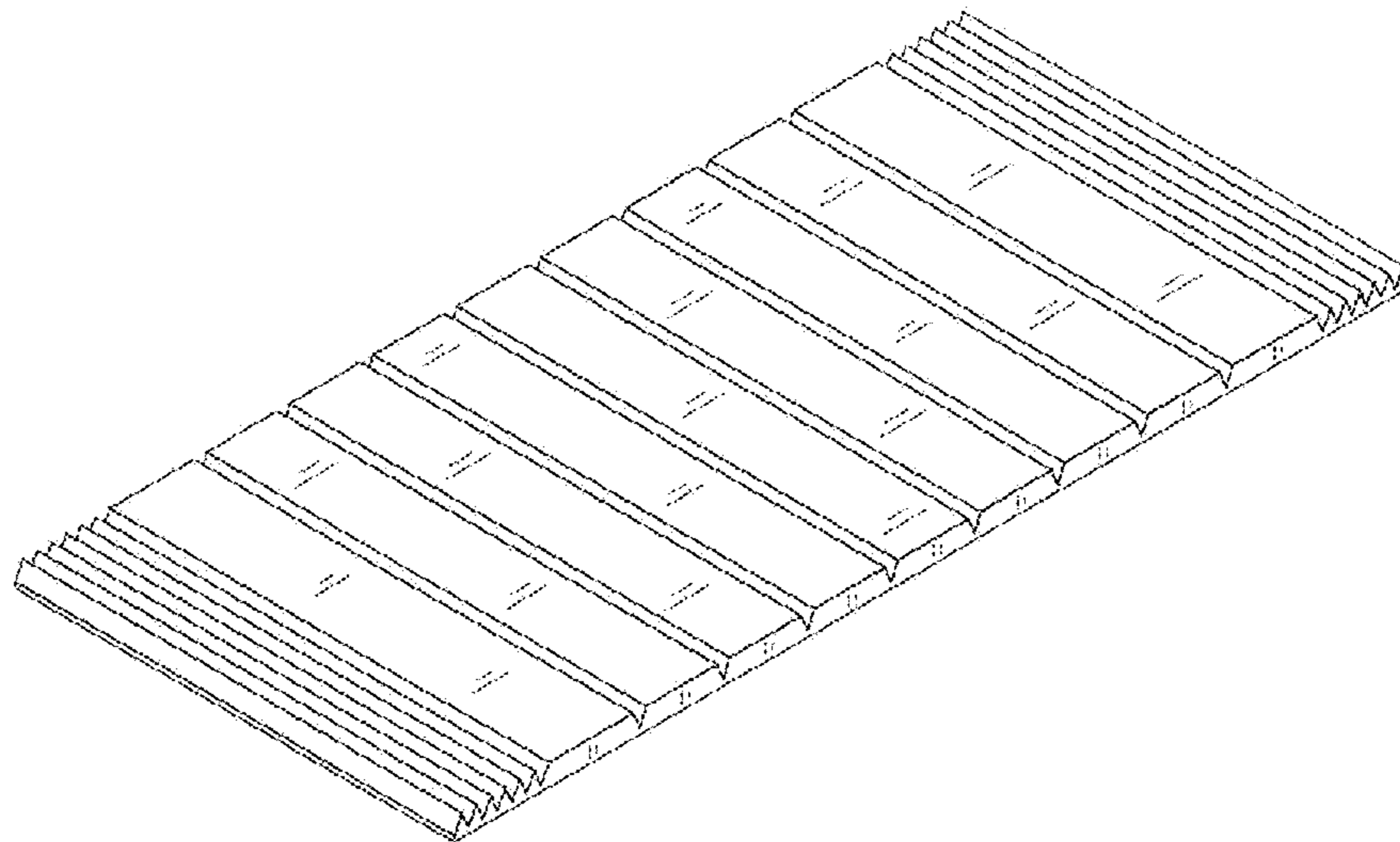
(57) **CLAIM**

The ornamental design for a bracket for decorative frame for a window curtain rail, as shown and described.

DESCRIPTION

FIG. 1 is a perspective view of a bracket for decorative frame for a window curtain rail;
FIG. 2 is a front view thereof;
FIG. 3 is a rear view thereof;
FIG. 4 is a left side view thereof;
FIG. 5 is a right side view thereof;
FIG. 6 is a top view thereof; and,
FIG. 7 is a bottom view thereof.

1 Claim, 4 Drawing Sheets



(56)

References Cited

U.S. PATENT DOCUMENTS

D638,142	S	*	5/2011	Van Camp	D25/119
D649,693	S	*	11/2011	Trzesniowski	D26/138
D737,671	S	*	9/2015	Chou	D8/376
D751,884	S	*	3/2016	Morris	D3/210
D752,422	S	*	3/2016	Veilleux	D8/377
2016/0340972	A1	*	11/2016	Chou	E06B 9/24
2017/0268290	A1	*	9/2017	Hsu	E06B 9/32

* cited by examiner

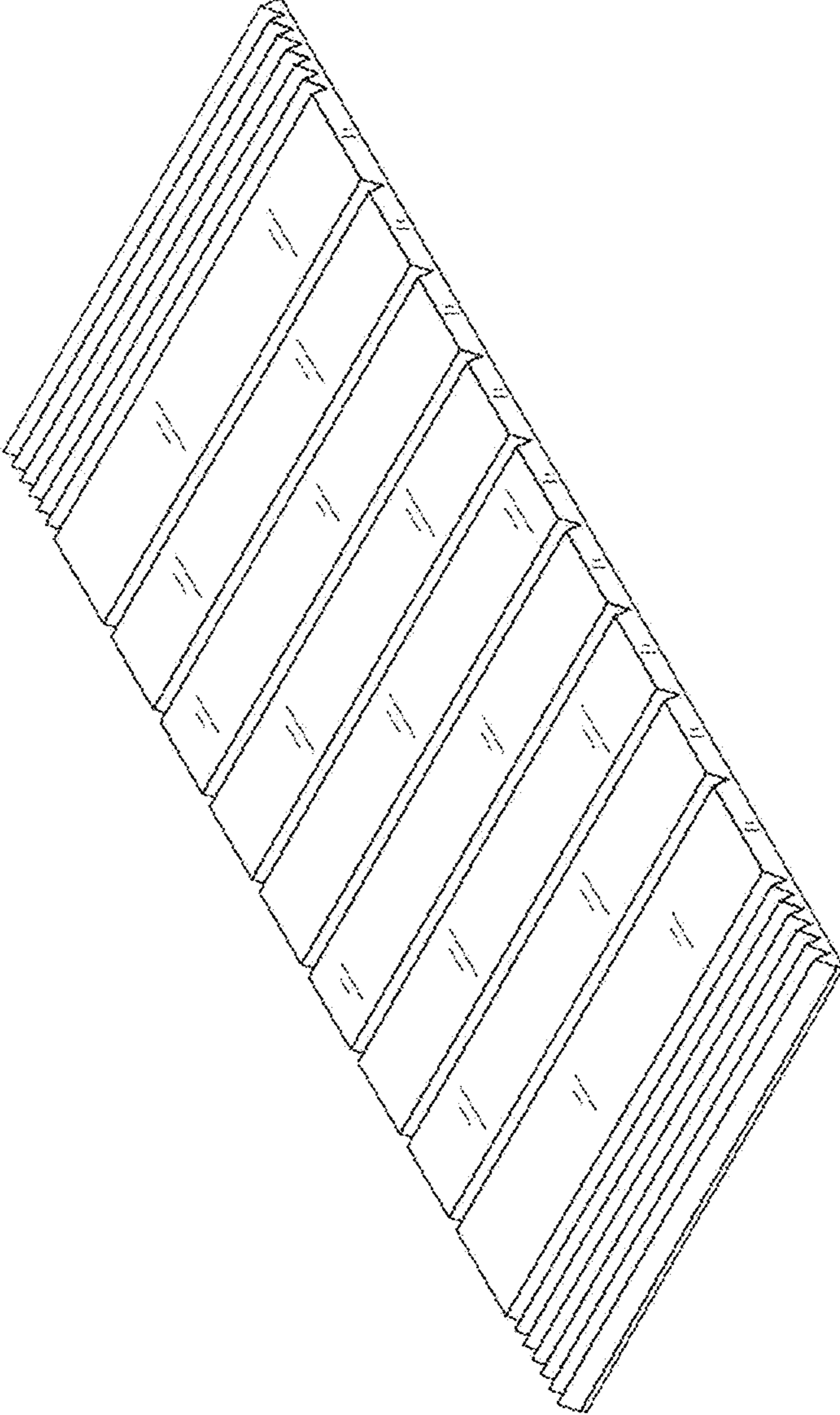


FIG.1



FIG. 2

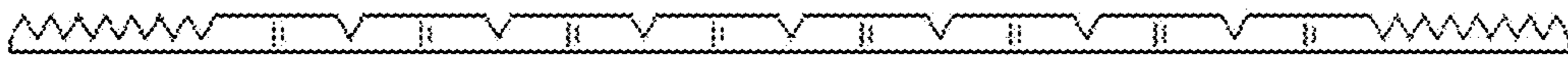


FIG. 3



FIG. 4

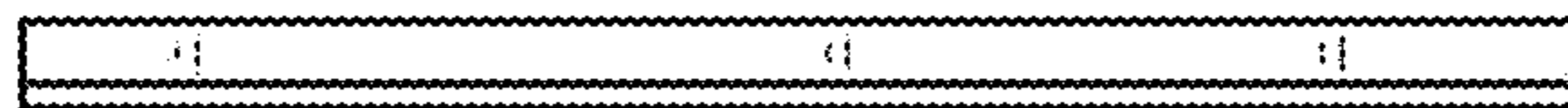


FIG. 5

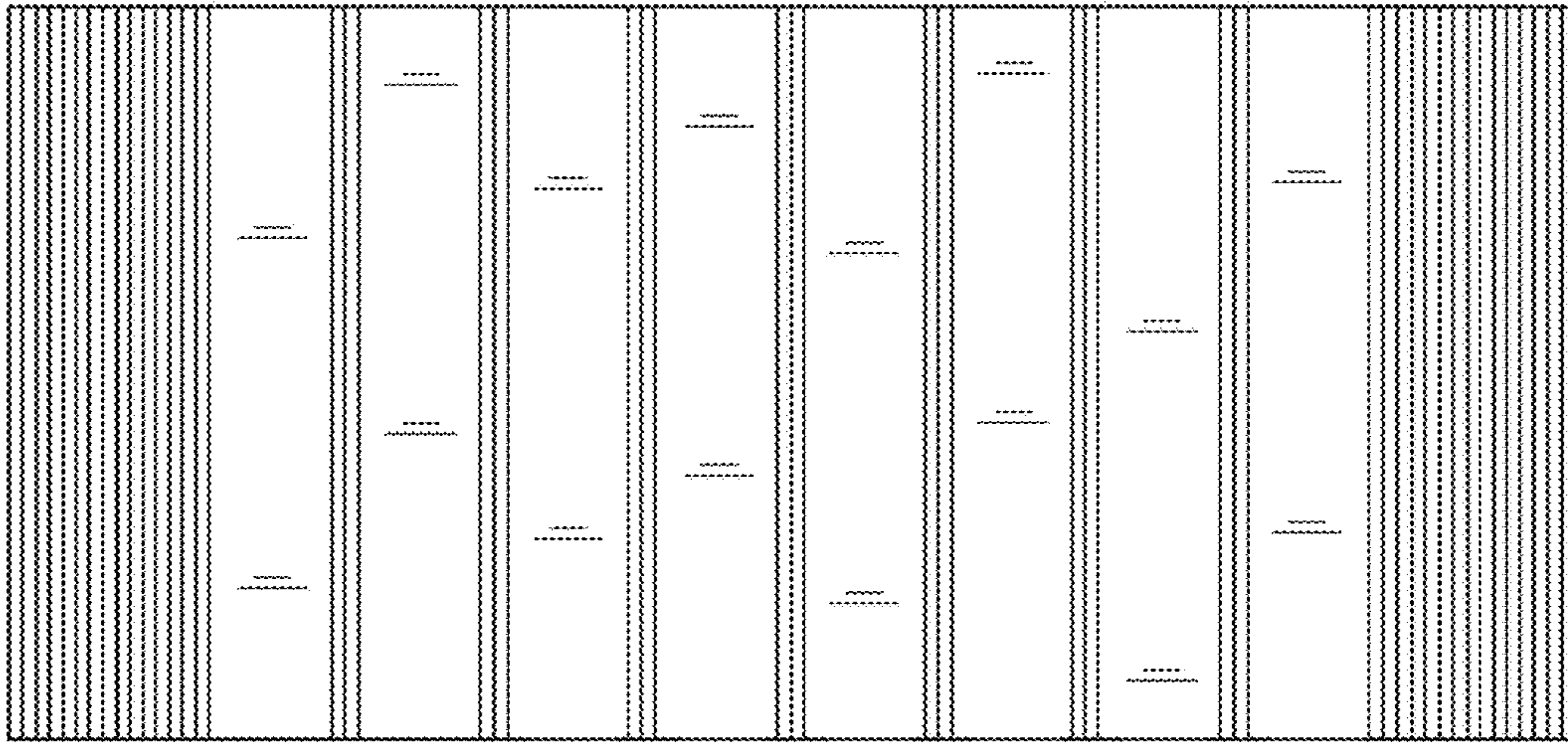


FIG. 6

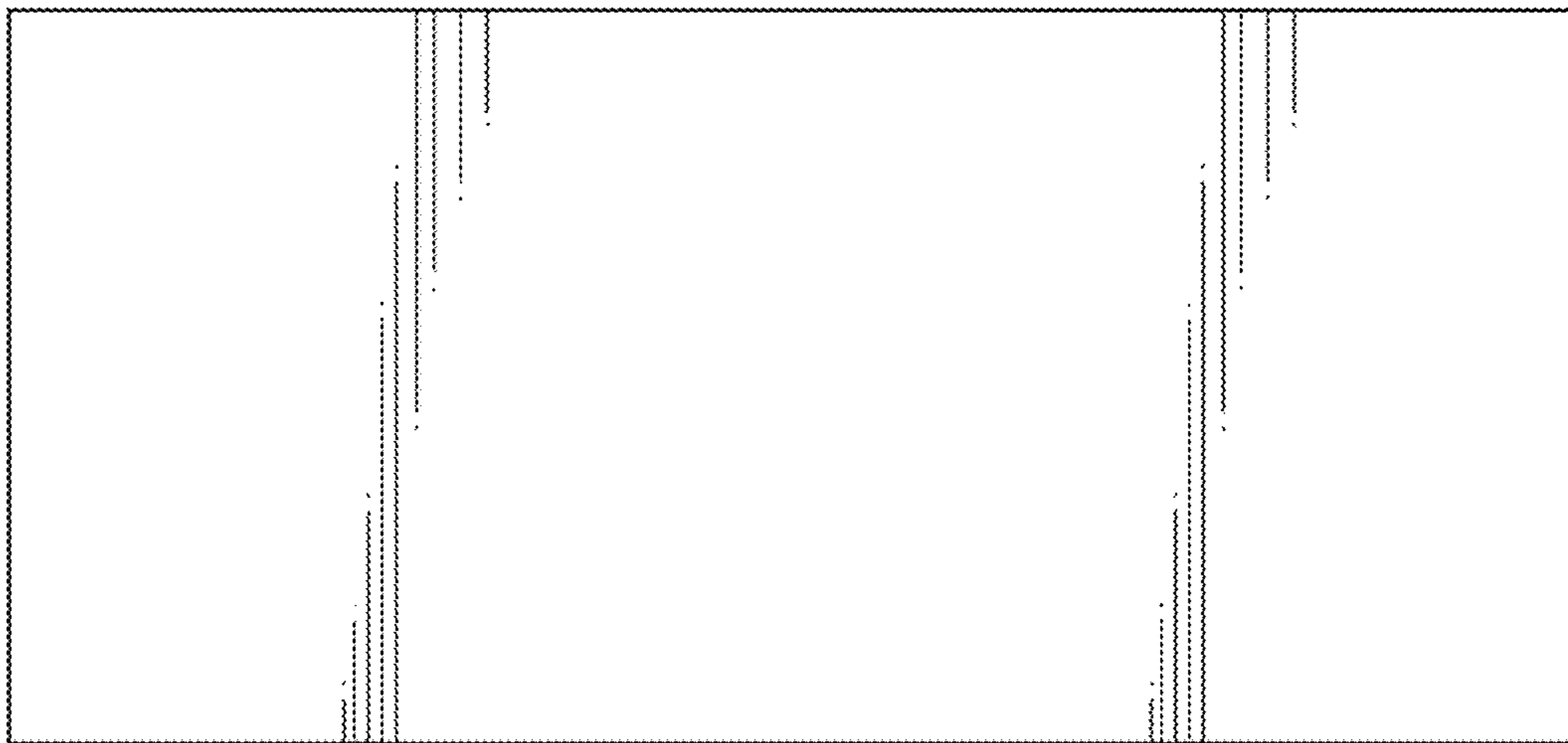


FIG. 7