



US00D811122S

(12) **United States Design Patent**
Goodman

(10) **Patent No.:** **US D811,122 S**
(45) **Date of Patent:** **** Feb. 27, 2018**

- (54) **SINK CRADLE**
- (71) Applicant: **Spectrum Diversified Designs, LLC**,
Streetsboro, OH (US)
- (72) Inventor: **Aaron Goodman**, Beachwood, OH
(US)
- (73) Assignee: **Spectrum Diversified Designs, LLC**,
Streetsboro, OH (US)
- (**) Term: **15 Years**
- (21) Appl. No.: **29/592,333**
- (22) Filed: **Jan. 30, 2017**
- (51) **LOC (11) Cl.** **07-05**
- (52) **U.S. Cl.**
USPC **D6/553**
- (58) **Field of Classification Search**
USPC D6/553, 566, 524, 525, 536-537, 540,
D6/567, 320; D3/306; D7/637;
D32/55-56; 211/13.1, 74, 71.01, 86.01,
211/75, 88.01, 90.01, 90.03, 106, 119,
211/126.1, 133.5, 181.1, 134, 87.01;
248/206.2-206.3
CPC .. B23P 17/04; A47K 1/09; A47K 1/08; A47K
3/281; F16B 7/00
See application file for complete search history.

D723,760 S *	3/2015	Goodman	D32/55
D762,397 S *	8/2016	Goodman	D6/537
D803,501 S *	11/2017	Goodman	D32/55

OTHER PUBLICATIONS

<https://www.spectrumdiversified.com>; Wright Collection; 1 page; at least as early as Jan. 17, 2017.

* cited by examiner

Primary Examiner — Wan Laymon
Assistant Examiner — Mark Booker

(74) *Attorney, Agent, or Firm* — Tucker Ellis LLP;
Patrick F. Clunk

(57) **CLAIM**

The ornamental design for a sink cradle, as shown and described.

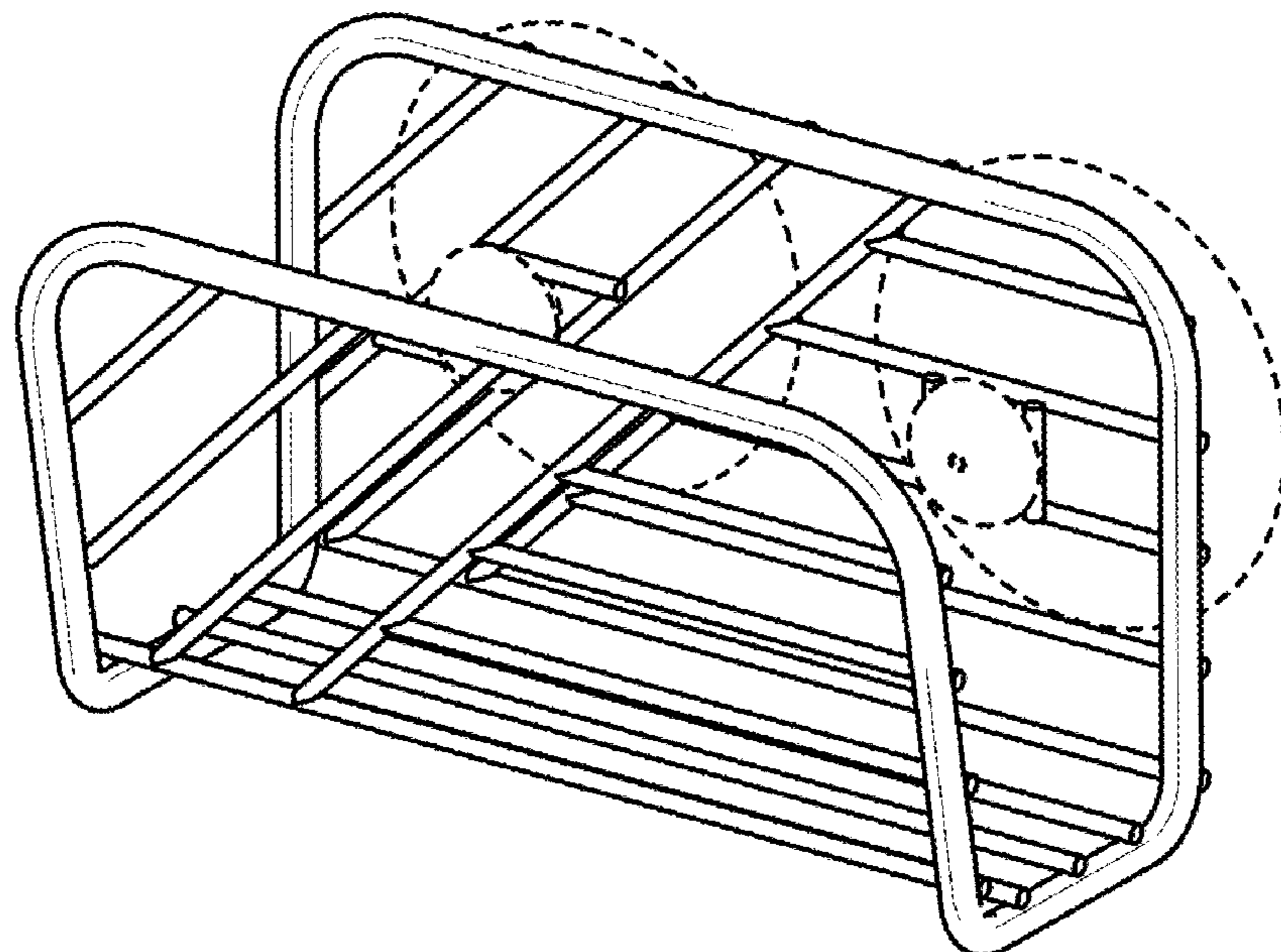
DESCRIPTION

FIG. 1 is a perspective view of a sink cradle showing my new design.
 FIG. 2 is a front view thereof.
 FIG. 3 is a rear view thereof.
 FIG. 4 is a left side view thereof.
 FIG. 5 is a right side view thereof.
 FIG. 6 is a top view thereof; and,
 FIG. 7 is a bottom view thereof.
 The broken lines shown in the figures represent portions of the sink cradle that form no part of the claimed design.

(56) **References Cited**
U.S. PATENT DOCUMENTS

D322,002 S *	12/1991	Emery	D6/566
D453,651 S *	2/2002	Snell	D6/537

1 Claim, 4 Drawing Sheets



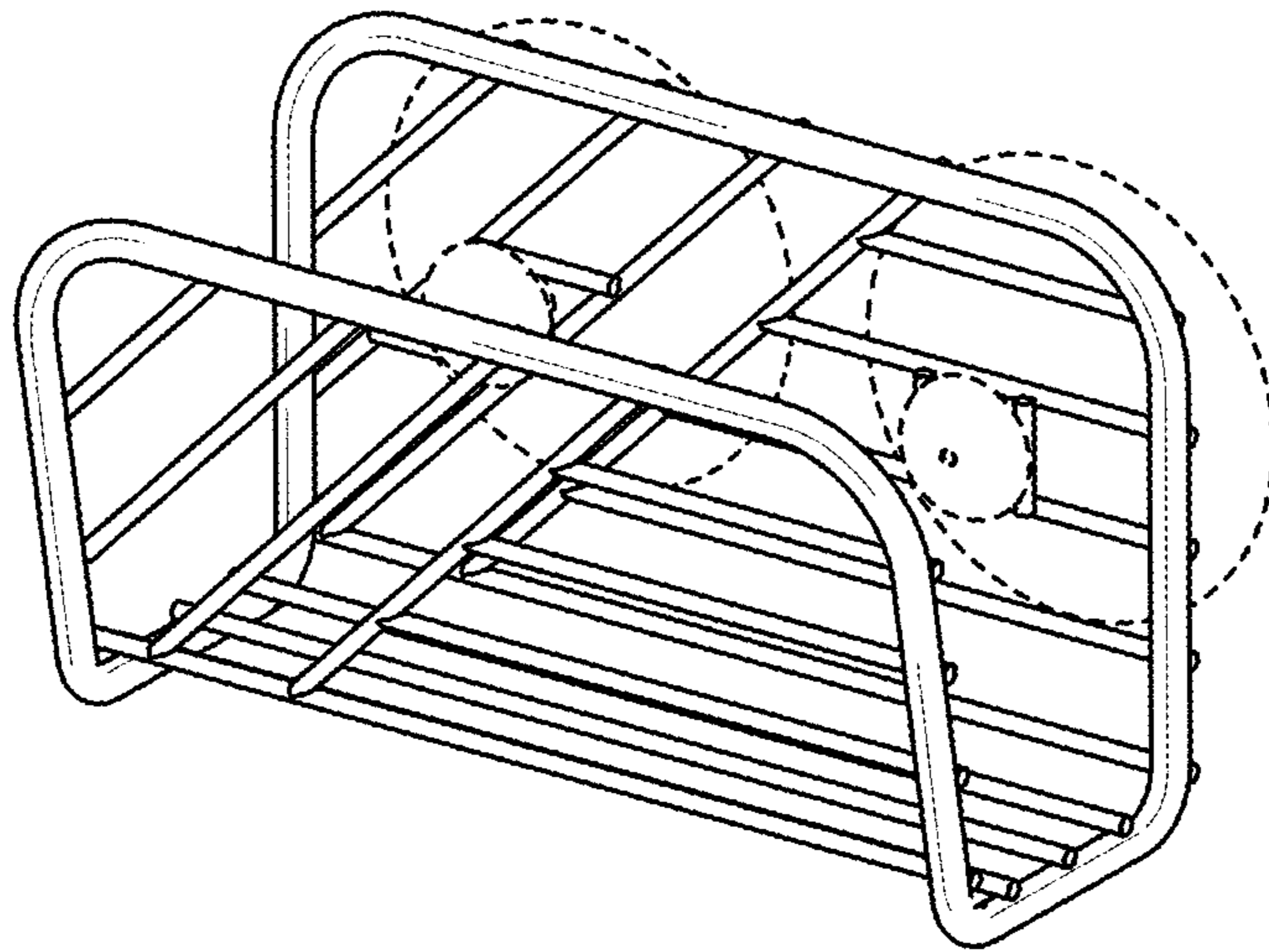


FIG. 1

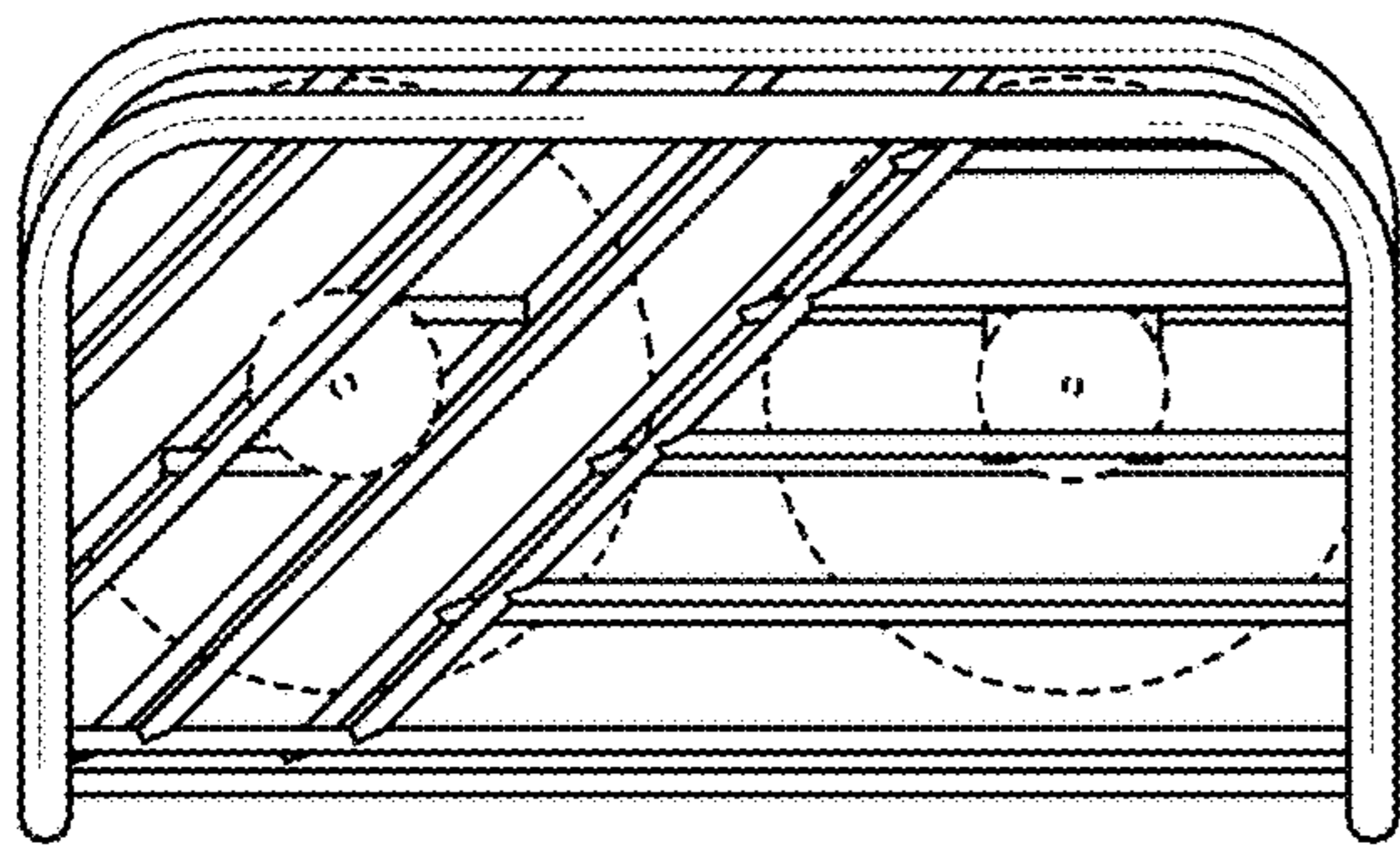


FIG. 2

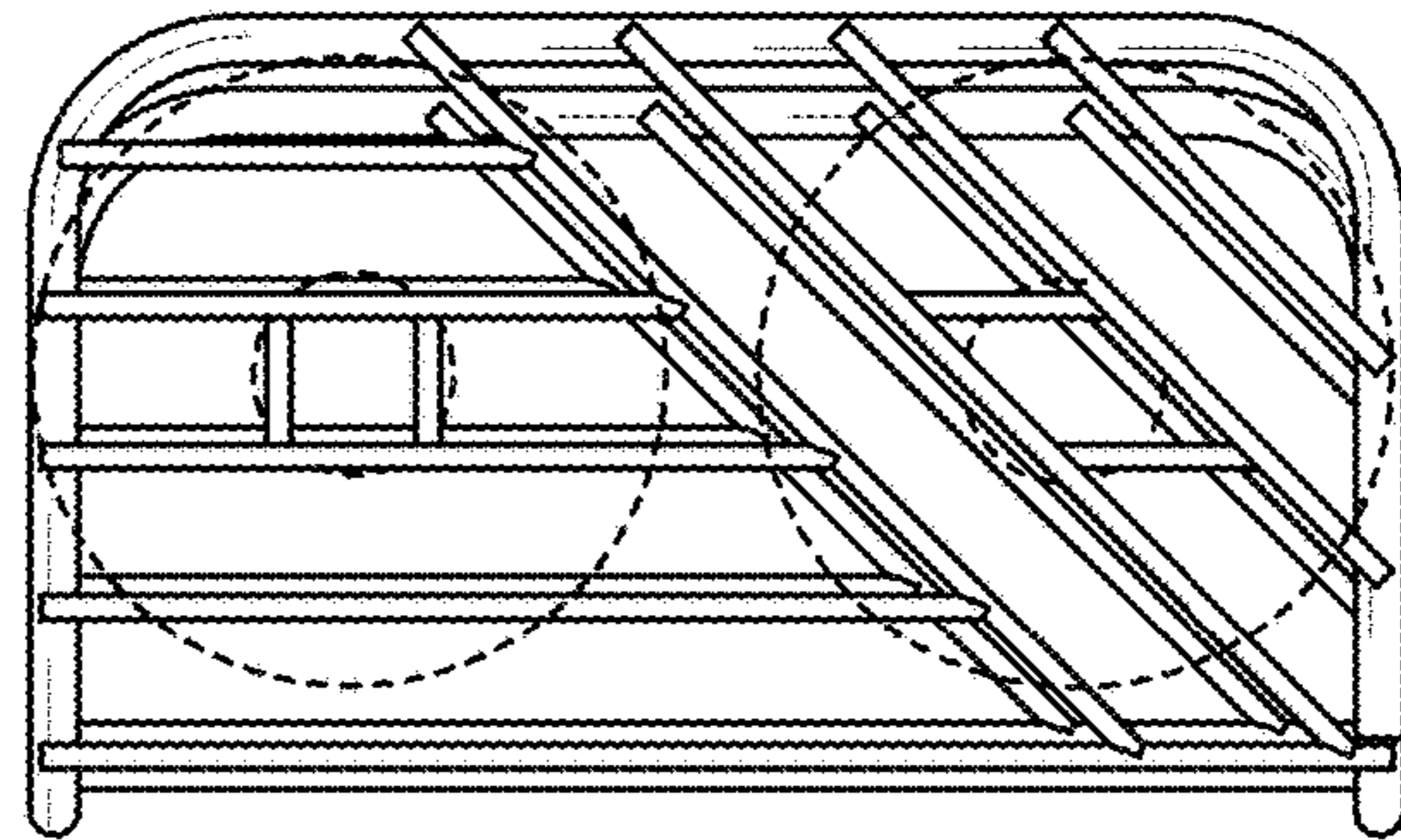


FIG. 3

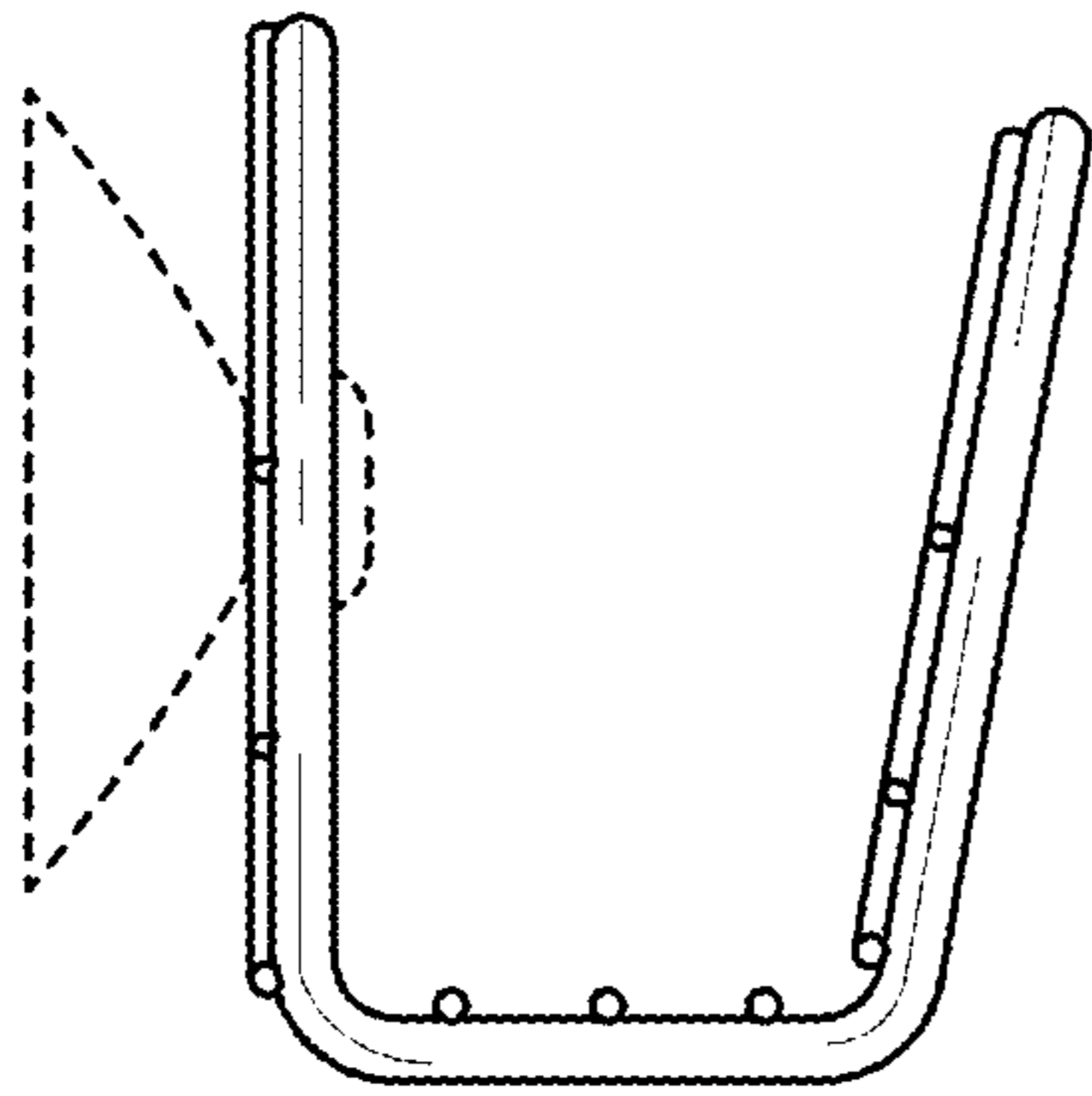


FIG. 4

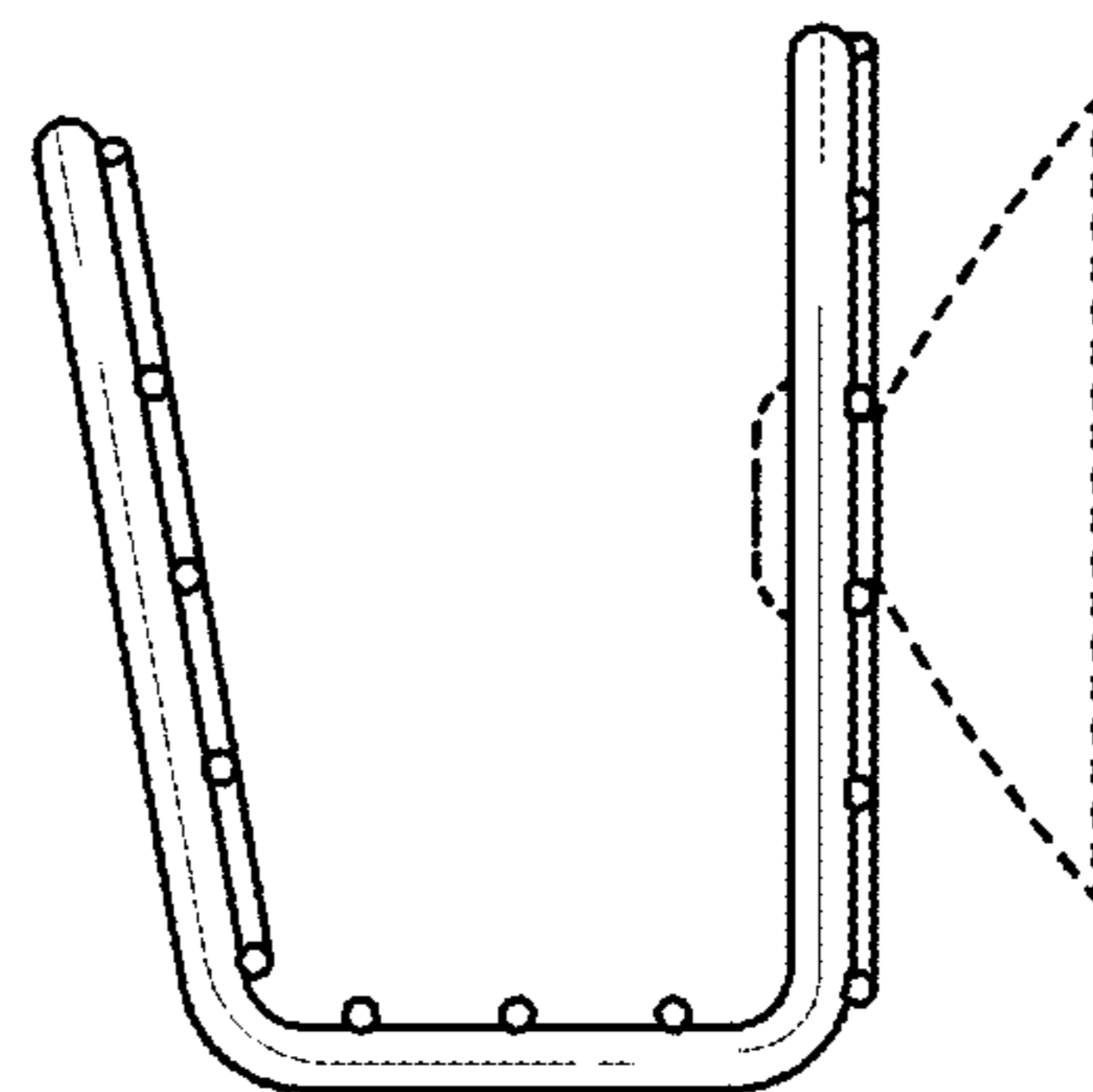


FIG. 5

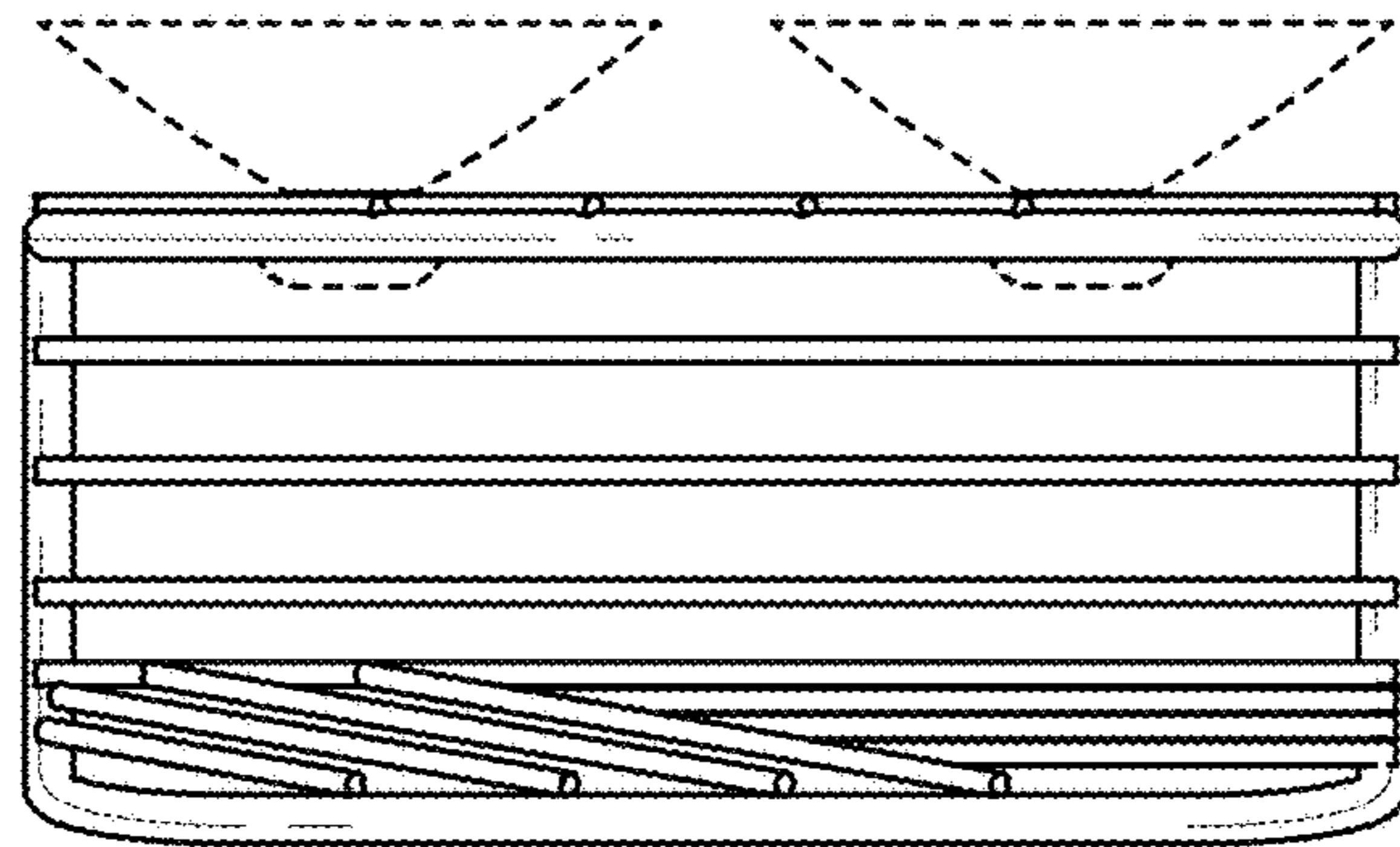


FIG. 6

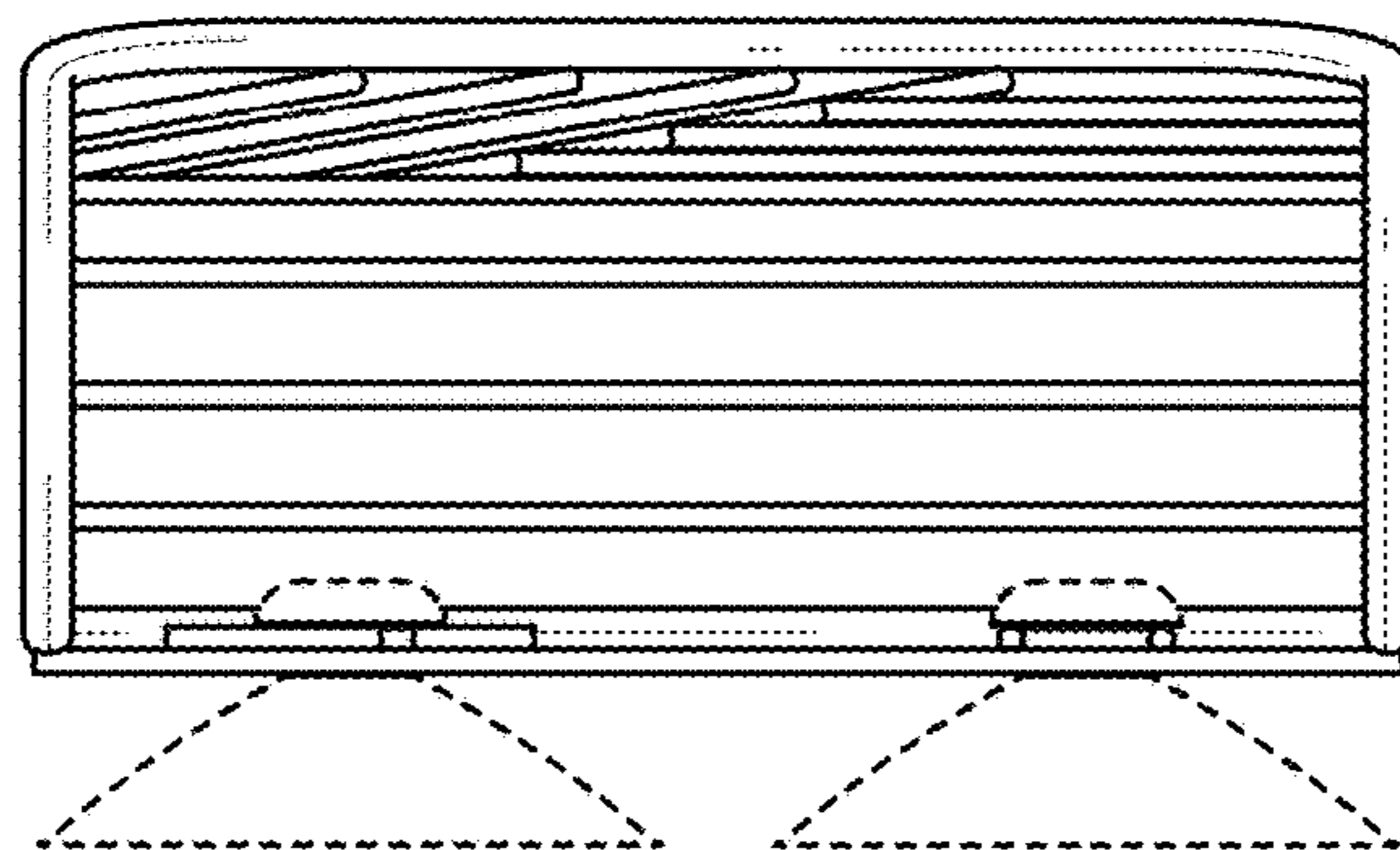


FIG. 7