



US00D811121S

(12) **United States Design Patent**
Goodman et al.

(10) **Patent No.:** **US D811,121 S**
(45) **Date of Patent:** **** Feb. 27, 2018**

(54) **TOWEL BAR AND BASKET**

A47B 63/00; A47B 67/00; A47B 81/04;
A47B 96/021; A47B 96/065

(71) Applicant: **Spectrum Diversified Designs, LLC**,
Streetsboro, OH (US)

See application file for complete search history.

(72) Inventors: **Aaron Goodman**, Beachwood, OH
(US); **Wenyue Wang**, Stow, OH (US)

(56) **References Cited**

(73) Assignee: **Spectrum Diversified Designs, LLC**,
Streetsboro

U.S. PATENT DOCUMENTS

D322,378 S * 12/1991 Colman D3/306
D407,930 S * 4/1999 Camilleri D3/306
D498,632 S * 11/2004 Anderson D6/566

(Continued)

(**) Term: **15 Years**

OTHER PUBLICATIONS

(21) Appl. No.: **29/596,801**

Spectrum Diversified website, Grid over the cabinet towel bar and small basket, Nov. 6, 2017, <https://www.spectrumdiversified.com/products/Grid-Over-Cabinet-Towel-Bar-Small-Basket> (Year: 2017).*

(22) Filed: **Mar. 10, 2017**

(51) **LOC (11) Cl.** **06-04**

(52) **U.S. Cl.**
USPC **D6/549**; D6/553

Primary Examiner — David G Muller
Assistant Examiner — Nathan M Johnston
(74) *Attorney, Agent, or Firm* — Tucker Ellis LLP;
Patrick F. Clunk

(58) **Field of Classification Search**

USPC D6/553, 546–550, 512–525; 211/13.1,
211/16, 85.5, 86.01, 87.01, 88.04, 100,
211/105.1, 105.2, 106, 113, 123, 181.1,
211/182–183; 248/49, 175, 176.1, 200,
248/201, 205.1, 251, 302, 309.1, 315;
108/28–29; 242/570, 590, 595–598;
D8/300, 315–321, 354, 363, 373, 380;
D25/45; D26/51; D3/304, 306
CPC .. A47F 5/01; A47F 7/00; A47F 7/0028; A47F
5/0006; A47F 5/0823; A47F 1/082; A47F
1/121; A47F 5/02; A47F 5/0846; A47F
5/137; A47F 7/0064; A47F 7/065; A47F
3/0404; A47F 5/0018; A47F 5/0025;
A47F 5/0037; A47B 55/02; A47B 81/00;
A47B 81/007; A47B 13/14; A47B
2097/003; A47B 2200/0008; A47B 45/00;
A47B 49/00; A47B 57/00; A47B 57/04;

(57) **CLAIM**

The ornamental design for a towel bar and basket, as shown and described.

DESCRIPTION

FIG. 1 is a perspective view of a towel bar and basket showing our new design.
FIG. 2 is a front elevation view thereof.
FIG. 3 is a rear elevation view thereof.
FIG. 4 is a left side elevation view thereof.
FIG. 5 is a right side elevation view thereof.
FIG. 6 is a top plan view thereof.
FIG. 7 is a bottom plan view thereof.
FIG. 8 is a perspective view of a second embodiment of a towel bar and basket showing our new design.
FIG. 9 is a front elevation view thereof.
FIG. 10 is a rear elevation view thereof.
FIG. 11 is a left side elevation view thereof.
FIG. 12 is a right side elevation view thereof.

(Continued)

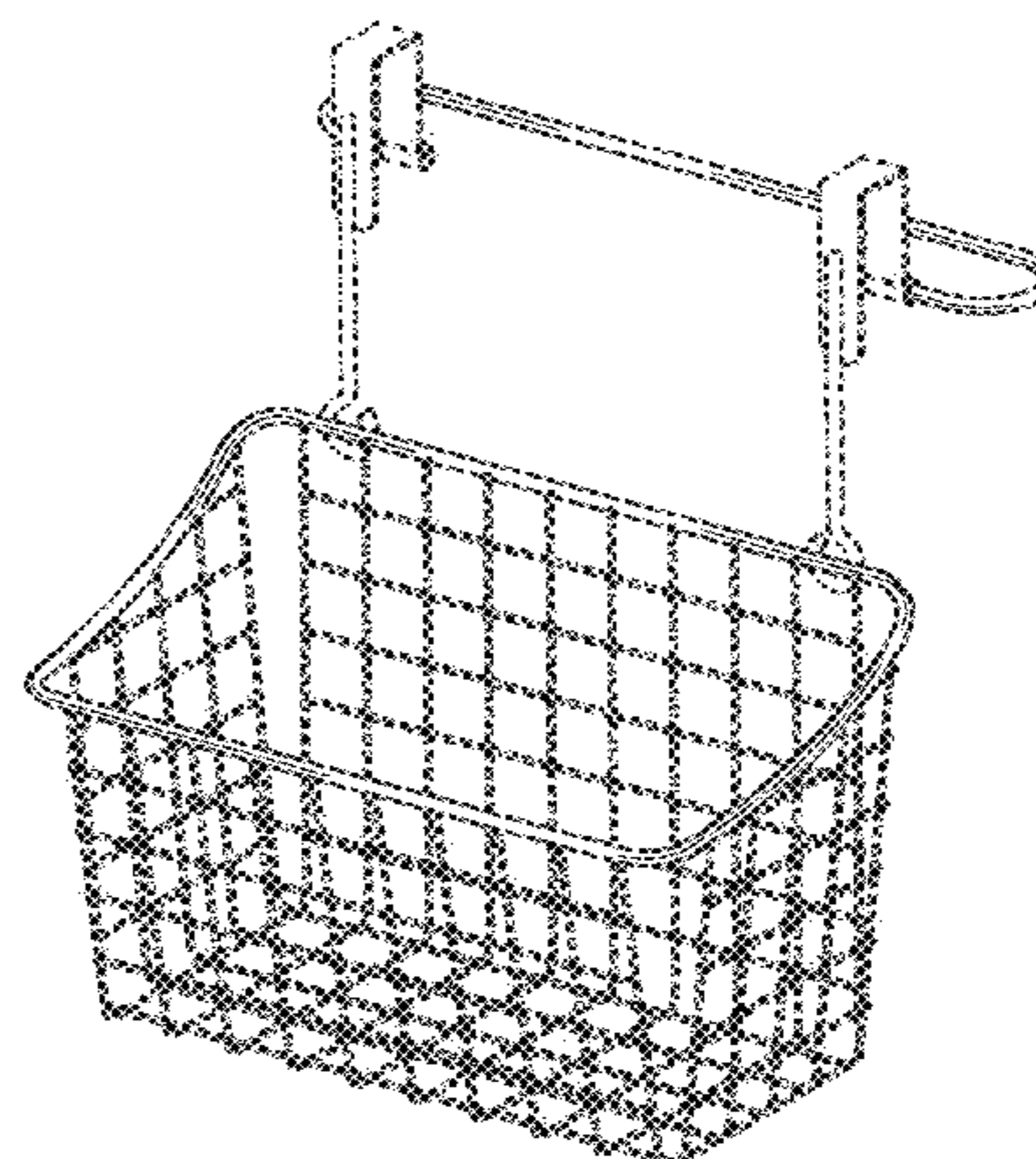
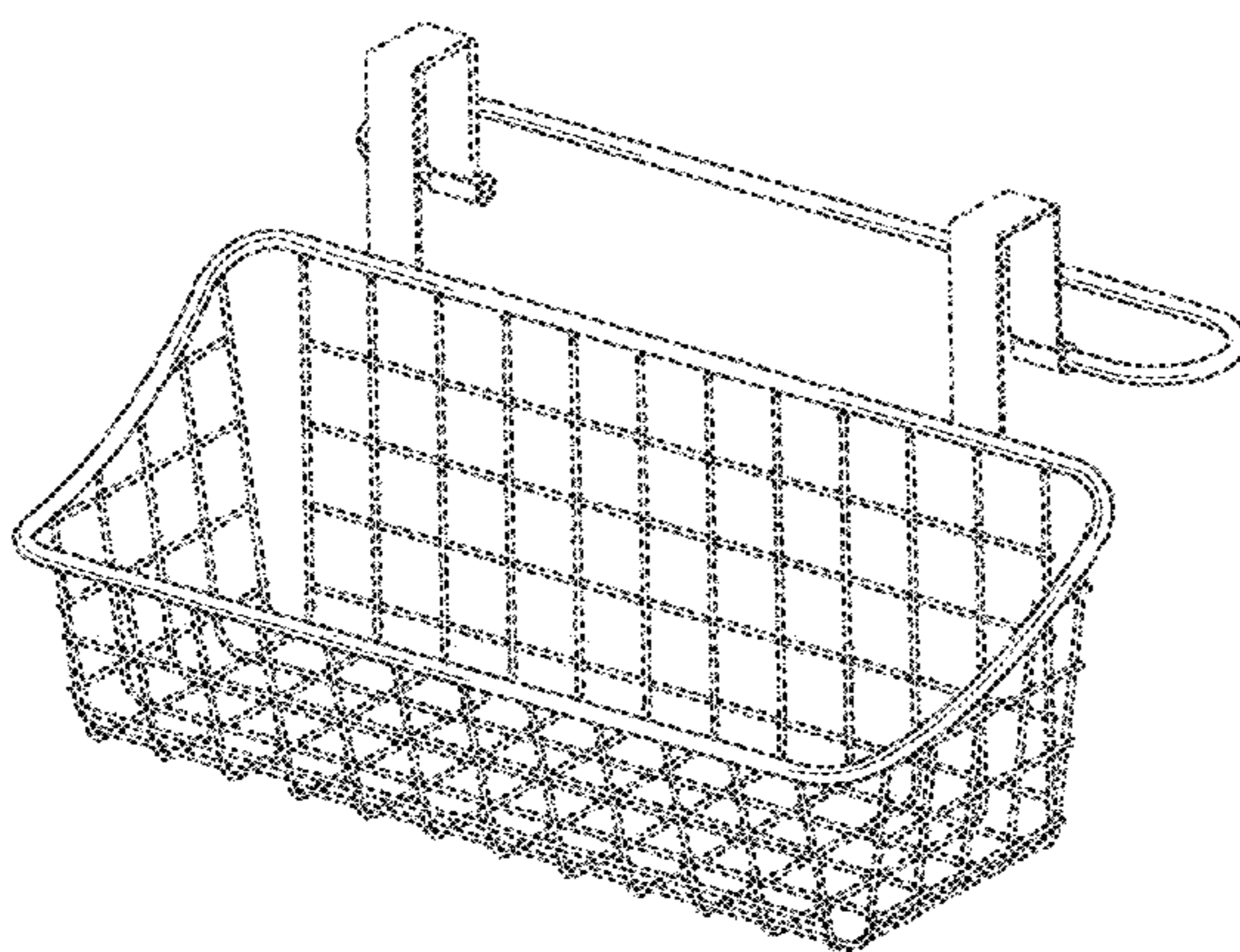


FIG. 13 is a top plan view thereof; and,
FIG. 14 is a bottom plan view thereof.
The broken lines show portions of the design that form no
part of the claimed design.

1 Claim, 8 Drawing Sheets

(56)

References Cited

U.S. PATENT DOCUMENTS

D508,167 S *	8/2005	Anderson	D3/306
D584,056 S *	1/2009	Ghiorghie	D3/304
D588,814 S *	3/2009	Ghiorghie	D3/304
D690,108 S *	9/2013	Goodman	D3/306
D693,577 S	11/2013	Goodman		
D718,054 S *	11/2014	Goodman	D3/306
D720,538 S *	1/2015	Goodman	D3/304
D770,801 S *	11/2016	Goodman	D6/549
D773,206 S *	12/2016	Chang	D6/566
D786,557 S *	5/2017	Goodman	D3/306
2003/0173387 A1 *	9/2003	Mitchell	B60R 9/06 224/499

* cited by examiner

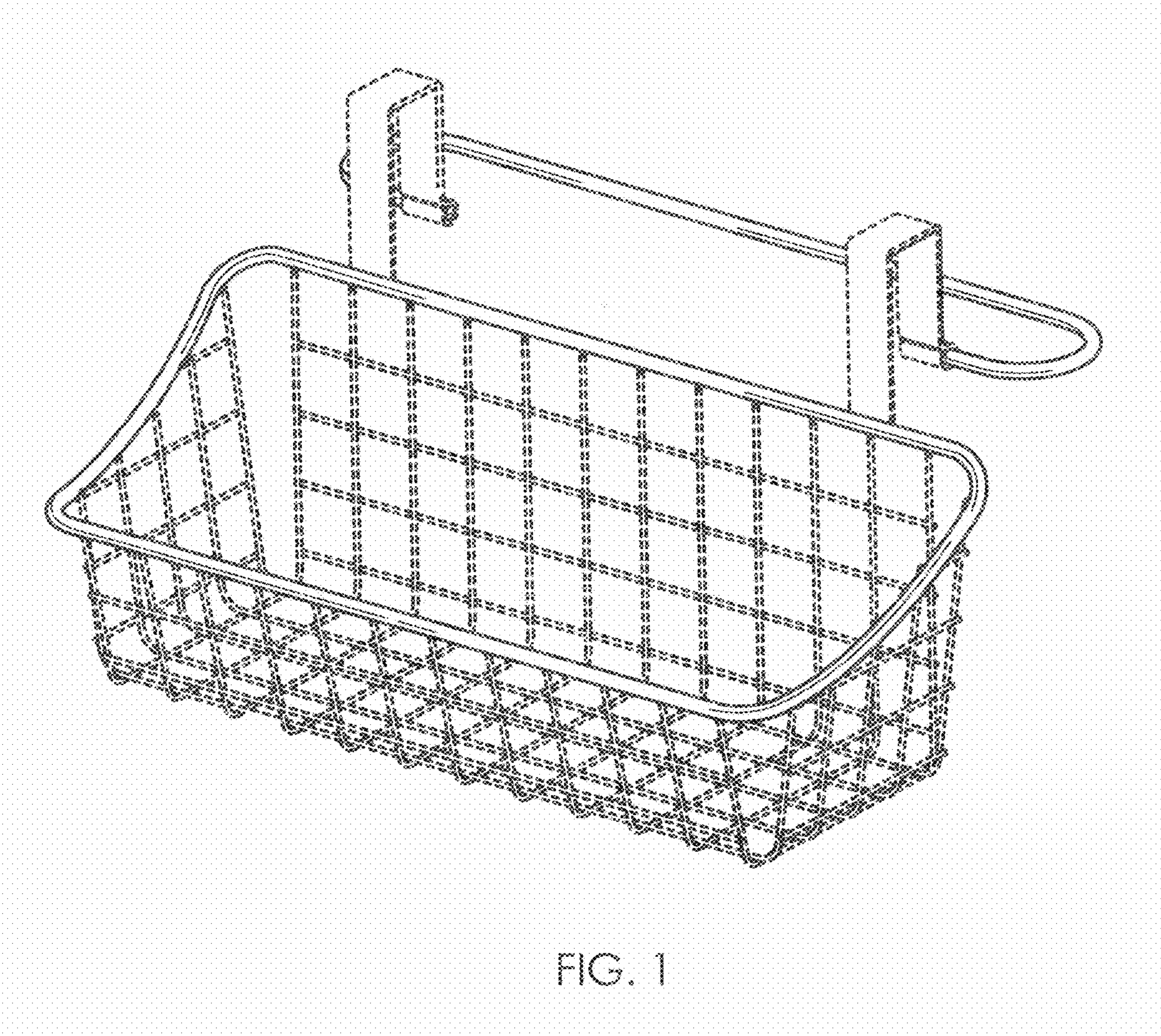


FIG. 1

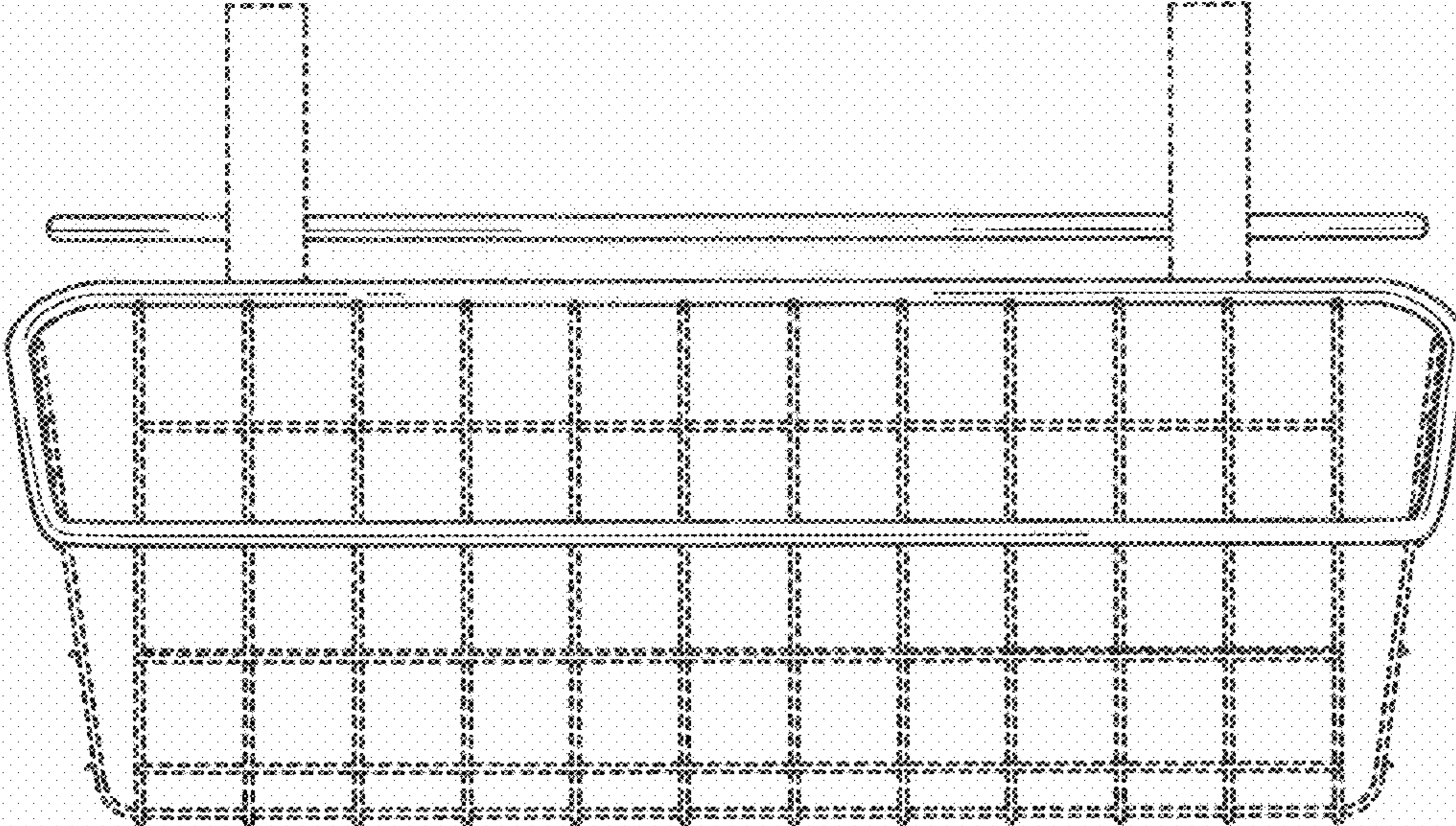


FIG. 2

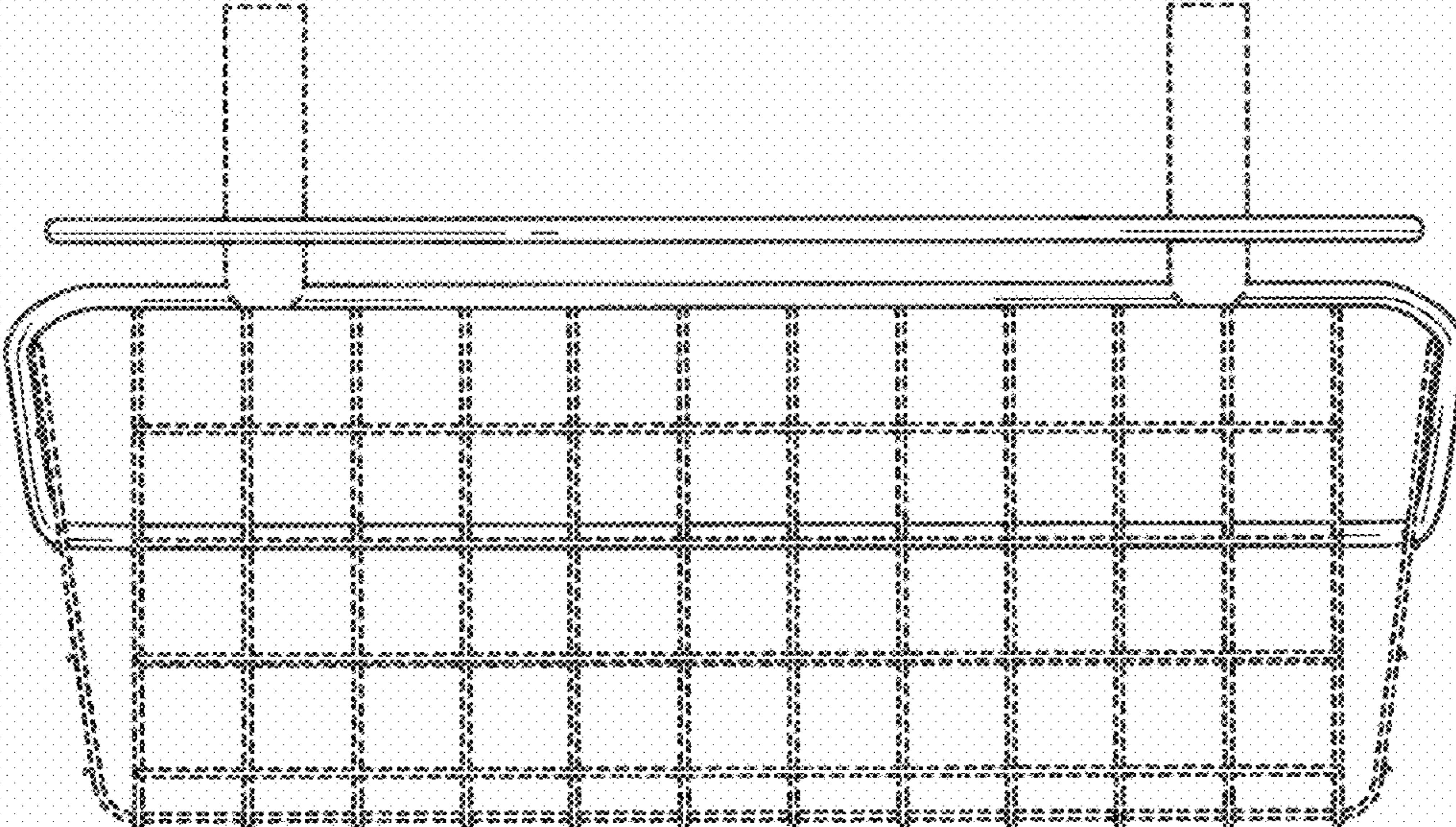


FIG. 3

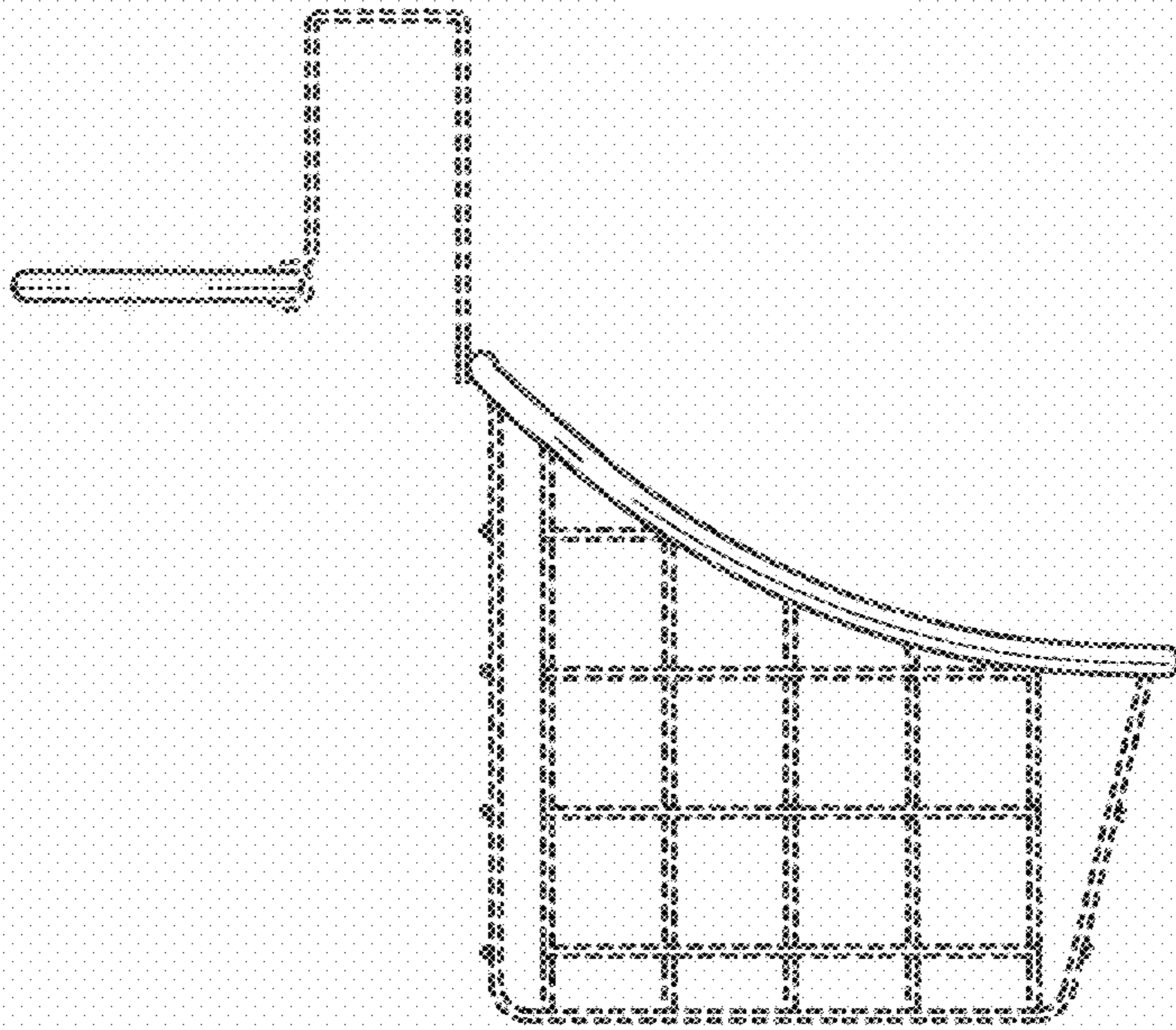


FIG. 4

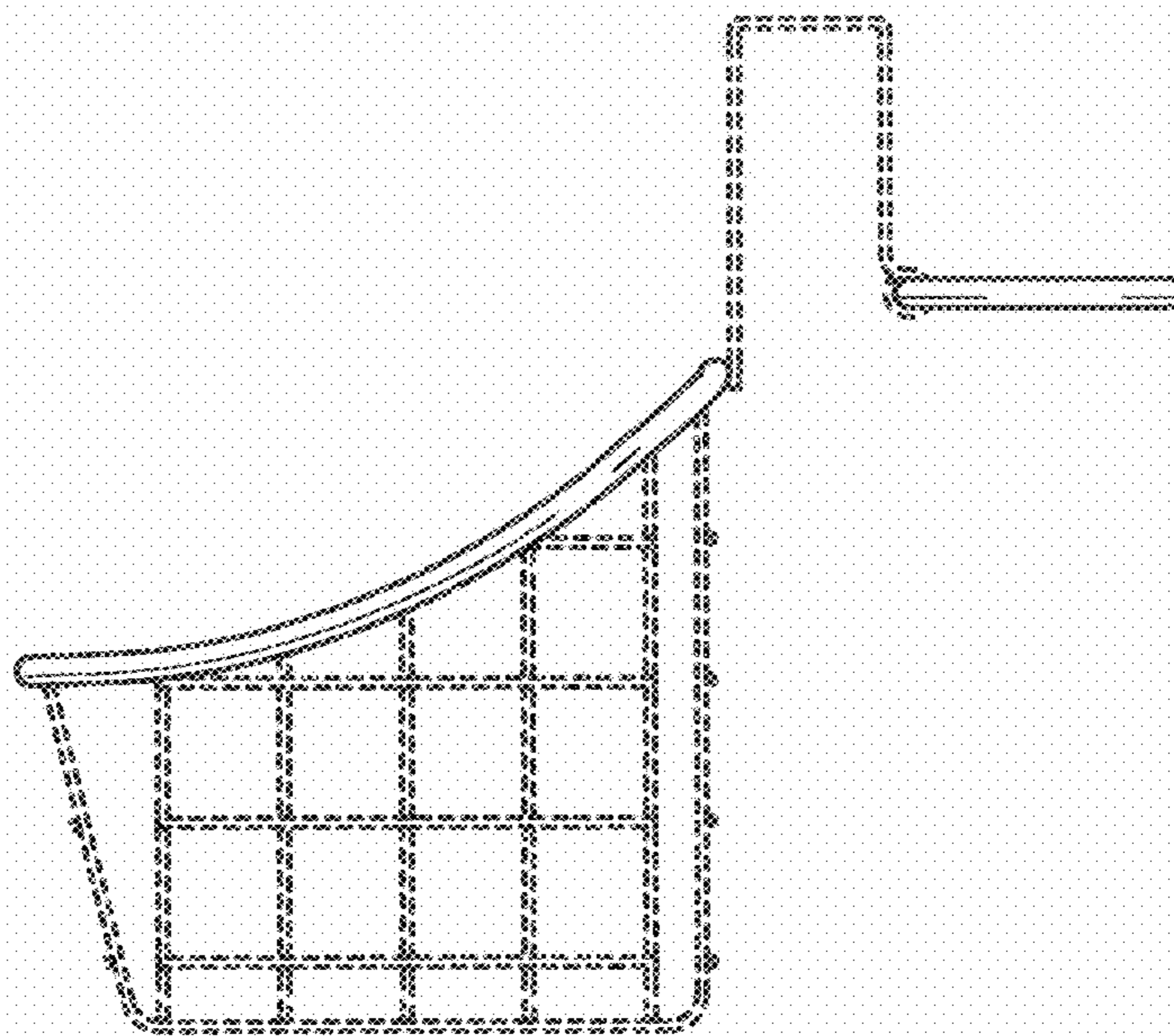


FIG. 5

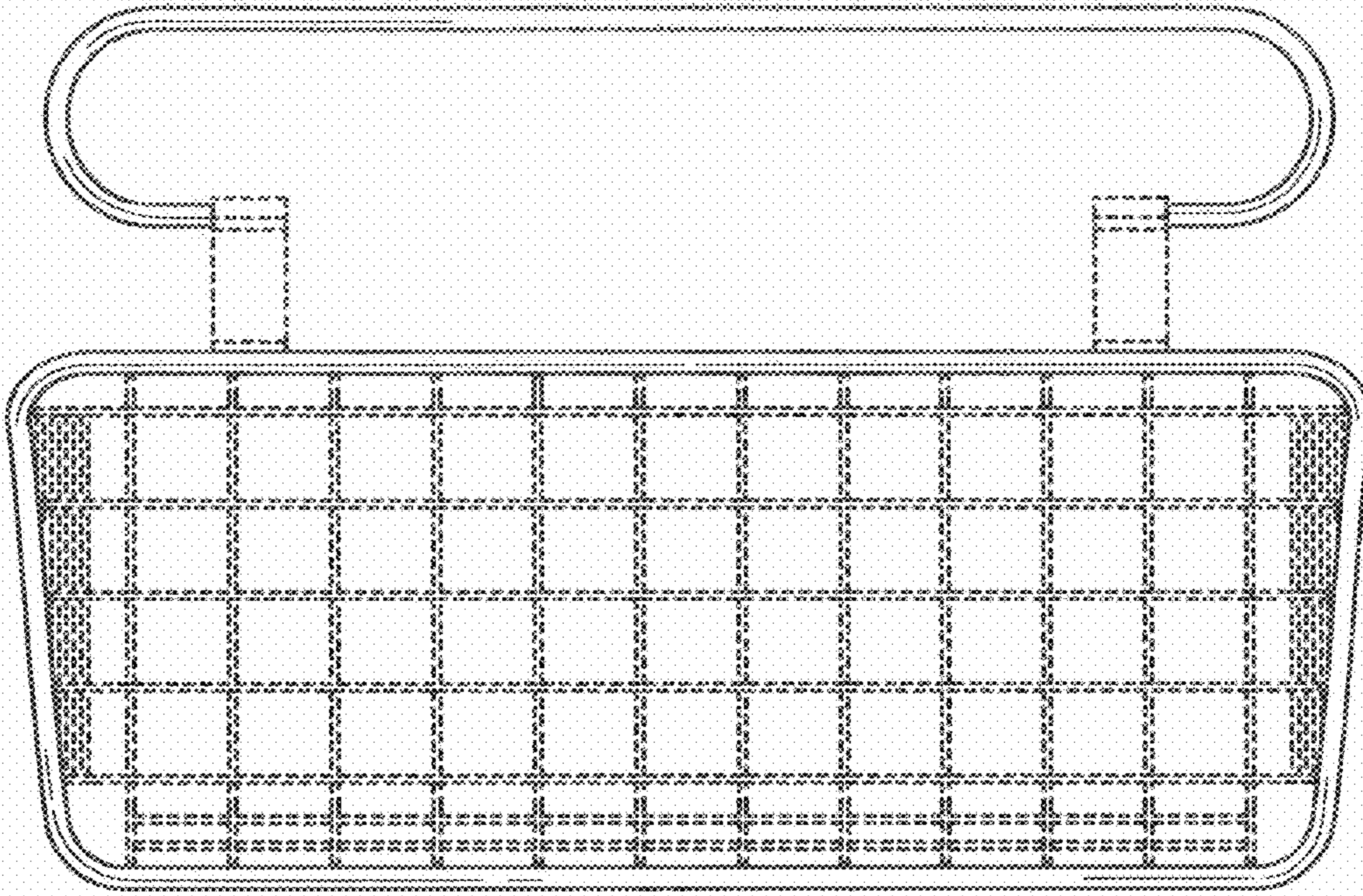


FIG. 6

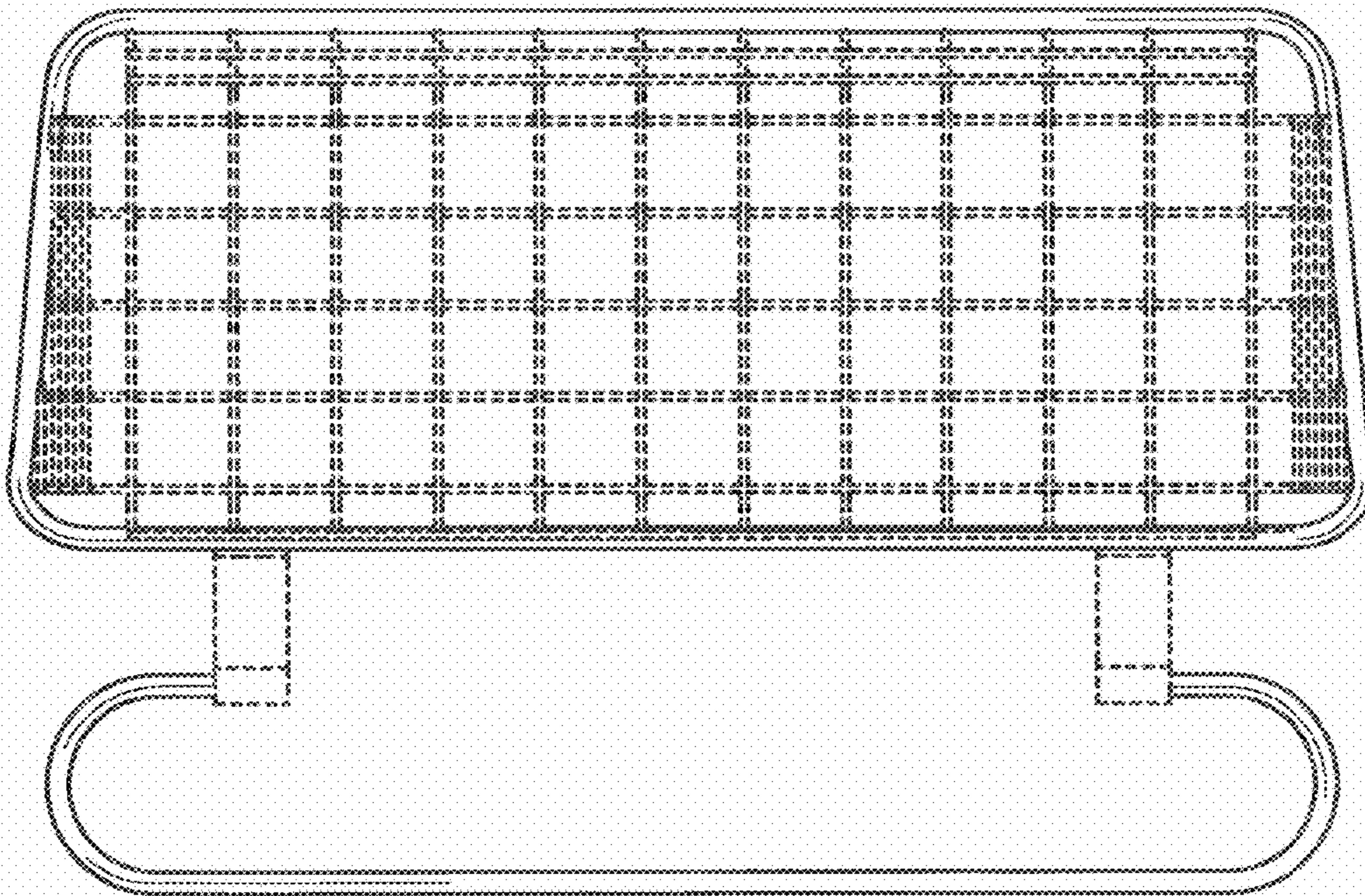


FIG. 7

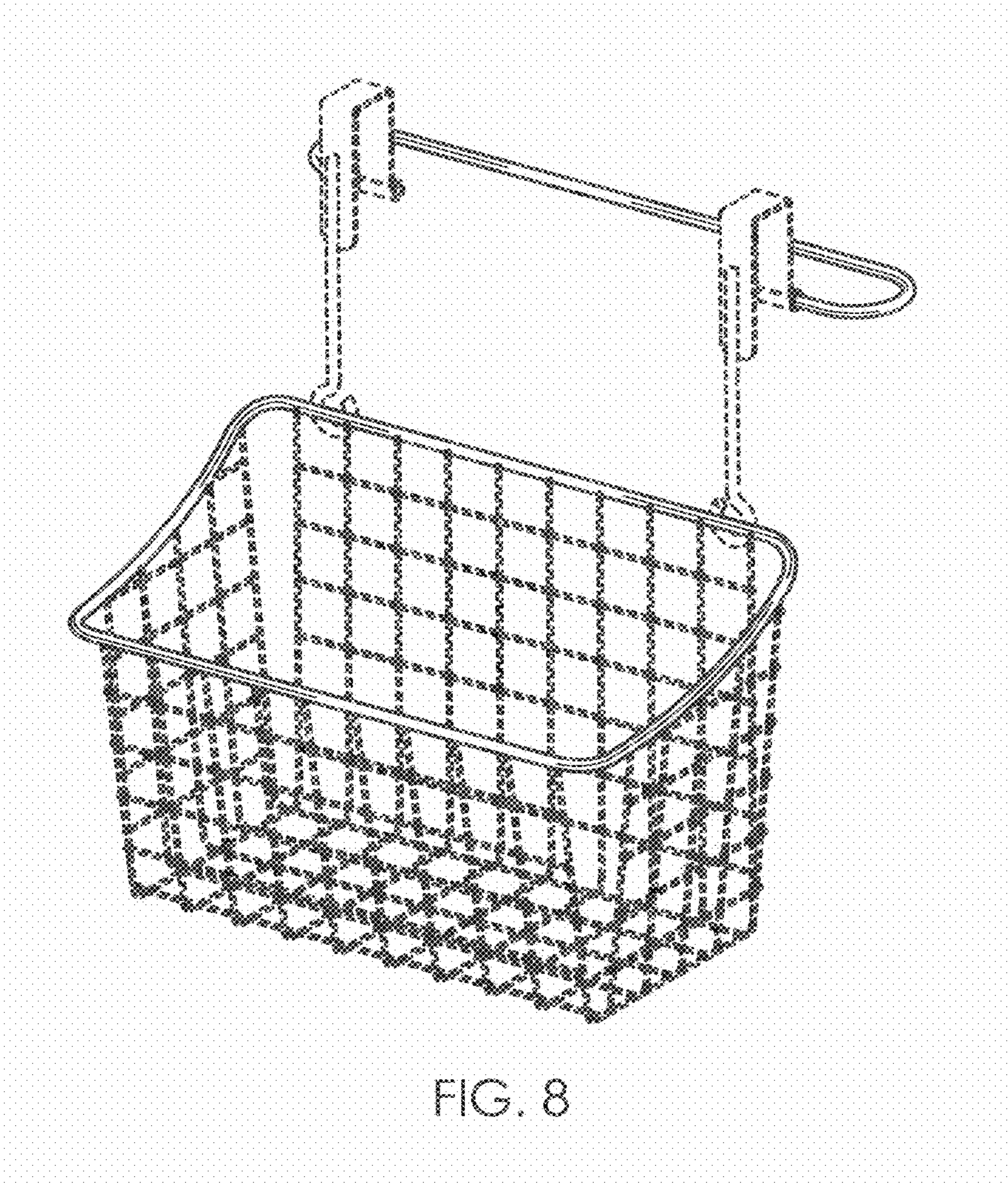


FIG. 8

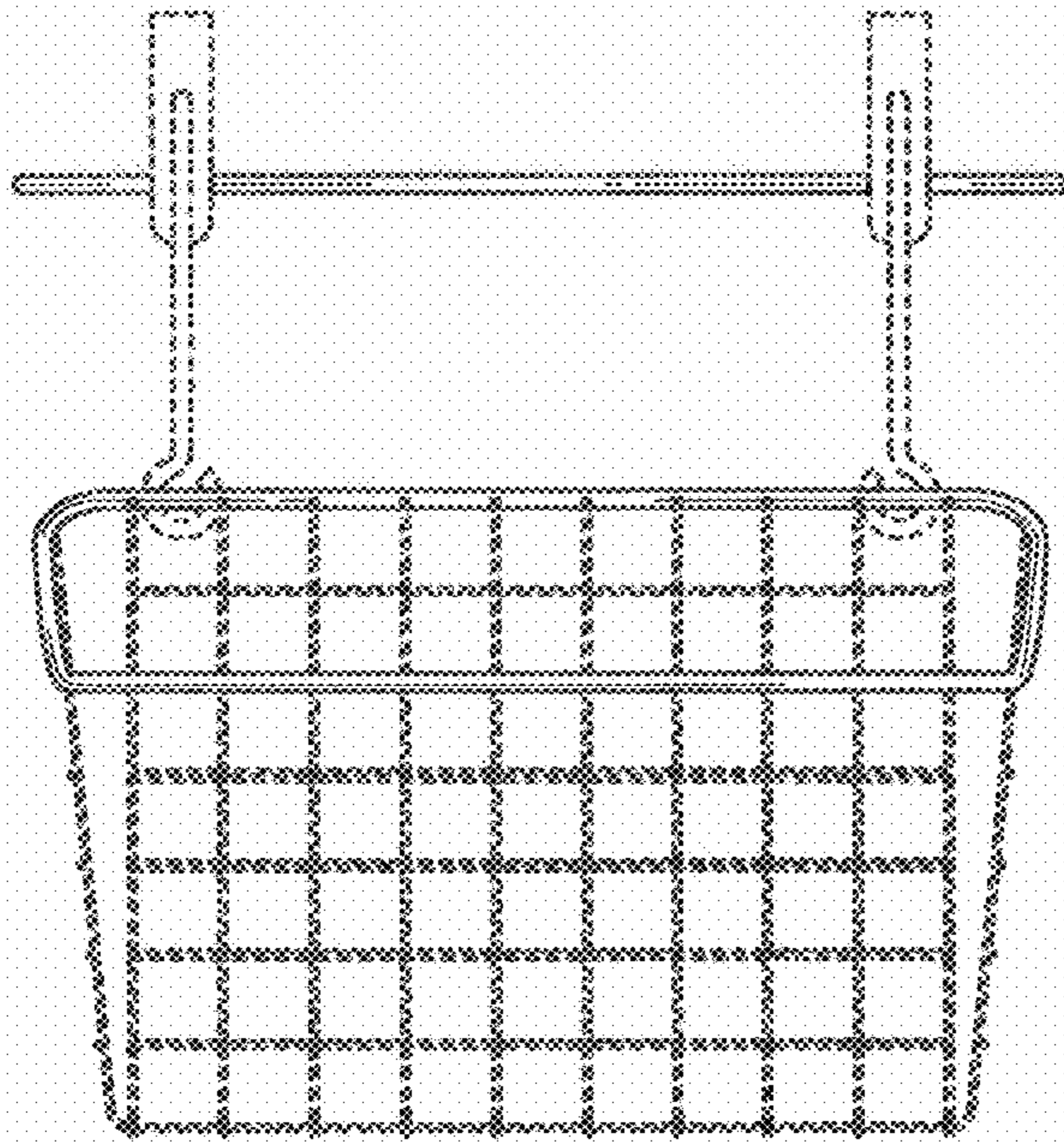


FIG. 9

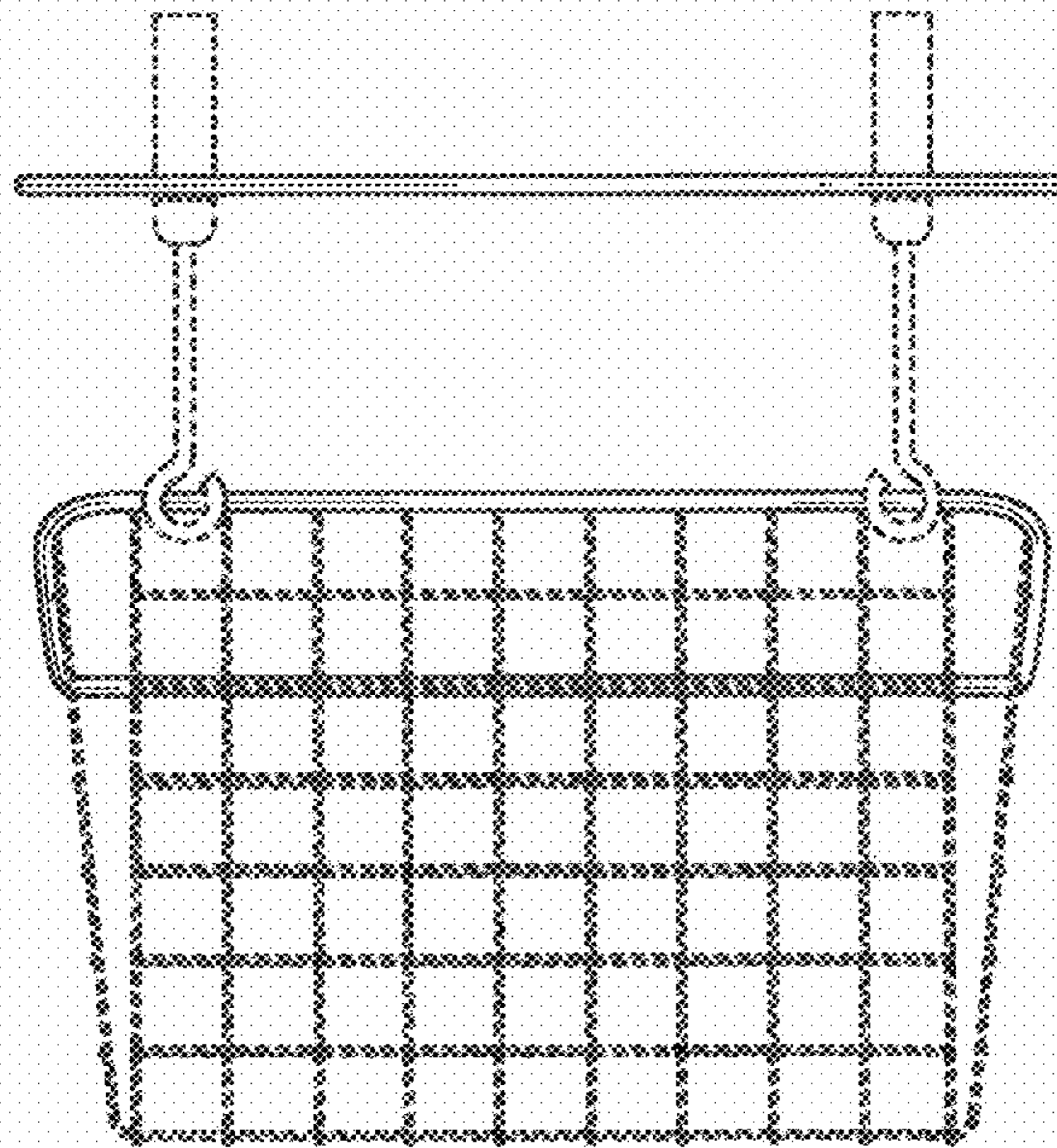


FIG. 10

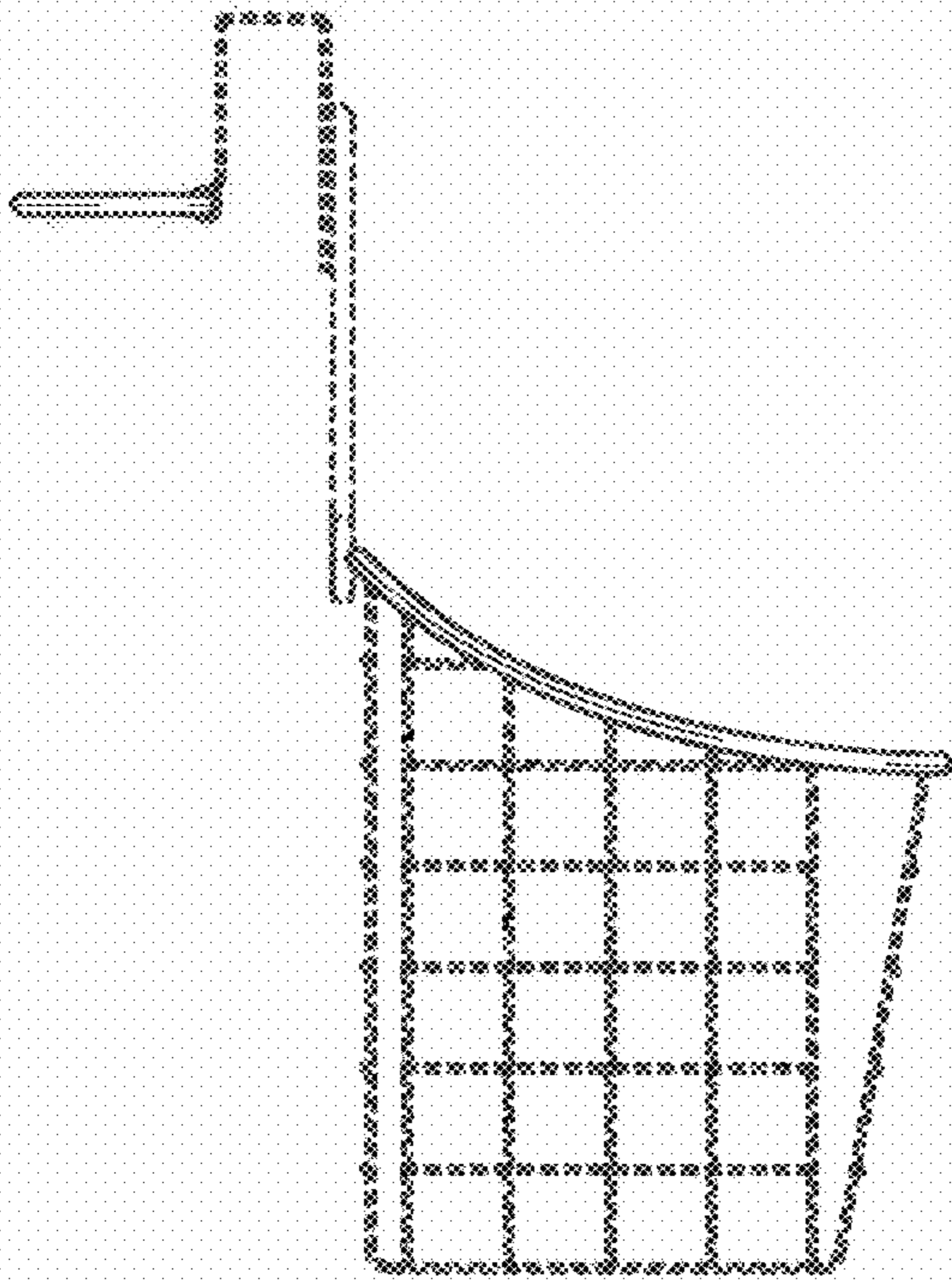


FIG. 11

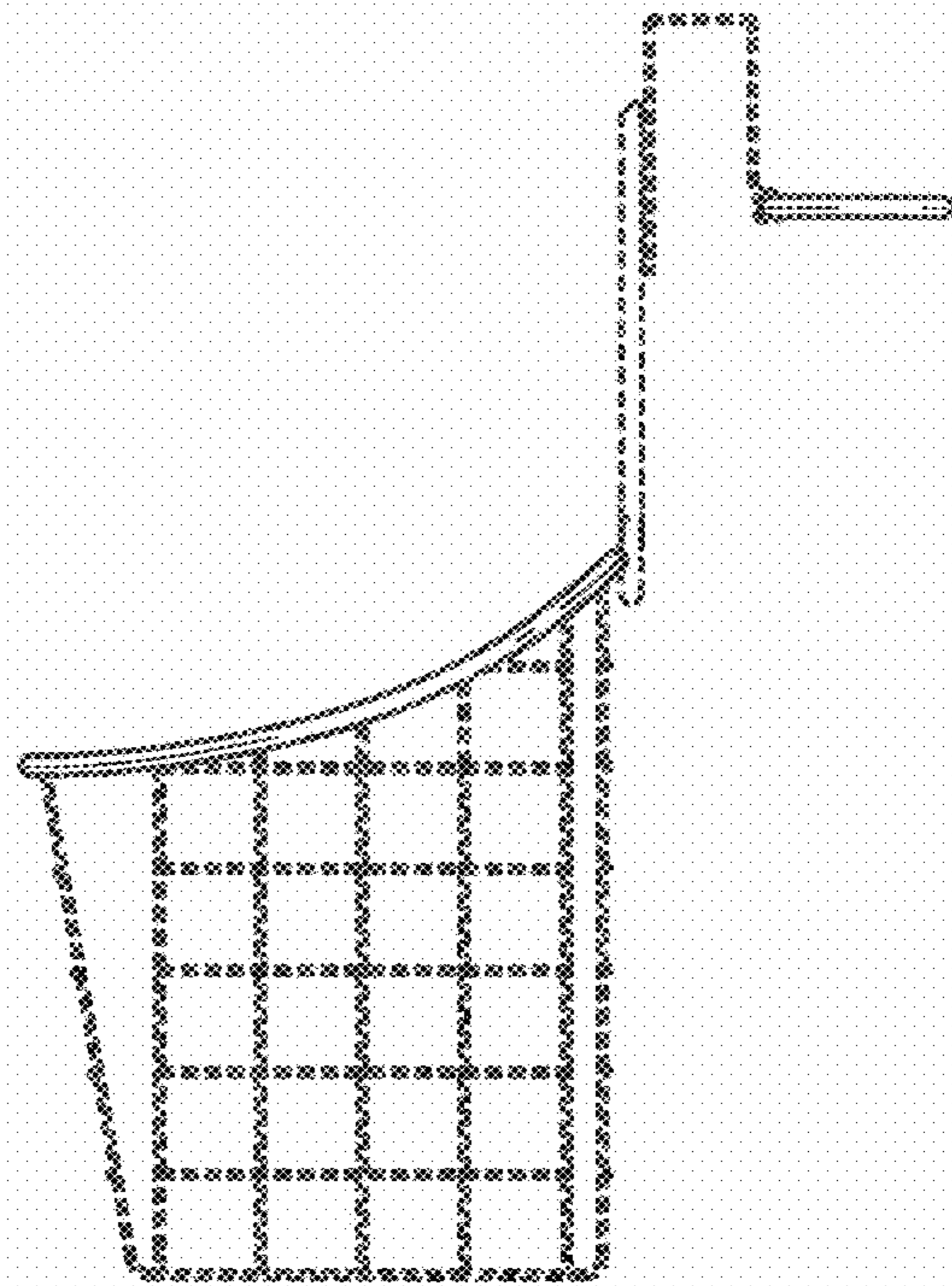


FIG. 12

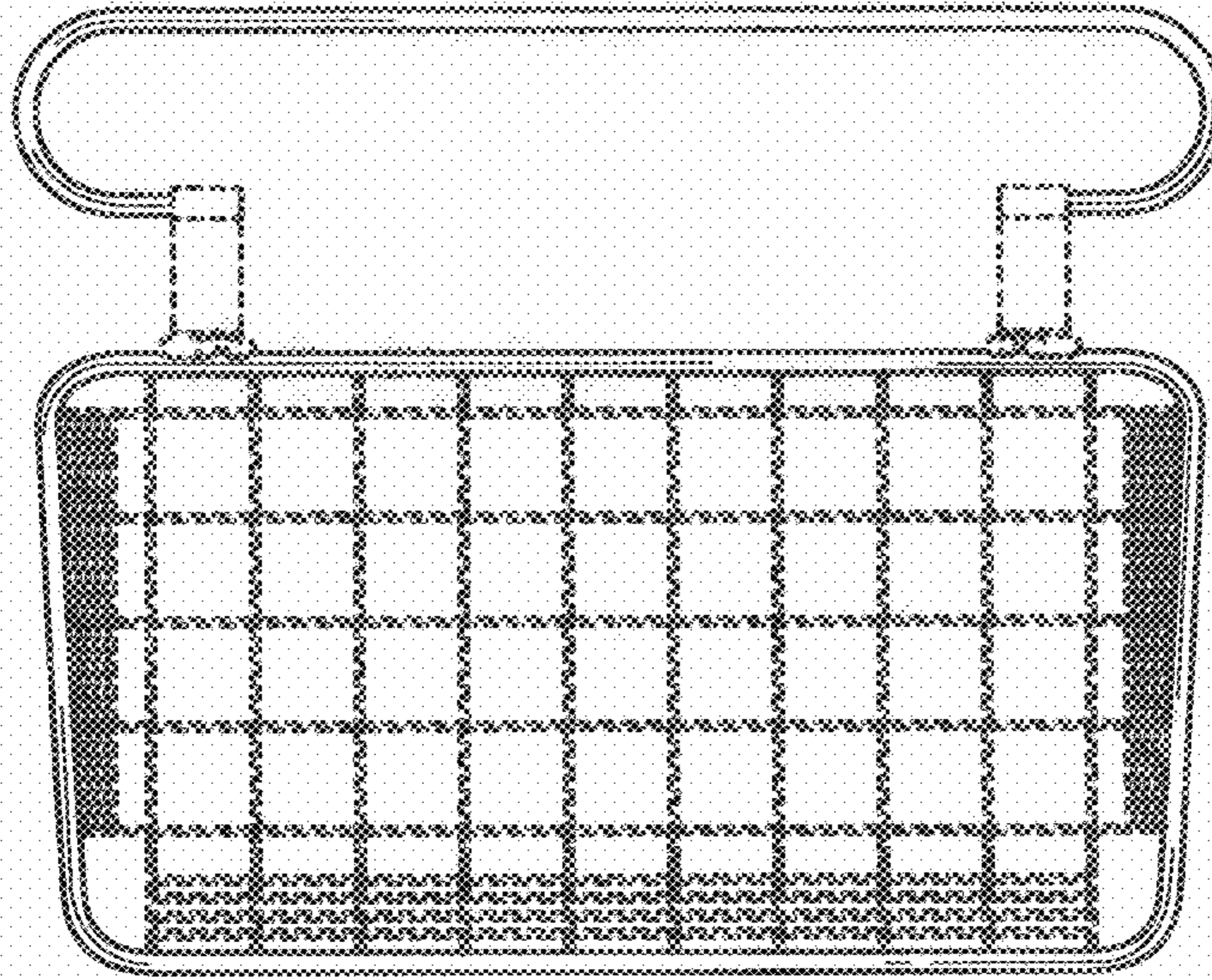


FIG. 13

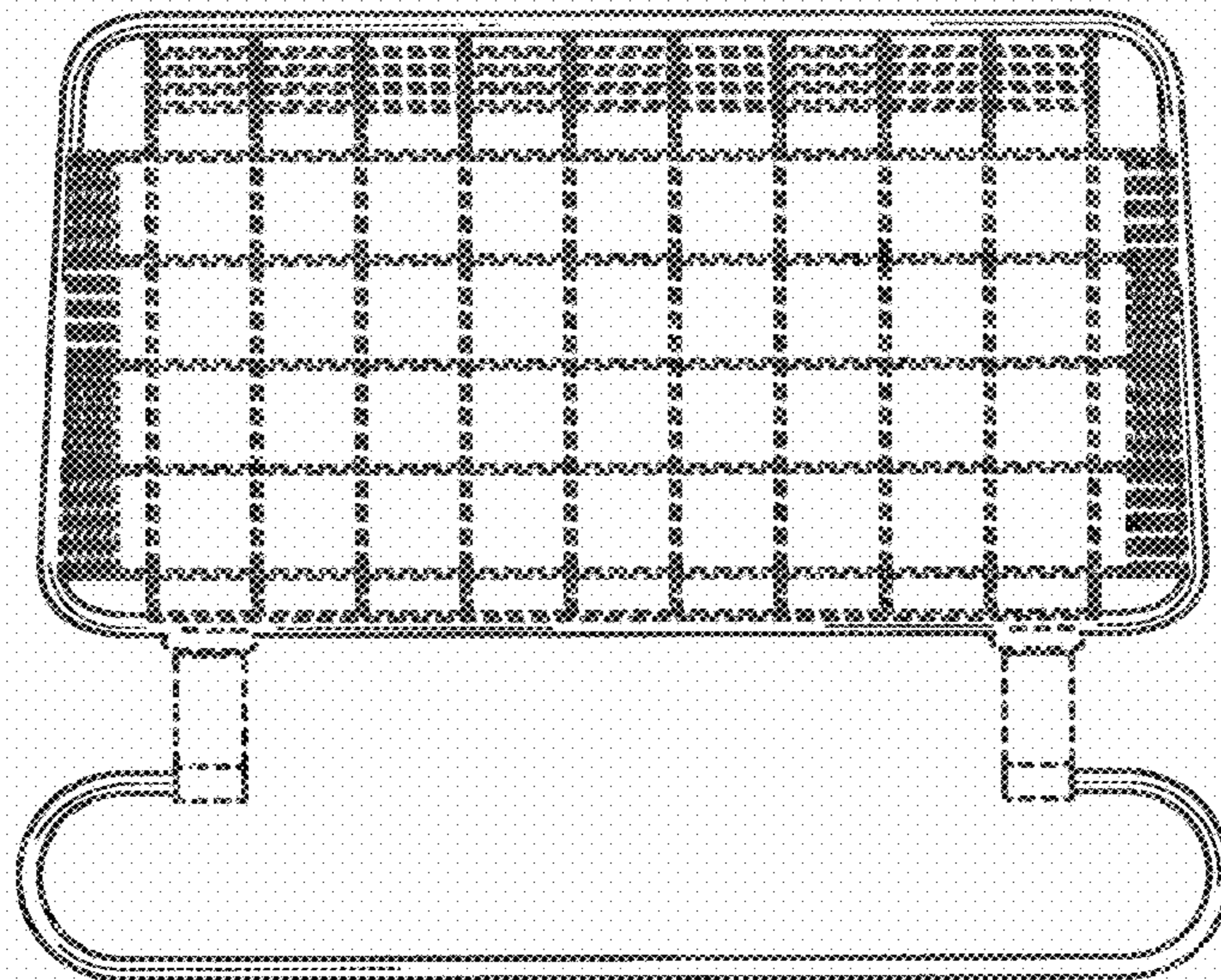


FIG. 14