



US00D811120S

(12) **United States Design Patent** (10) **Patent No.:** **US D811,120 S**
Johnson (45) **Date of Patent:** **** Feb. 27, 2018**

(54) **DISPENSER**

(71) Applicant: **SCA Hygiene Products AB**, Göteborg (SE)

(72) Inventor: **Peter Johnson**, Göteborg (SE)

(73) Assignee: **SCA HYGIENE PRODUCTS AB**, Göteborg (SE)

(**) Term: **15 Years**

(21) Appl. No.: **29/568,780**

(22) Filed: **Jun. 21, 2016**

Related U.S. Application Data

(62) Division of application No. 29/530,818, filed on Jun. 19, 2015.

(30) **Foreign Application Priority Data**

Dec. 19, 2014 (EM) 002601922

(51) **LOC (11) Cl.** **23-02**

(52) **U.S. Cl.**
USPC **D6/542**

(58) **Field of Classification Search**
USPC D6/512, 515, 518, 520, 522, 524, 542, D6/543, 544, 545; 222/148, 149, 180, 222/181.1, 631; 221/26, 282, 283; 211/45, 48, 88.04, 119.009, 85.12; 206/581, 225, 229, 233, 389, 401, 77.1
CPC . A47F 1/085; A47F 7/163; A47F 7/16; B65H 75/141; B65D 83/267; B65D 23/003; B65D 83/40; B65D 77/065; B65D 35/242; B65D 85/672; B65D 83/08; B65D 83/05; B65D 85/04; B67D 3/0029; B67D 1/07; A47K 5/1217; A47K 5/02; A47K 10/025; A47K 10/10; A47K 10/04; A47K 1/09; A47K 17/003; A61C 5/06

See application file for complete search history.

(56) **References Cited**

U.S. PATENT DOCUMENTS

3,684,338	A *	8/1972	Bahnsen	A47K 10/28
				312/34.13
3,754,681	A *	8/1973	Slye	A47K 10/424
				221/45
D284,247	S *	6/1986	Fine	D6/518
D284,921	S *	8/1986	Hansen	D6/515
4,746,176	A *	5/1988	Nishiyama	A47K 10/28
				312/34.9
D299,399	S *	1/1989	Lippman	D6/545
4,856,854	A *	8/1989	Nishiyama	A47K 10/28
				292/198
D307,841	S *	5/1990	Hanifl	D24/131
D308,780	S *	6/1990	Pound	D6/515
D309,067	S *	7/1990	Arrias	D6/515
D316,788	S *	5/1991	Fischer	D6/522

(Continued)

Primary Examiner — John Windmuller

Assistant Examiner — Steven Czyz

(74) *Attorney, Agent, or Firm* — Buchanan Ingersoll & Rooney PC

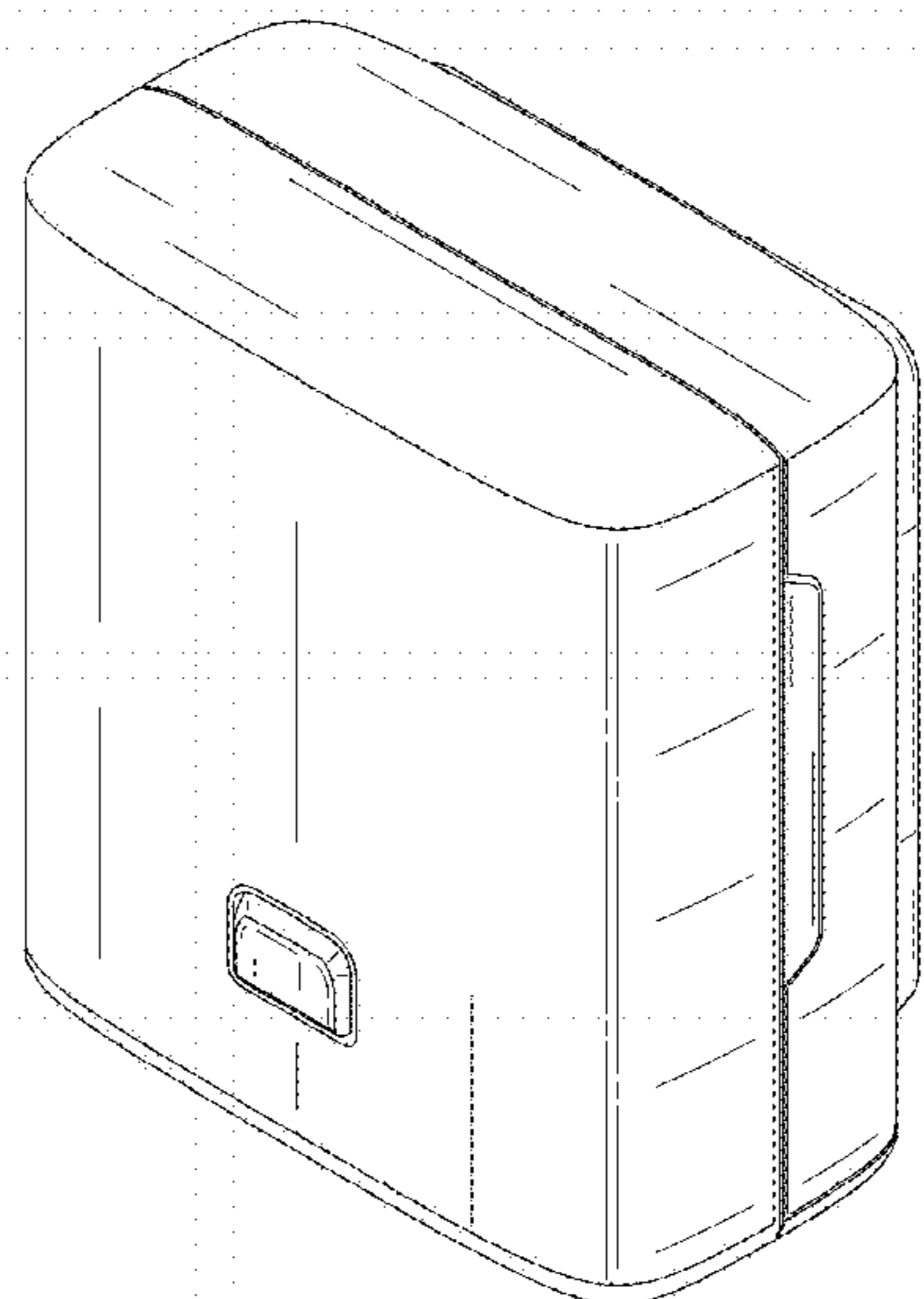
(57) **CLAIM**

The ornamental design for a dispenser, as shown and described.

DESCRIPTION

FIG. 1 is a perspective view of a dispenser.
FIG. 2 is a front elevational view thereof.
FIG. 3 is a rear elevational view thereof.
FIG. 4 is a right side elevational view thereof.
FIG. 5 is a left side elevational view thereof.
FIG. 6 is a top plan view thereof; and,
FIG. 7 is a bottom plan view thereof.
The broken line portion of the drawing figure shown in FIG. 7 is included to show unclaimed subject matter only and forms no part of the claimed design.

1 Claim, 6 Drawing Sheets



(56)

References Cited

U.S. PATENT DOCUMENTS

D322,377 S *	12/1991	Fender	D6/545	D615,329 S *	5/2010	Meyerhoffer	D6/518
D332,194 S *	1/1993	Hines	D6/518	D623,452 S *	9/2010	McNeely	D6/518
D332,365 S *	1/1993	Hines	D6/515	D634,953 S *	3/2011	Meyerhoffer	D6/518
D332,368 S *	1/1993	Hines	D6/545	D641,578 S *	7/2011	Meyerhoffer	D6/518
D332,369 S *	1/1993	Hanna	D6/545	D648,585 S *	11/2011	Meyerhoffer	D6/518
D332,370 S *	1/1993	Hanna	D6/545	D653,888 S *	2/2012	Velazquez	D6/518
D332,679 S *	1/1993	Hines	D34/1	D653,891 S *	2/2012	Velazquez	D6/545
D337,227 S *	7/1993	Giugiaro	D6/518	D664,795 S *	8/2012	Cattacin	D6/518
D342,177 S *	12/1993	Hanna	D6/545	D664,796 S *	8/2012	Cattacin	D6/518
D346,518 S *	5/1994	Brandenburg	D6/515	D666,035 S *	8/2012	Velazquez	D6/518
D363,628 S *	10/1995	McCanless	D6/518	D668,484 S *	10/2012	Velazquez	D6/518
D365,713 S *	1/1996	Chen	D6/522	D670,518 S *	11/2012	Kluck	D6/515
D373,277 S *	9/1996	Giugiaro	D6/522	D674,223 S *	1/2013	Green	D6/518
5,642,836 A *	7/1997	Merriweather, Jr.	A47K 10/424	D677,085 S *	3/2013	Velazquez	D6/518
			221/281	D681,987 S *	5/2013	Cittadino	D6/518
D385,447 S *	10/1997	Foster	D6/545	D687,650 S *	8/2013	Wells	D6/518
D385,448 S *	10/1997	Foster	D6/545	D687,653 S *	8/2013	Giovannoni	D6/545
D410,357 S *	6/1999	Tramontina	D6/518	8,578,528 B1 *	11/2013	Heare	A47C 21/00
D413,419 S *	8/1999	Arbak	D34/1				108/49
D414,359 S *	9/1999	Scholey	D6/515	D699,048 S *	2/2014	Paal	D6/545
D416,725 S *	11/1999	Lewis	D6/522	D699,470 S *	2/2014	Pasquini	D6/522
D424,853 S *	5/2000	Singletary	D6/522	D703,463 S *	4/2014	Giovannoni	D6/545
D426,411 S *	6/2000	Tramontina	D6/522	D708,865 S *	7/2014	Sun Ting Kung	D6/518
D429,932 S *	8/2000	Conran	D6/518	D713,653 S *	9/2014	Sun Ting Kung	D6/545
6,102,269 A *	8/2000	Elliott	A47K 10/36	D718,953 S *	12/2014	Masino	D6/518
			226/130	D726,439 S *	4/2015	Giovannoni	D6/518
D436,272 S *	1/2001	Andersson	D6/518	D726,443 S *	4/2015	Giovannoni	D6/545
D437,518 S *	2/2001	Andersson	D6/518	D726,444 S *	4/2015	Giovannoni	D6/545
D439,456 S *	3/2001	Ehrensperger	D6/518	D726,445 S *	4/2015	Giovannoni	D6/545
D440,088 S *	4/2001	Leines	D6/522	D727,652 S *	4/2015	Sun Ting Kung	D6/518
D441,229 S *	5/2001	Andersson	D6/518	D728,879 S *	5/2015	Baker	D32/35
D441,578 S *	5/2001	Andersson	D6/518	D740,587 S *	10/2015	Sun Ting Kung	D6/518
D448,223 S *	9/2001	Fisscher	D6/518	D756,683 S *	5/2016	Morand	D6/518
6,296,331 B1 *	10/2001	Tramontina	A47K 10/424	D761,584 S *	7/2016	Trunsky	D6/518
			312/245	2002/0070228 A1 *	6/2002	Moody	A47K 10/424
D450,500 S *	11/2001	Andersson	D6/518				221/47
6,315,155 B1 *	11/2001	Hubanks	A47K 10/424	2003/0071050 A1 *	4/2003	Clark	A47K 10/424
			221/38				221/45
6,412,655 B1 *	7/2002	Stuetzel	A47K 10/36	2006/0006277 A1 *	1/2006	Formon	A47K 10/3818
			221/13				242/593
D463,929 S *	10/2002	Fitzsimmons	D6/515	2008/0302901 A1 *	12/2008	Wischnowsky	A47K 10/28
D474,927 S *	5/2003	Solfeldt	D6/515				242/365.7
D475,873 S *	6/2003	Mello	D6/515	2009/0066200 A1 *	3/2009	De Jong	A47K 10/28
D504,041 S *	4/2005	Dudley	D6/522				312/34.12
D537,667 S *	3/2007	van Haperen	D6/545	2009/0120950 A1 *	5/2009	Titas	A47K 10/3818
D553,402 S *	10/2007	Orgna	D6/518				221/45
D564,267 S *	3/2008	Tomic	D6/518	2010/0269653 A1 *	10/2010	Larsson	A47K 10/3625
D564,268 S *	3/2008	Tomic	D6/518				83/72
D570,142 S *	6/2008	Lin	D6/515	2011/0031265 A1 *	2/2011	Saarvali	A47K 10/424
D581,709 S *	12/2008	Erekson	D6/518				221/48
D607,251 S *	1/2010	Pattberg	D6/518	2014/0291437 A1 *	10/2014	Corley	A47K 10/36
D613,536 S *	4/2010	Pattberg	D6/518				242/563
				2015/0157177 A1 *	6/2015	Carper	A47K 10/3656
							242/570

* cited by examiner

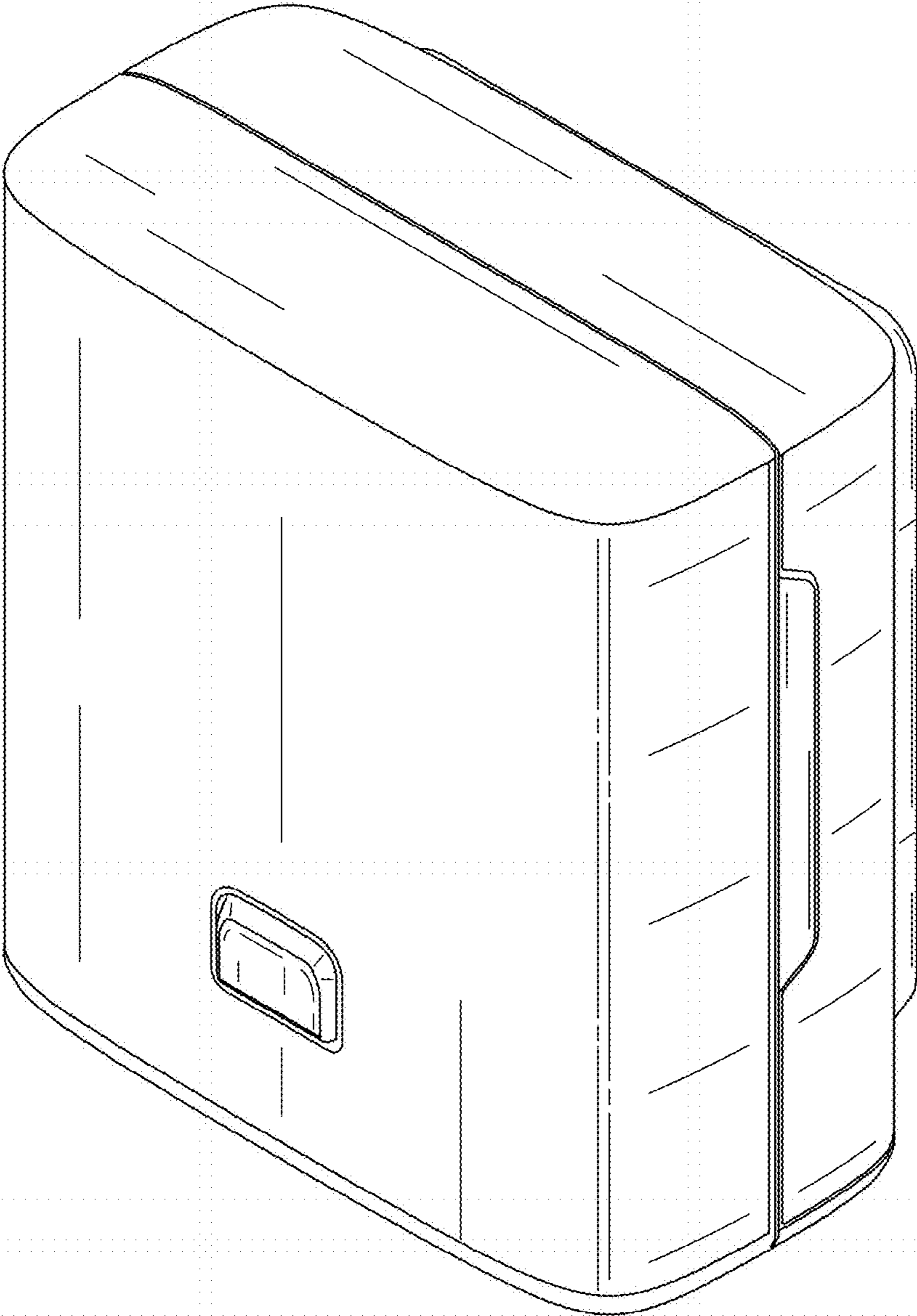


FIG. 1

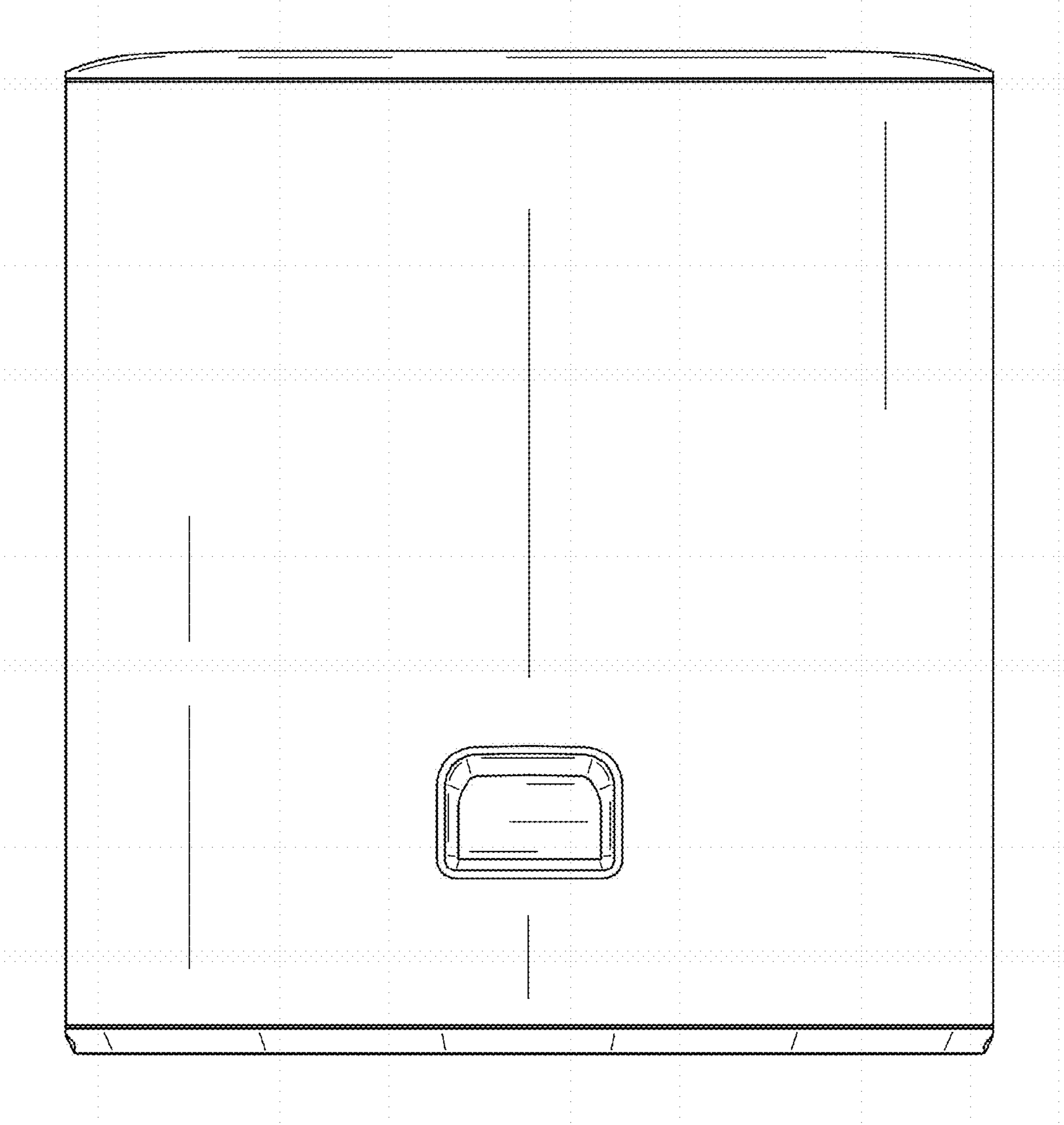


FIG. 2

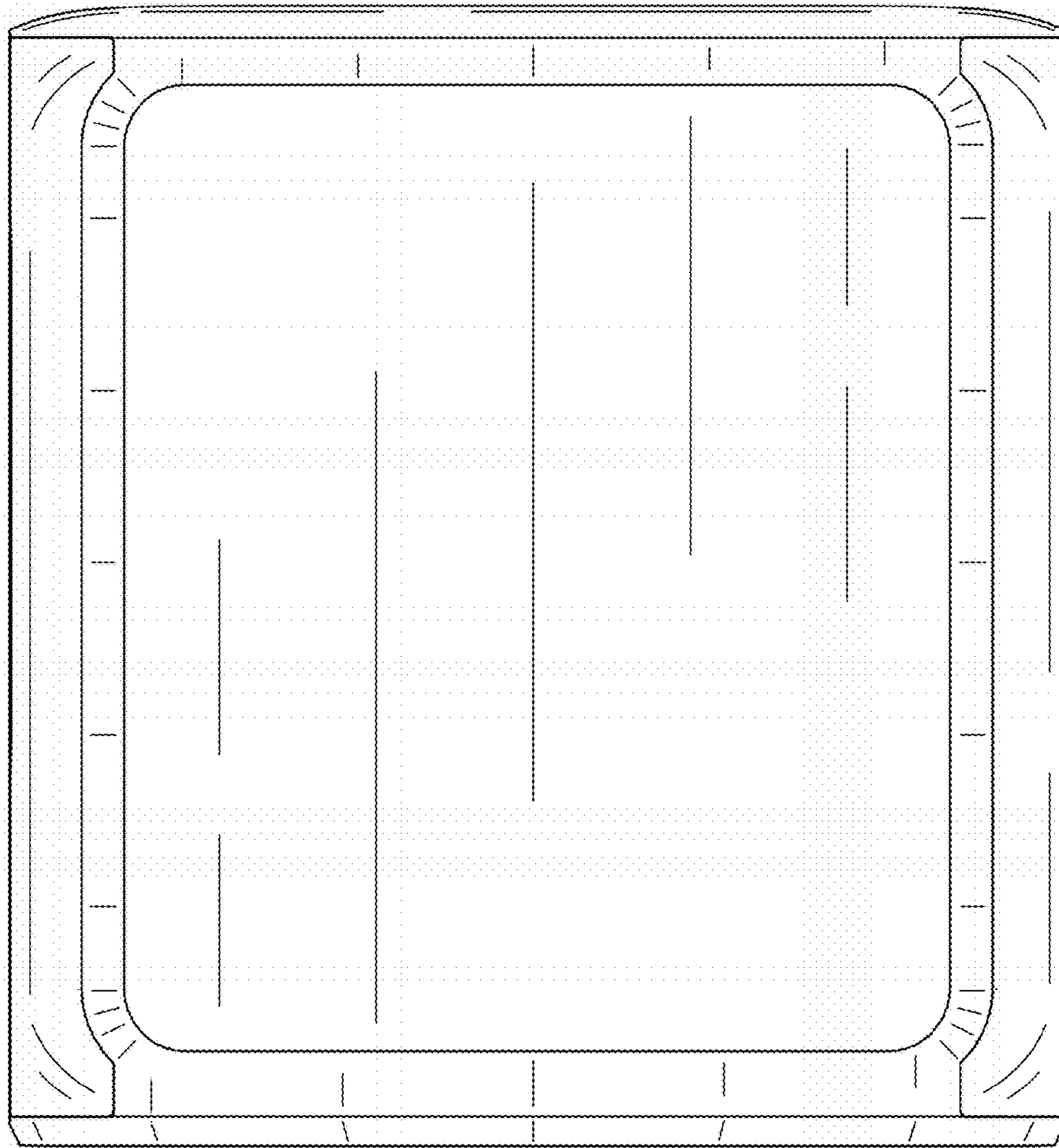


FIG. 3

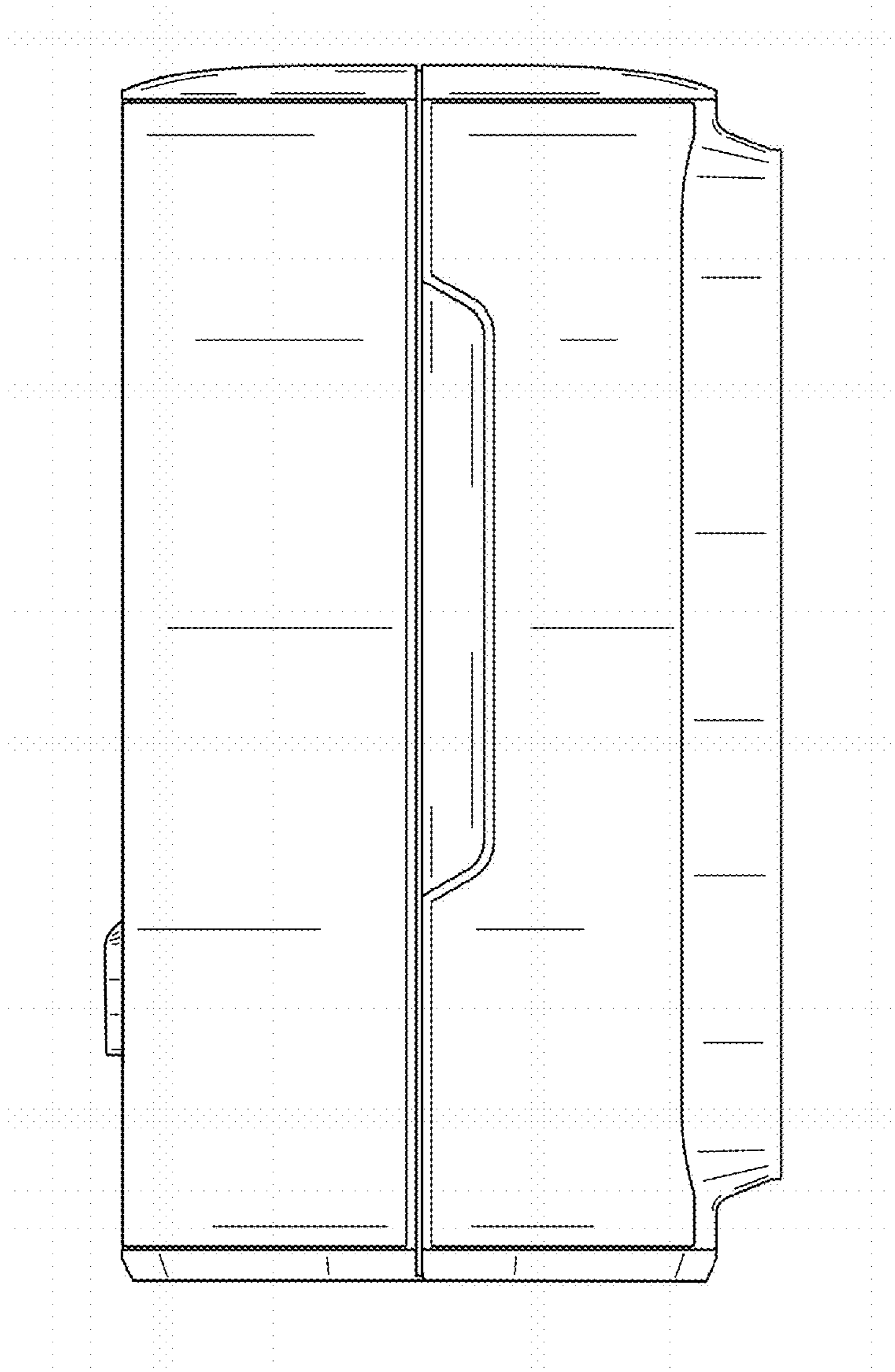


FIG. 4

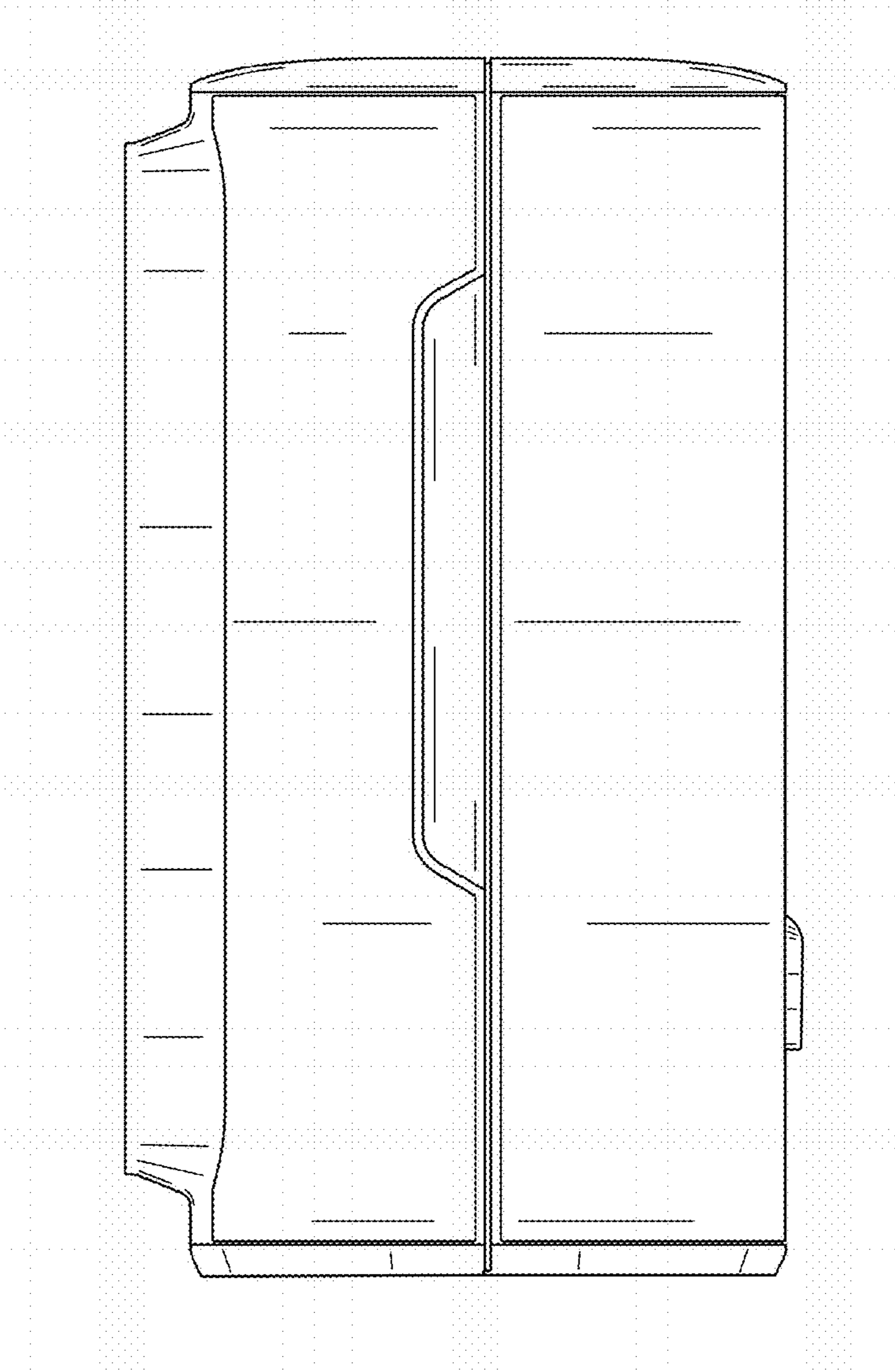


FIG. 5

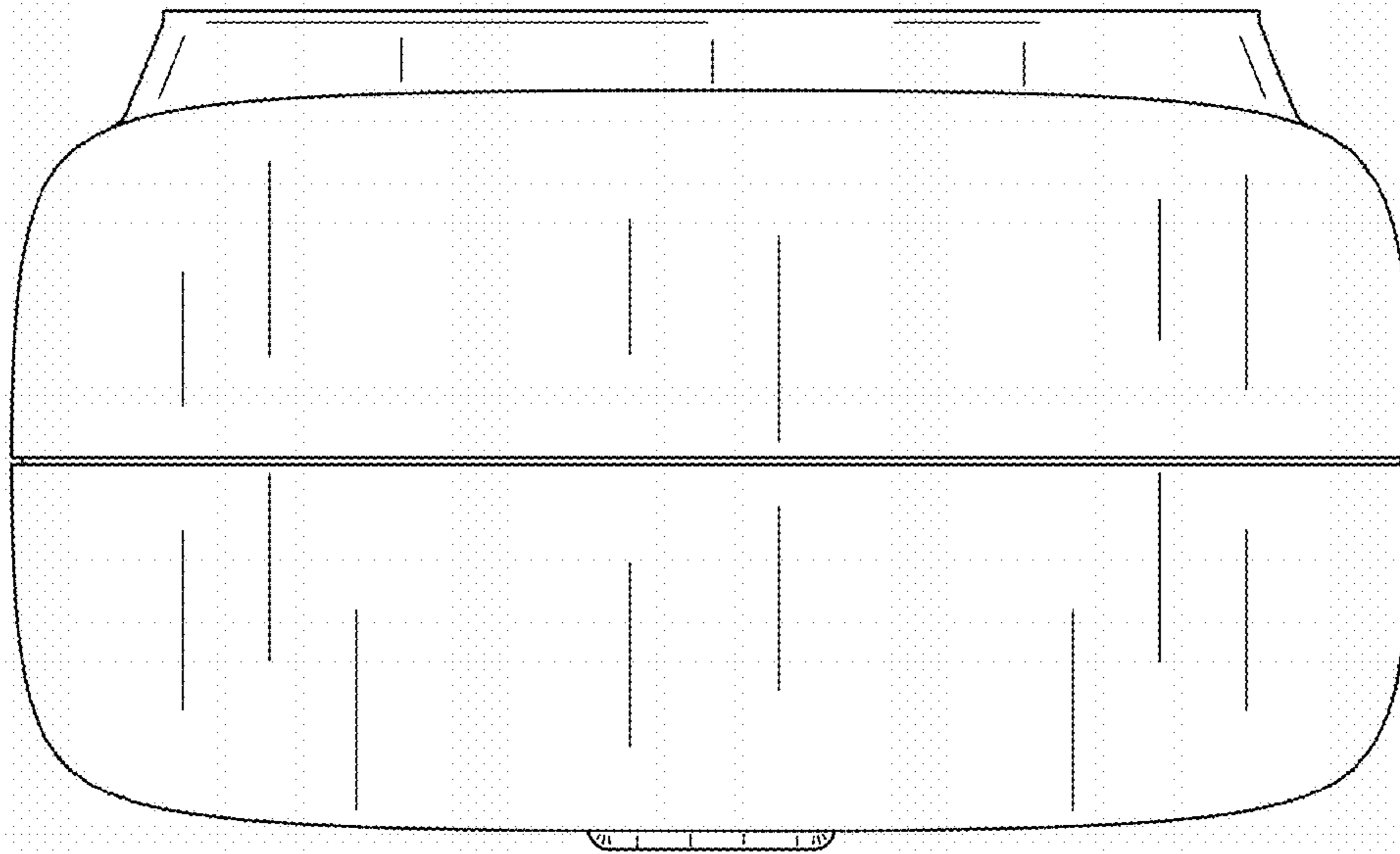


FIG. 6

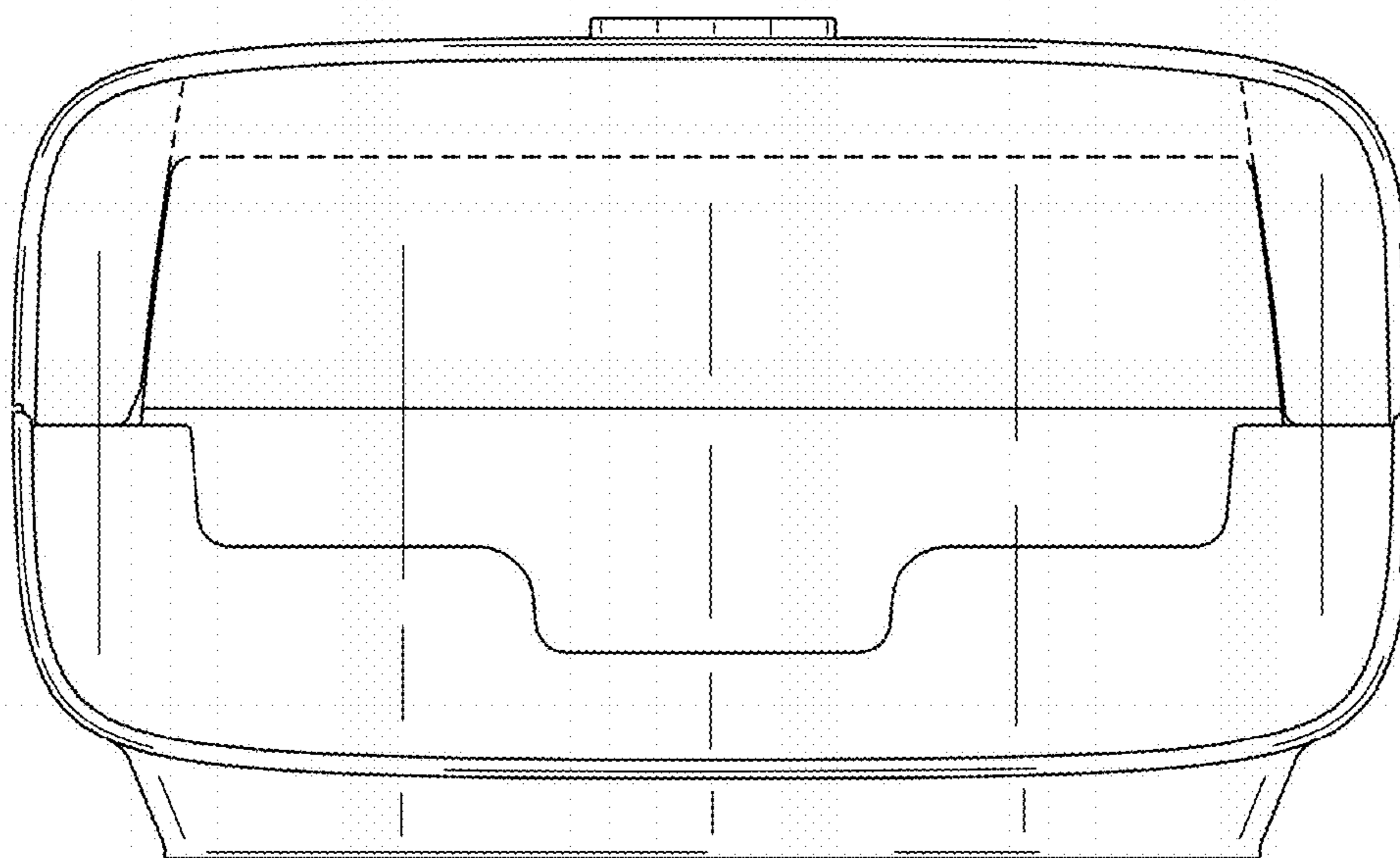


FIG. 7