



US00D811119S

(12) **United States Design Patent**  
**Greenspon**

(10) **Patent No.:** **US D811,119 S**

(45) **Date of Patent:** **\*\* Feb. 27, 2018**

- (54) **SHOWER CADDY**
- (71) Applicant: **Honey-Can-Do International, LLC**,  
Berkeley, IL (US)
- (72) Inventor: **Steven B. Greenspon**, Berkeley, IL  
(US)
- (73) Assignee: **Honey-Can-Do International, LLC**,  
Berkeley, IL (US)
- (\*\*) Term: **15 Years**
- (21) Appl. No.: **29/594,327**
- (22) Filed: **Feb. 17, 2017**
- (51) **LOC (11) Cl.** ..... **23-02**
- (52) **U.S. Cl.**  
USPC ..... **D6/525**
- (58) **Field of Classification Search**  
USPC ..... D6/524-525, 566, 536, 540, 567, 570;  
211/13.1, 74, 71.01, 86.01, 75, 88.01,  
211/90.01, 90.03, 106, 119, 126.1, 133.5,  
211/181.1, 134  
CPC ..... A47B 81/00; A47B 45/00; A47B 57/00;  
A47B 57/26; A47B 96/02; A47B 96/021;  
B65D 21/086; B65D 25/04; A47K 3/281;  
E03C 1/264; D06F 57/12  
See application file for complete search history.

- D572,061 S \* 7/2008 Snider ..... A47K 3/281  
D6/525
- D603,198 S \* 11/2009 Guindi ..... A47K 3/281  
D6/525
- D632,513 S \* 2/2011 Cittadino ..... A47K 3/281  
D6/525
- D640,488 S \* 6/2011 Didehvar ..... D6/525
- D643,236 S \* 8/2011 Cittadino ..... D6/525
- D647,747 S \* 11/2011 Guindi ..... D6/525
- D651,837 S \* 1/2012 Yang ..... D6/525
- D677,089 S \* 3/2013 Tawil ..... D6/525
- D714,571 S \* 10/2014 Walker ..... D6/525
- D718,071 S \* 11/2014 Snider ..... D6/525
- D718,554 S \* 12/2014 Snider ..... D6/525
- D723,834 S \* 3/2015 Tawil ..... D6/525
- D727,060 S \* 4/2015 Yang ..... D6/525

(Continued)

*Primary Examiner* — David G Muller

*Assistant Examiner* — Nathan M Johnston

(74) *Attorney, Agent, or Firm* — Adam K. Sacharoff;  
Much Shelist, P.C.

(57) **CLAIM**

The ornamental design for a shower caddy, as shown and described.

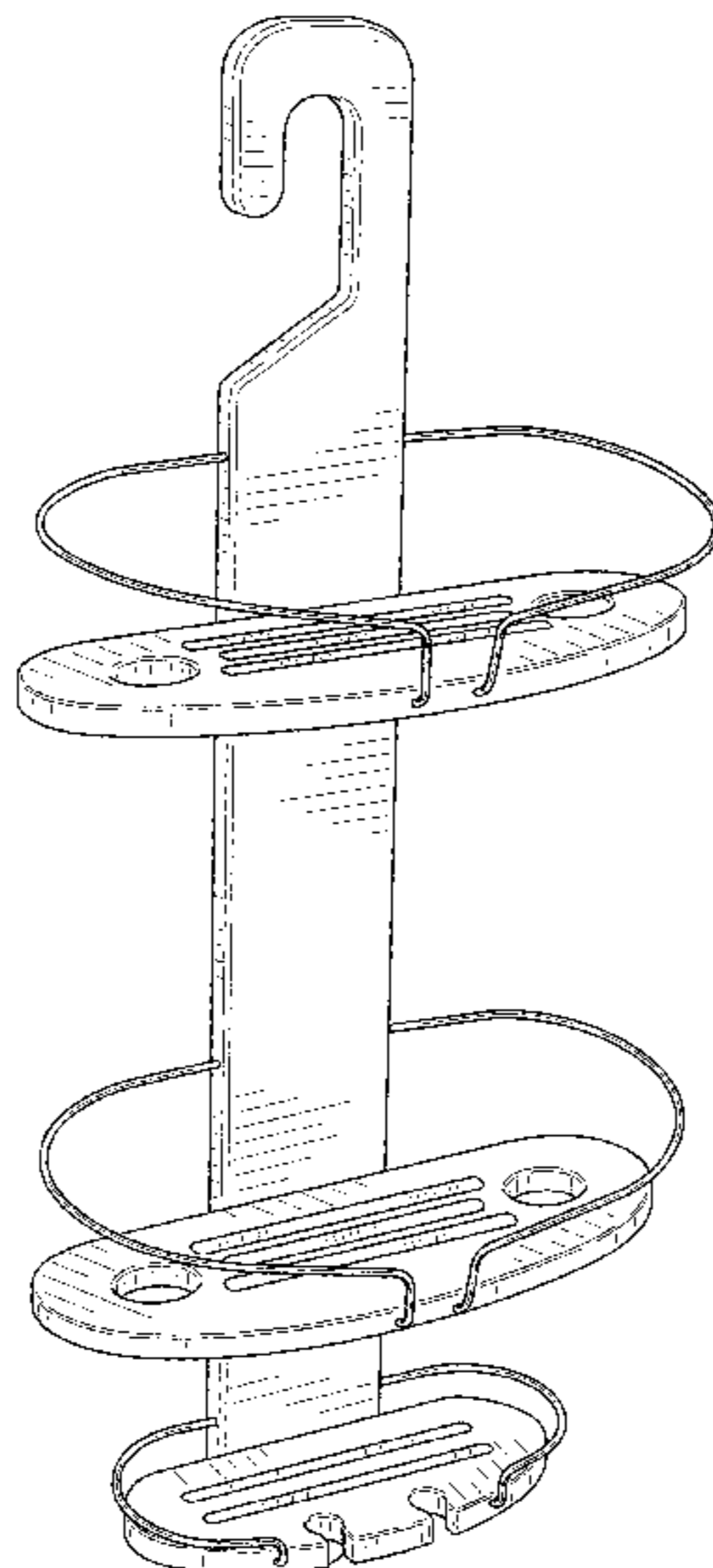
**DESCRIPTION**

FIG. 1 is a front top perspective view of a shower caddy, showing my new design;  
 FIG. 2 is a front bottom perspective view thereof, taken from underneath the shower caddy;  
 FIG. 3 is a bottom right side perspective view thereof;  
 FIG. 4 is a front elevation view thereof;  
 FIG. 5 is a rear elevation view thereof;  
 FIG. 6 is a right side view thereof;  
 FIG. 7 is a left side view thereof;  
 FIG. 8 is a top plan view thereof; and,  
 FIG. 9 is a bottom plan view thereof.  
 The broken lines show portions of the design that form no part of the claimed design.

**1 Claim, 7 Drawing Sheets**

(56) **References Cited**  
 U.S. PATENT DOCUMENTS

- D377,286 S \* 1/1997 Munoz ..... D6/525
- D387,595 S \* 12/1997 Whang ..... D6/525
- D564,257 S \* 3/2008 Yang ..... D6/525
- D564,271 S \* 3/2008 Snider ..... A47K 3/281  
D6/525
- D564,816 S \* 3/2008 Snider ..... A47K 3/281  
D6/525
- D568,657 S \* 5/2008 Snider ..... A47K 3/281  
D6/525



(56)

**References Cited**

U.S. PATENT DOCUMENTS

D728,260 S \* 5/2015 Snider ..... D6/525  
D769,641 S \* 10/2016 Yang ..... D6/525  
D770,197 S \* 11/2016 Yang ..... D6/525  
2014/0124598 A1\* 5/2014 Vaccaro ..... A47K 3/281  
239/289  
2014/0224754 A1\* 8/2014 Baines ..... A47K 3/281  
211/119.009  
2015/0257533 A1\* 9/2015 Yang ..... A47K 1/09  
220/4.01  
2017/0215653 A1\* 8/2017 Engell ..... A47B 55/02

\* cited by examiner

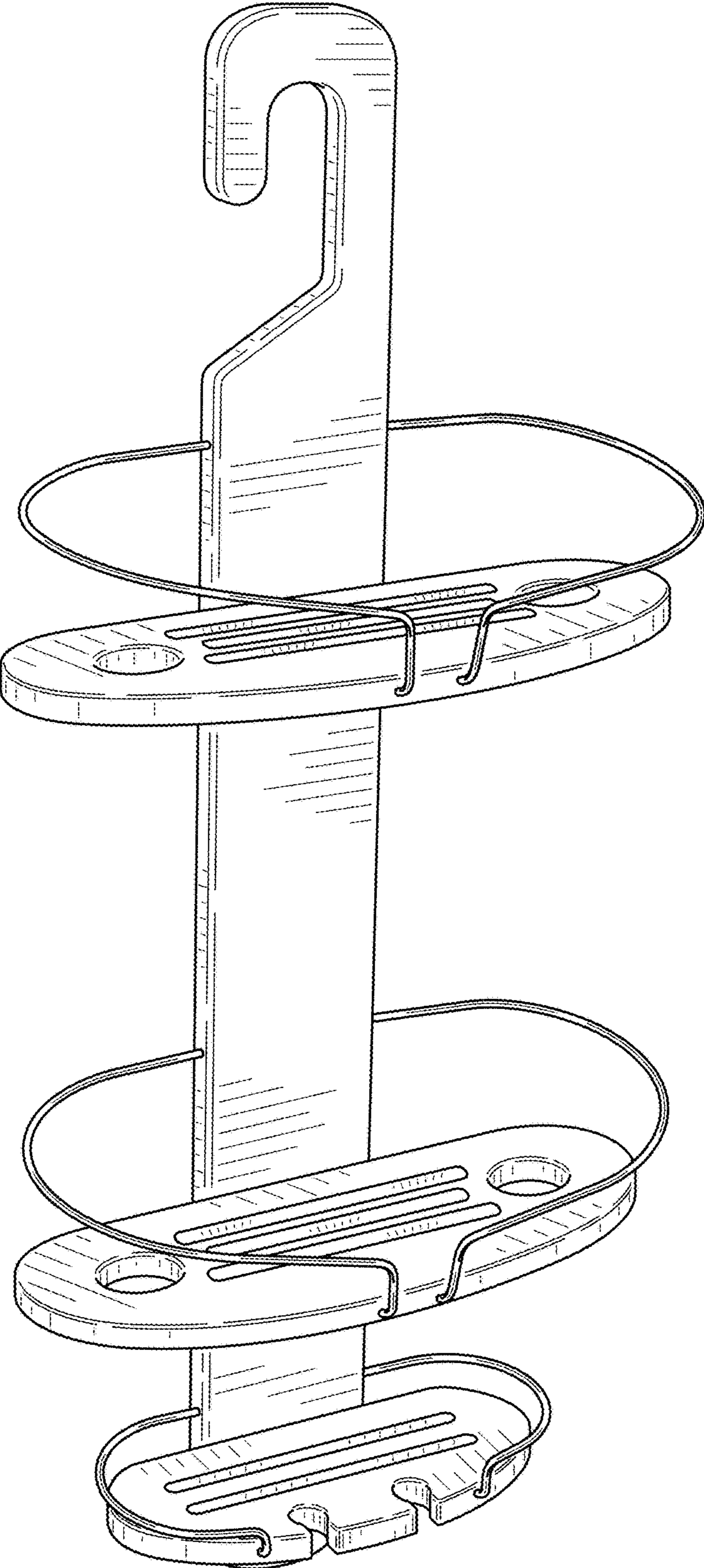


FIG. 1

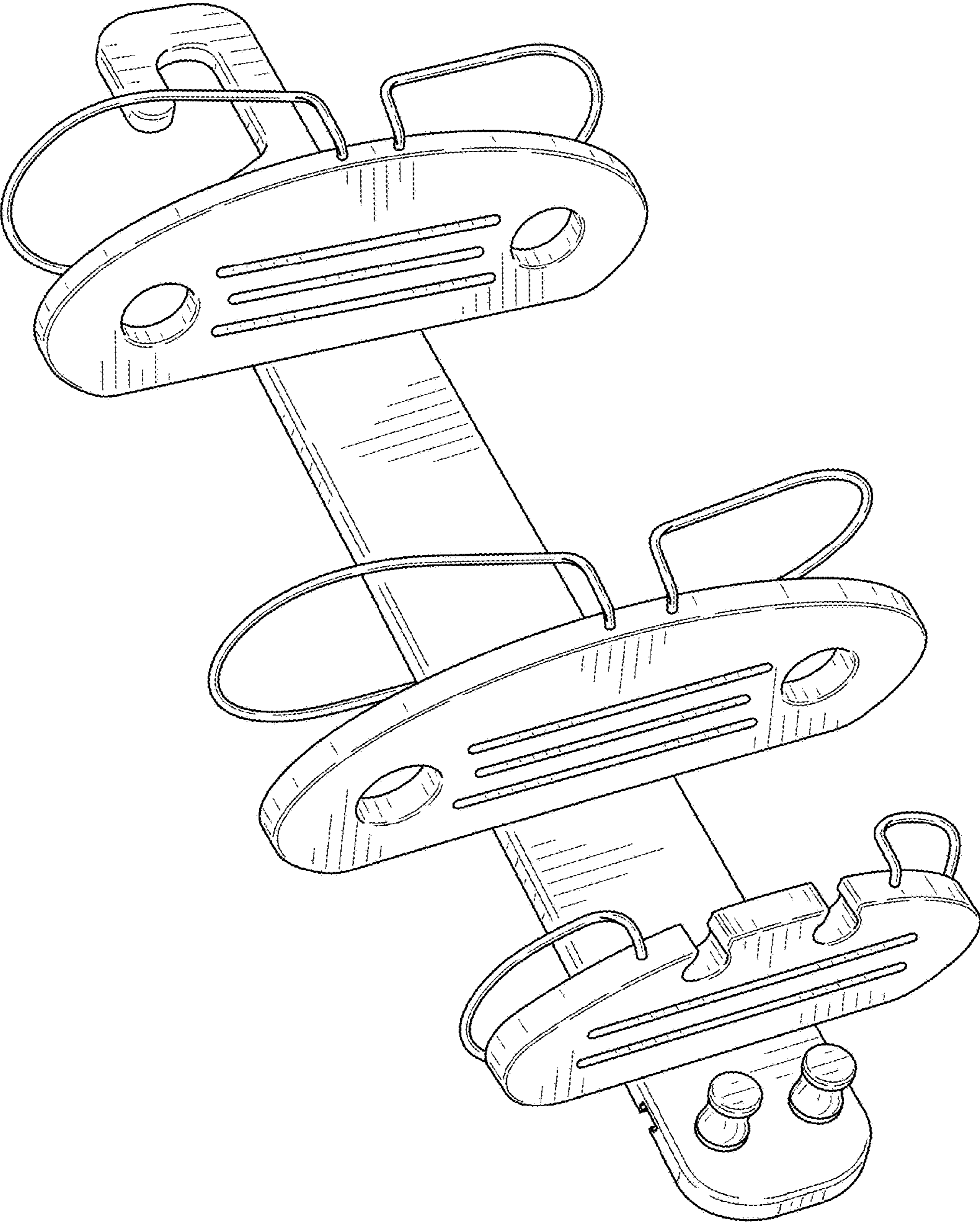


FIG. 2



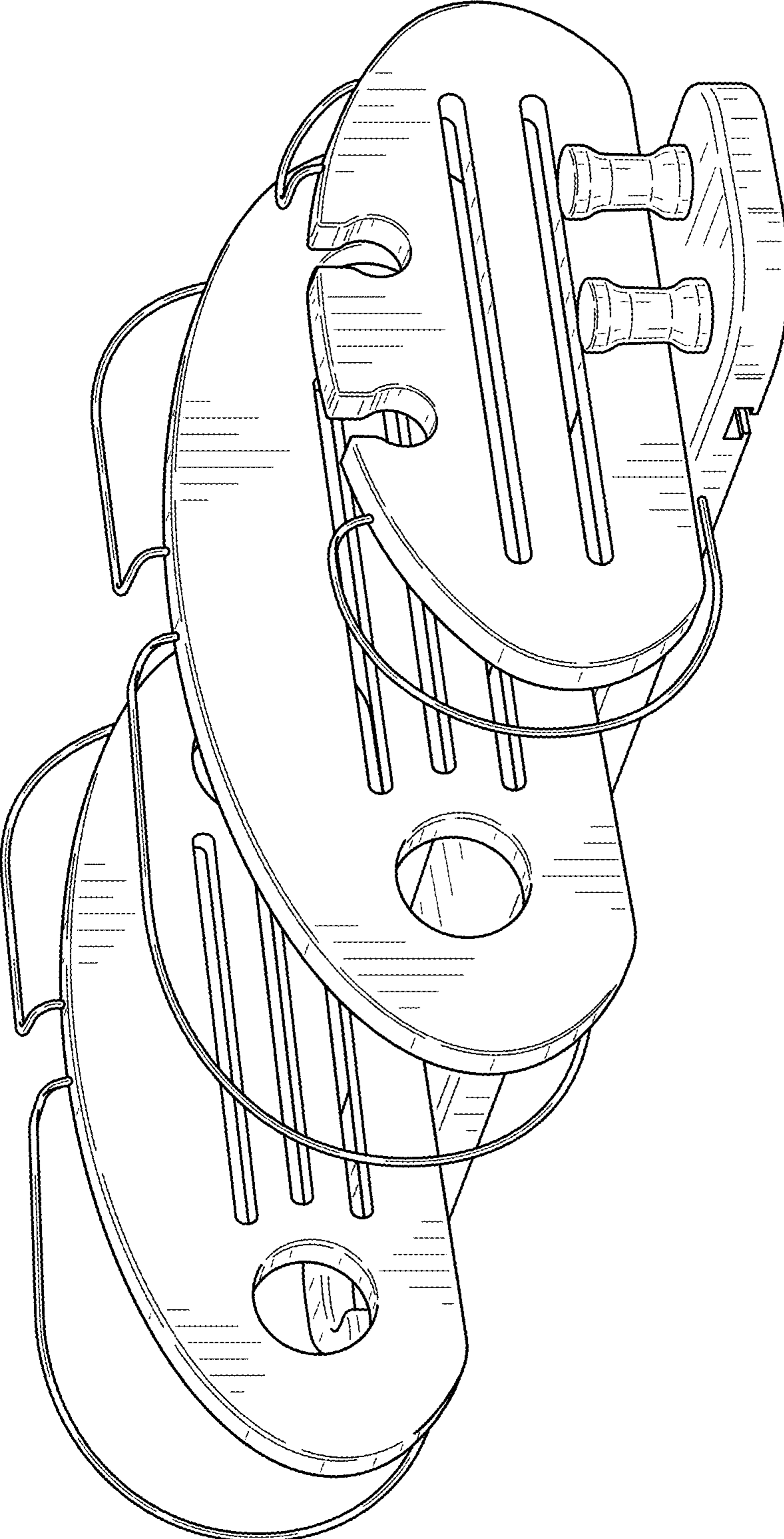


FIG. 3

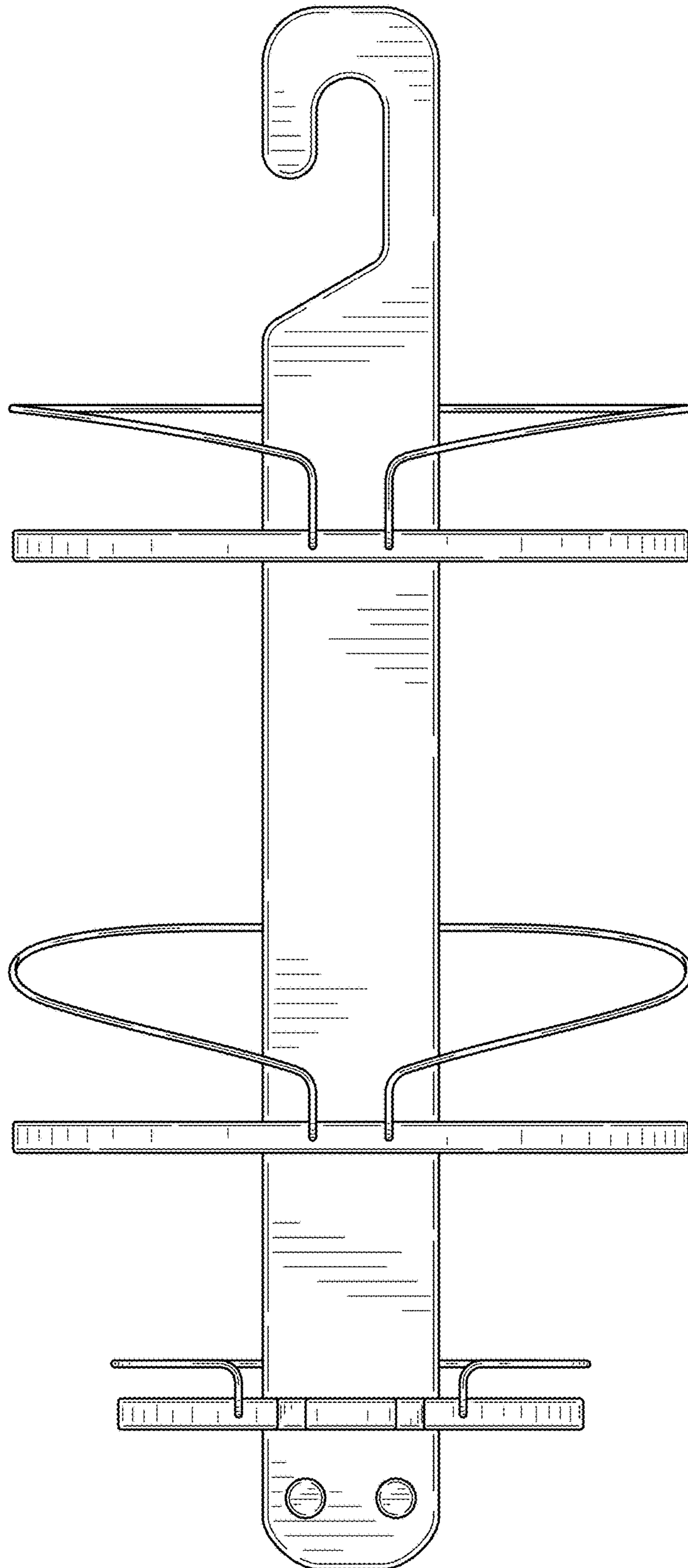


FIG. 4

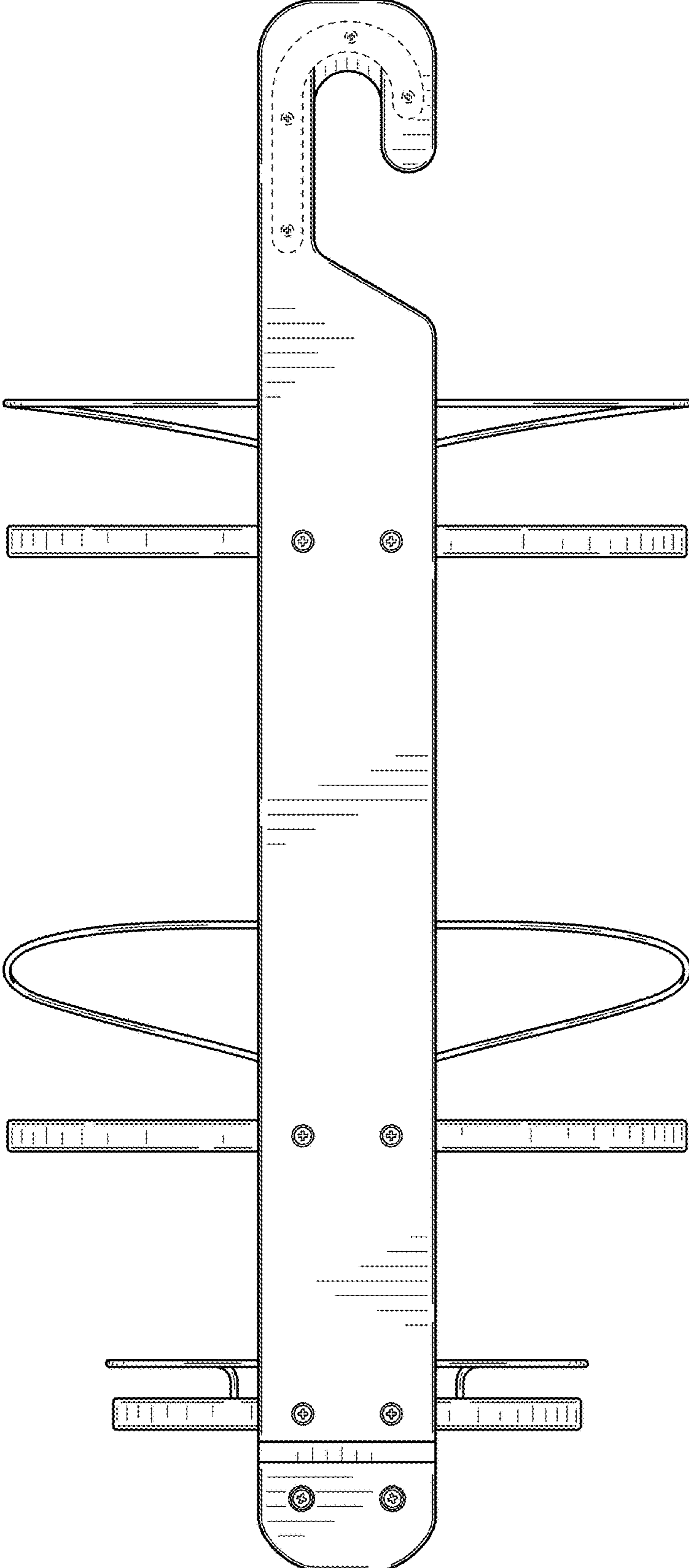


FIG. 5

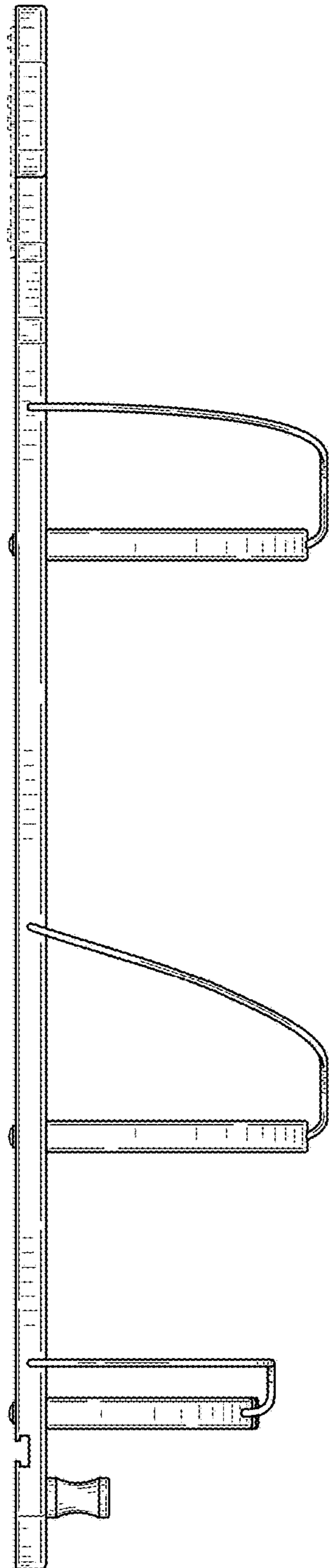


FIG. 6

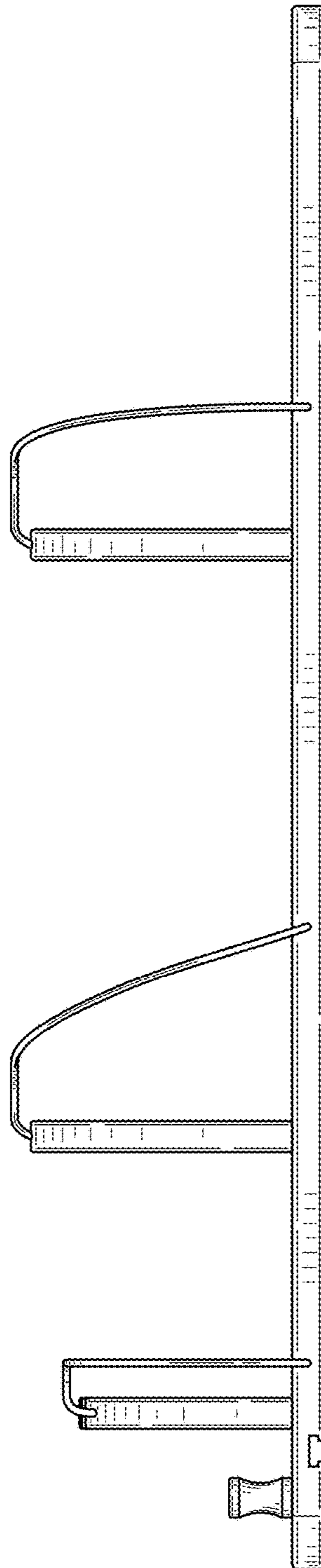


FIG. 7



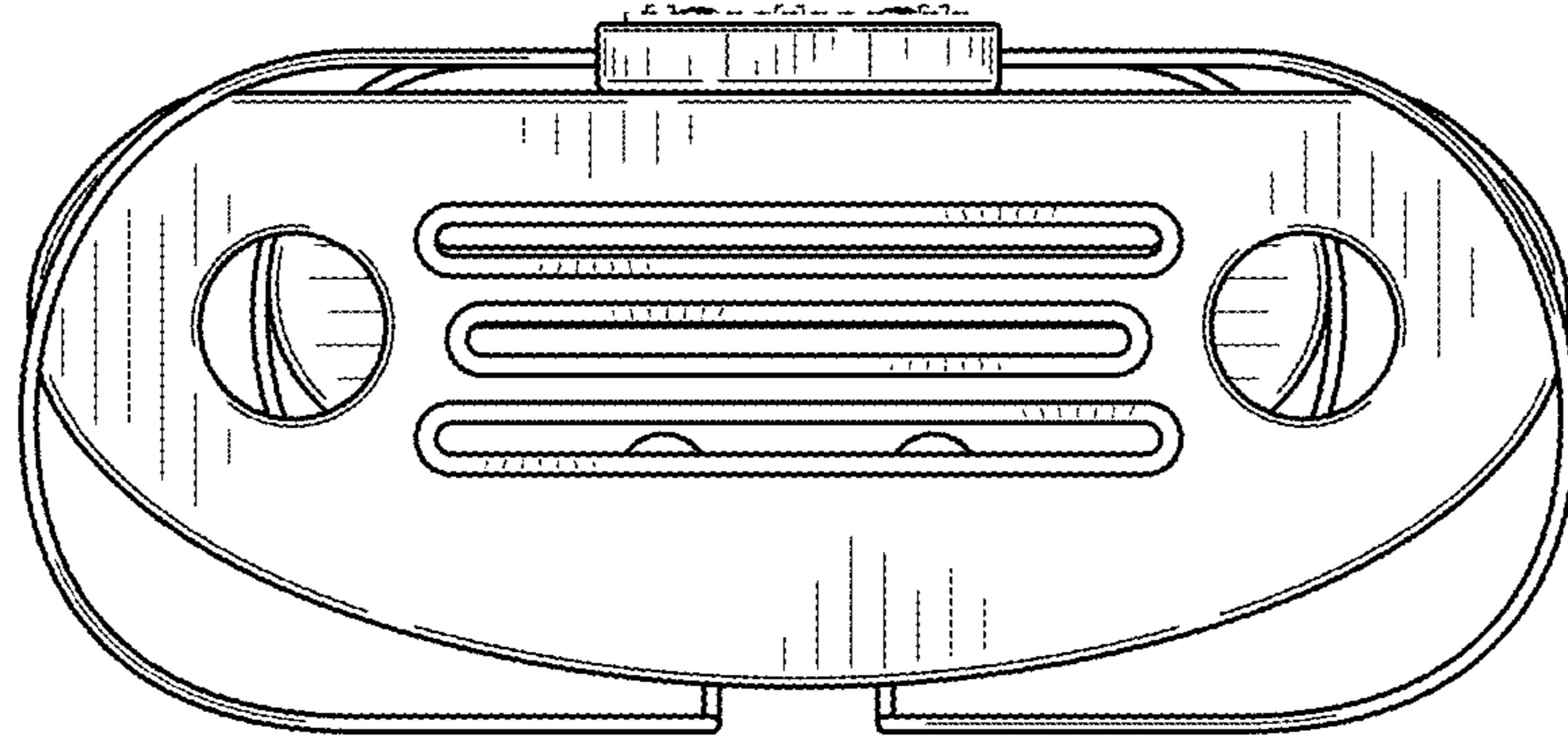


FIG. 8

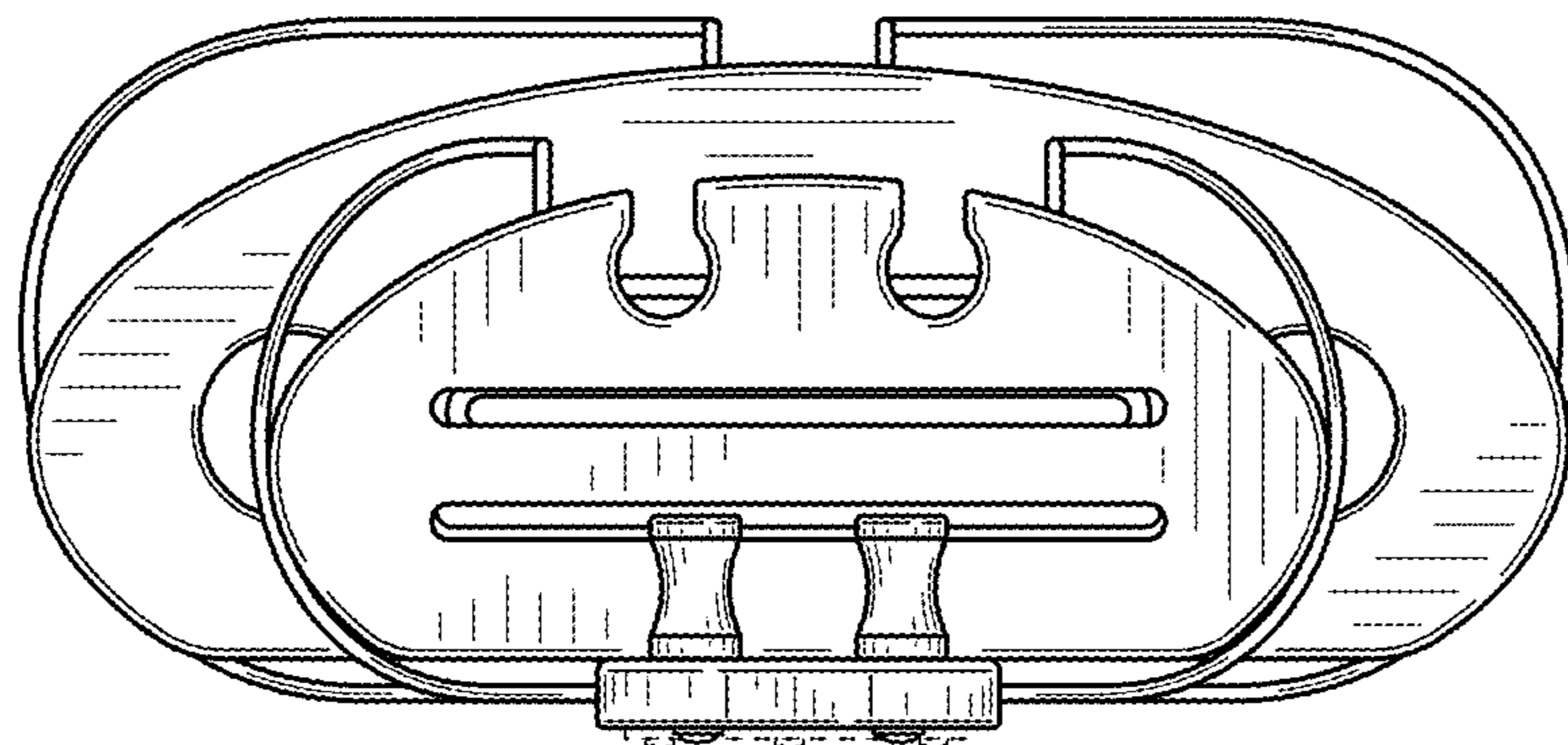


FIG. 9