



US00D811118S

(12) **United States Design Patent**
Garland

(10) **Patent No.:** **US D811,118 S**

(45) **Date of Patent:** **** Feb. 27, 2018**

- (54) **TISSUE HOLDER**
- (71) Applicant: **DELTA FAUCET COMPANY**,
Indianapolis, IN (US)
- (72) Inventor: **Celine Kwok Garland**, Zionsville, IN
(US)
- (73) Assignee: **DELTA FAUCET COMPANY**,
Indianapolis, IN (US)
- (**) Term: **15 Years**
- (21) Appl. No.: **29/595,375**
- (22) Filed: **Feb. 28, 2017**
- (51) **LOC (11) Cl.** **23-02**
- (52) **U.S. Cl.**
USPC **D6/523**
- (58) **Field of Classification Search**
USPC D6/518-523; 211/13.1, 16, 85.5, 86.01,
211/87.01, 88.04, 100, 105.1, 105.2, 106,
211/113, 123, 181.1, 182-183; 248/49,
248/175, 176.1, 200, 201, 205.1, 251,
248/302, 309.1, 315; D8/300, 370, 315;
108/28-29; 242/570, 590, 595-598;
D25/45
CPC A47K 10/40; A47K 10/3836; A47K 10/22;
A47K 10/38; A47K 2010/389; A47K
2010/3233; A47K 2010/3872
See application file for complete search history.

- (56) **References Cited**
U.S. PATENT DOCUMENTS
2,240,629 A * 5/1941 Smith A47K 10/3836
242/592
D155,897 S * 11/1949 Huntington 242/597.2
D424,345 S * 5/2000 Duggan D6/523
D425,741 S * 5/2000 Duggan D6/523
D431,947 S * 10/2000 Kopcak D6/523
D448,592 S * 10/2001 McBride D6/522

- D449,477 S * 10/2001 Travis D6/546
- D450,503 S * 11/2001 Gottwald D6/523
- 6,345,797 B1 * 2/2002 Ming-Hsiao A47K 10/40
211/105.1
- D465,365 S * 11/2002 Moore D6/523
- D477,481 S * 7/2003 Ouano D6/523
- D521,291 S * 5/2006 Ferrer Beltran D6/546
- D521,292 S * 5/2006 Ferrer Beltran D6/546
- D522,295 S * 6/2006 Ferrer Beltran D6/546
- D523,273 S * 6/2006 Ferrer Beltran D6/546
- D540,593 S * 4/2007 Hoernig D6/523
- D550,489 S * 9/2007 Williams D6/523
- D576,435 S * 9/2008 Snell D6/513
- D683,987 S * 6/2013 Bickler D6/523
- D699,967 S * 2/2014 Goodman D6/522
- D701,058 S * 3/2014 Goodman D6/522
- D764,207 S * 8/2016 Goodman D6/522
- D771,405 S * 11/2016 Garland D6/523
- D790,874 S * 7/2017 Eads D6/523

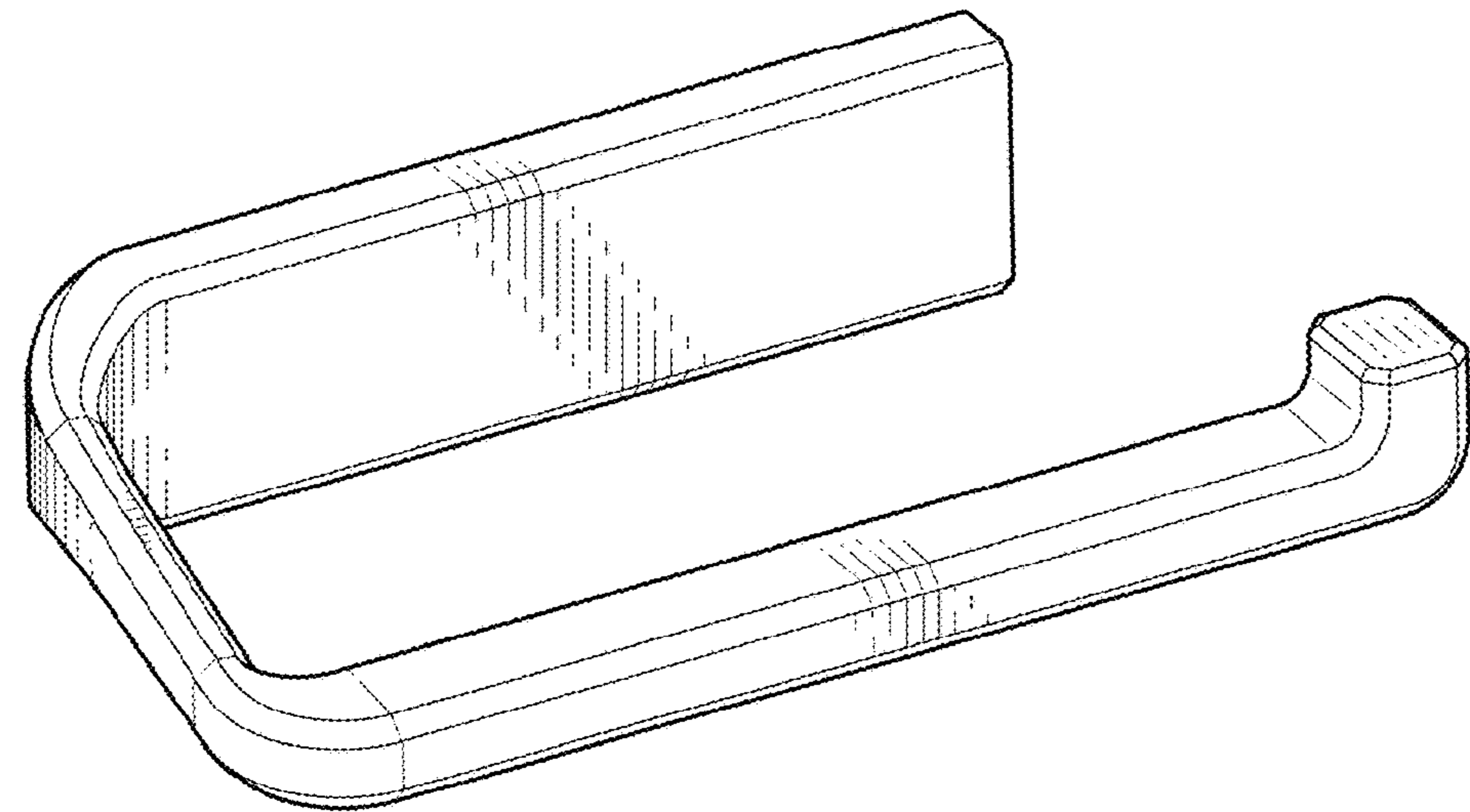
(Continued)

Primary Examiner — David G Muller
Assistant Examiner — Nathan M Johnston
 (74) *Attorney, Agent, or Firm* — Egar A. Zarins; Nirav D. Parikh

(57) **CLAIM**
 The ornamental design for a tissue holder, as shown and described.

DESCRIPTION
 FIG. 1 is a perspective view of a tissue holder showing my new design;
 FIG. 2 is a top plan view thereof;
 FIG. 3 is a front elevation view thereof;
 FIG. 4 is a left side elevation view thereof;
 FIG. 5 is a bottom plan view thereof;
 FIG. 6 is a rear elevation view thereof; and,
 FIG. 7 is a right side elevation view thereof.
 The broken lines show portions of the design that form no part of the claimed design.

1 Claim, 2 Drawing Sheets



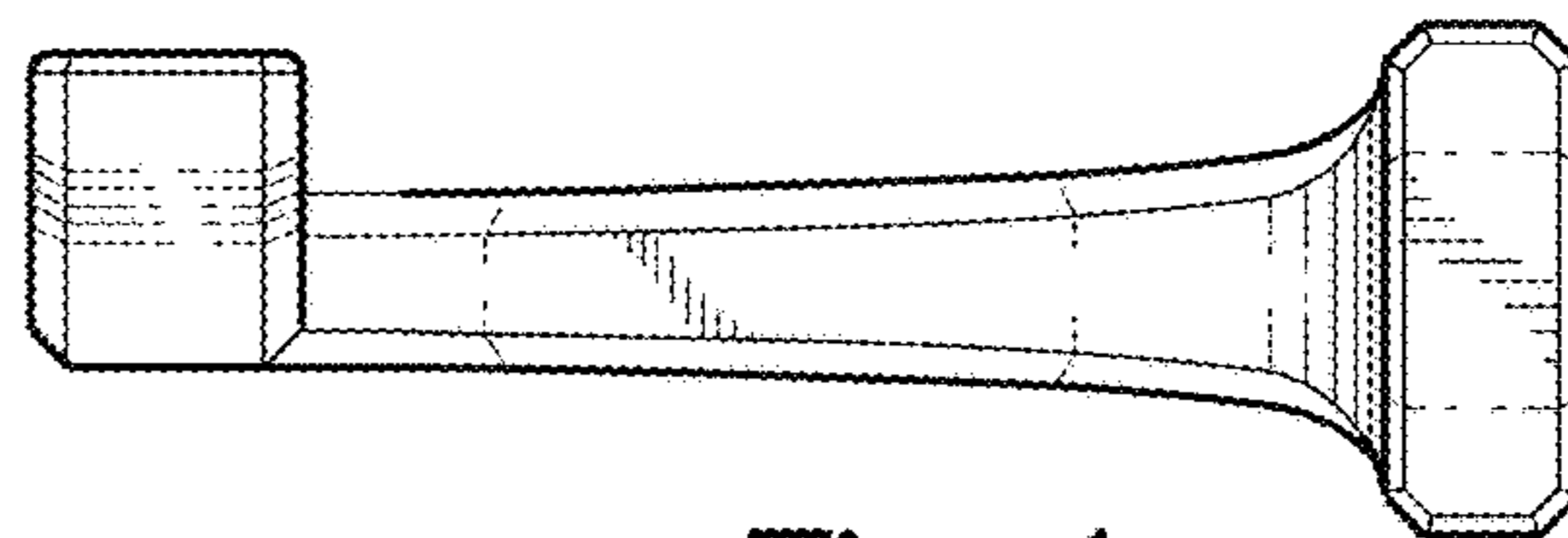
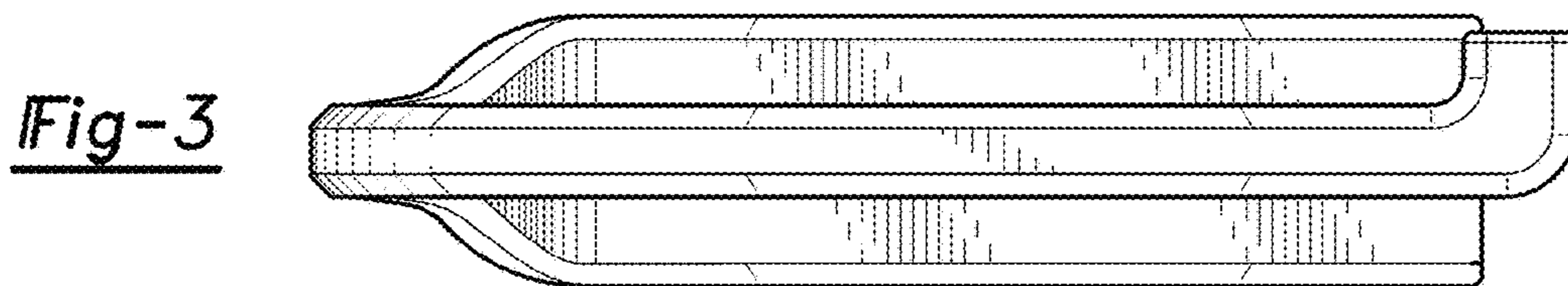
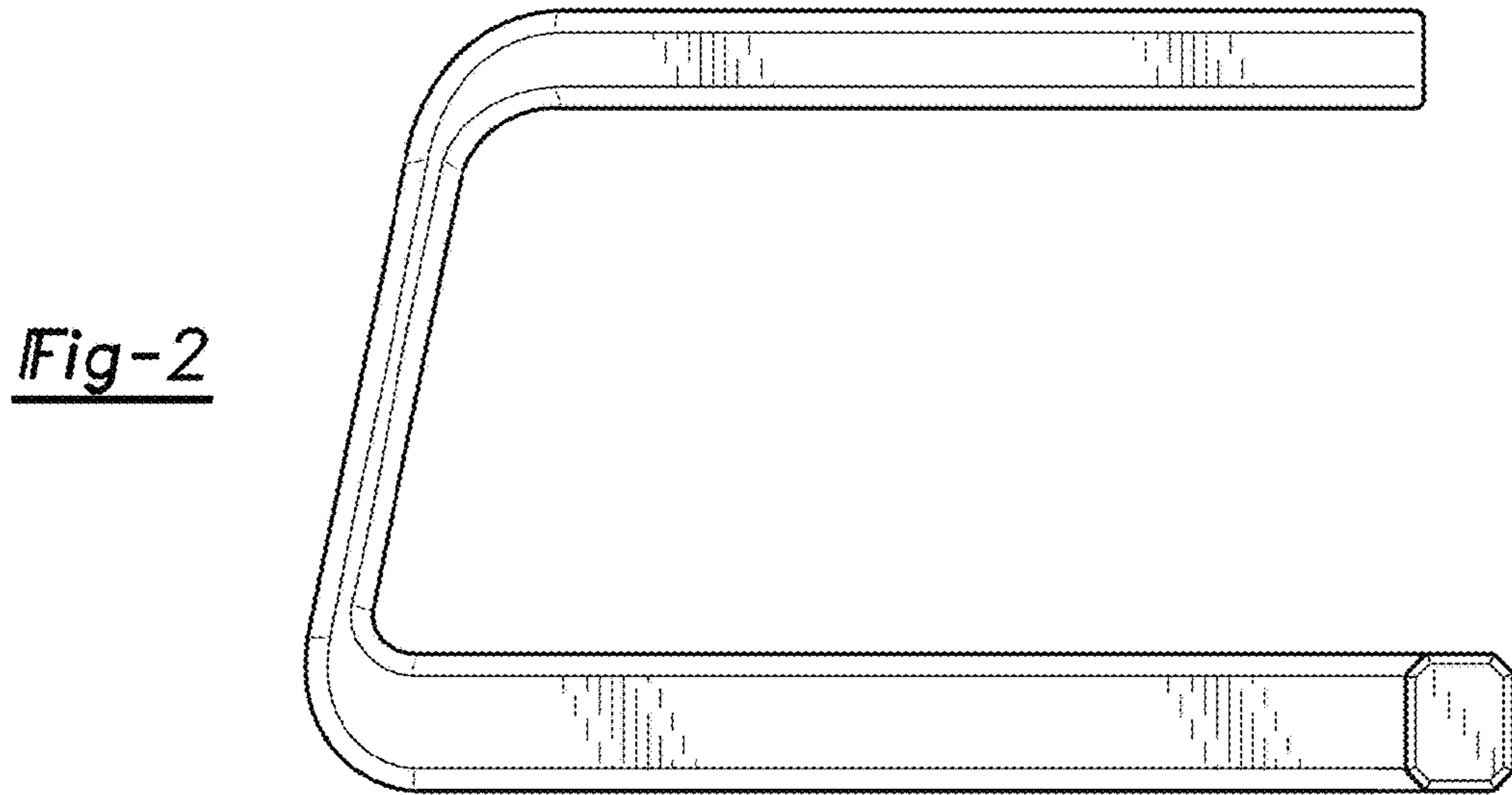
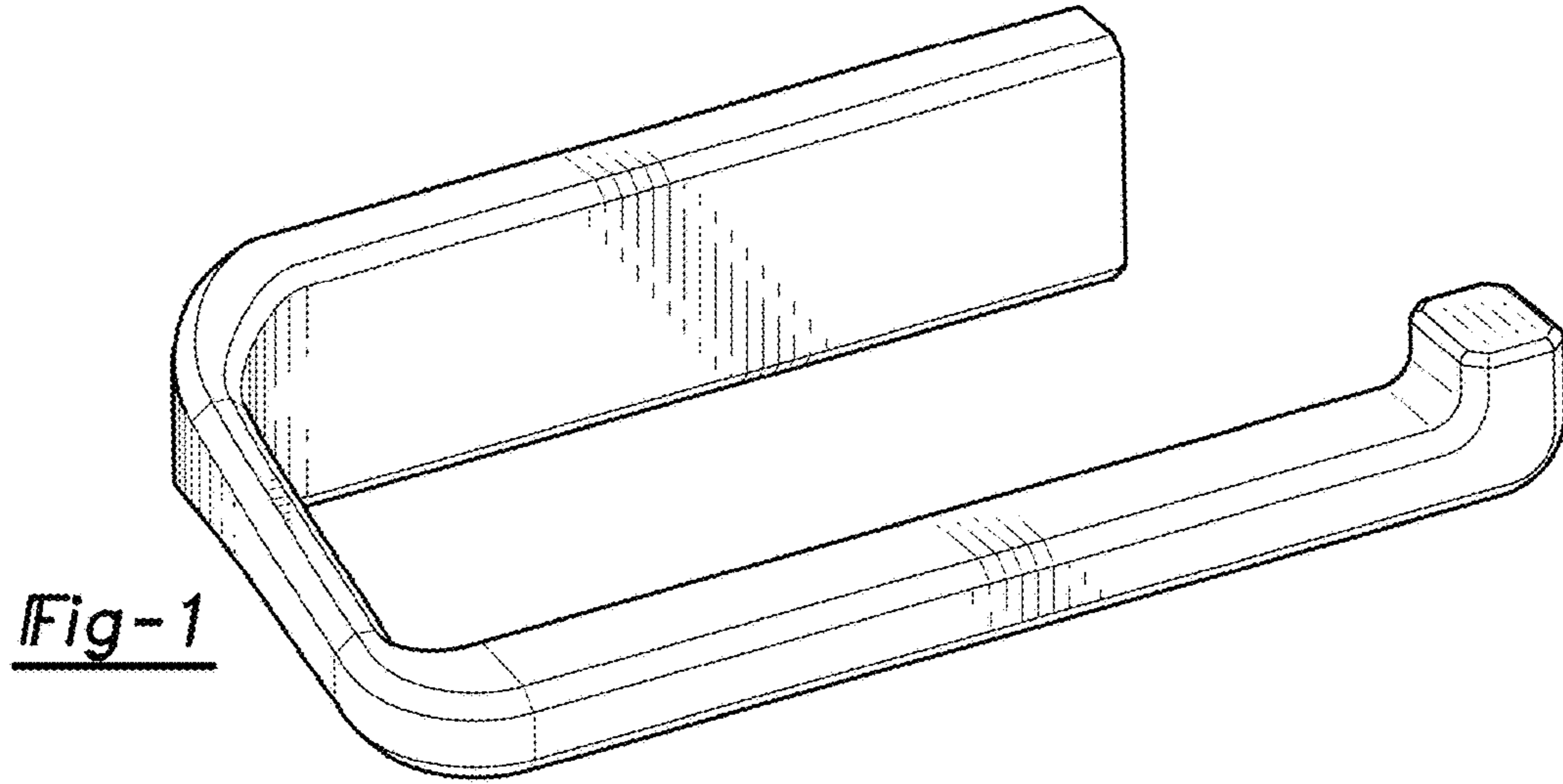
(56)

References Cited

U.S. PATENT DOCUMENTS

D790,875 S * 7/2017 Eads D6/546
D797,467 S * 9/2017 Andrew D6/540

* cited by examiner



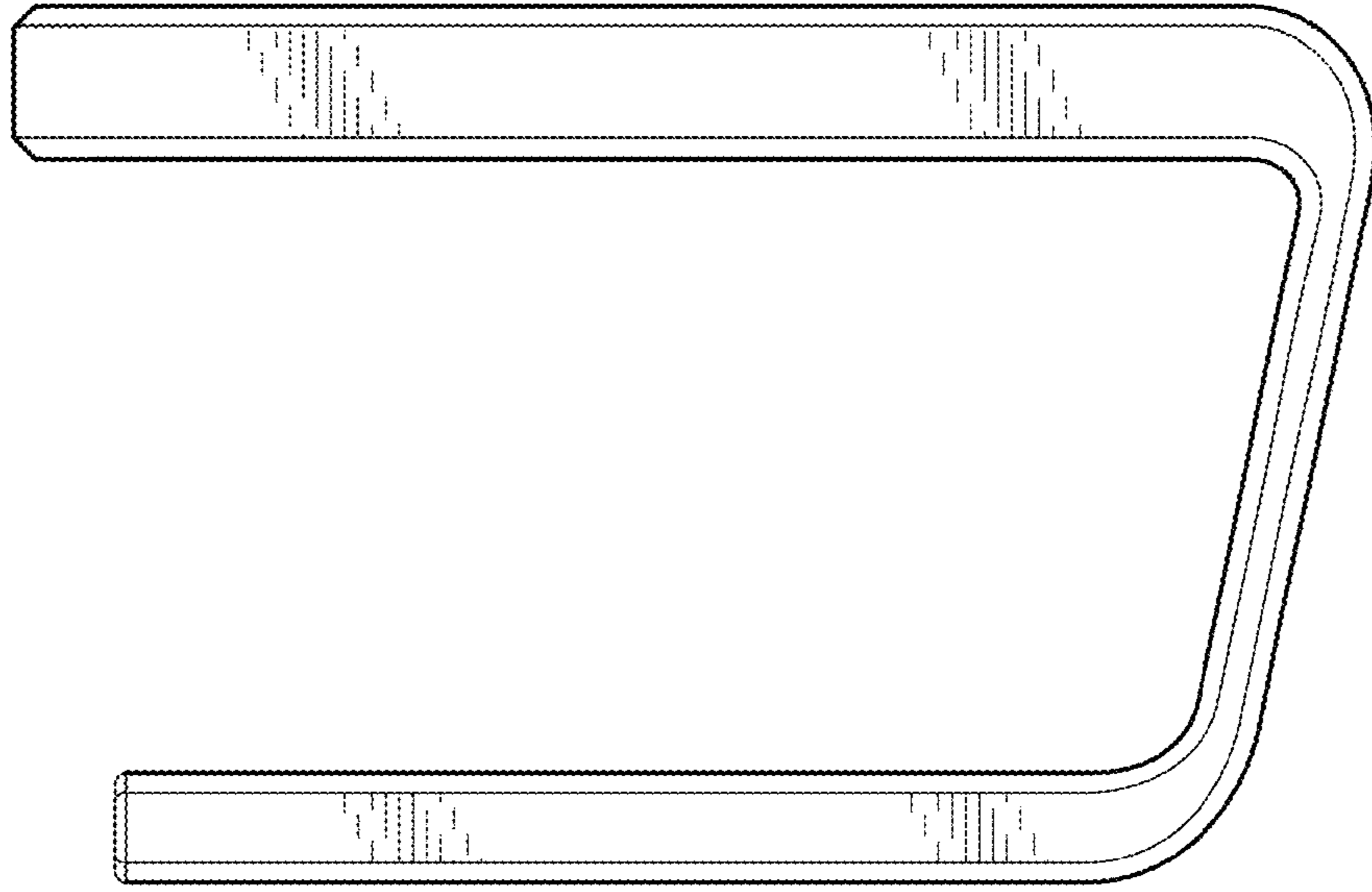


Fig-5

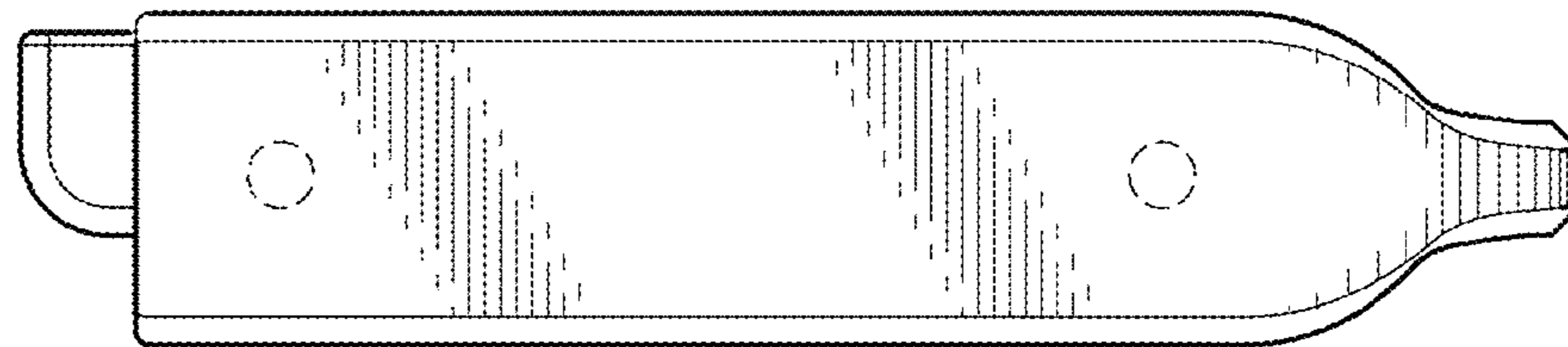


Fig-6

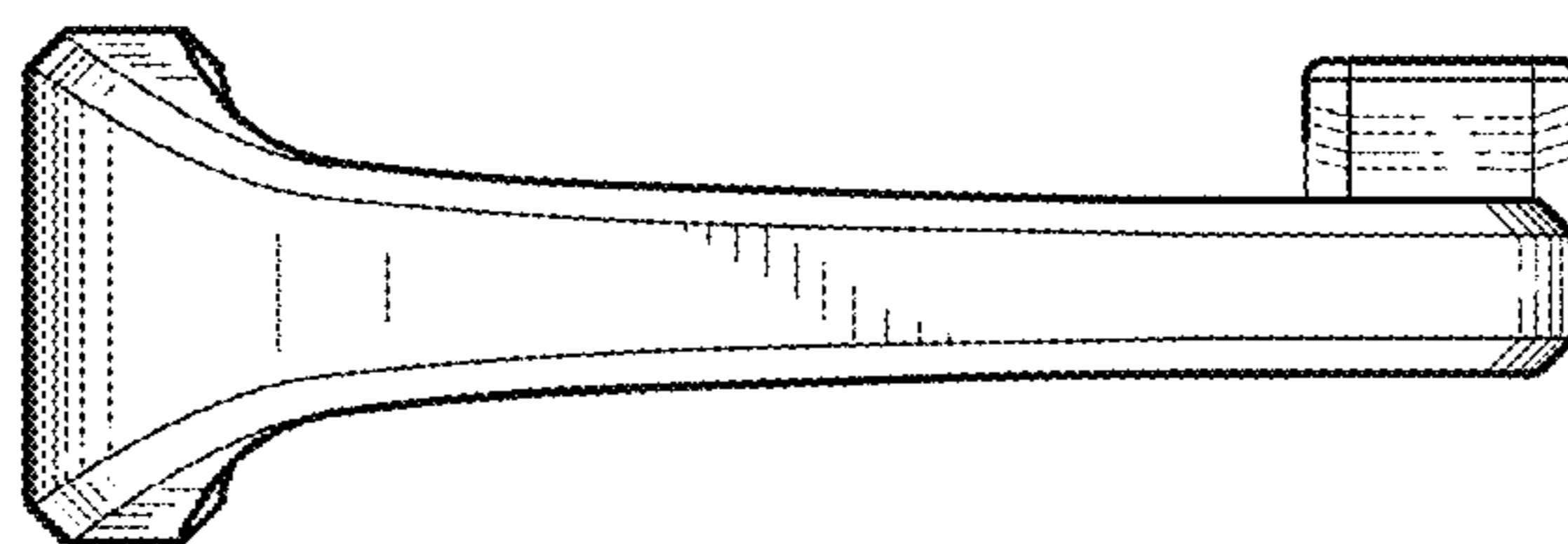


Fig-7