



US00D811117S

(12) **United States Design Patent** (10) **Patent No.:** **US D811,117 S**
Garland et al. (45) **Date of Patent:** **** Feb. 27, 2018**

(54) **TISSUE HOLDER**
 (71) Applicant: **DELTA FAUCET COMPANY**,
 Indianapolis, IN (US)
 (72) Inventors: **Celine Kwok Garland**, Zionsville, IN
 (US); **Jordan Bahler**, Frankfort, IN
 (US)
 (73) Assignee: **DELTA FAUCET COMPANY**,
 Indianapolis, IN (US)

D239,798 S * 5/1976 Vrignaud D6/533
 D246,827 S * 1/1978 Crawford D8/370
 D274,787 S * 7/1984 Cronic D8/373
 D285,411 S * 9/1986 Mahoney D8/354
 D310,147 S * 8/1990 Aaron D6/524
 D319,002 S * 8/1991 Mirza D8/372
 D373,073 S * 8/1996 Kellogg D8/373
 D494,808 S * 8/2004 Thomkins D7/394
 D563,208 S * 3/2008 Baun D8/370
 D666,898 S * 9/2012 McMahon D8/373
 8,807,903 B2 * 8/2014 Lam F16B 21/12
 24/546

(**) Term: **15 Years**

* cited by examiner

(21) Appl. No.: **29/595,211**

Primary Examiner — David G Muller

(22) Filed: **Feb. 27, 2017**

Assistant Examiner — Nathan M Johnston

(51) **LOC (11) Cl.** **23-02**

(74) *Attorney, Agent, or Firm* — Edgar A. Zarins; Nirav
D. Parikh

(52) **U.S. Cl.**
USPC **D6/523**

(58) **Field of Classification Search**
USPC D6/518–523; 211/13.1, 16, 85.5, 86.01,
211/87.01, 88.04, 100, 105.1, 105.2, 106,
211/113, 123, 181.1, 182–183; 248/49,
248/175, 176.1, 200, 201, 205.1, 251,
248/302, 309.1, 315; D8/300, 370, 315;
108/28–29; 242/570, 590, 595–598;
D25/45

(57) **CLAIM**

The ornamental design for a tissue holder, as shown and described.

CPC A47K 10/40; A47K 10/3836; A47K 10/22;
A47K 10/38; A47K 2010/389; A47K
2010/3233; A47K 2010/3872
See application file for complete search history.

DESCRIPTION

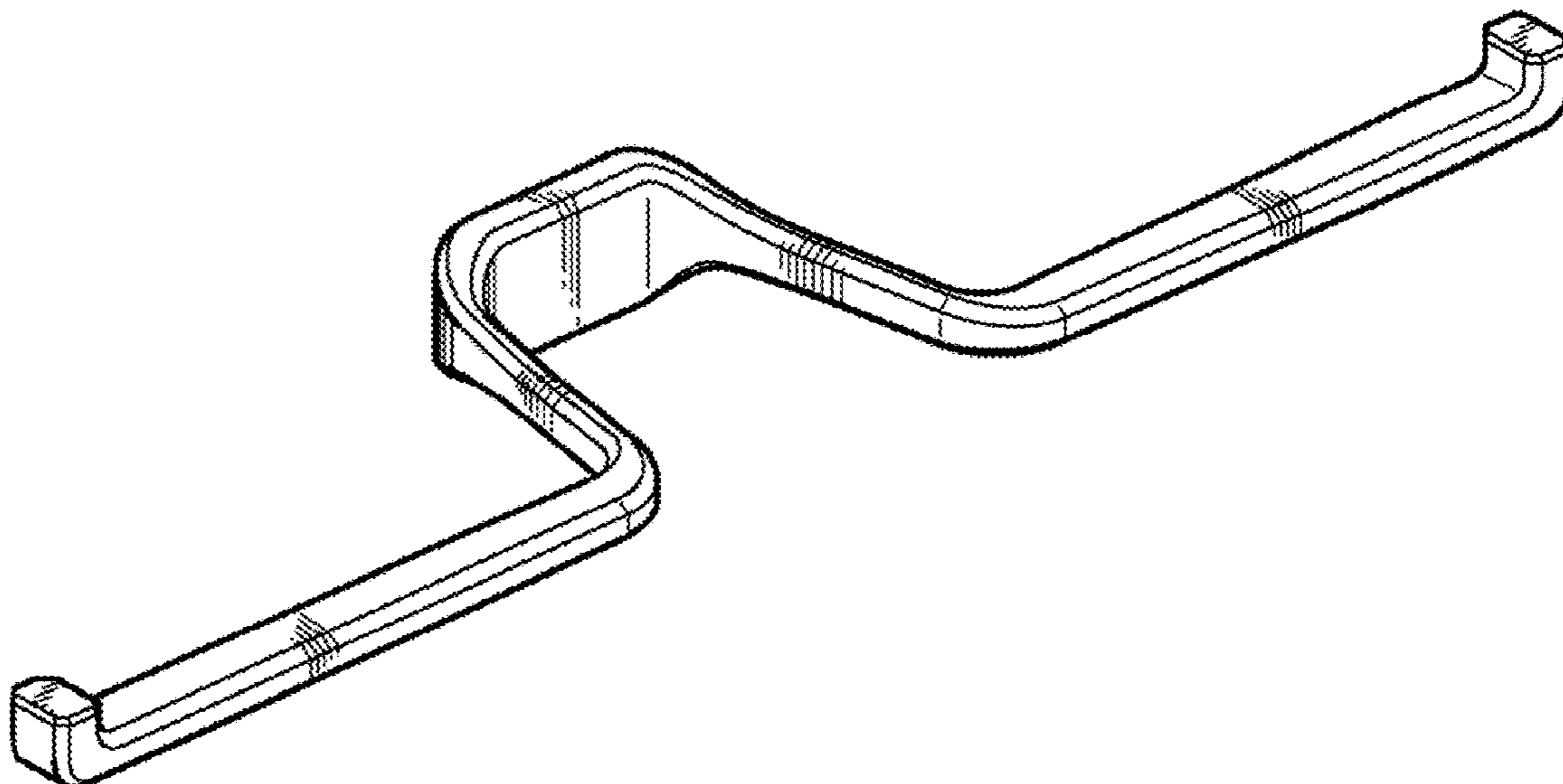
FIG. 1 is a perspective view of a tissue holder showing our new design;
FIG. 2 is a top plan view thereof;
FIG. 3 is a front elevation view thereof;
FIG. 4 is a bottom plan view thereof;
FIG. 5 is a rear elevation view thereof; and,
FIG. 6 is a left side elevation view thereof, the opposite elevation side being a mirror image of the side shown.

(56) **References Cited**

U.S. PATENT DOCUMENTS

2,807,431 A * 9/1957 McHale B44D 3/123
24/535
D231,320 S * 4/1974 James D8/316

1 Claim, 1 Drawing Sheet



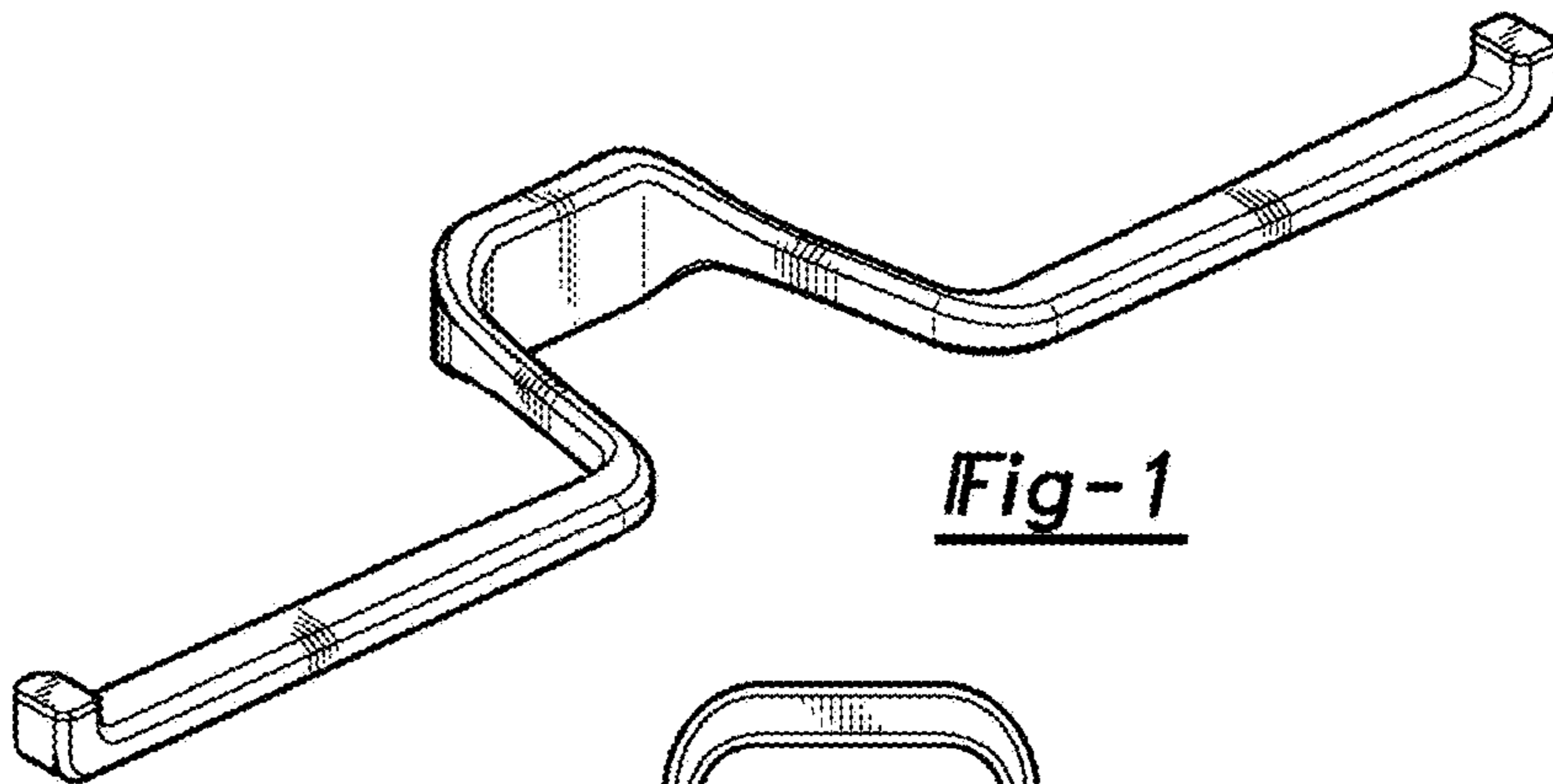


Fig-1

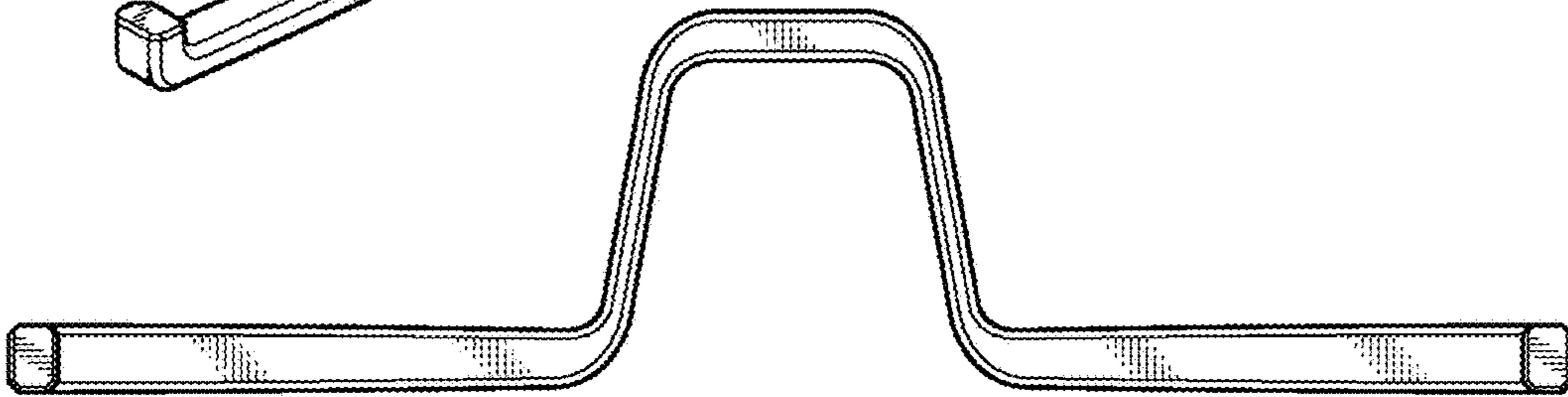


Fig-2

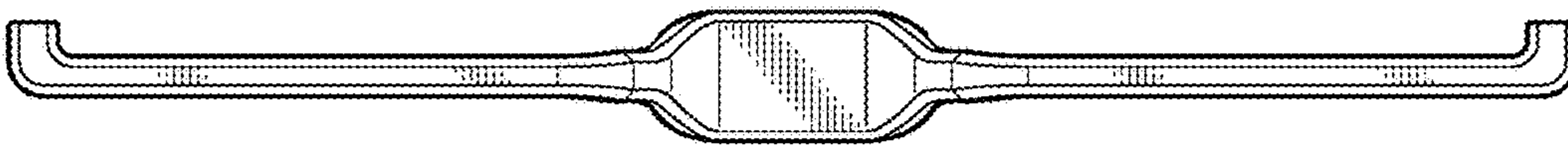


Fig-3

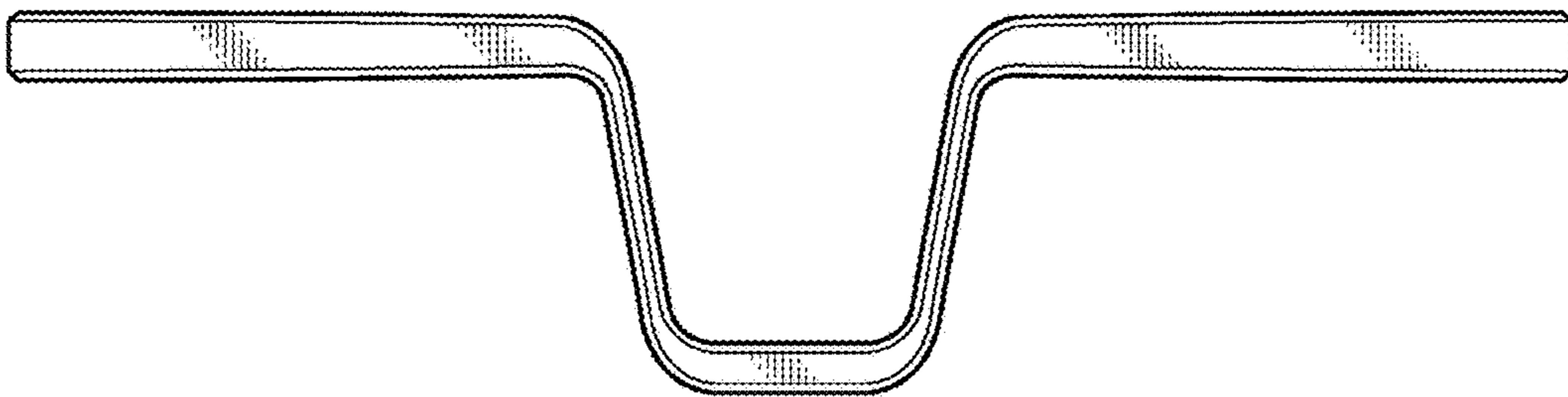


Fig-4



Fig-5

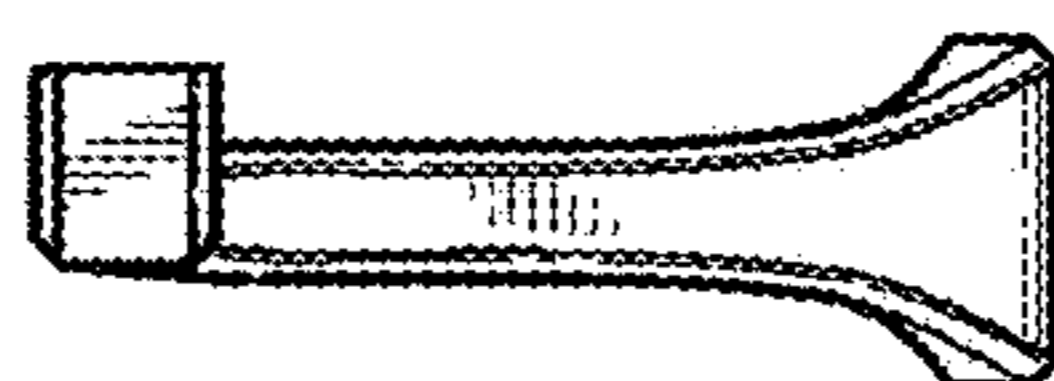


Fig-6