



US00D811115S

(12) **United States Design Patent** (10) **Patent No.:** **US D811,115 S**
Goodman et al. (45) **Date of Patent:** **** Feb. 27, 2018**

- (54) **PAPER TOWEL HOLDER**
- (71) Applicant: **Spectrum Diversified Designs, LLC**,
Streetsboro, OH (US)
- (72) Inventors: **Aaron Goodman**, Beachwood, OH
(US); **Wenyue Wang**, Stow, OH (US)
- (73) Assignee: **Spectrum Diversified Designs, LLC**,
Streetsboro, OH (US)

D582,709 S *	12/2008	Goodman	D6/521
D609,949 S *	2/2010	Yang	D6/521
D628,836 S *	12/2010	Guindi	D6/521
D628,837 S *	12/2010	Goodman	D6/521
D628,838 S *	12/2010	Goodman	D6/521
D631,271 S *	1/2011	Goodman	D6/521
D653,889 S *	2/2012	Guindi	D6/521
D667,662 S *	9/2012	Goodman	D6/521
D699,046 S *	2/2014	Goodman	D6/521
D723,832 S *	3/2015	Goodman	D6/521
D758,755 S *	6/2016	Goodman	D6/521

(Continued)

(**) Term: **15 Years**

(21) Appl. No.: **29/596,728**

(22) Filed: **Mar. 10, 2017**

(51) **LOC (11) Cl.** **20-02**

(52) **U.S. Cl.**
USPC **D6/521**

(58) **Field of Classification Search**
USPC D6/518-522; 211/13.1, 45, 59.1, 89.01;
248/309.1, 309.2; 242/590, 597.7;
206/389, 391
CPC A47K 10/04; A47K 10/10; A47K 10/3836;
A47K 2010/324; A47K 2010/389; B08B
1/006

See application file for complete search history.

(56) **References Cited**

U.S. PATENT DOCUMENTS

D390,054 S *	2/1998	Goodman	D6/521
D405,304 S *	2/1999	Goodman	D6/521
D438,737 S *	3/2001	Goodman	D6/522
D452,398 S *	12/2001	Hollinger	D6/522
6,405,973 B1 *	6/2002	Hollinger	A47K 10/38 242/591
D474,361 S *	5/2003	Ancona	D6/521
D474,633 S *	5/2003	Ancona	D6/521
D474,635 S *	5/2003	Ancona	D6/521
6,726,145 B1 *	4/2004	Kraus	A47K 10/3836 242/422.5
D576,825 S *	9/2008	Goodman	D6/521

OTHER PUBLICATIONS

Spectrum diversified.com, Stripe Paper Towel Holder, Oct. 26, 2017, <https://www.spectrumdiversified.com/products/stripe-paper-towel-holder> (Year: 2017).*

(Continued)

Primary Examiner — David G Muller
Assistant Examiner — Nathan M Johnston
(74) *Attorney, Agent, or Firm* — Tucker Ellis LLP;
Patrick F. Clunk

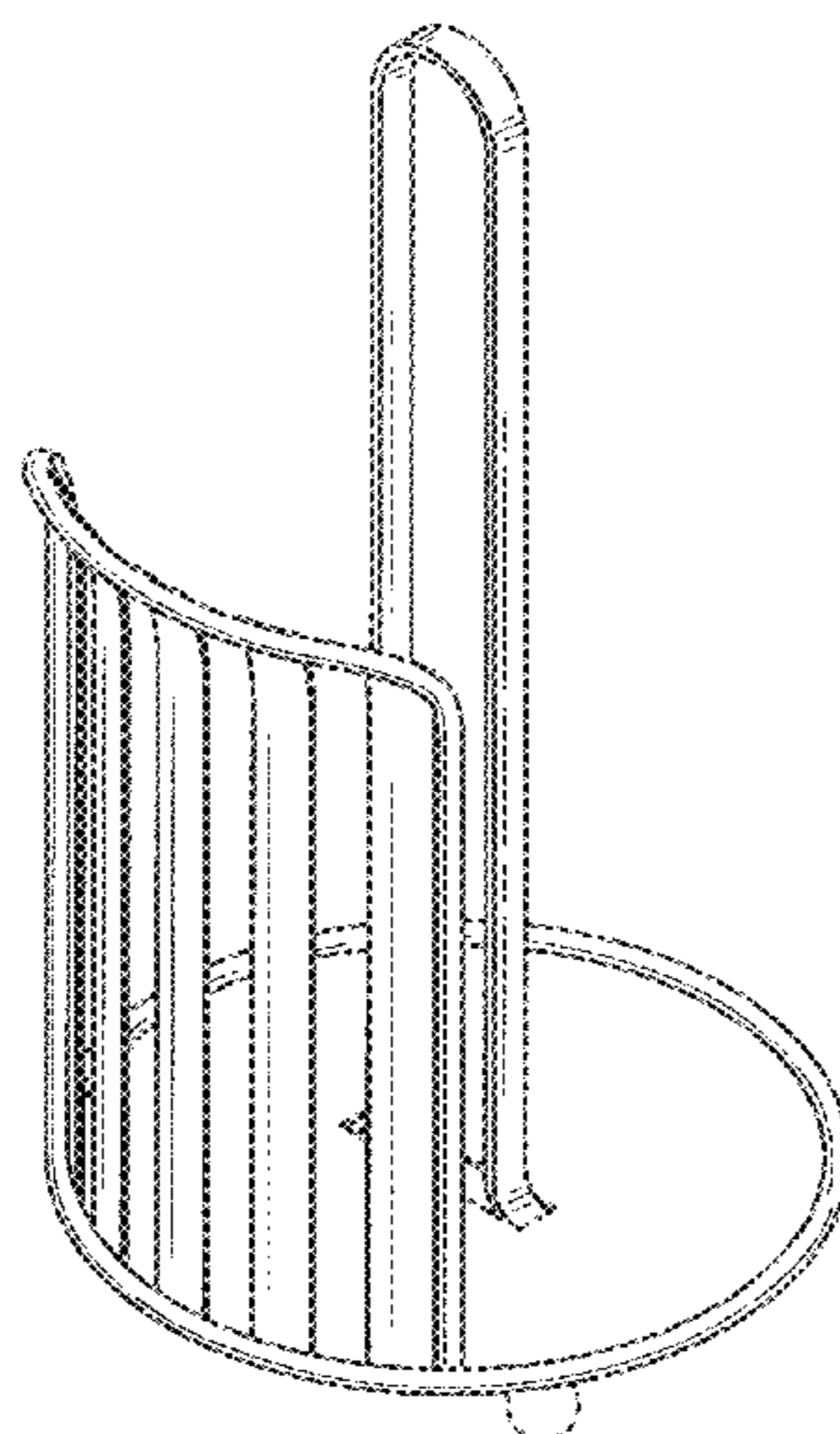
(57) **CLAIM**

The ornamental design for a paper towel holder, as shown and described.

DESCRIPTION

FIG. 1 is a perspective view of a paper towel holder showing our new design.
FIG. 2 is a front elevation view thereof.
FIG. 3 is a rear elevation view thereof.
FIG. 4 is a right side elevation view thereof.
FIG. 5 is a left side elevation view thereof.
FIG. 6 is a top plan view thereof; and,
FIG. 7 is a bottom plan view thereof.
The broken lines show portions of the design that form no part of the claimed design.

1 Claim, 4 Drawing Sheets



(56)

References Cited

U.S. PATENT DOCUMENTS

D758,756 S * 6/2016 Goodman D6/521
D771,969 S * 11/2016 Hsu D6/521
D787,226 S * 5/2017 Goodman D6/521
D794,977 S * 8/2017 Goodman D6/521
2016/0174780 A1* 6/2016 Bowen A47K 10/3836
242/597.7

OTHER PUBLICATIONS

U.S. Appl. No. 29/589,916, filed Jan. 5, 2017 entitled: Fruit Bowl.

* cited by examiner

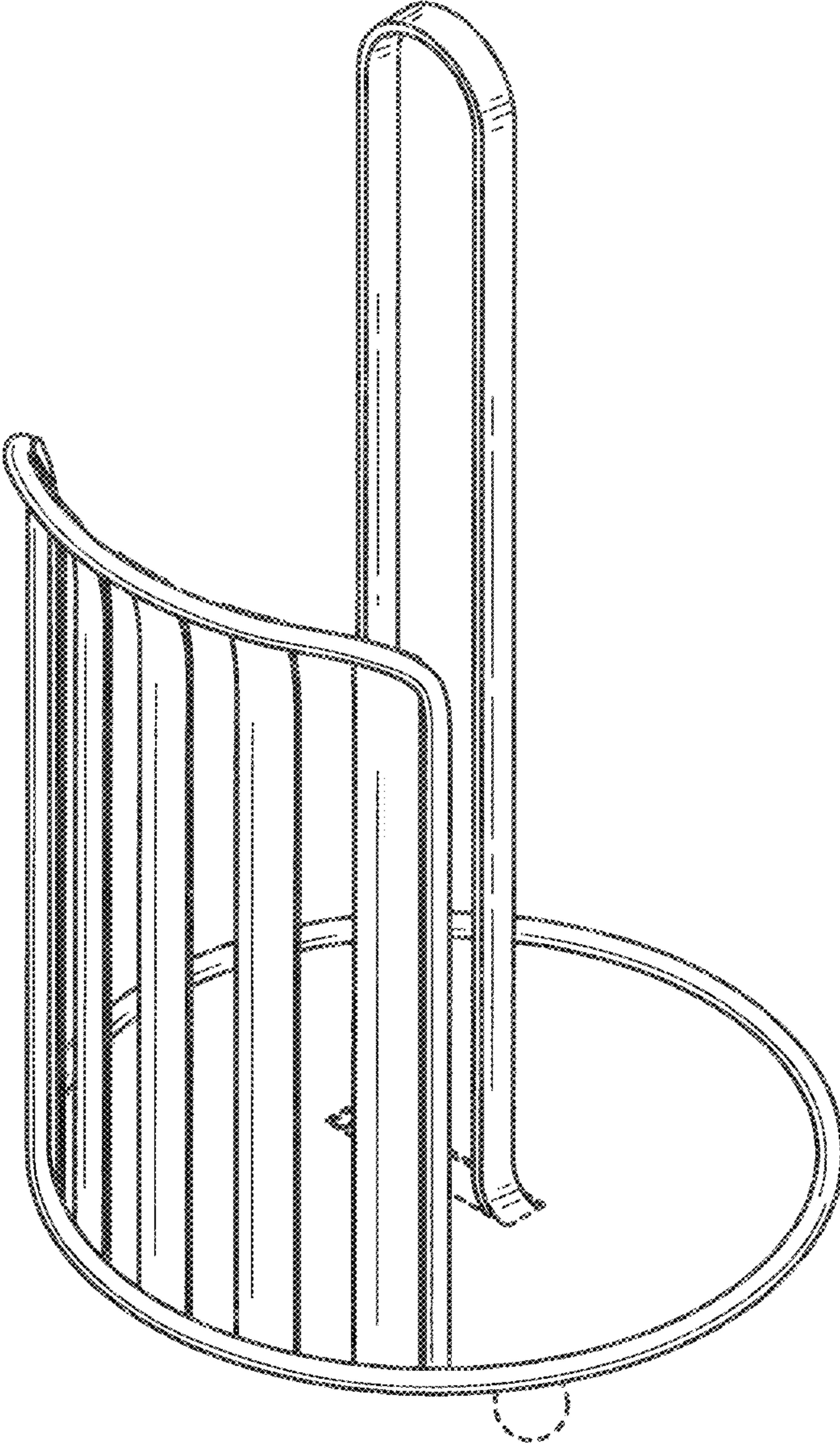


FIG. 1

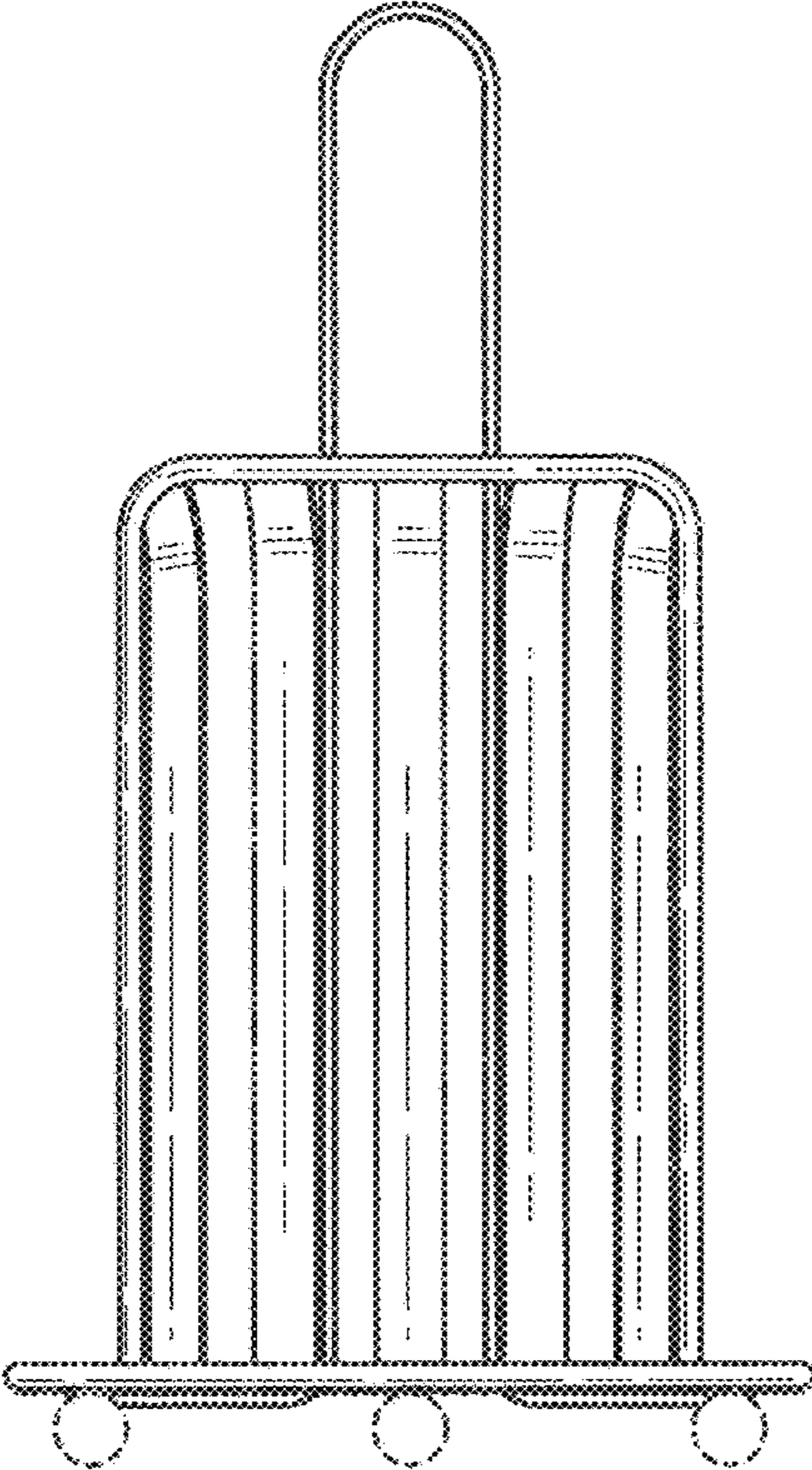


FIG. 2

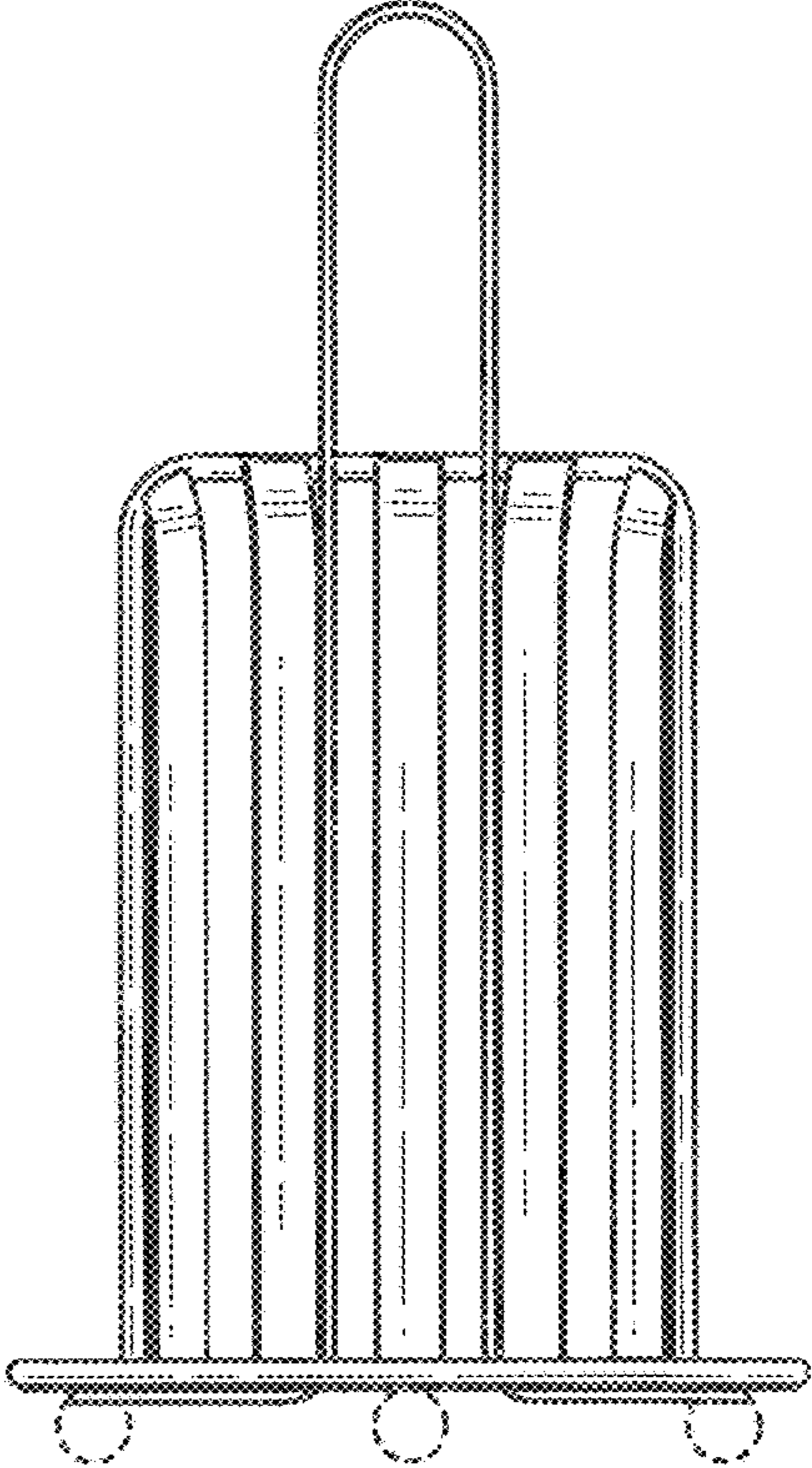


FIG. 3

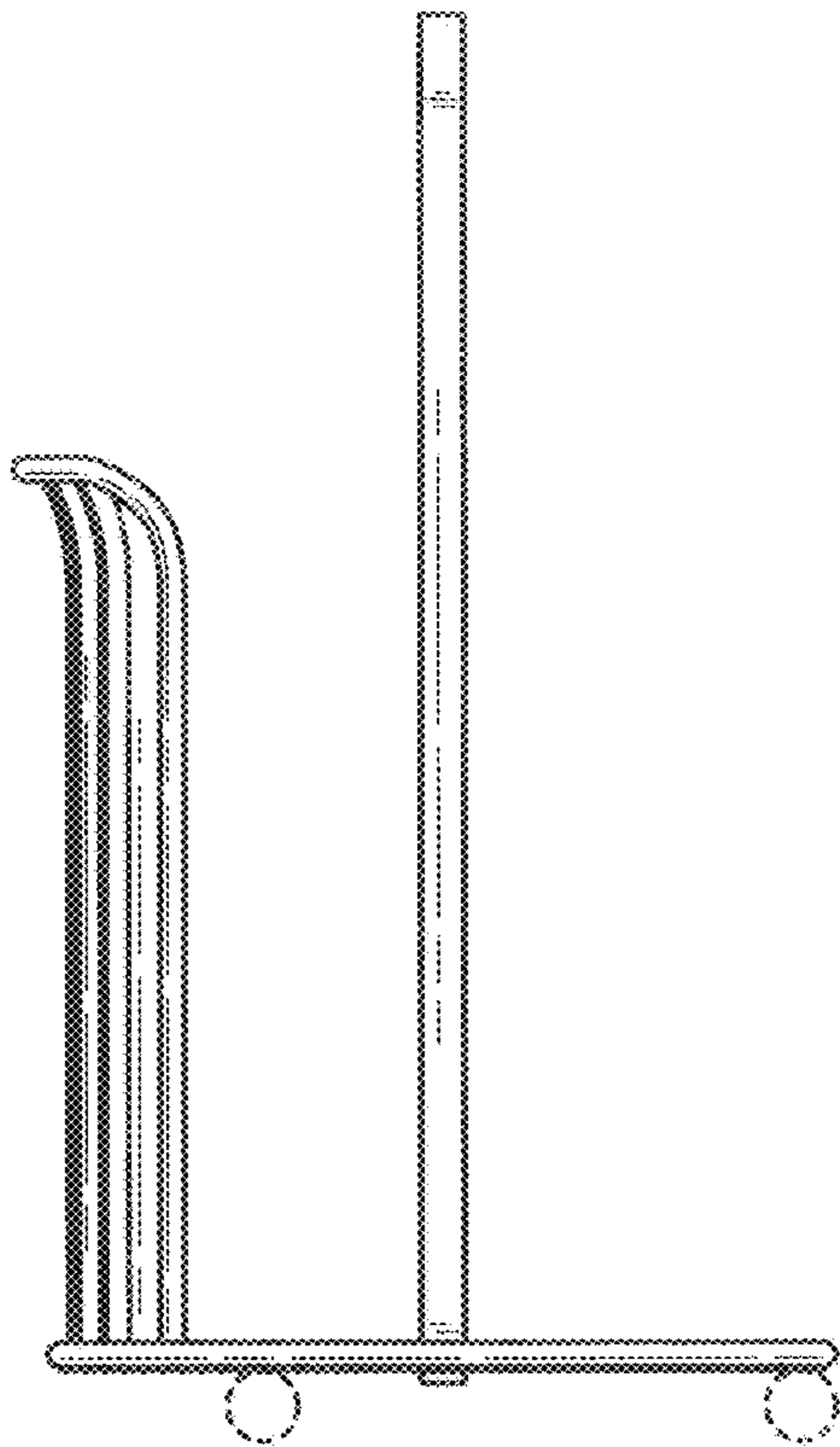


FIG. 4

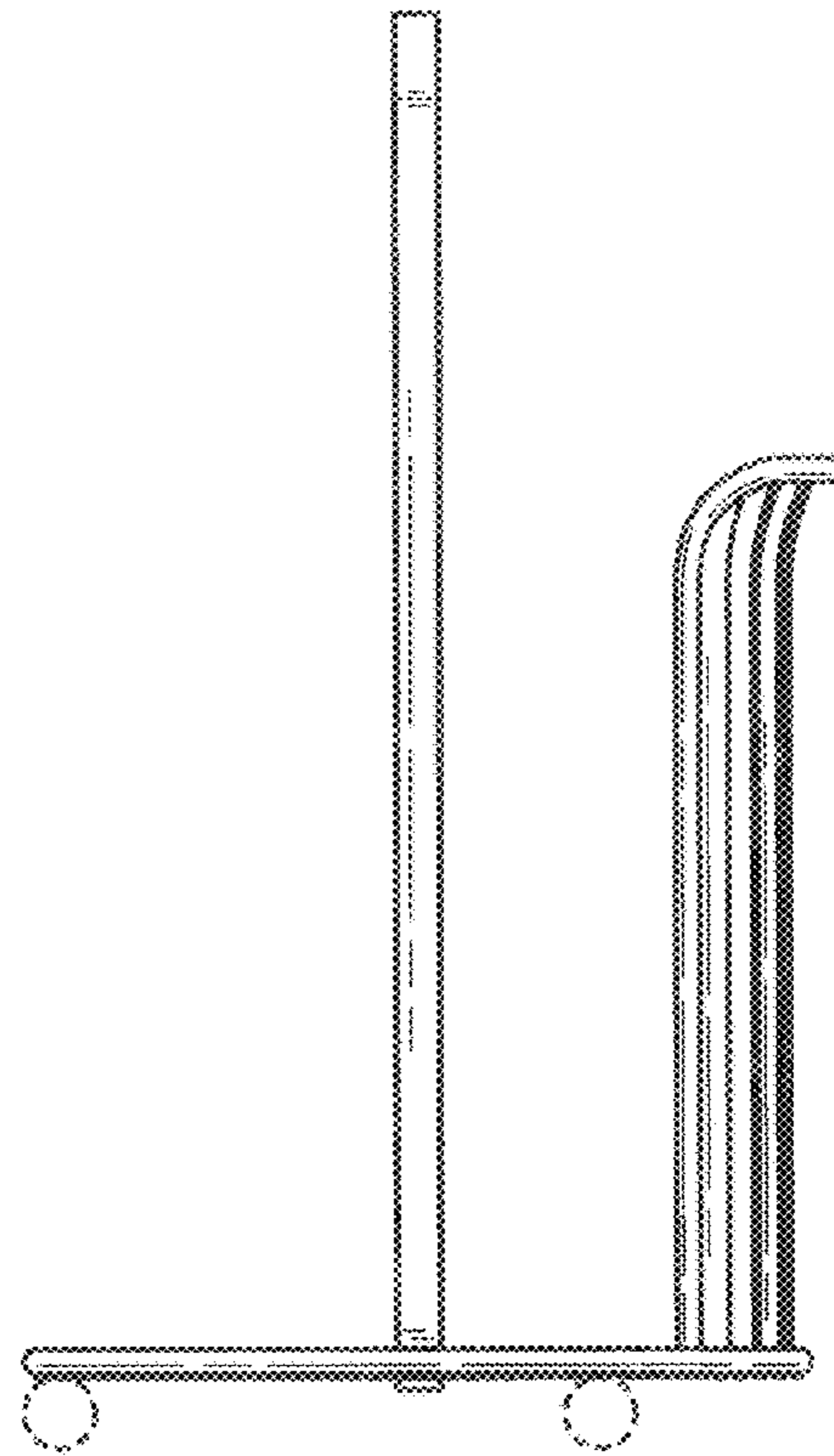


FIG. 5

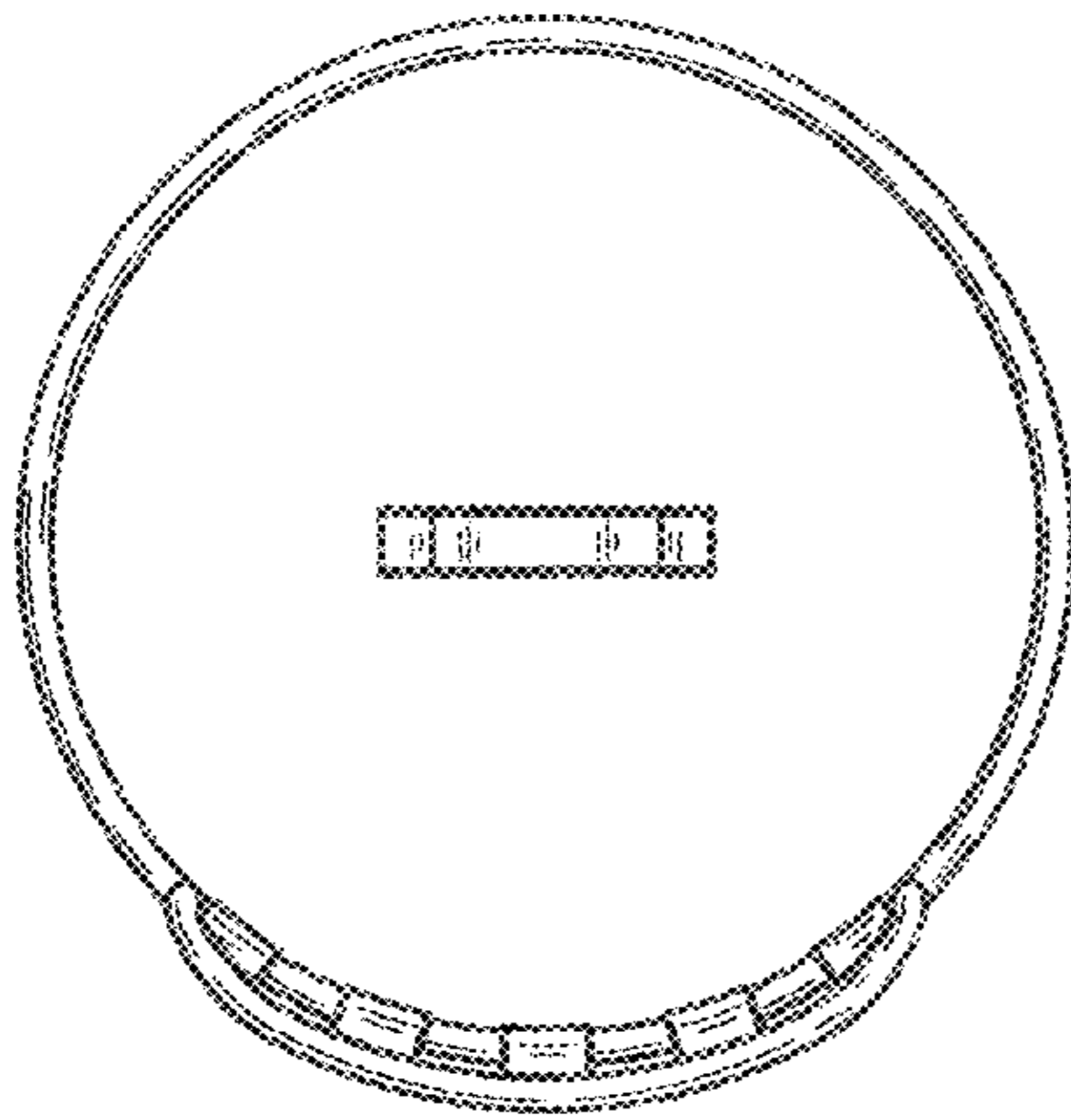


FIG. 6

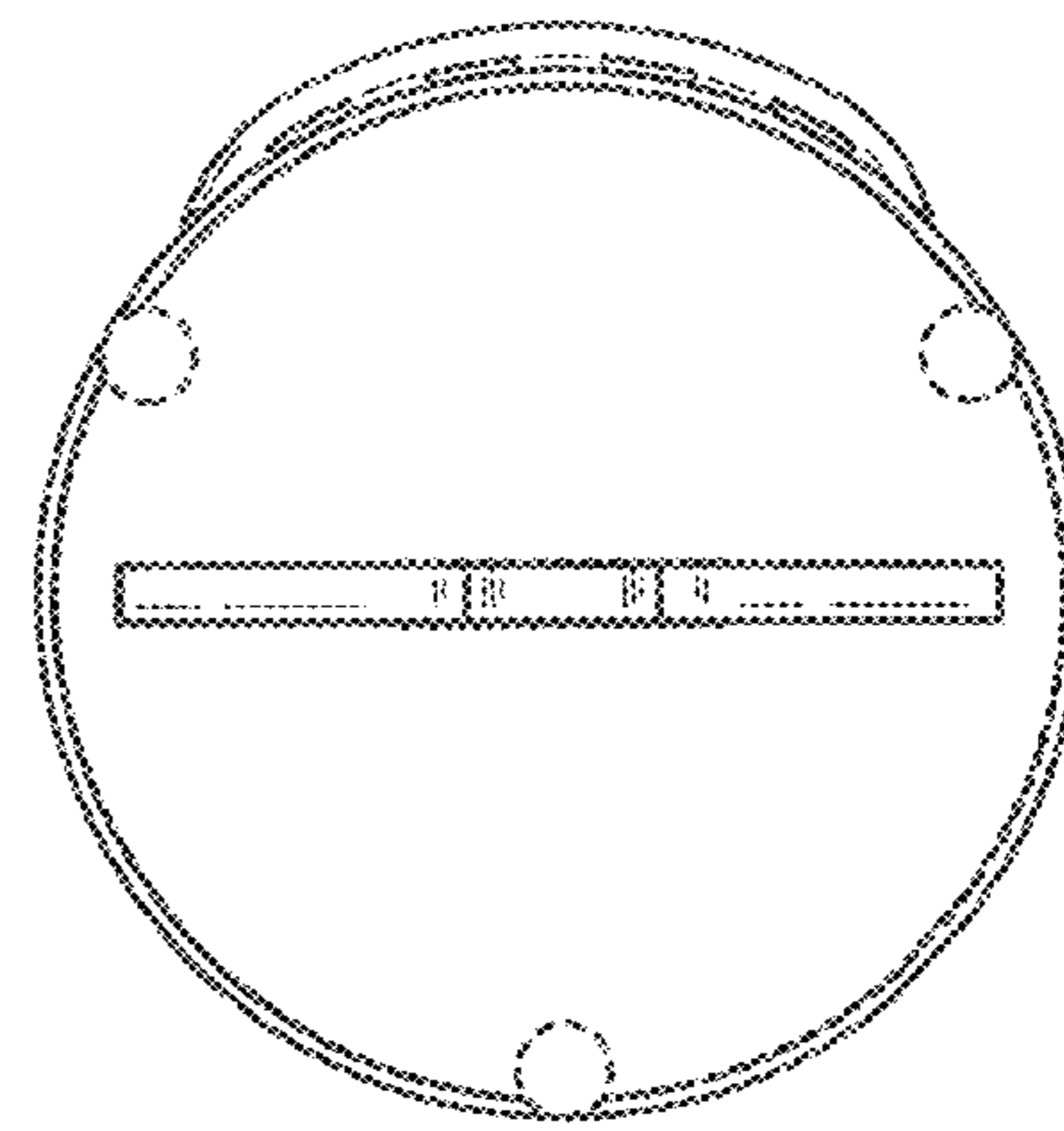


FIG. 7