



US00D811114S

(12) **United States Design Patent** (10) **Patent No.:** **US D811,114 S**
Goodman et al. (45) **Date of Patent:** **** Feb. 27, 2018**

(54) **PAPER TOWEL HOLDER**
(71) Applicant: **Spectrum Diversified Designs, LLC**,
Streetsboro, OH (US)
(72) Inventors: **Aaron Goodman**, Beachwood, OH
(US); **Courtney Wilson**, Chardon, OH
(US)
(73) Assignee: **Spectrum Diversified Designs, LLC**,
Streetsboro, OH (US)

D582,709 S * 12/2008 Goodman D6/521
D609,949 S * 2/2010 Yang D6/521
D628,836 S * 12/2010 Guindi D6/521
D628,837 S * 12/2010 Goodman D6/521
D628,838 S * 12/2010 Goodman D6/521
D631,271 S * 1/2011 Goodman D6/521
D653,889 S * 2/2012 Guindi D6/521
D667,662 S * 9/2012 Goodman D6/521
D699,046 S * 2/2014 Goodman D6/521
D723,832 S * 3/2015 Goodman D6/521
D758,755 S * 6/2016 Goodman D6/521

(Continued)

(**) Term: **15 Years**

OTHER PUBLICATIONS

(21) Appl. No.: **29/590,671**

Spectrum diversified.com, Madison Paper Towel Holder, Oct. 26, 2017, <https://www.spectrumdiversified.com/products/madison-paper-towel-holder> (Year: 2017).*

(22) Filed: **Jan. 12, 2017**

(51) **LOC (11) Cl.** **20-02**

(52) **U.S. Cl.**
USPC **D6/521**

(58) **Field of Classification Search**
USPC D6/518-522; 211/13.1, 45, 59.1, 89.01;
248/309.1, 309.2; 242/590, 597.7;
206/389, 391
CPC A47K 10/04; A47K 10/10; A47K 10/3836;
A47K 2010/324; A47K 2010/389; B08B
1/006

See application file for complete search history.

Primary Examiner — David G Muller
Assistant Examiner — Nathan M Johnston
(74) *Attorney, Agent, or Firm* — Tucker Ellis LLP;
Patrick F. Clunk

(57) **CLAIM**

The ornamental design for a paper towel holder, as shown and described.

(56) **References Cited**

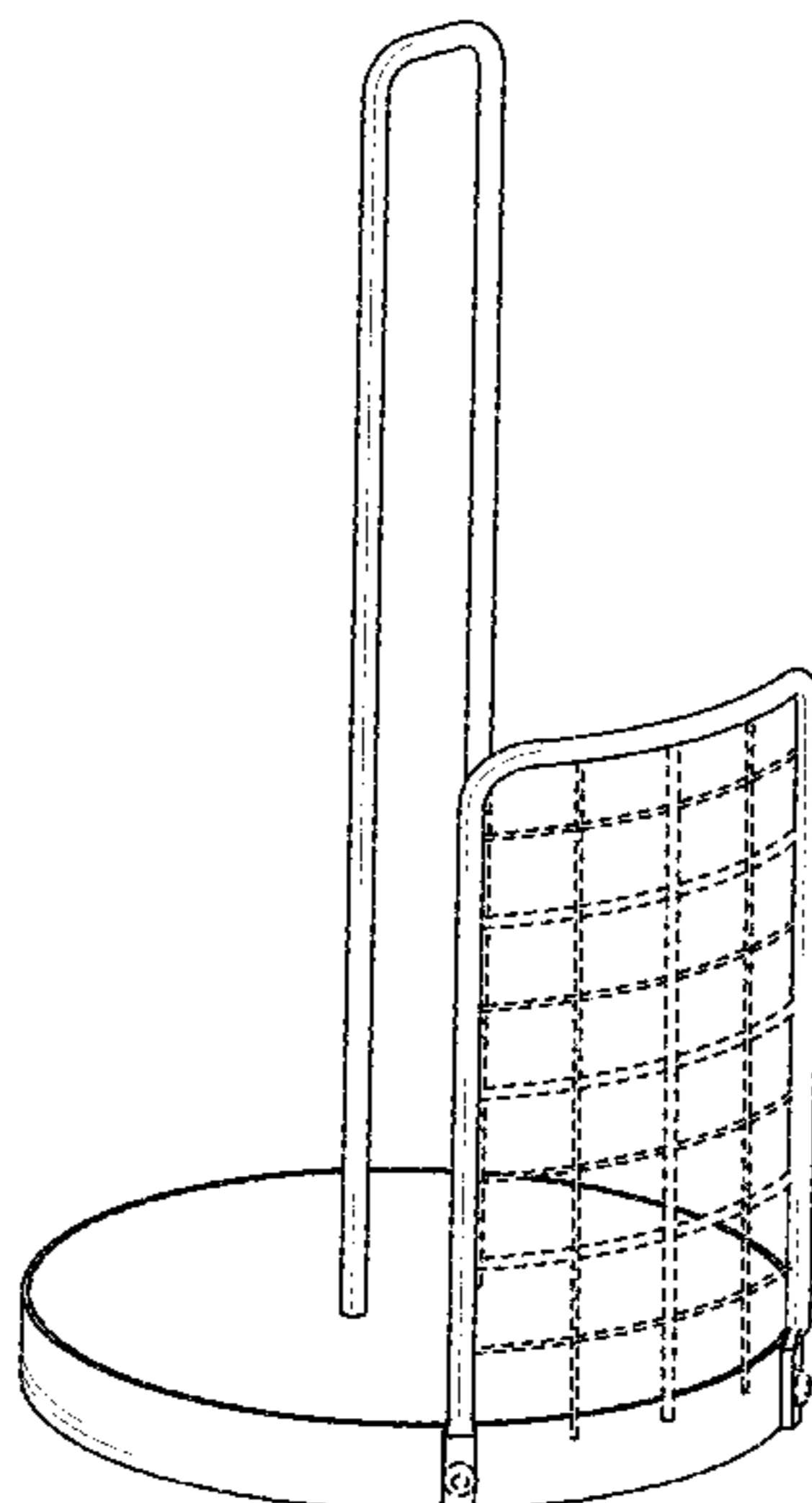
DESCRIPTION

U.S. PATENT DOCUMENTS

D390,054 S * 2/1998 Goodman D6/521
D405,304 S * 2/1999 Goodman D6/521
D438,737 S * 3/2001 Goodman D6/522
D452,398 S * 12/2001 Hollinger D6/522
6,405,973 B1 * 6/2002 Hollinger A47K 10/38
242/591
D474,361 S * 5/2003 Ancona D6/521
D474,633 S * 5/2003 Ancona D6/521
D474,635 S * 5/2003 Ancona D6/521
6,726,145 B1 * 4/2004 Kraus A47K 10/3836
242/422.5
D576,825 S * 9/2008 Goodman D6/521

FIG. 1 is a perspective view of a paper towel holder showing our new design.
FIG. 2 is a front elevation view thereof.
FIG. 3 is a rear elevation view thereof.
FIG. 4 is a left side elevation view thereof, a right side elevation view being a mirror image.
FIG. 5 is a top plan view thereof; and,
FIG. 6 is a bottom plan view thereof.
The broken lines show portions of the design that form no part of the claimed design.

1 Claim, 4 Drawing Sheets



(56)

References Cited

U.S. PATENT DOCUMENTS

D758,756 S *	6/2016	Goodman	D6/521
D771,969 S *	11/2016	Hsu	D6/521
D787,226 S *	5/2017	Goodman	D6/521
D794,977 S *	8/2017	Goodman	D6/521
2016/0174780 A1 *	6/2016	Bowen	A47K 10/3836 242/597.7

* cited by examiner

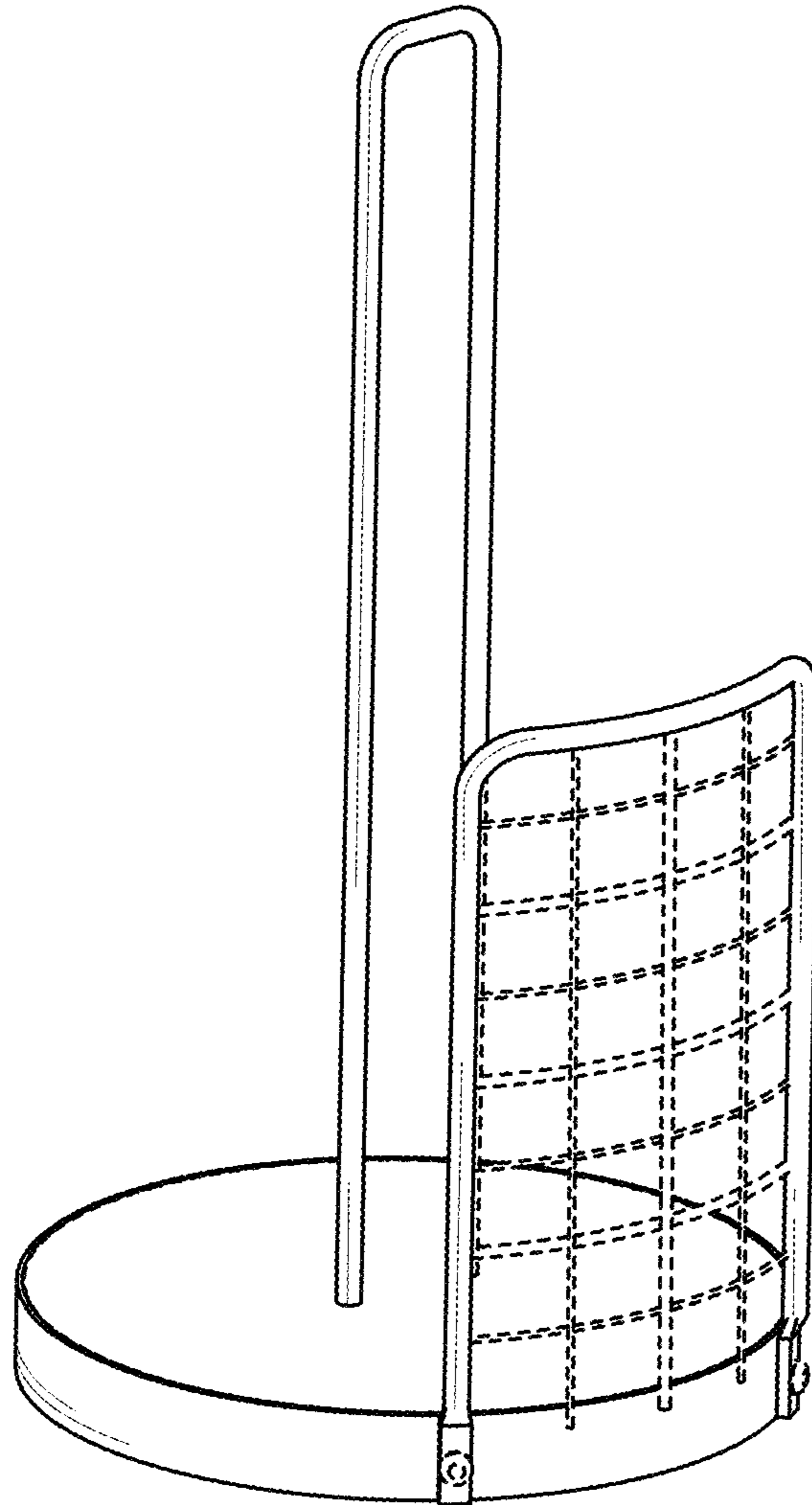


FIG. 1

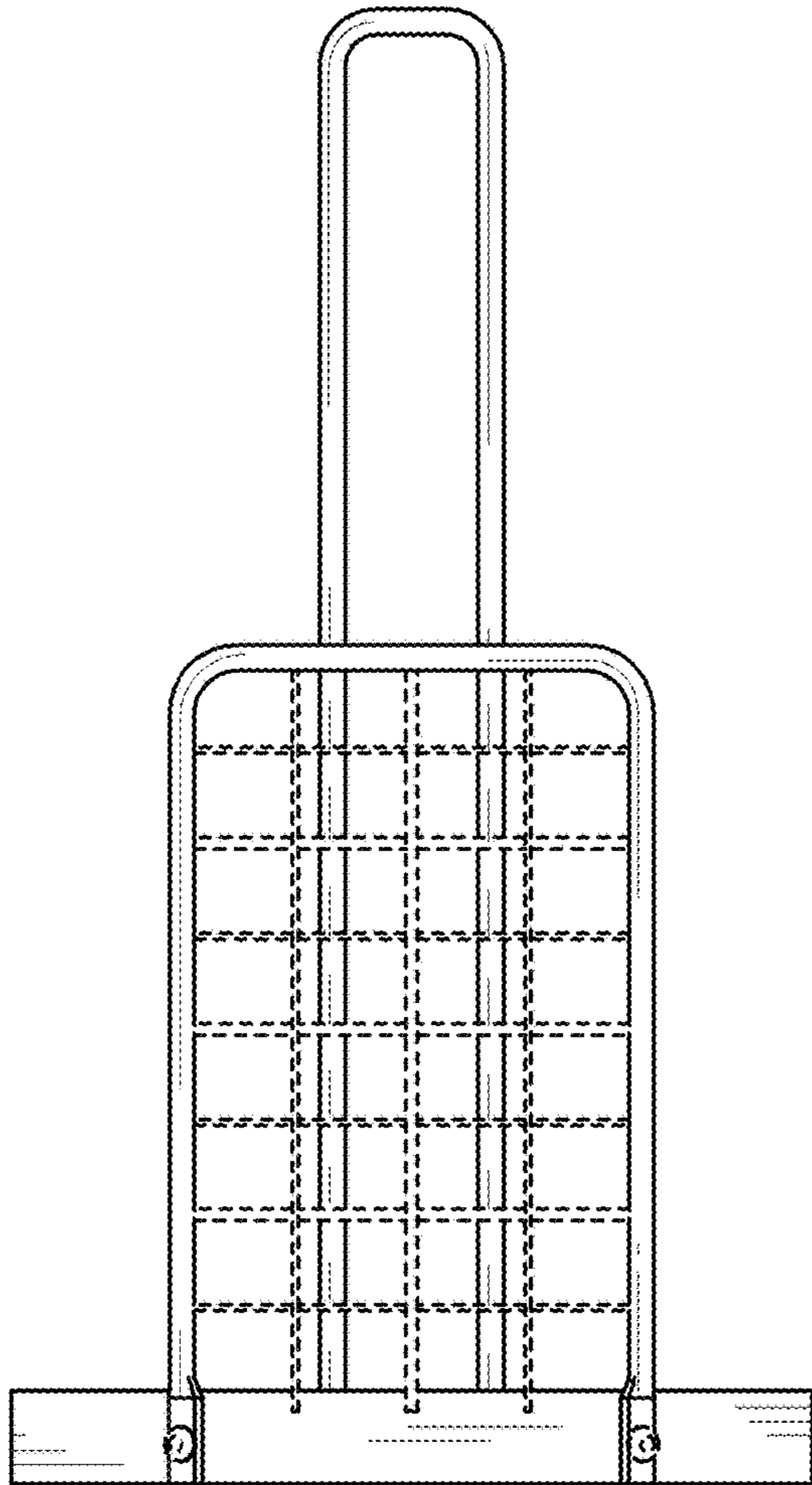


FIG. 2

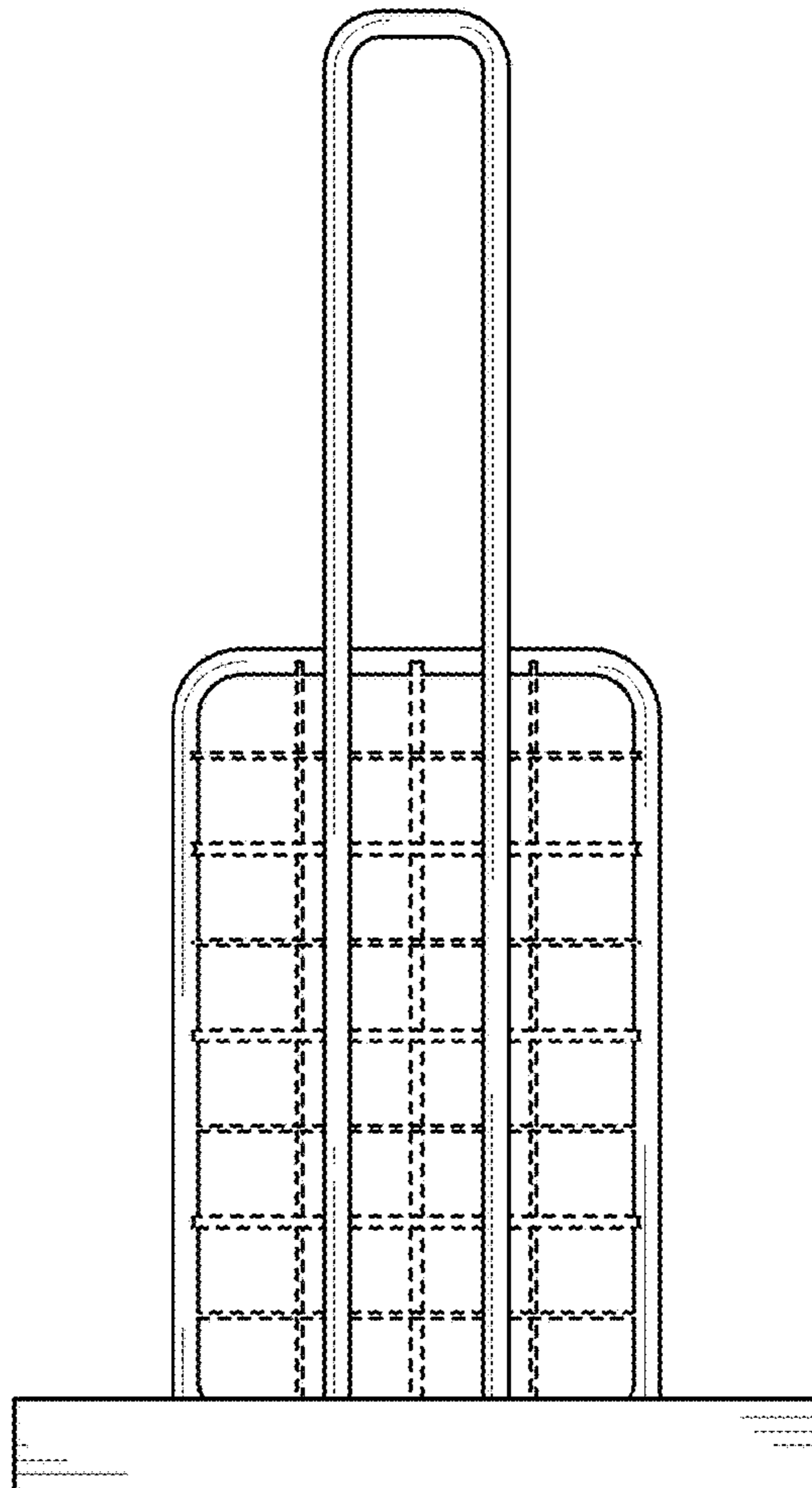


FIG. 3

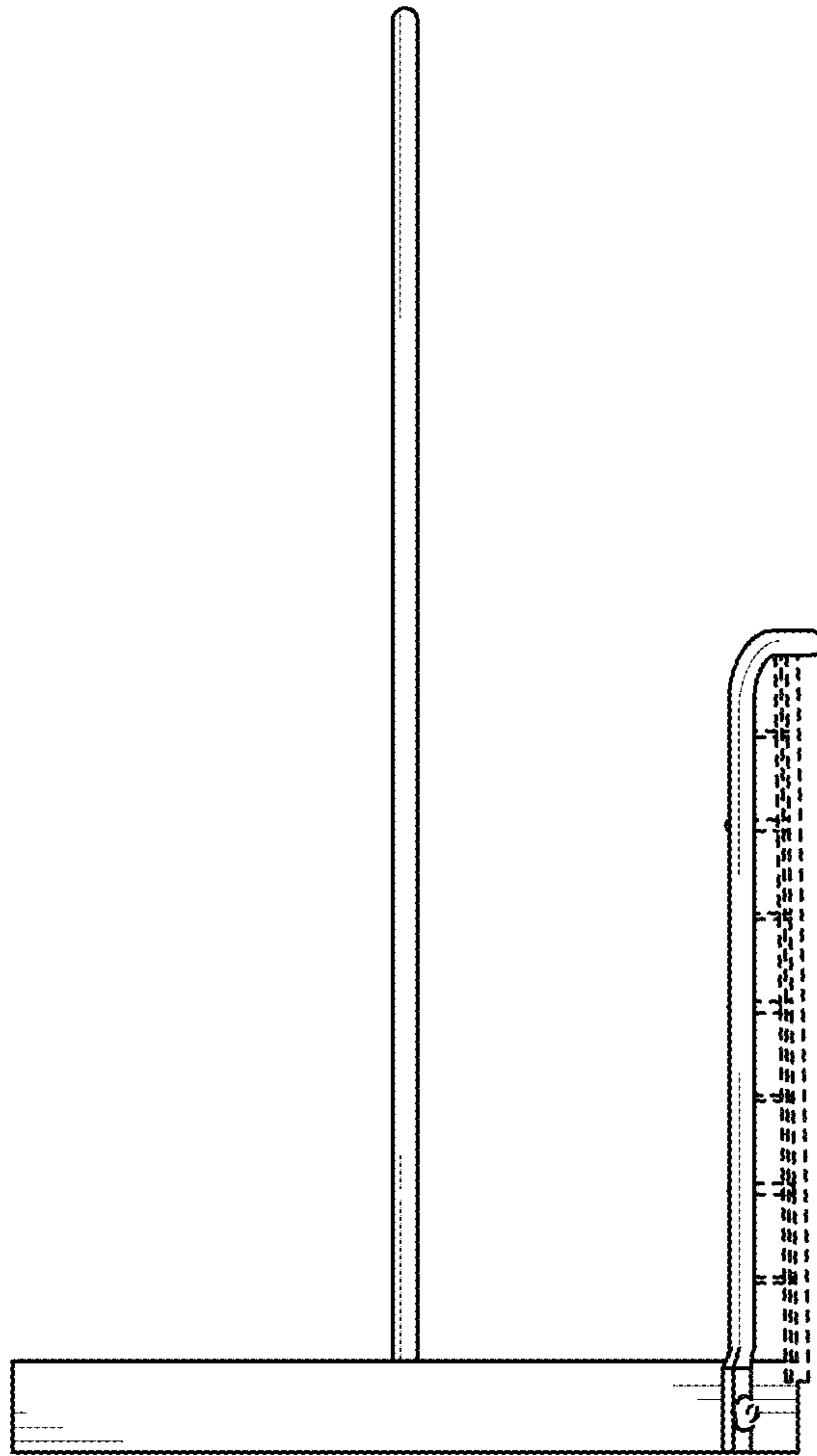


FIG. 4

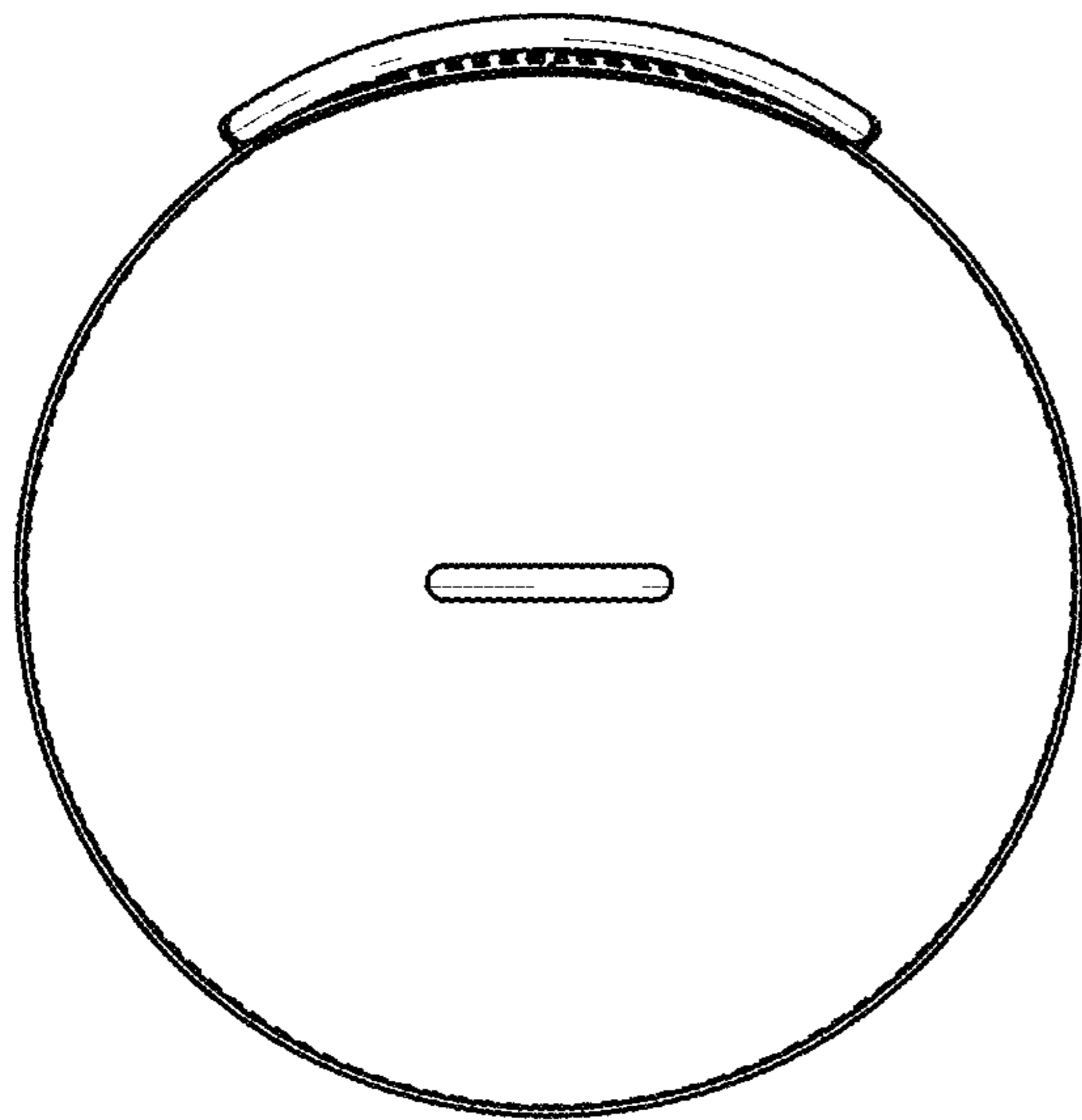


FIG. 5

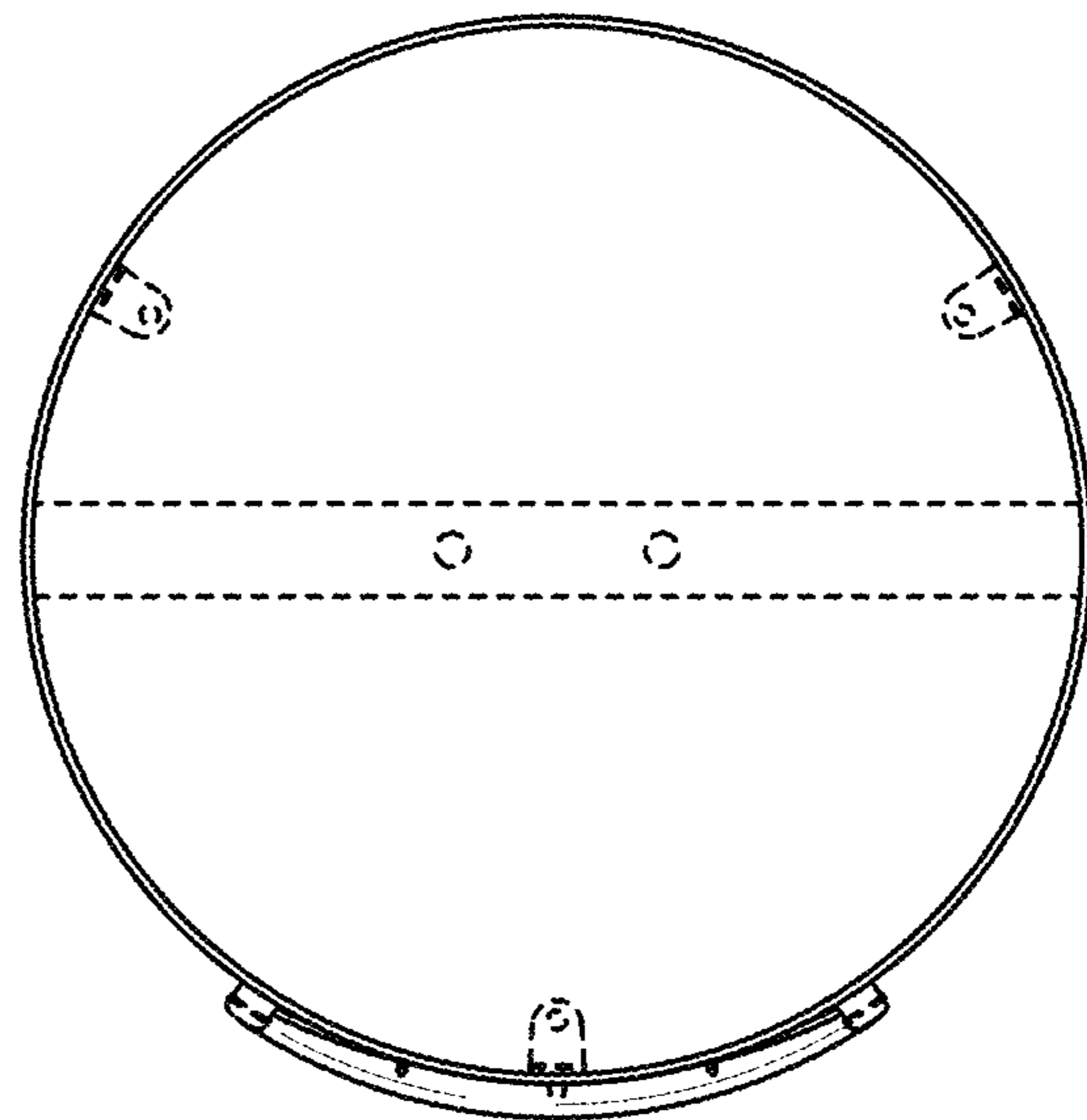


FIG. 6