



US00D811113S

(12) **United States Design Patent** (10) **Patent No.:** **US D811,113 S**
Rawls-Meehan et al. (45) **Date of Patent:** **** Feb. 27, 2018**

(54) **ADJUSTABLE BED FOUNDATION**

(71) Applicant: **ASCION, LLC**, Bloomfield Hills, MI (US)

(72) Inventors: **Martin B. Rawls-Meehan**, Franklin, MI (US); **Kyle Allen Nagelkirk**, Waterford, MI (US)

(73) Assignee: **ASCION, LLC**, Bloomfield Hills, MI (US)

(**) Term: **15 Years**

(21) Appl. No.: **29/552,547**

(22) Filed: **Jan. 22, 2016**

(51) **LOC (11) Cl.** **06-02**

(52) **U.S. Cl.**
USPC **D6/392; D6/718**

(58) **Field of Classification Search**
USPC D6/382, 383, 384, 392, 718, 719, 596, D6/605, 606, 610, 611, 705.4, 707.24
CPC A61G 7/002; A61G 7/012; A61G 7/015; A61G 7/0573; A47C 19/021; A47C 19/005; A47C 19/04; A47C 19/02; A47C 19/025; A47C 27/15; A47C 3/36; A47C 3/38; A47C 20/04; A47C 20/041
See application file for complete search history.

(56) **References Cited**

U.S. PATENT DOCUMENTS

D221,413 S *	8/1971	Kjellberg et al.	D6/392
3,921,230 A *	11/1975	Hanning	A47C 20/041
			5/616
D243,213 S *	2/1977	Kormos	D6/382
D251,039 S *	2/1979	Reppas	D6/384
4,225,988 A *	10/1980	Cary	A61G 7/015
			5/607
5,392,479 A *	2/1995	Liao	A61G 7/001
			5/607
6,276,011 B1 *	8/2001	Antinori	A47C 20/041
			5/613
D479,082 S *	9/2003	Daughtery	D6/596

(Continued)

Primary Examiner — Cathron C Brooks

(74) *Attorney, Agent, or Firm* — Dinsmore & Shohl LLP

(57) **CLAIM**

The ornamental design for an adjustable bed foundation, as shown and described.

DESCRIPTION

FIG. 1 is a perspective view of an adjustable bed foundation in an articulated position, and shown without a removable cover on the upper deck;

FIG. 2 is a side view of the adjustable bed foundation of FIG. 1, the opposite side being a mirror image thereof;

FIG. 3 is a perspective view of the adjustable bed foundation of FIG. 1 in a flat position;

FIG. 4 is a side view of the adjustable bed foundation of FIG. 3, the opposite side being a mirror image thereof;

FIG. 5 is a perspective view of the adjustable bed foundation of FIG. 1, but shown with the removable cover on the upper deck;

FIG. 6 is a side view of the adjustable bed foundation of FIG. 5, the opposite side being a mirror image thereof;

FIG. 7 is a perspective view of the adjustable bed foundation of FIG. 5 in a flat position; and,

FIG. 8 is a side view of the adjustable bed foundation of FIG. 7, the opposite side being a mirror image thereof.

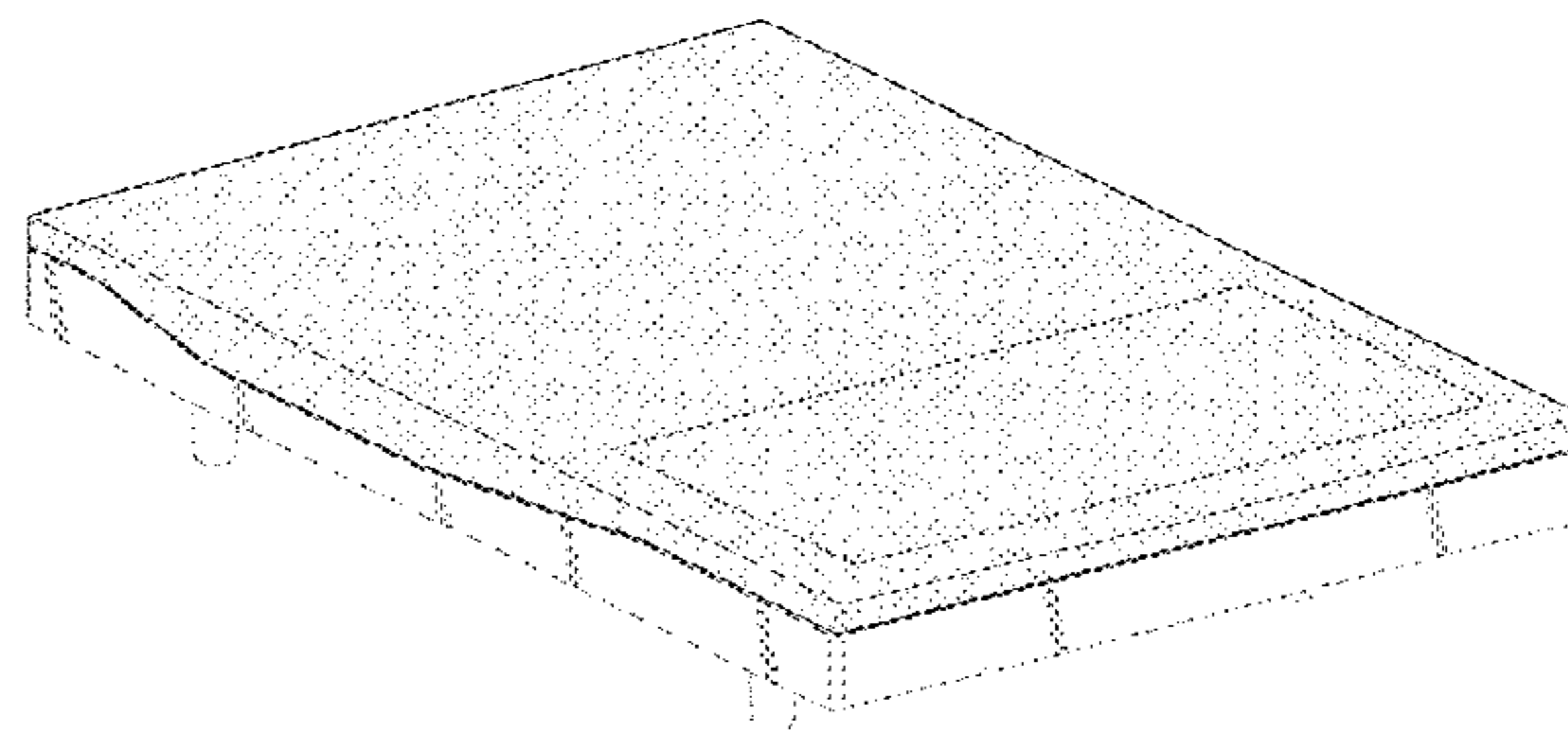
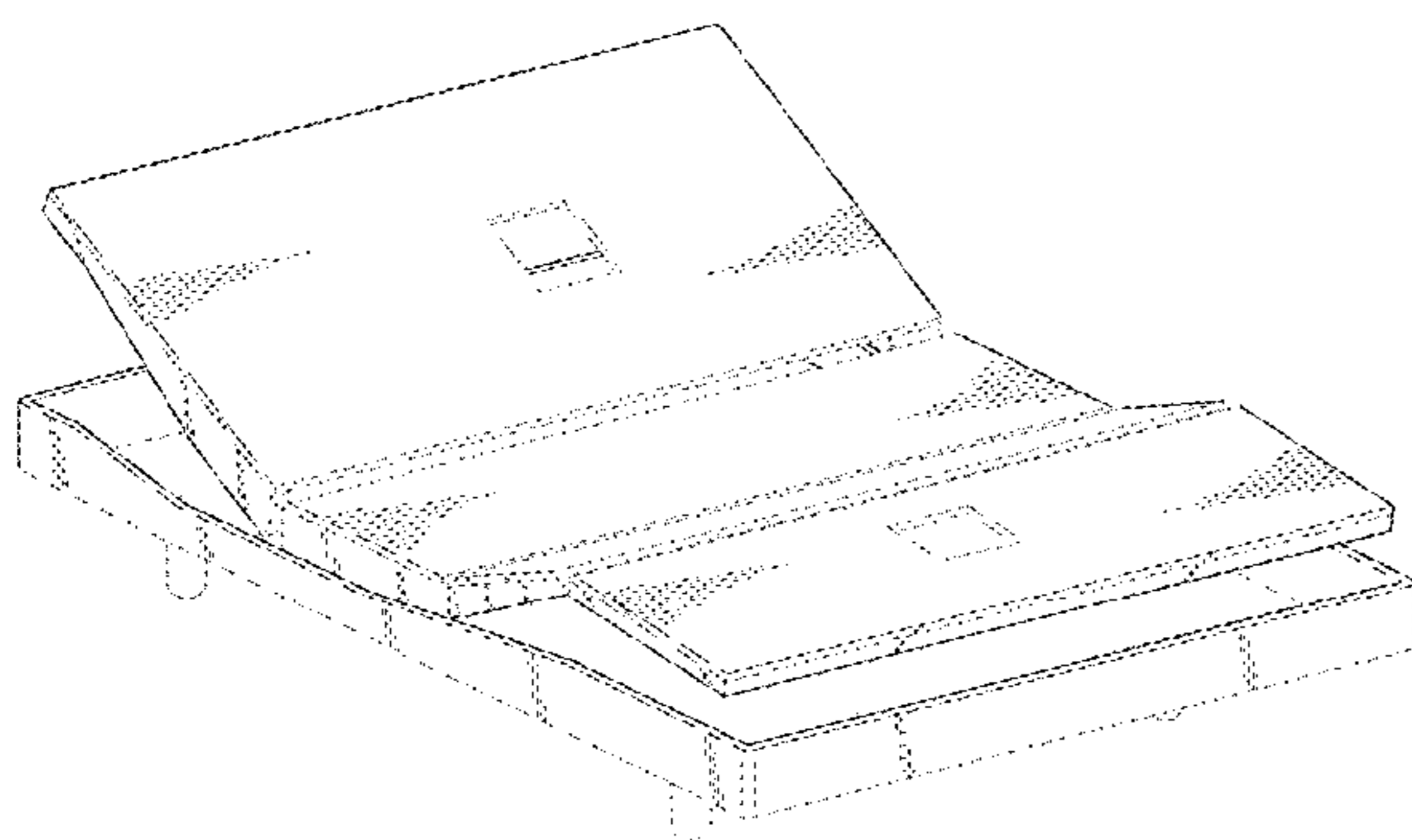
The broken lines shown in the Figures are portions of the adjustable bed foundation and form no part of the claimed design.

The dashed lines in FIG. 5 represent folds in the cover and do not represent surface ornamentation.

Surface shading lines are provided to show surface shading and do not represent surface ornamentation.

The stipple shading on the cover portion in FIGS. 6-8 represent a contrasting appearance from the straight line shading.

1 Claim, 8 Drawing Sheets



(56)

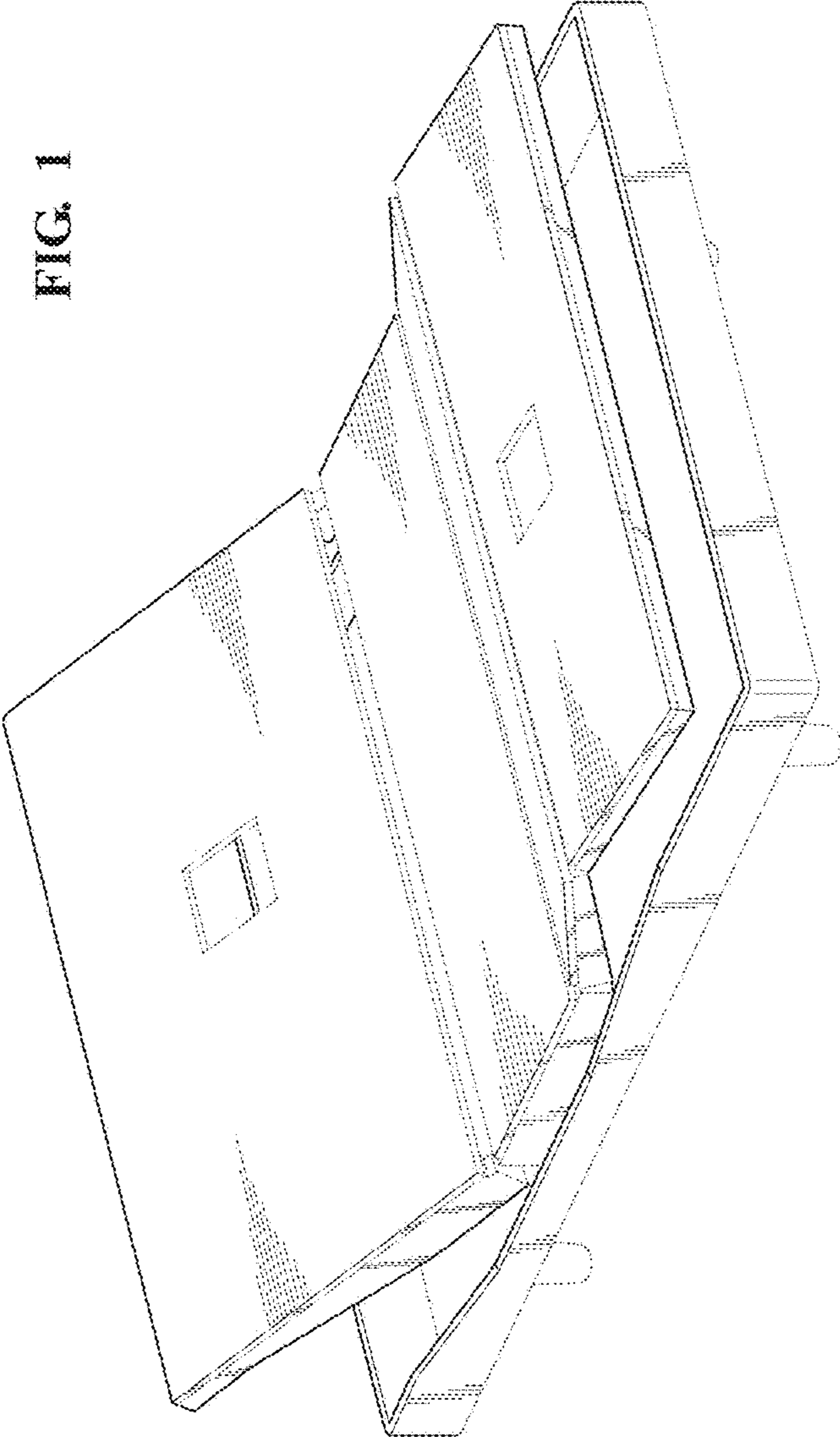
References Cited

U.S. PATENT DOCUMENTS

6,742,205 B2 * 6/2004 Dewert A47C 20/041
5/236.1
D543,407 S * 5/2007 Thom D6/604
D566,448 S * 4/2008 Ridder D24/183
D665,615 S * 8/2012 Frame, Jr. D6/606
D693,604 S * 11/2013 Asklof D6/605
D704,477 S * 5/2014 Jorgensen D6/605
D719,759 S * 12/2014 Rawls-Meehan D6/392
D720,553 S * 1/2015 Rawls-Meehan D6/392
9,173,794 B2 11/2015 Rawls-Meehan
D756,678 S * 5/2016 Rawls-Meehan D6/392
D758,090 S * 6/2016 Shih D6/392
D763,005 S * 8/2016 Rawls-Meehan D6/392
2005/0011005 A1 * 1/2005 Borda A47C 19/04
5/412
2009/0178201 A1 * 7/2009 Lujan A47C 20/027
5/618
2010/0186168 A1 * 7/2010 Harrison A47C 20/041
5/616
2014/0201915 A1 * 7/2014 Ermalovich A47C 20/08
5/613
2014/0352068 A1 * 12/2014 Xu A47C 20/041
5/616
2015/0048763 A1 * 2/2015 Hille A47C 20/041
318/16
2016/0120718 A1 * 5/2016 Shimada A61G 7/005
5/618
2016/0331612 A1 * 11/2016 Clenet A61G 7/015
2017/0007030 A1 * 1/2017 Gopalakrishnan A47C 17/86
2017/0027333 A1 * 2/2017 Shih A47C 19/021
2017/0042340 A1 * 2/2017 Chacon A61G 5/14
2017/0065092 A1 * 3/2017 Fissette A61H 23/02

* cited by examiner

FIG. 1



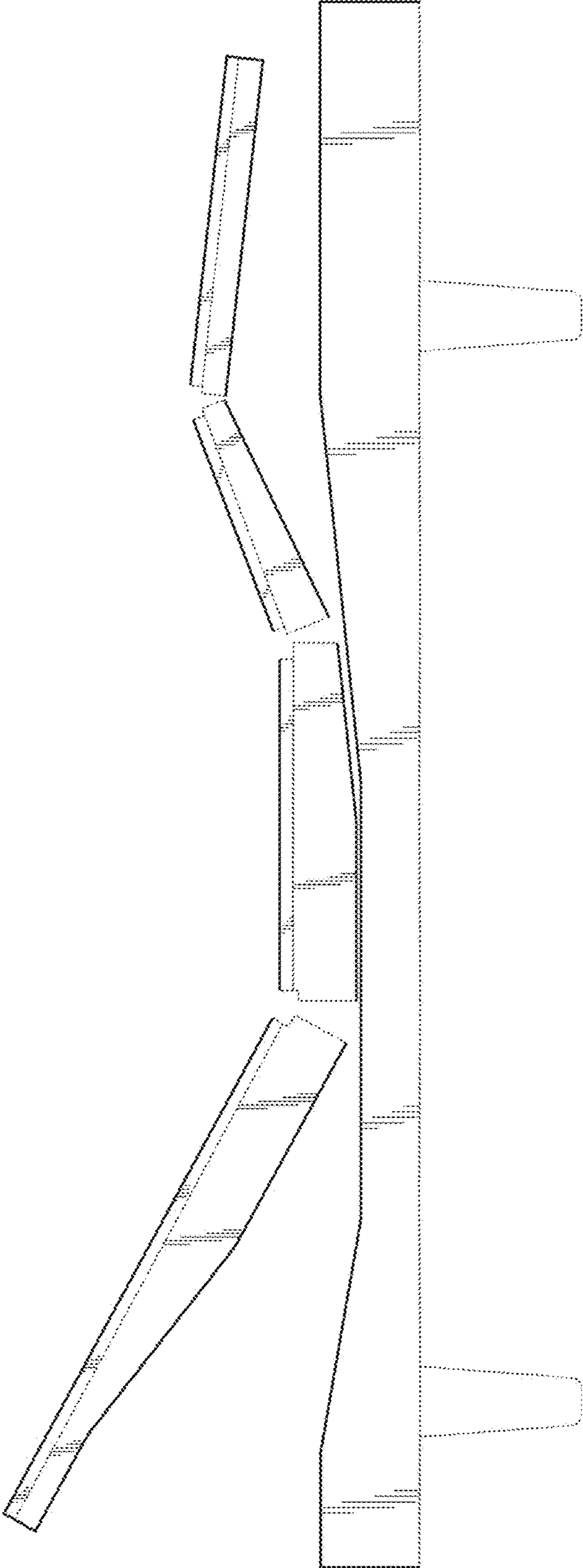
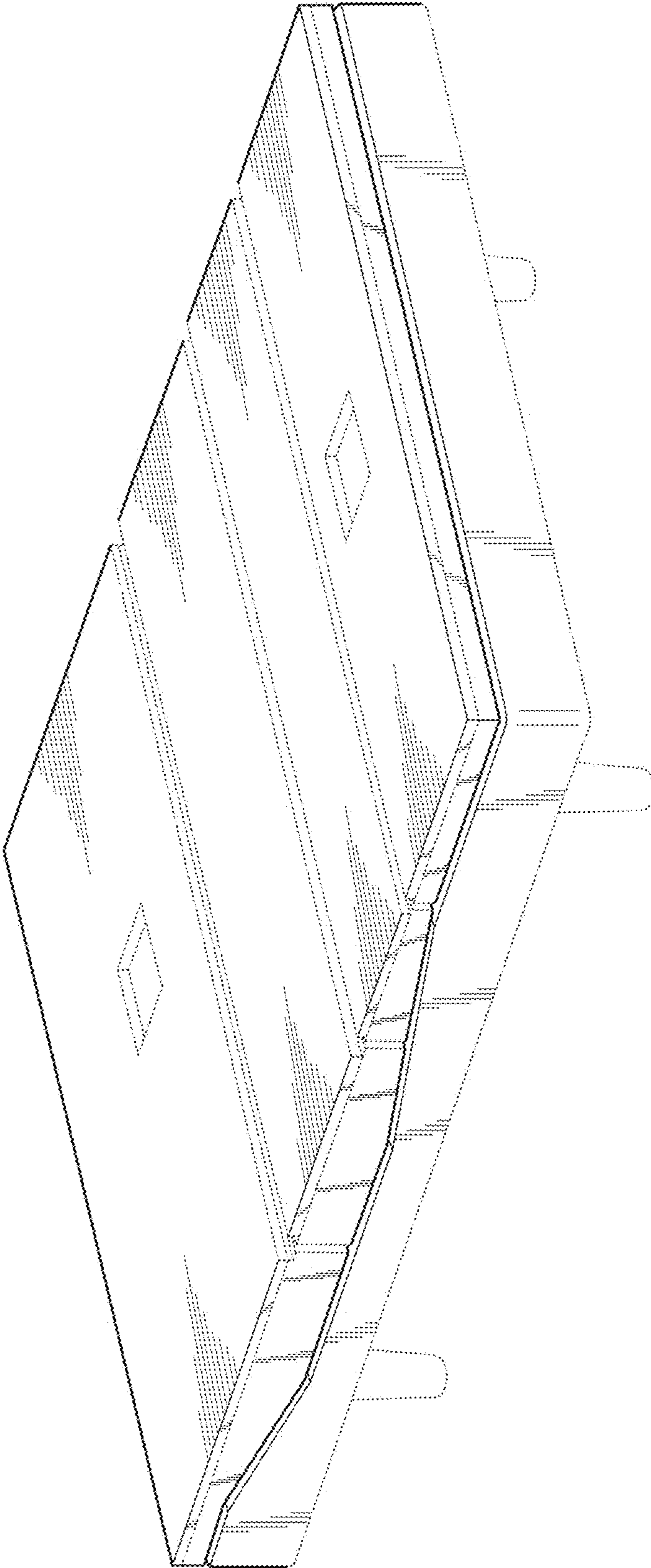


FIG. 2

FIG. 3



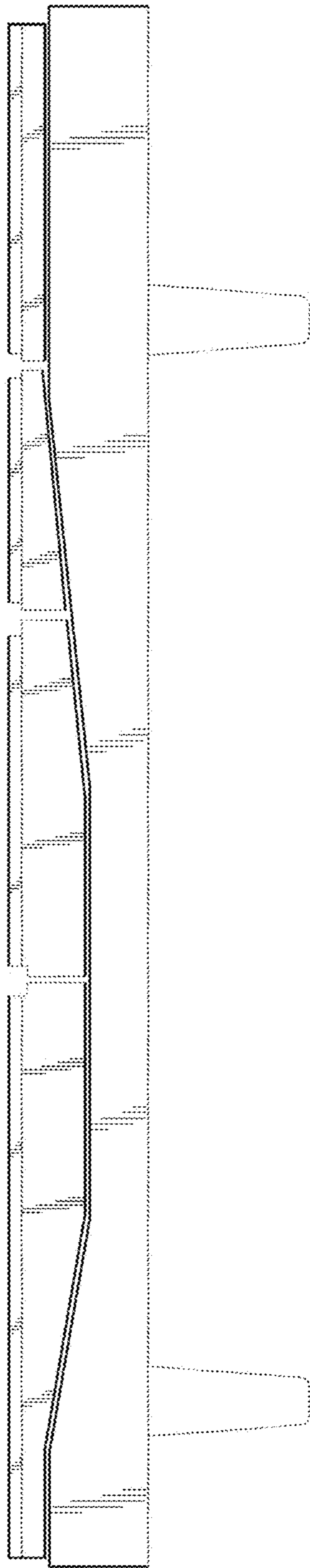
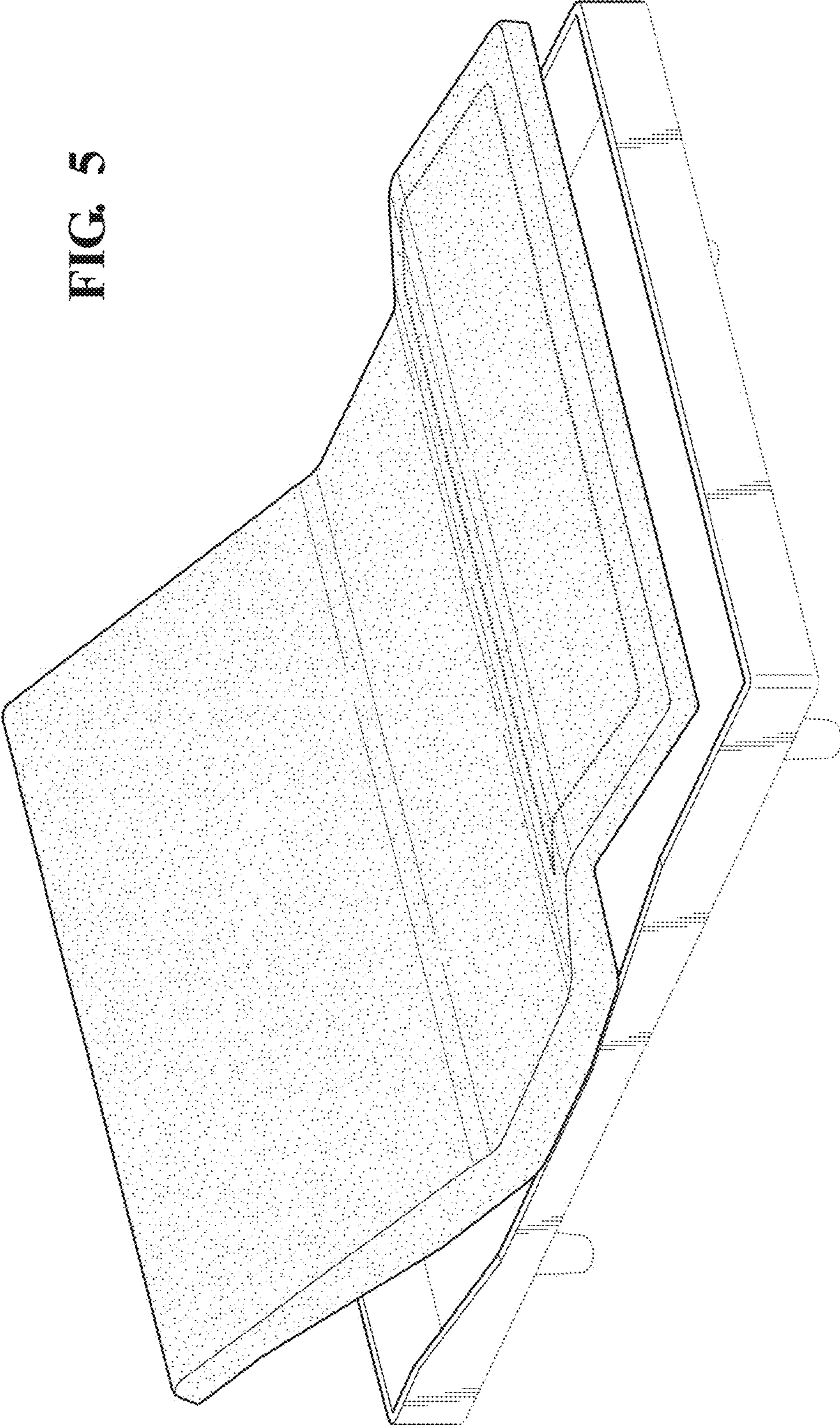


FIG. 4

FIG. 5



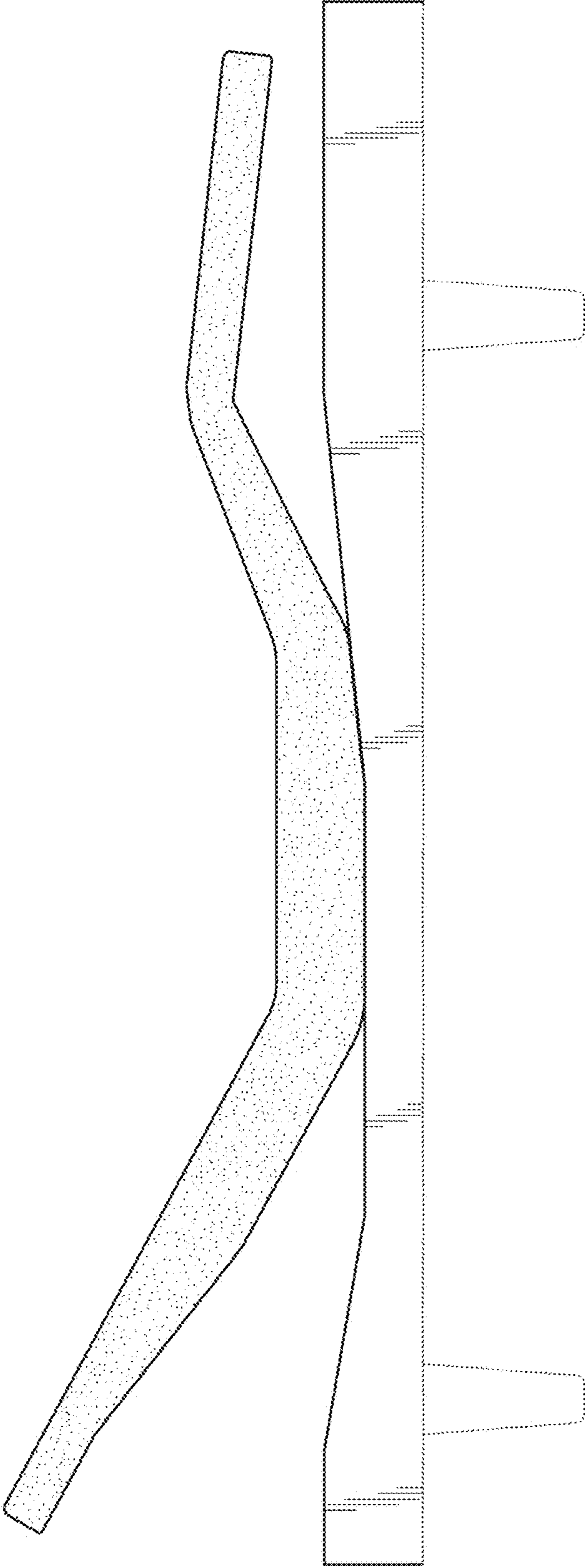
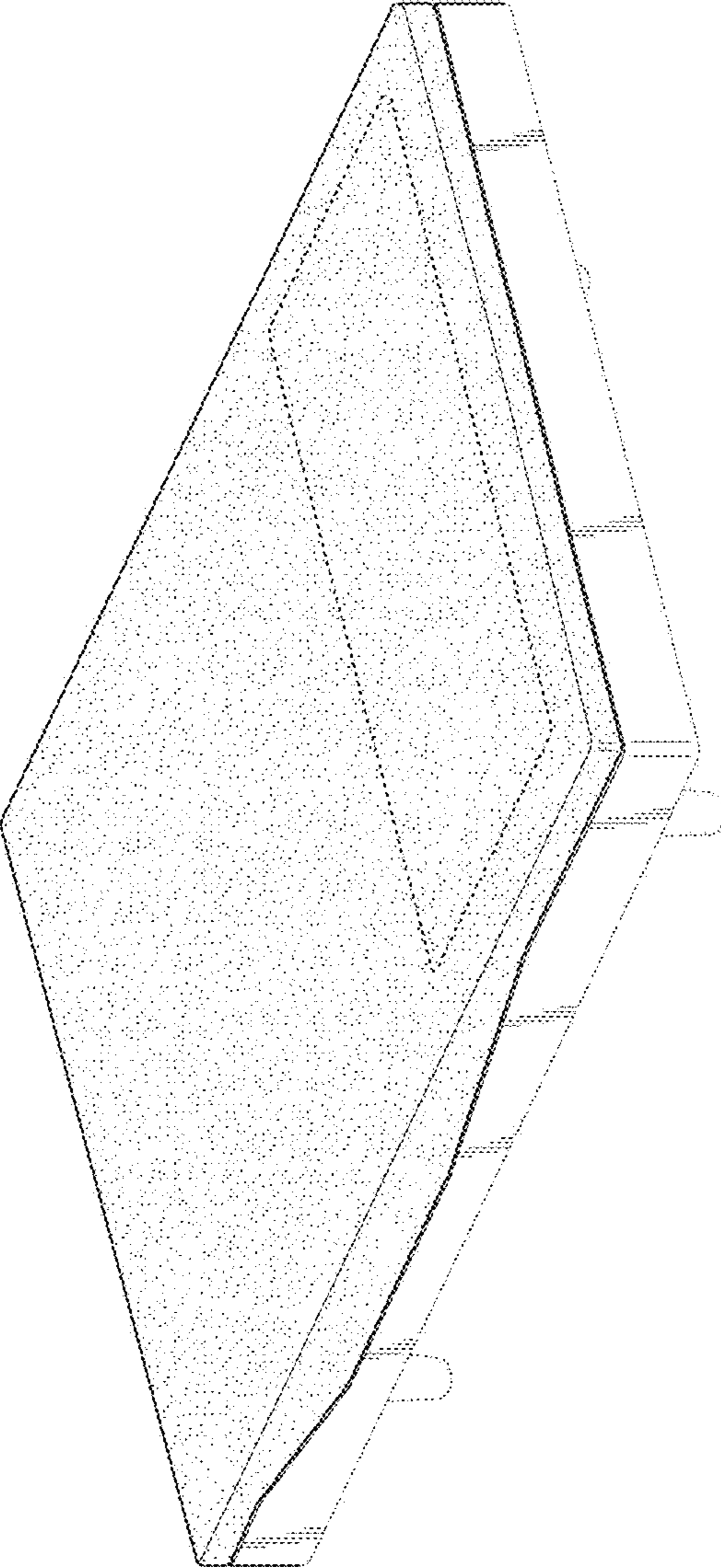


FIG. 6

FIG. 7



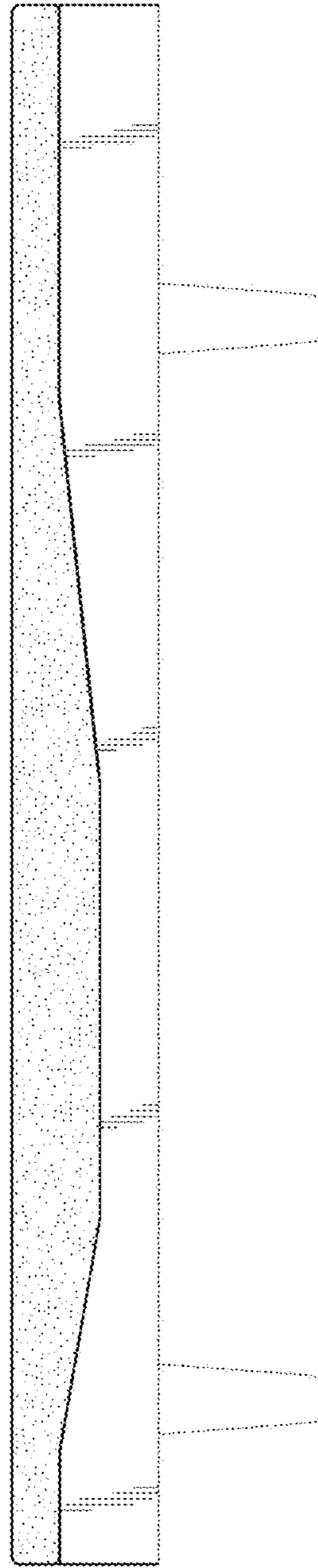


FIG. 8