



US00D811112S

(12) **United States Design Patent**  
**Rawls-Meehan et al.**

(10) **Patent No.:** **US D811,112 S**  
(45) **Date of Patent:** **\*\* Feb. 27, 2018**

(54) **ADJUSTABLE BED FOUNDATION**

(71) Applicant: **ASCION, LLC**, Bloomfield Hills, MI (US)

(72) Inventors: **Martin B. Rawls-Meehan**, Franklin, MI (US); **Kyle Allen Nagelkirk**, Waterford, MI (US)

(73) Assignee: **ASCION, LLC**, Bloomfield Hills, MI (US)

(\*\*) Term: **15 Years**

(21) Appl. No.: **29/552,540**

(22) Filed: **Jan. 22, 2016**

(51) **LOC (11) Cl.** ..... **06-02**

(52) **U.S. Cl.**

USPC ..... **D6/392**; D6/718

(58) **Field of Classification Search**

USPC ..... D6/382-384, 392, 718, 719, 596, 605, D6/610, 611, 705.4, 707.24

CPC ..... A61G 7/002; A61G 7/012; A61G 7/015; A61G 7/0573; A47C 19/021; A47C 19/005; A47C 19/04; A47C 19/02; A47C 19/025; A47C 27/15; A47C 3/36; A47C 3/38; A47C 20/04; A47C 20/041

See application file for complete search history.

(56) **References Cited**

**U.S. PATENT DOCUMENTS**

3,245,092	A *	4/1966	Kreuz	.....	A47C 17/82
					5/660
3,921,230	A *	11/1975	Hanning	.....	A47C 20/041
					5/616
4,403,357	A *	9/1983	Degen	.....	A47C 17/04
					5/618
4,674,140	A *	6/1987	Boonants	.....	A47C 20/04
					5/618
4,996,731	A *	3/1991	Kruyt	.....	A47C 20/041
					5/618
5,815,862	A *	10/1998	Rygiel	.....	A47C 27/081
					5/632

(Continued)

*Primary Examiner* — Cathron C Brooks

(74) *Attorney, Agent, or Firm* — Dinsmore & Shohl LLP

(57) **CLAIM**

The ornamental design for an adjustable bed foundation, as shown and described.

**DESCRIPTION**

FIG. 1 is a perspective view of an adjustable bed foundation in an articulated position, and shown without a removable cover on the upper deck;

FIG. 2 is a side view of the adjustable bed foundation of FIG. 1, the opposite side being a mirror image thereof;

FIG. 3 is a perspective view of the adjustable bed foundation of FIG. 1 in a flat position;

FIG. 4 is a side view of the adjustable bed foundation of FIG. 3, the opposite side being a mirror image thereof;

FIG. 5 is a perspective view of the adjustable bed foundation of FIG. 1, but shown with the removable cover on the upper deck;

FIG. 6 is a side view of the adjustable bed foundation of FIG. 5, the opposite side being a mirror image thereof;

FIG. 7 is a perspective view of the adjustable bed foundation of FIG. 5 in a flat position; and,

FIG. 8 is a side view of the adjustable bed foundation of FIG. 7, the opposite side being a mirror image thereof.

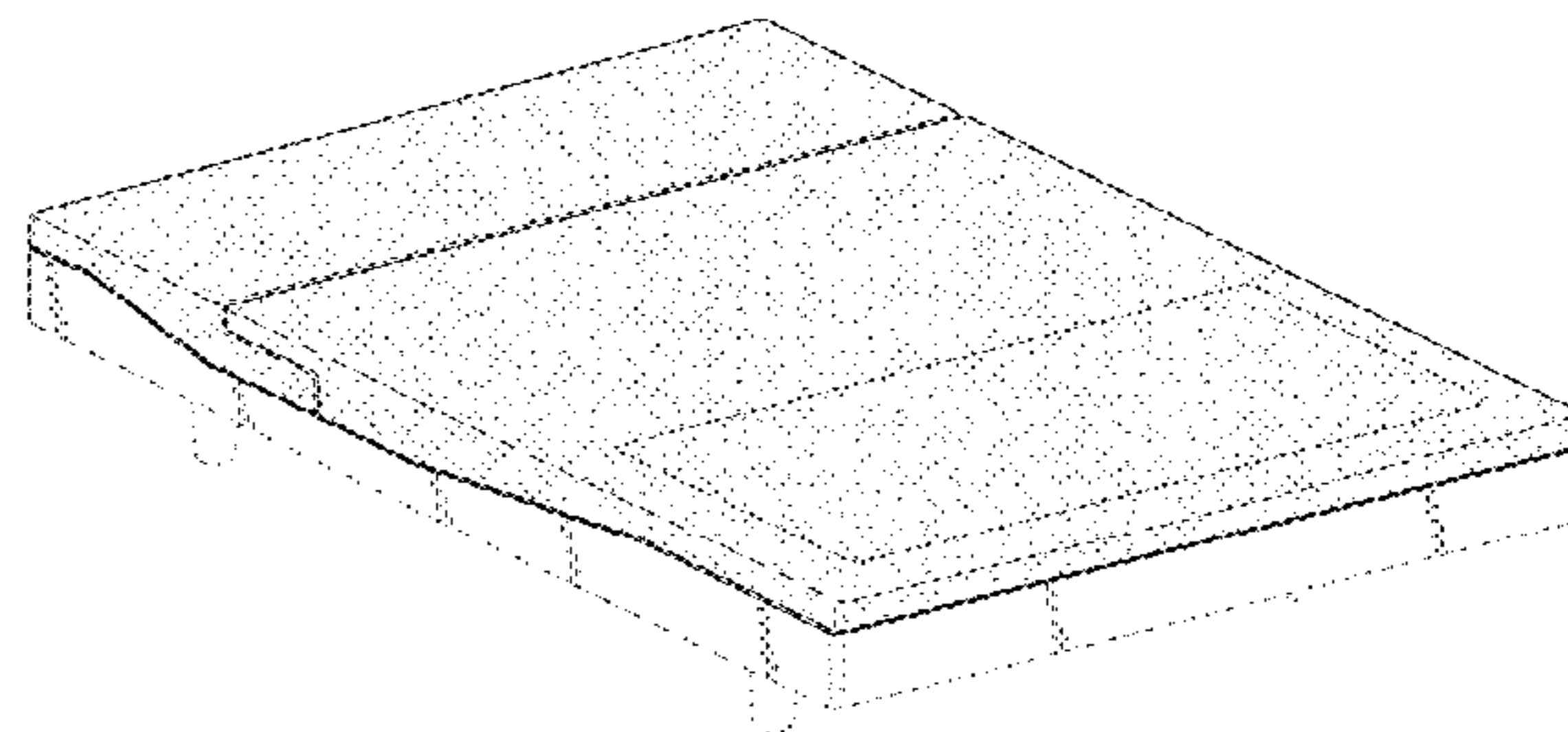
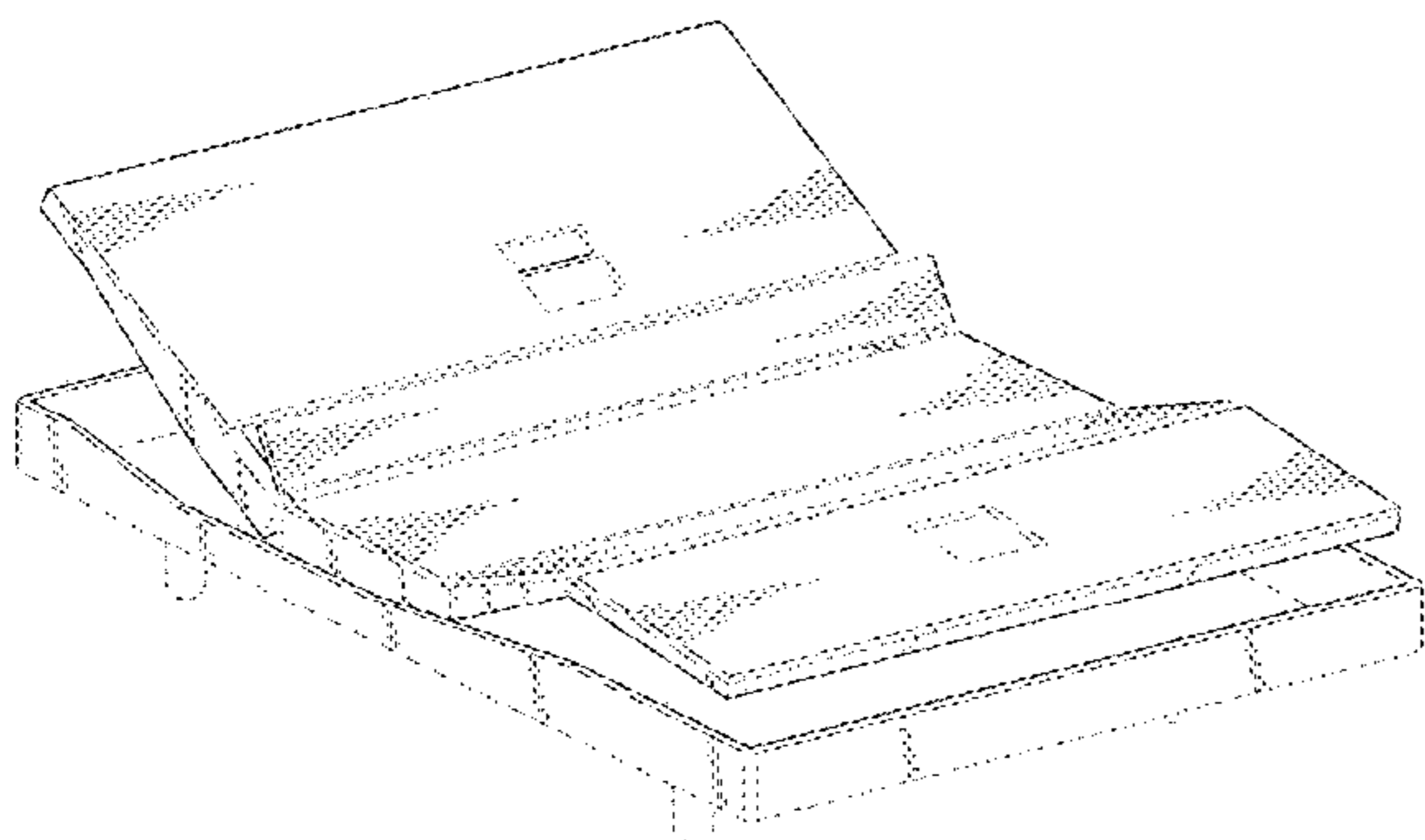
The broken lines shown in the Figures indicate portions of the adjustable bed foundation that form no part of the claimed design.

The dashed lines in FIG. 5 represent folds in the cover and do not represent surface ornamentation.

The stipple shading on the cover portion in FIGS. 6-8 represent a contrasting appearance from the straight line shading.

Surface shading lines are provided to show surface shading and do not represent surface ornamentation.

**1 Claim, 8 Drawing Sheets**



(56)

References Cited

U.S. PATENT DOCUMENTS

6,276,011	B1 *	8/2001	Antinori .....	A47C 20/041 5/613	2009/0178201	A1 *	7/2009	Lujan .....	A47C 20/027 5/618
6,357,065	B1 *	3/2002	Adams .....	A47C 19/04 5/611	2010/0083441	A1 *	4/2010	Ishida .....	A61G 7/002 5/604
6,742,205	B2 *	6/2004	Dewert .....	A47C 20/041 5/236.1	2013/0019407	A1 *	1/2013	Sheppard .....	A47C 20/041 5/611
D543,407	S *	5/2007	Thom .....	D6/604	2013/0145552	A1 *	6/2013	Bhai .....	A61G 7/015 5/624
8,091,165	B2 *	1/2012	Mossbeck .....	A47C 20/041 5/200.1	2014/0000033	A1 *	1/2014	Clenet .....	A61G 7/015 5/618
8,806,680	B2 *	8/2014	Ishida .....	A61G 7/02 5/604	2014/0201915	A1 *	7/2014	Ermalovich .....	A47C 20/08 5/613
D719,759	S *	12/2014	Rawls-Meehan .....	D6/392	2014/0352068	A1 *	12/2014	Xu .....	A47C 20/041 5/616
D720,553	S *	1/2015	Rawls-Meehan .....	D6/392	2016/0262548	A1 *	9/2016	Broom .....	A47C 20/04
9,173,794	B2	11/2015	Rawls-Meehan		2016/0331612	A1 *	11/2016	Clenet .....	A61G 7/015
9,572,736	B2 *	2/2017	Jenkins .....	A61G 7/015	2016/0361216	A1 *	12/2016	Liu .....	A47C 7/462
2005/0011005	A1 *	1/2005	Borda .....	A47C 19/04 5/412	2017/0007030	A1 *	1/2017	Gopalakrishnan .....	A47C 17/86
2008/0235868	A1 *	10/2008	Snitzer .....	A47C 19/005 5/201	2017/0027333	A1 *	2/2017	Shih .....	A47C 19/021

\* cited by examiner

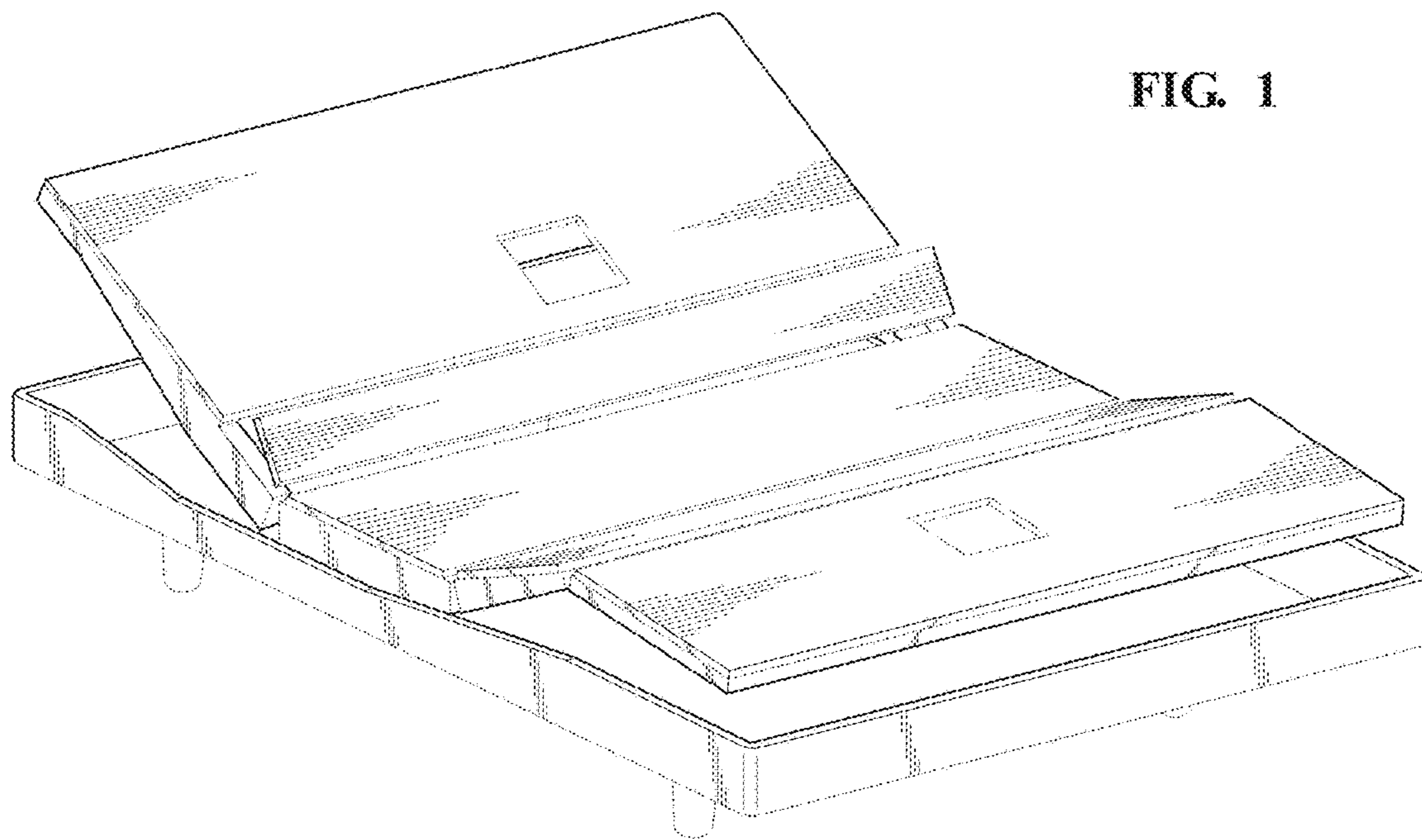


FIG. 1

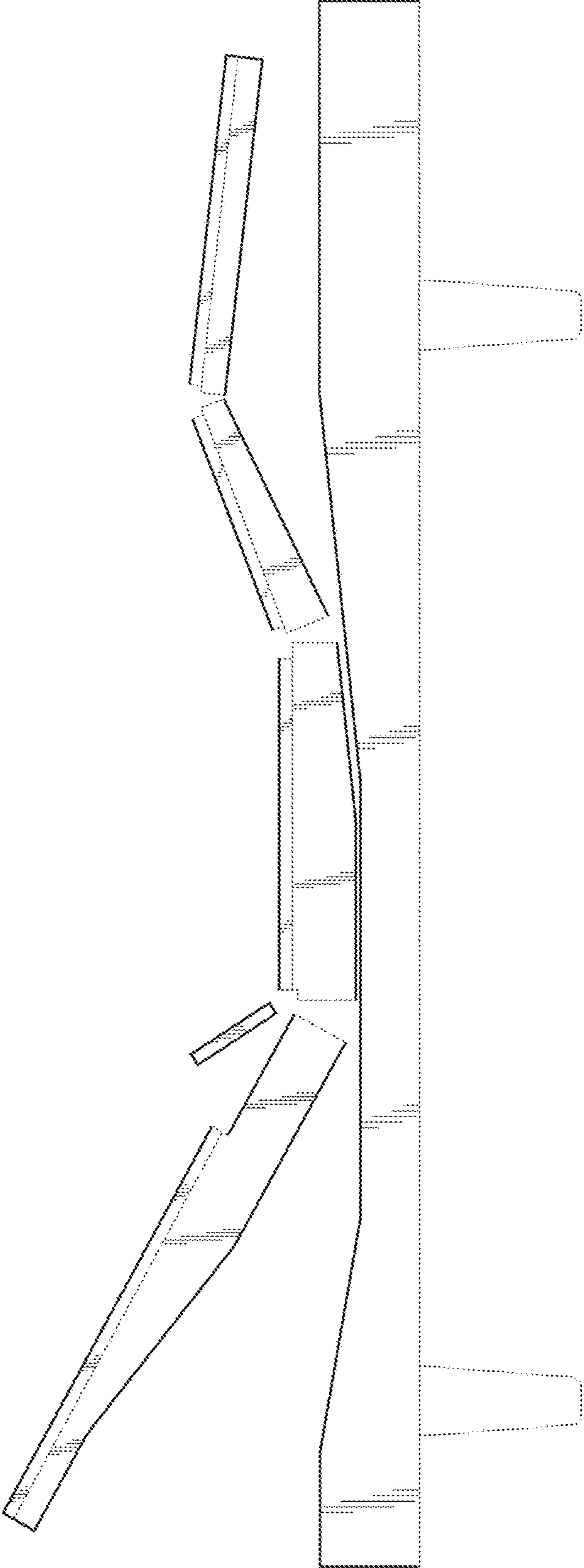
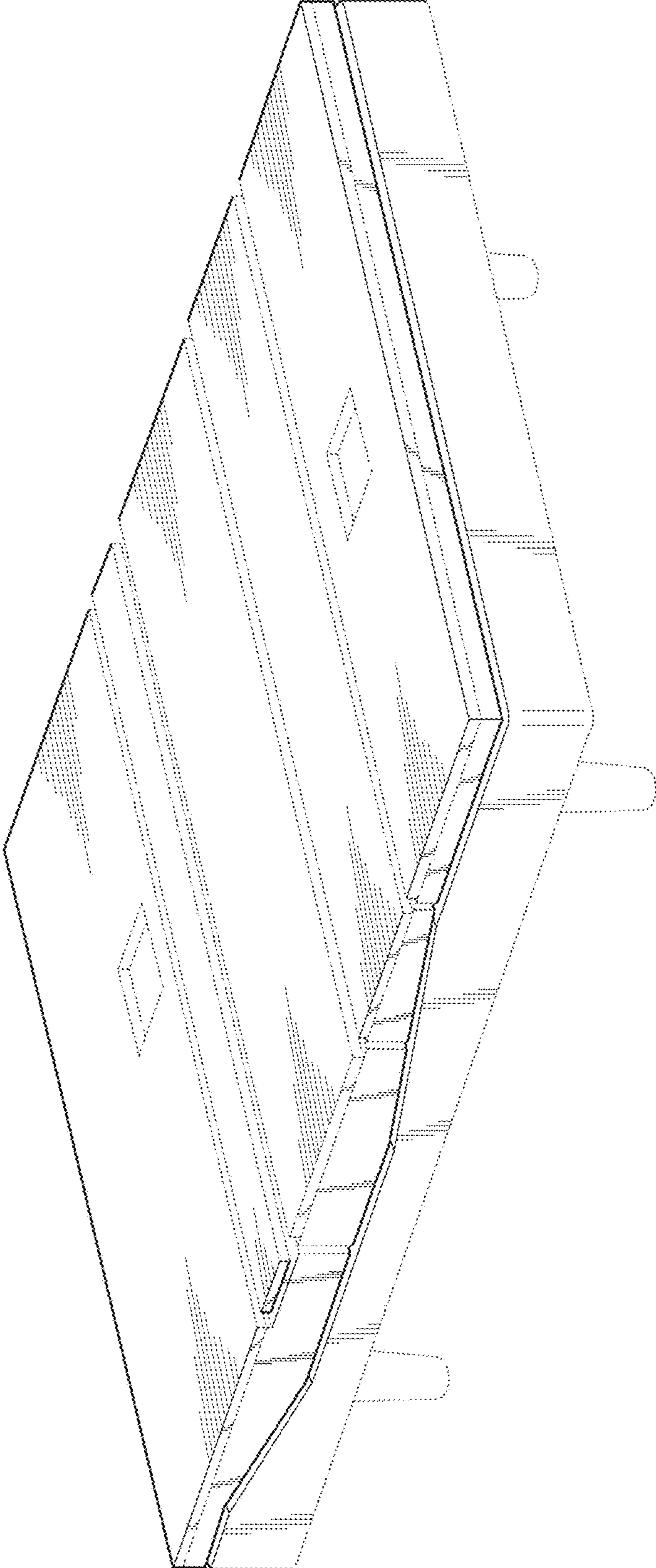


FIG. 2

FIG. 3



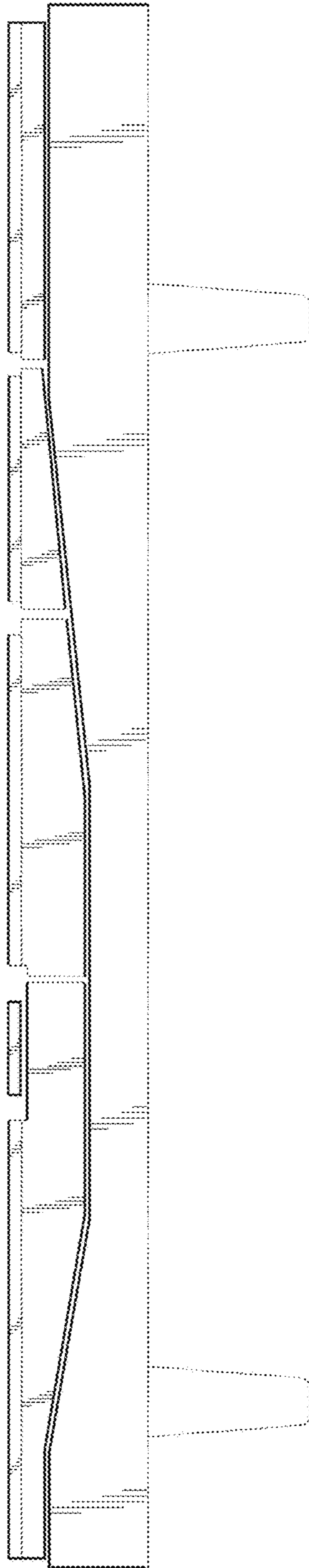
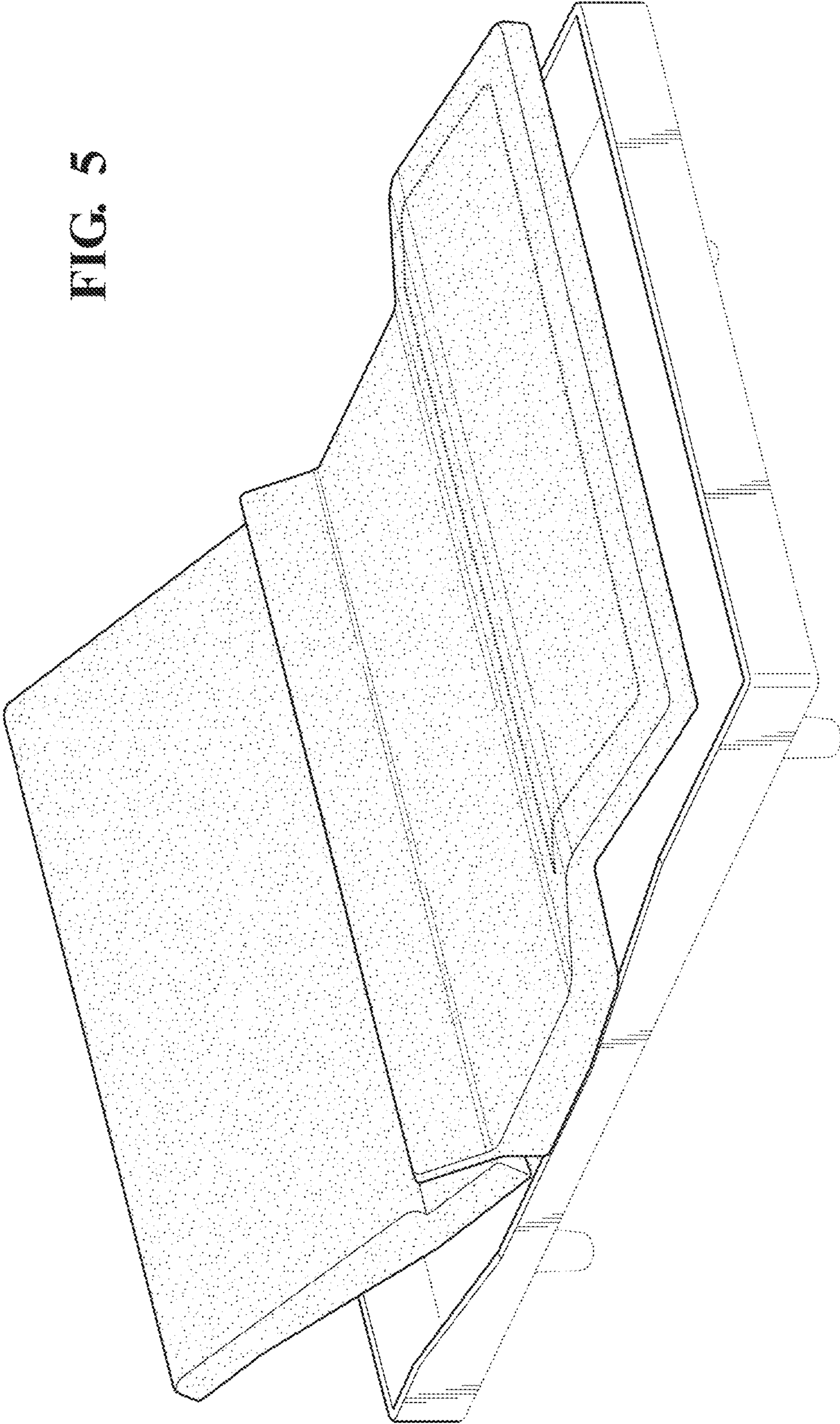


FIG. 4

FIG. 5



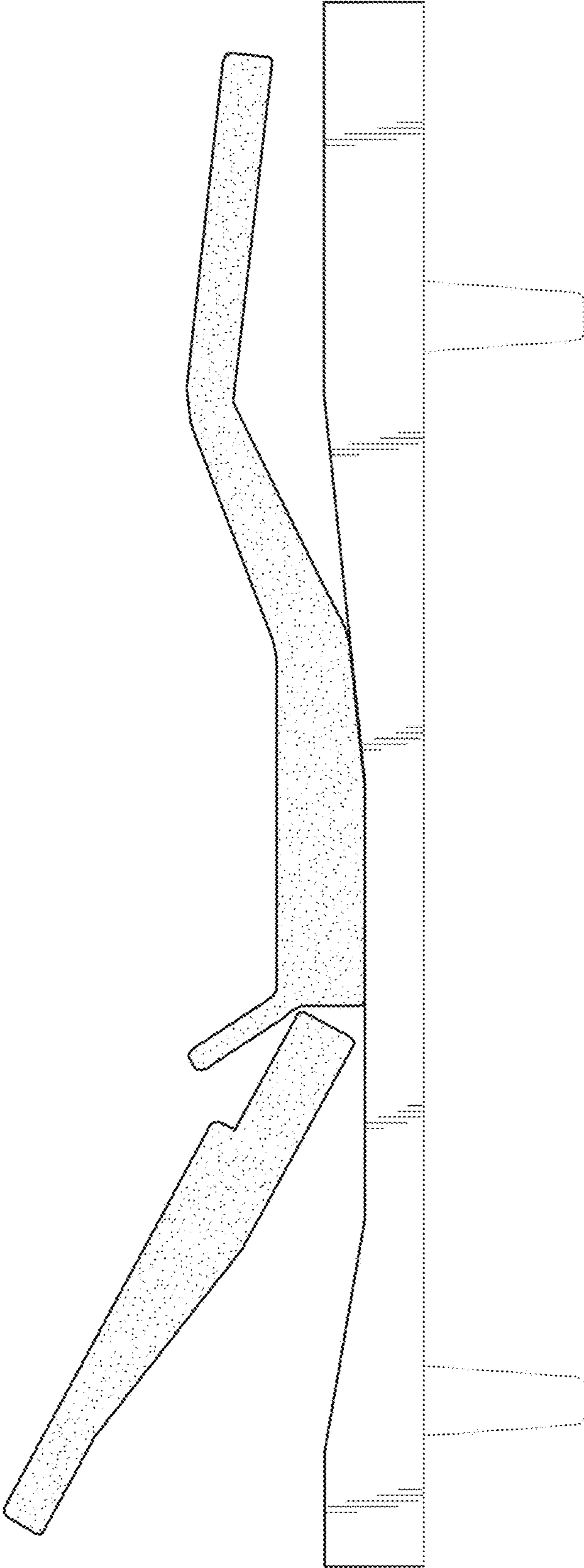
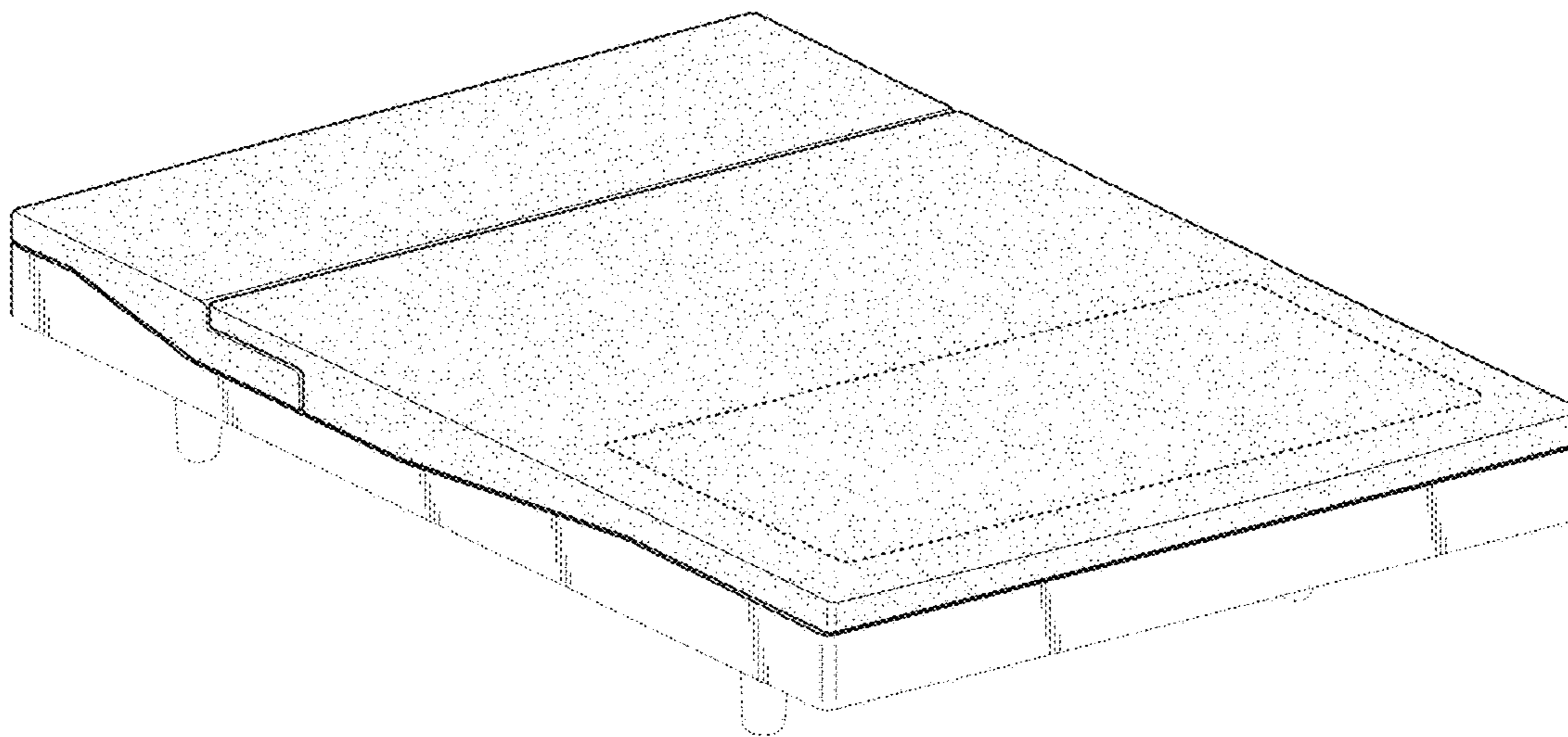


FIG. 6



FIG. 7



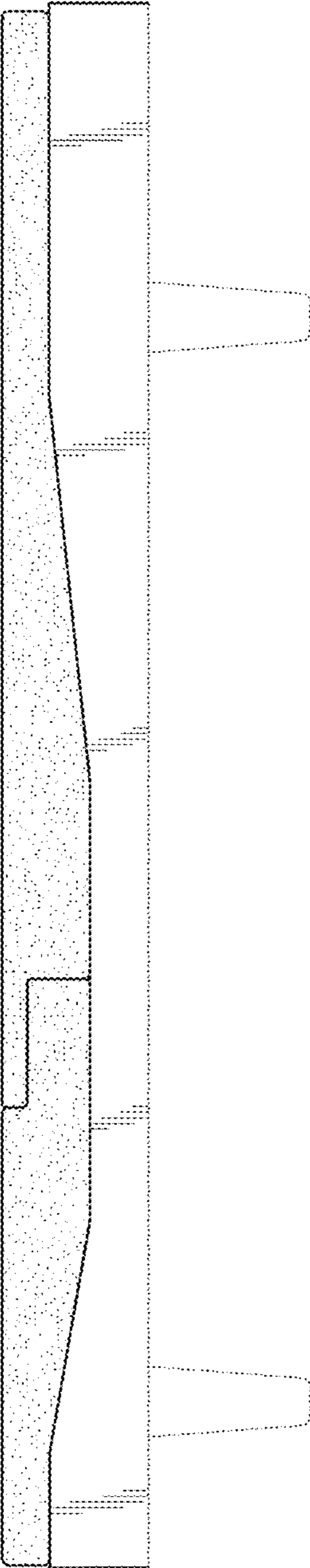


FIG. 8