



US00D81111S

(12) **United States Design Patent**  
**Garrison**

(10) **Patent No.:** **US D811,111 S**

(45) **Date of Patent:** **\*\* \*Feb. 27, 2018**

- (54) **SOFA**
- (71) Applicant: **RH US, LLC**, Corte Madera, CA (US)
- (72) Inventor: **Katharine Garrison**, San Francisco, CA (US)
- (73) Assignee: **RH US, LLC**, Corte Madera, CA (US)
- (\*) Notice: This patent is subject to a terminal disclaimer.
- (\*\*) Term: **15 Years**
- (21) Appl. No.: **29/579,666**
- (22) Filed: **Sep. 30, 2016**
- (51) **LOC (11) Cl.** ..... **06-01**
- (52) **U.S. Cl.**  
USPC ..... **D6/381**
- (58) **Field of Classification Search**  
CPC .... A47C 7/00; A47C 7/62; A47C 7/18; A47C 7/54; A47C 4/00; A47C 4/028; A47C 4/28; A47C 3/16; A47C 3/04; A47C 3/12; A47C 1/02; A47C 1/14  
See application file for complete search history.

(56) **References Cited**

**U.S. PATENT DOCUMENTS**

D358,038 S *	5/1995	Lewis	.....	D6/334
D358,060 S *	5/1995	Lowman	.....	D6/334
D360,997 S *	8/1995	Hutton	.....	D6/381
D399,661 S *	10/1998	Smith	.....	D6/334
D403,167 S *	12/1998	Hutton	.....	D6/334
D421,853 S *	3/2000	Black	.....	D6/334

D422,422 S *	4/2000	Black	.....	D6/334
D425,711 S *	5/2000	Desombre	.....	D6/334
D444,641 S *	7/2001	Lipparini	.....	D6/334
D537,263 S *	2/2007	Berry	.....	D6/381
D544,247 S *	6/2007	Natuzzi	.....	D6/381
D570,129 S *	6/2008	Natuzzi	.....	D6/381
D575,961 S *	9/2008	Kreiss	.....	D6/381
D597,760 S *	8/2009	Natuzzi	.....	D6/381
D601,825 S *	10/2009	Starck	.....	D6/381
D628,403 S *	12/2010	Starck	.....	D6/381
D658,395 S *	5/2012	Foersom	.....	D6/334
D679,114 S *	4/2013	Foersom	.....	D6/381
D688,485 S *	8/2013	Lenney	.....	D6/381
D688,486 S *	8/2013	Early	.....	D6/381
D691,825 S *	10/2013	Lenney	.....	D6/381
D718,551 S *	12/2014	Banda	.....	D6/381
D730,076 S *	5/2015	Lange	.....	D6/381
D785,359 S *	5/2017	Massaud	.....	D6/381

\* cited by examiner

*Primary Examiner* — Deanna L Pratt

(74) *Attorney, Agent, or Firm* — Lewis Roca Rothgerber Christie LLP

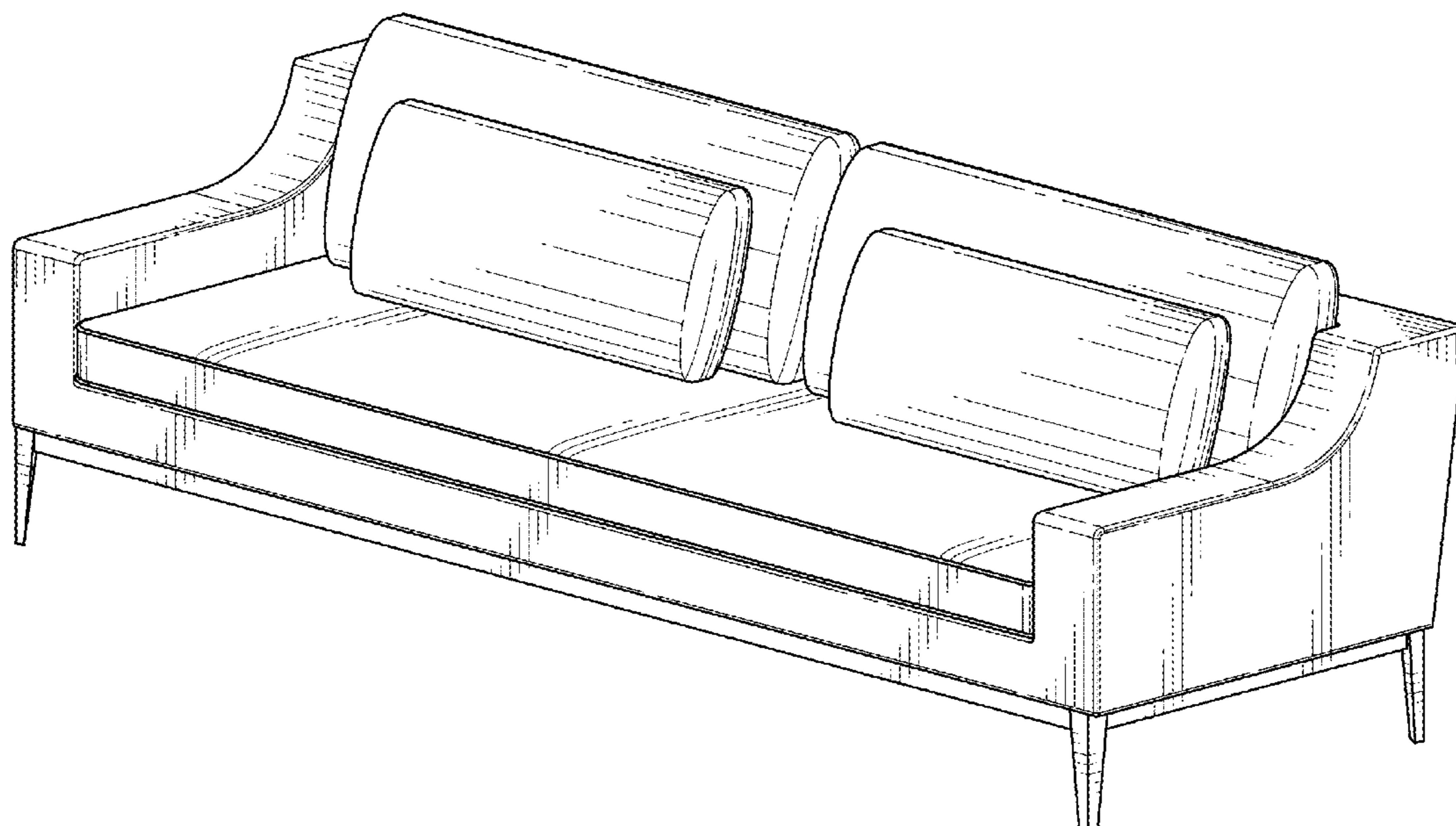
(57) **CLAIM**

The ornamental design for a sofa, as shown and described.

**DESCRIPTION**

FIG. 1 is a front and right side perspective view of an exemplary sofa showing my new design;  
 FIG. 2 is a front elevation view thereof;  
 FIG. 3 is a rear elevation view thereof;  
 FIG. 4 is a right side elevation view thereof, the left side being a mirror image; and,  
 FIG. 5 is a top plan view thereof.

**1 Claim, 3 Drawing Sheets**



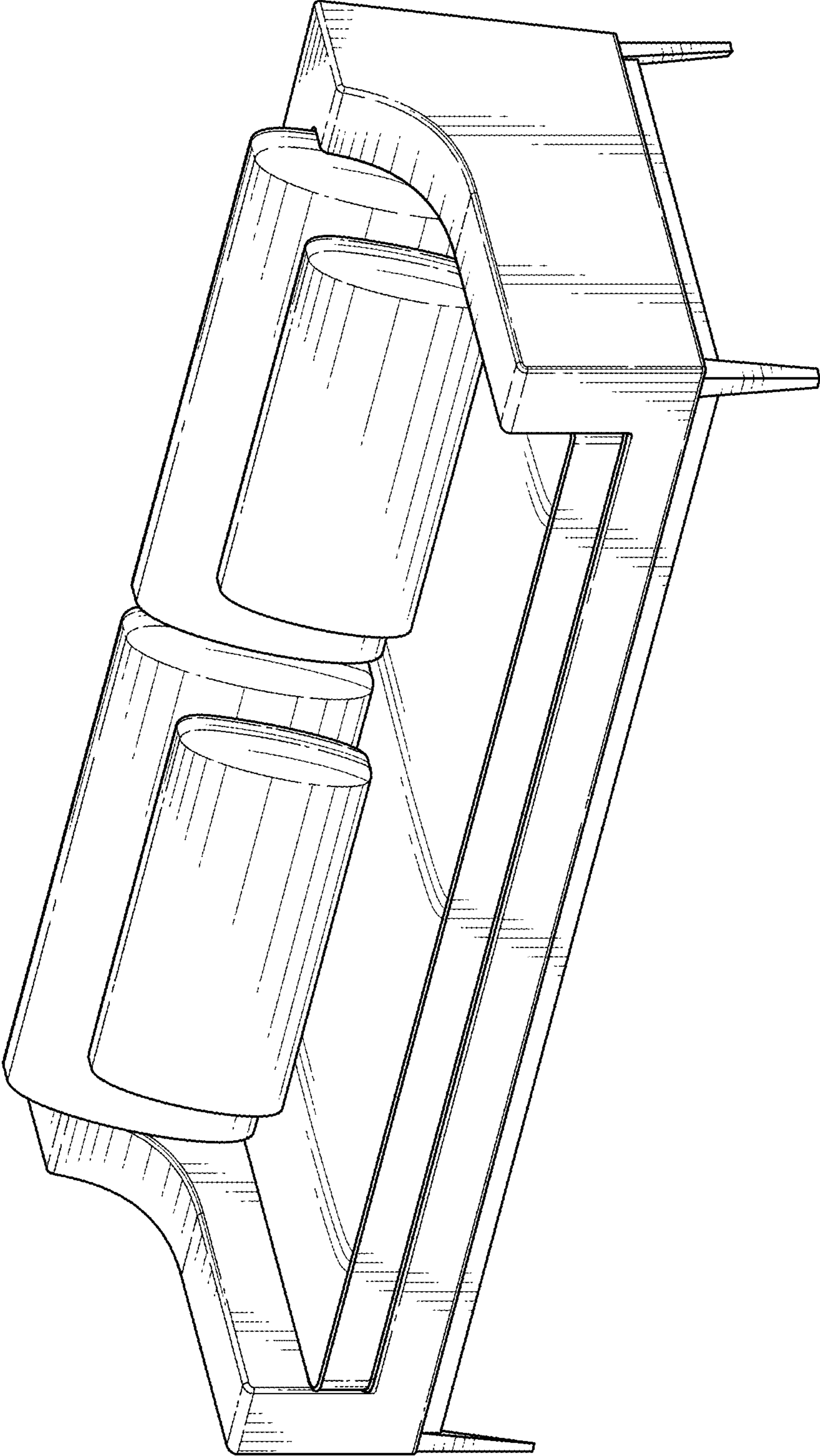


FIG. 1

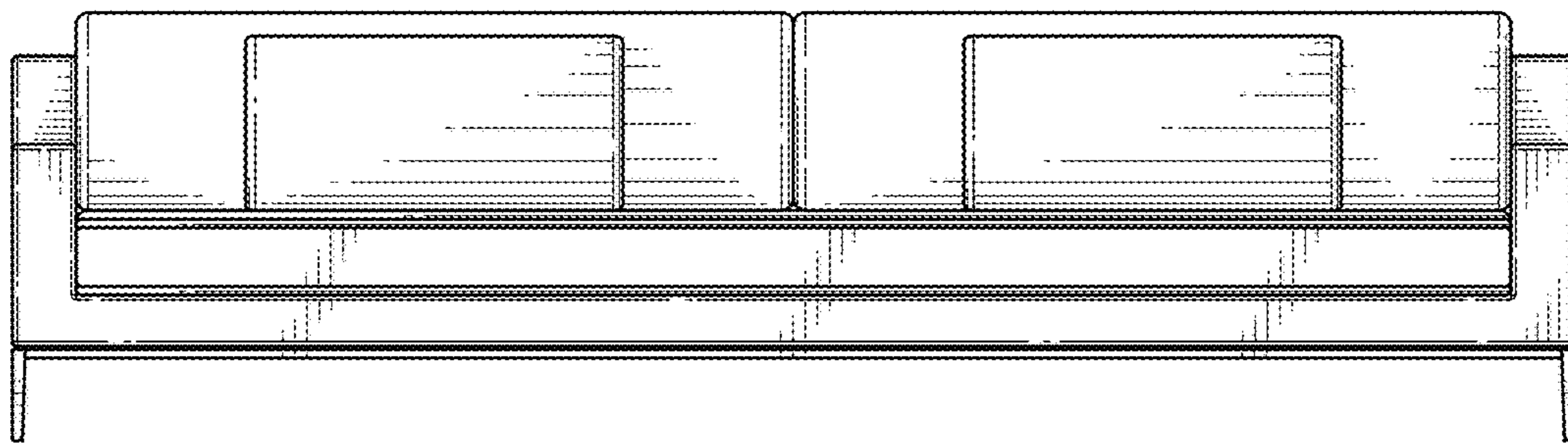


FIG. 2

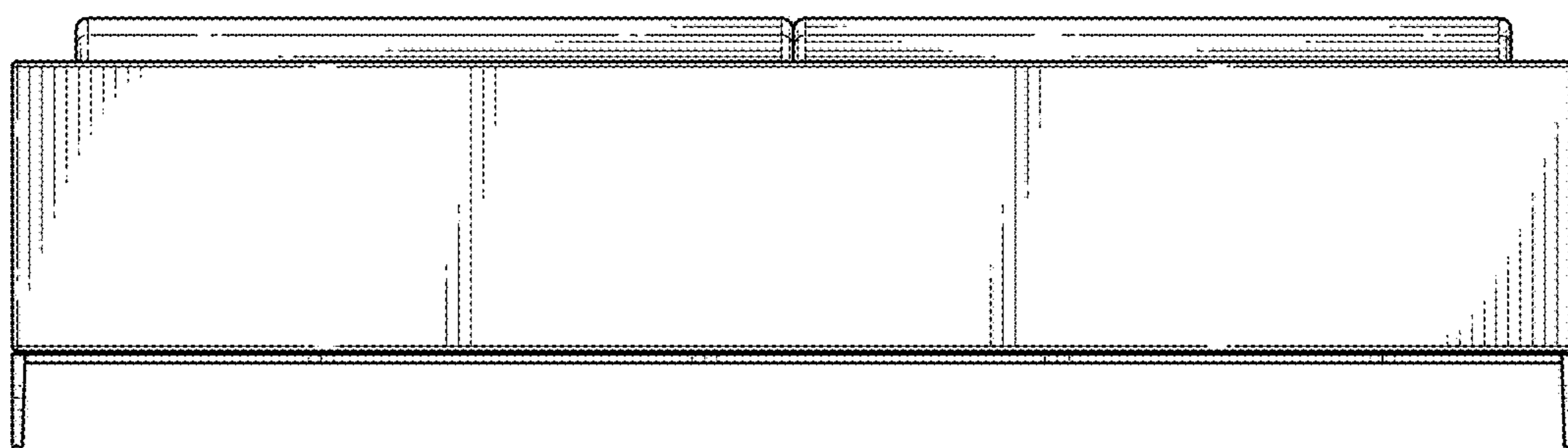


FIG. 3

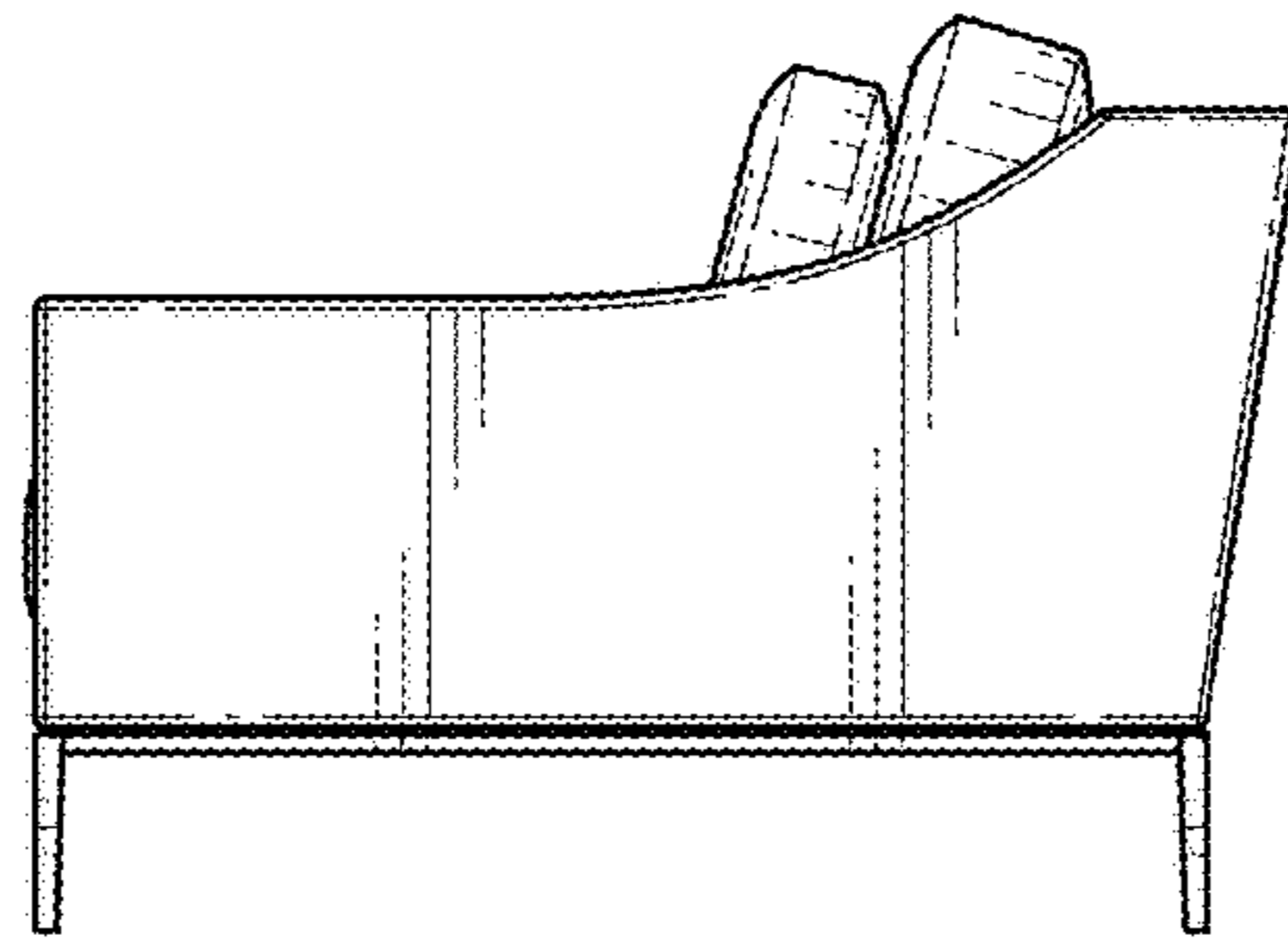


FIG. 4

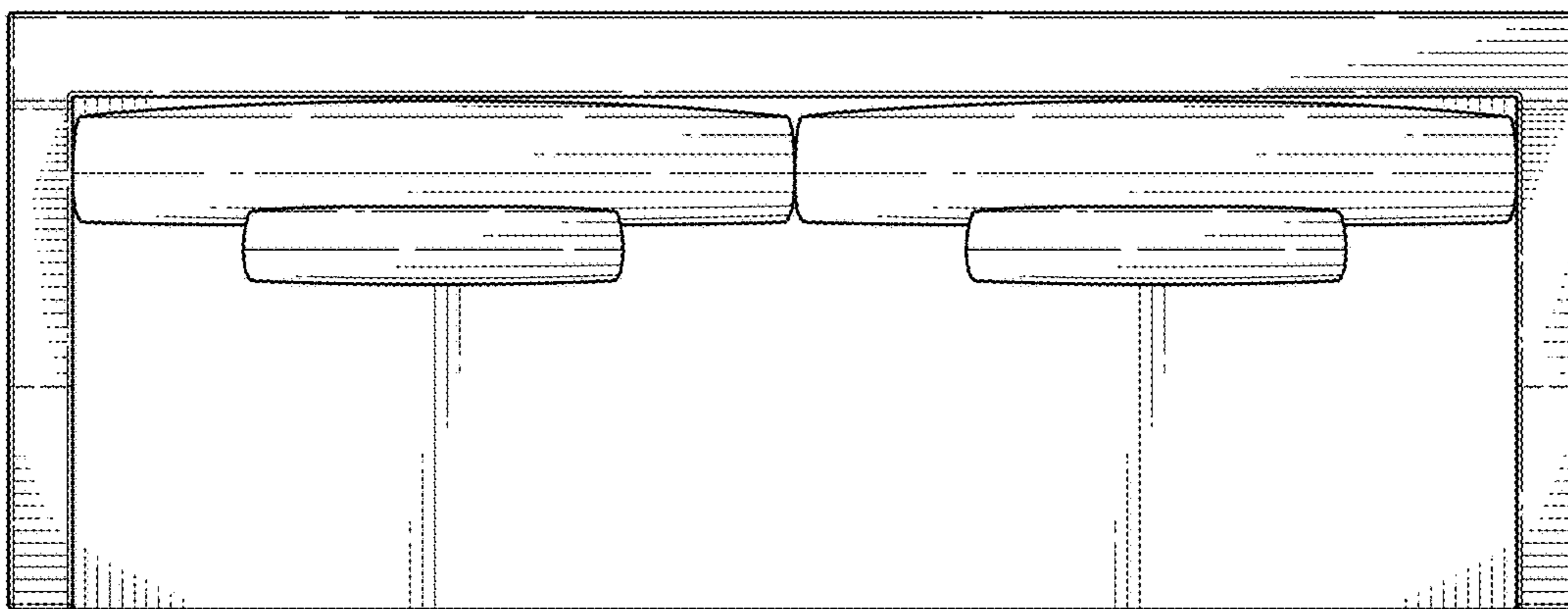


FIG. 5