



US00D811108S

(12) **United States Design Patent** (10) **Patent No.:** **US D811,108 S**
Hiyoshi et al. (45) **Date of Patent:** **** Feb. 27, 2018**

(54) **CLUB CHAIR**
(71) Applicant: **Steelcase Inc.**, Grand Rapids, MI (US)
(72) Inventors: **Yuka Hiyoshi**, Grand Rapids, MI (US); **Bruce Smith**, East Grand Rapids, MI (US); **William Bennie**, Rockford, MI (US); **Irfan Kachwalla**, Mid Levels West (HK); **James Ludwig**, Grand Rapids, MI (US); **Jessica Nebel**, Munich (DE); **Santiago Carral O’Gorman**, Grand Rapids, MI (US); **Madison Scheper**, Grand Rapids, MI (US)

D231,880 S * 6/1974 Weinstock D6/364
D234,331 S * 2/1975 Rocchia D6/369
D234,988 S * 4/1975 Lopez-Benitez D6/334
D239,228 S * 3/1976 Introini D6/364
D252,484 S 7/1979 Petersilie
D266,639 S * 10/1982 Thorpe D6/369
D284,046 S 6/1986 Staats et al.
D289,950 S 5/1987 Offredi
D293,637 S 1/1988 Tallon
D321,435 S * 11/1991 Scalisi D6/375
D352,186 S 11/1994 Torck et al.
D368,174 S 3/1996 Lewis
D376,274 S 12/1996 Lewis
D382,129 S 8/1997 Lewis
D387,573 S 12/1997 Lewis
D392,470 S * 3/1998 Smith D6/334
D431,381 S 10/2000 Gomez

(73) Assignee: **Steelcase Inc.**, Grand Rapids, MI (US)

(**) Term: **15 Years**

(21) Appl. No.: **29/582,796**

(22) Filed: **Oct. 31, 2016**

(51) **LOC (11) Cl.** **06-01**

(52) **U.S. Cl.**
USPC **D6/375**

(58) **Field of Classification Search**
USPC D6/334-336, 361, 364, 369, 371, 372,
D6/373, 374, 375, 381, 716, 716.1, 716.4
CPC A47C 3/16; A47C 7/18; A47C 7/50; A47C
7/24; A47C 11/00; A47C 15/002
See application file for complete search history.

(56) **References Cited**

U.S. PATENT DOCUMENTS

61,610 A 1/1867 Cutter
936,451 A 10/1909 Havenhill
D99,959 S 6/1936 Nathan
D158,877 S * 6/1950 Manbert D6/364
3,498,654 A 3/1970 Diaz et al.
3,756,657 A * 9/1973 Johnson A47C 11/00
297/440.1
D230,918 S * 3/1974 Andrus D6/364

(Continued)

Primary Examiner — Mimoso De

(74) *Attorney, Agent, or Firm* — Brinks Gilson & Lione

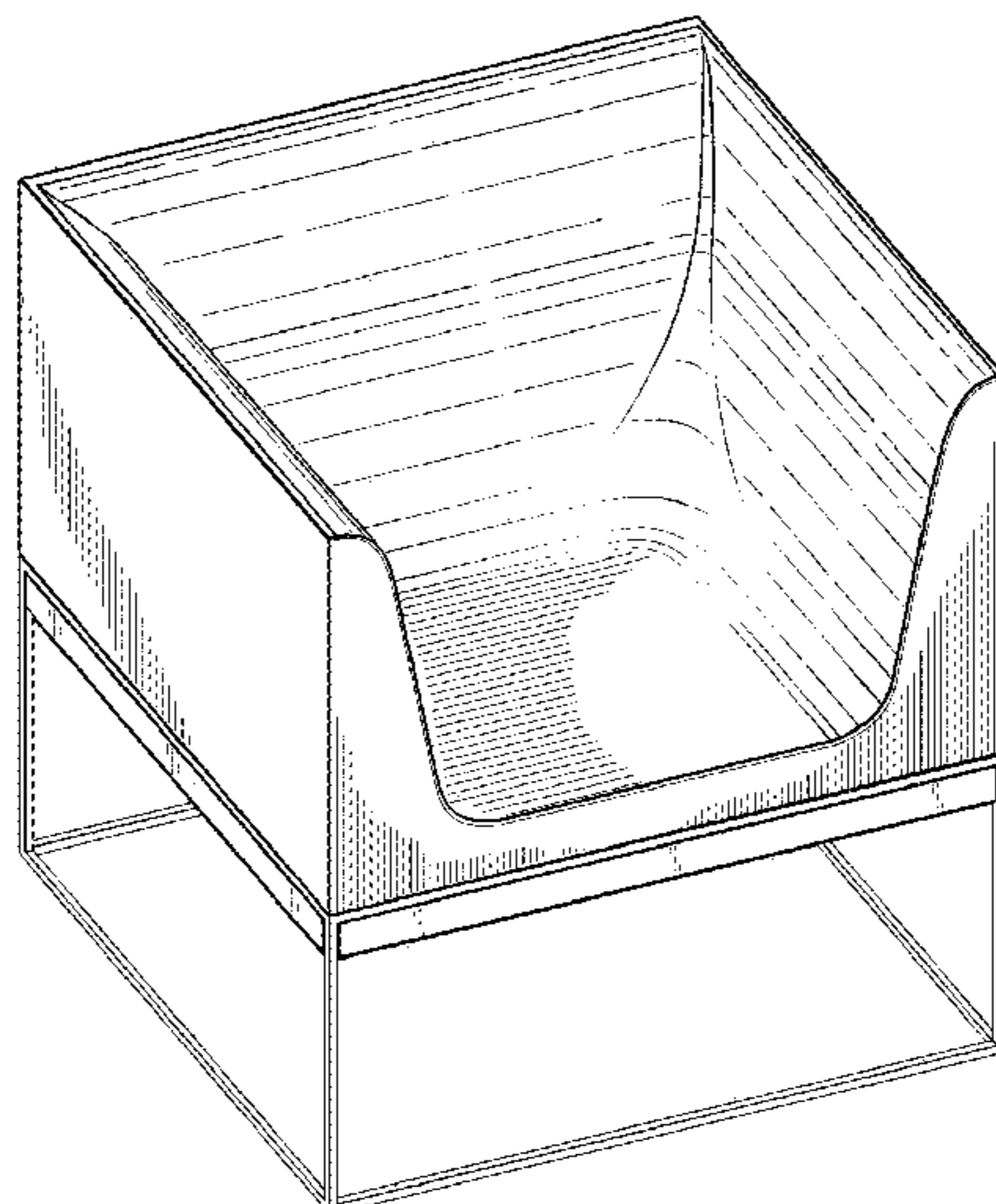
(57) **CLAIM**

We claim the ornamental design for a club chair, as shown and described.

DESCRIPTION

FIG. 1 is a top front perspective view of a club chair of the present design;
FIG. 2 is a bottom front perspective view thereof;
FIG. 3 is a front elevation view thereof;
FIG. 4 is a rear elevation view thereof;
FIG. 5 is a top plan view thereof;
FIG. 6 is a bottom plan view thereof; and,
FIG. 7 is a side elevation view thereof, where the left and right side elevation views are mirror images of each other. The broken line structures in the drawings form no part of the claimed design. Interior surfaces and other portions of the club chair not shown in the illustrated drawings form no part of the claimed design.

1 Claim, 5 Drawing Sheets



(56)

References Cited

U.S. PATENT DOCUMENTS

D439,071 S	3/2001	D'Urso et al.	
D448,946 S	10/2001	Goetz	
D484,712 S	1/2004	Gomez	
D484,713 S	1/2004	Gomez	
D515,837 S	2/2006	Nicoletti	
D519,743 S	5/2006	Suzuki et al.	
D567,527 S	4/2008	Galardo	
D576,820 S	9/2008	Priestman	
D577,924 S	10/2008	Van Lerssel et al.	
D577,926 S	10/2008	Marin et al.	
D586,140 S *	2/2009	Massaud	D6/369
D588,825 S *	3/2009	Van Lerssel	D6/369
D589,714 S	4/2009	Cazares et al.	
D602,705 S	10/2009	Holbrook	
D643,643 S	8/2011	Lievore	
D660,610 S *	5/2012	Nguyen	D6/369
D681,361 S	5/2013	Silver et al.	
D682,575 S	5/2013	Versace	
D695,035 S	12/2013	Ciani et al.	
D698,172 S	1/2014	Ciani et al.	
D712,173 S	9/2014	Ciani et al.	
D712,674 S	9/2014	Ciani et al.	
D743,726 S	11/2015	Yeh	
D751,311 S *	3/2016	Schroeder	D6/364

* cited by examiner

Fig. 1

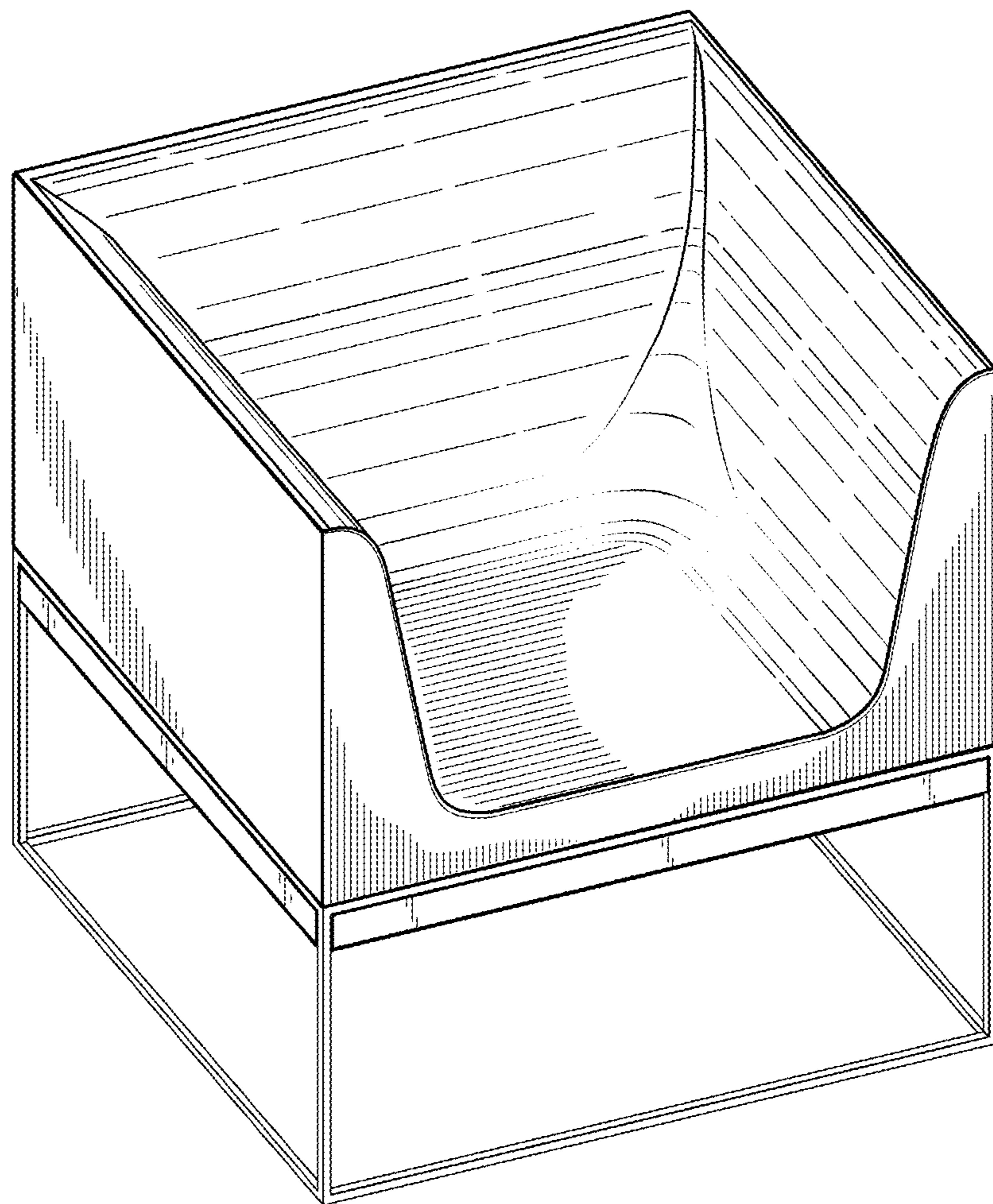


Fig. 2

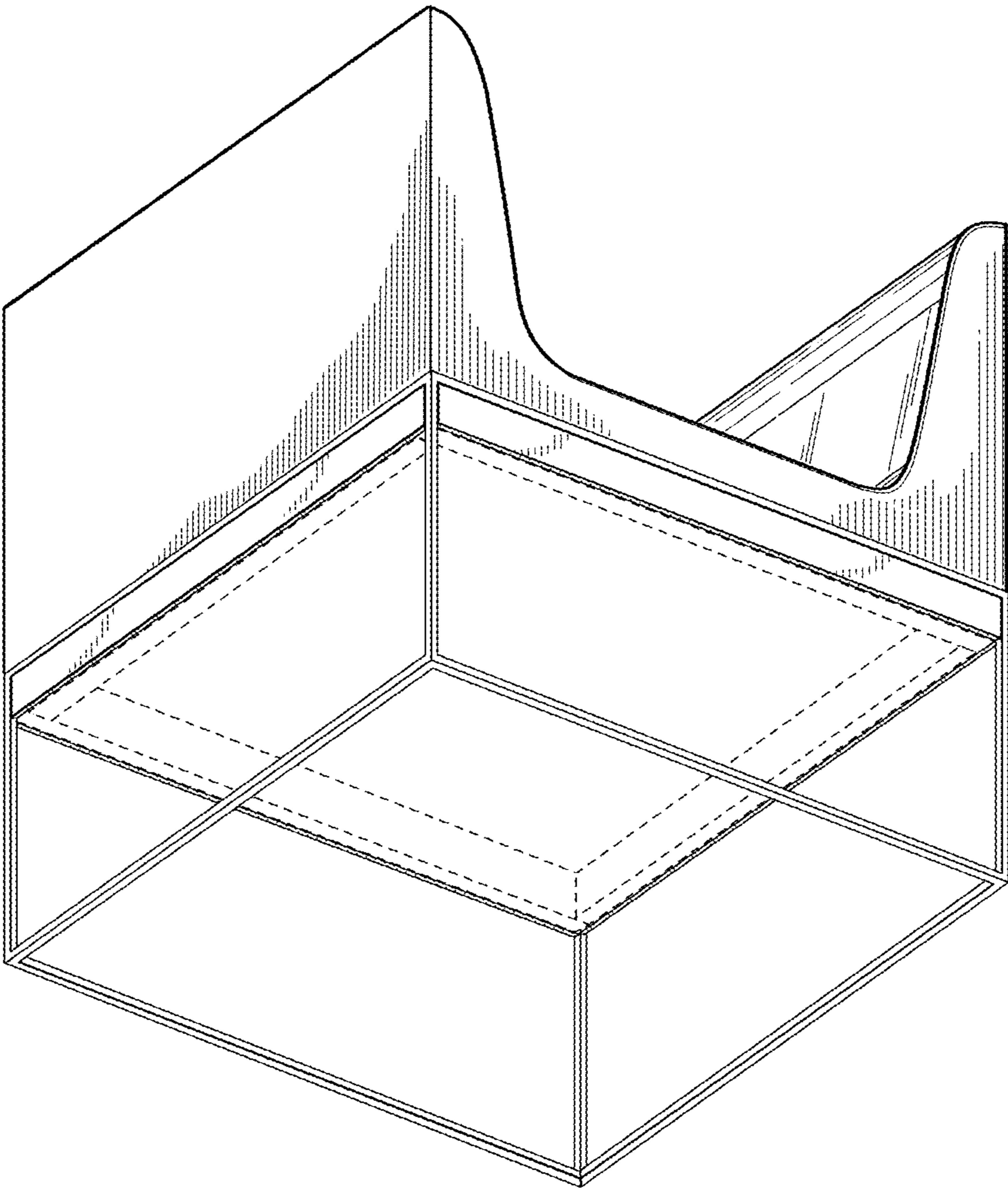


Fig. 3

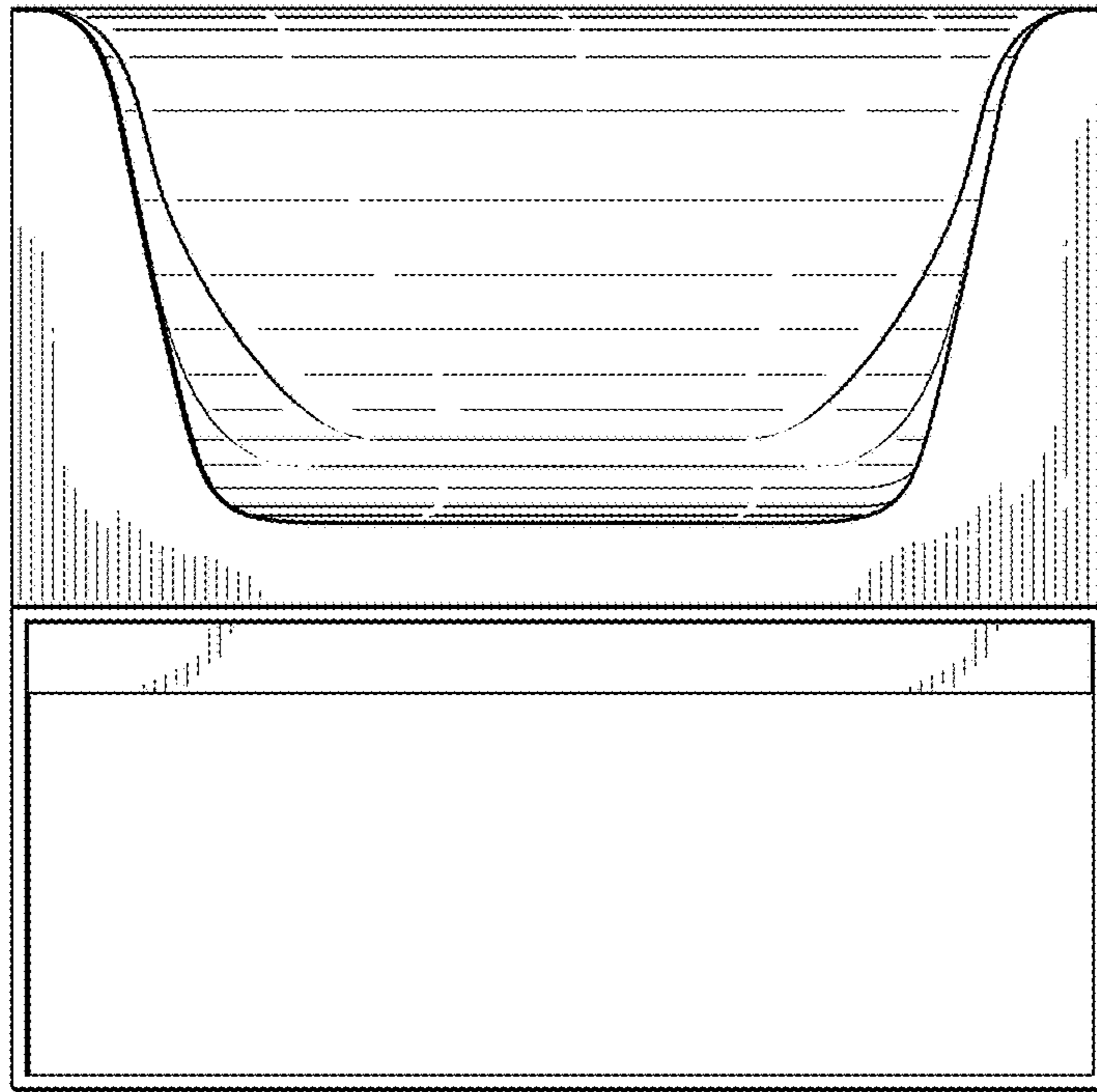


Fig. 4

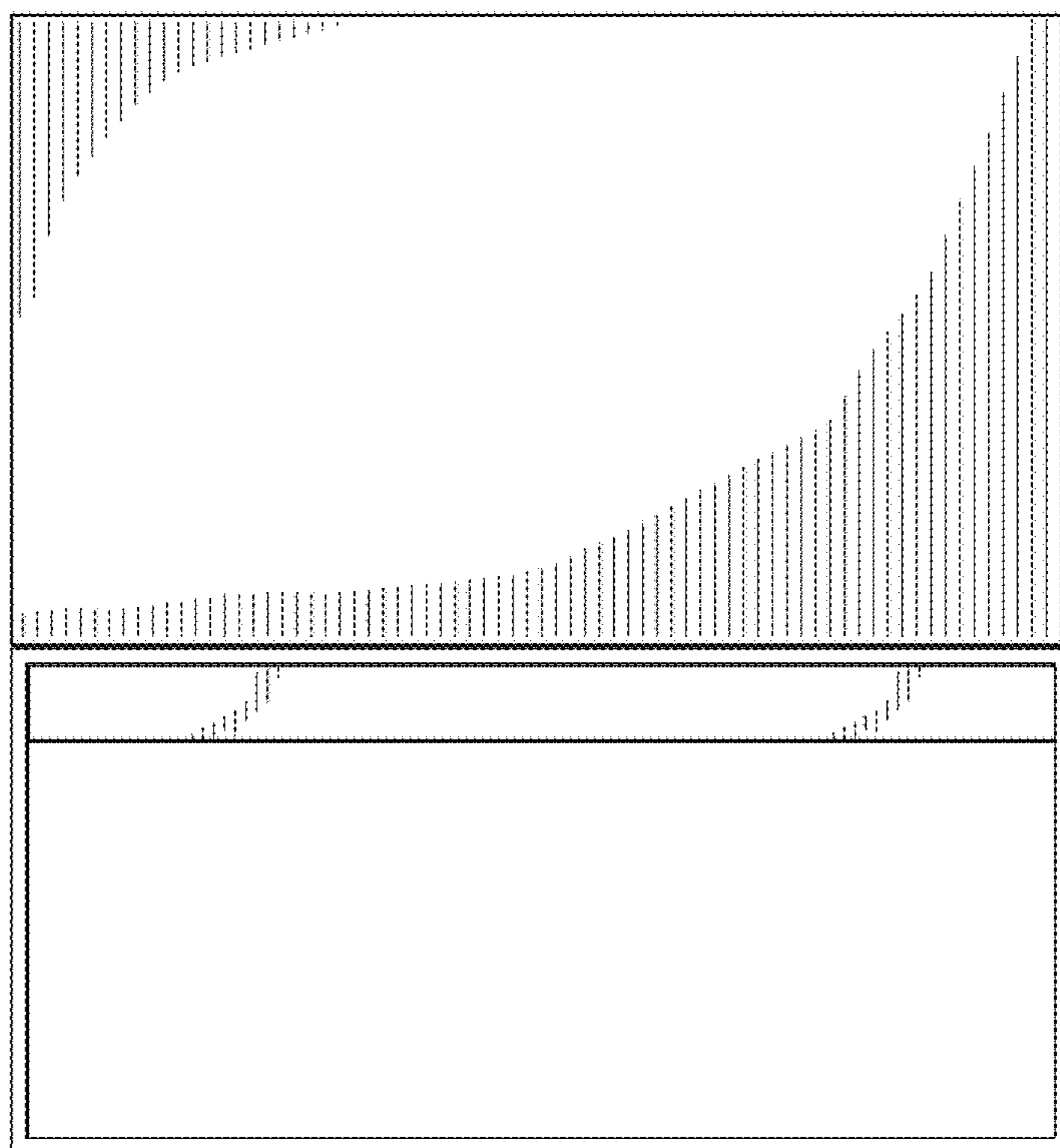


Fig. 5

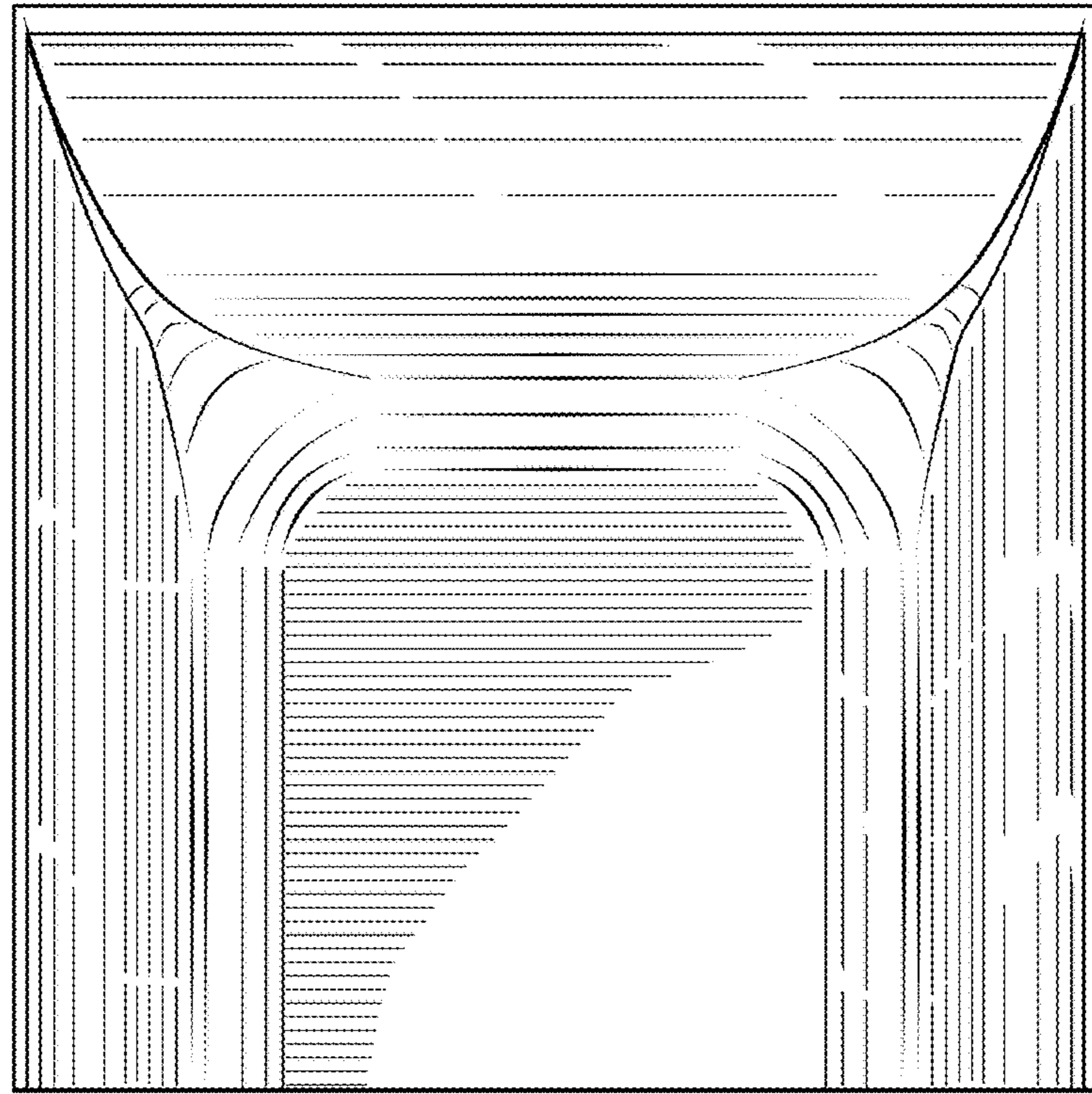


Fig. 6

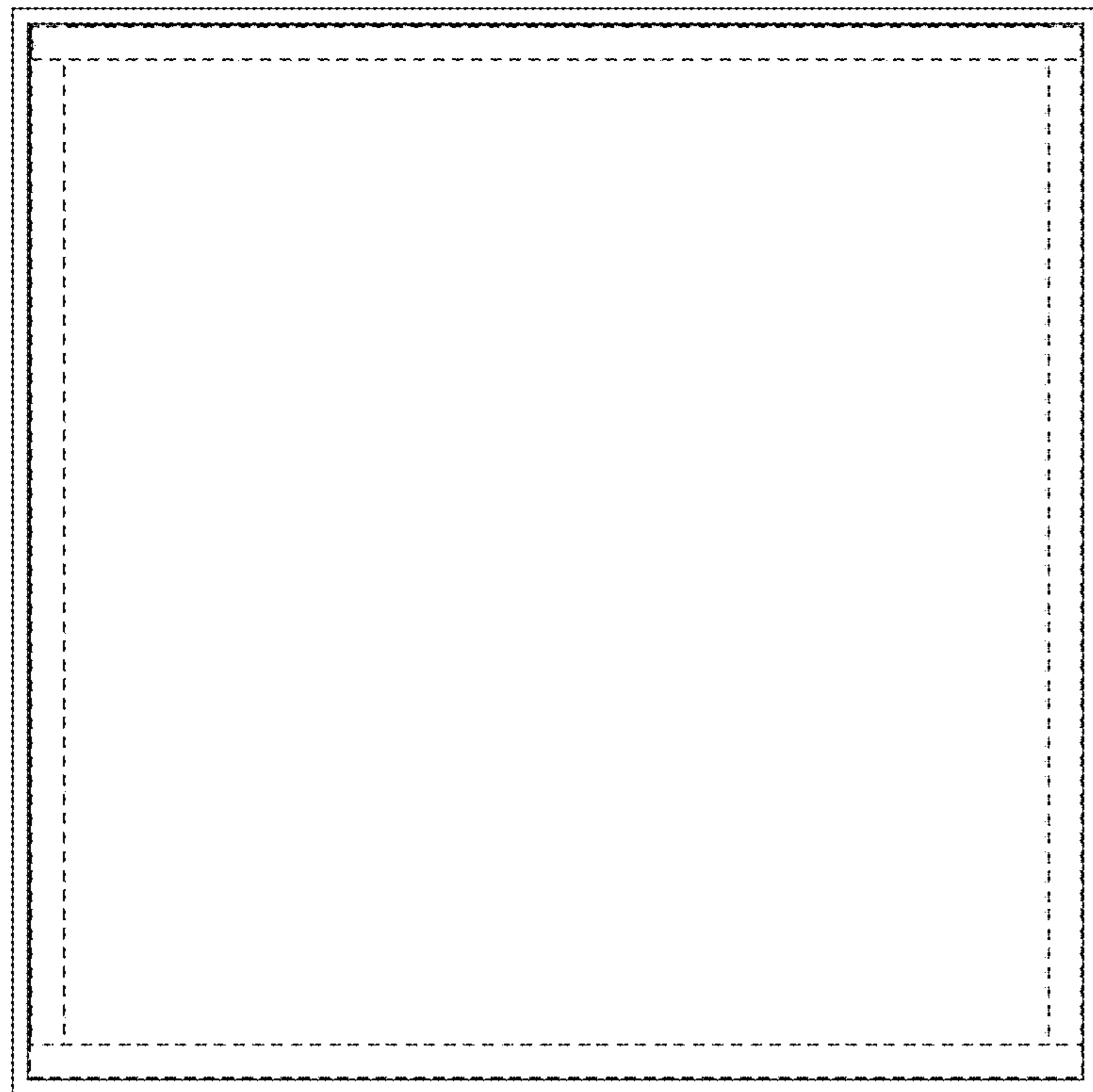


Fig. 7

