



US00D811105S

(12) **United States Design Patent** (10) **Patent No.:** **US D811,105 S**
Williams et al. (45) **Date of Patent:** **** Feb. 27, 2018**

(54) **STOOL**
(71) Applicant: **Revival Furniture Design Studio Inc., Milton (CA)**
(72) Inventors: **Dan Williams, Burlington (CA); Tony Belbeck, Milton (CA)**

D652,240 S * 1/2012 Colman D6/601
D670,926 S * 11/2012 Ukmar D6/349
D672,596 S * 12/2012 Sclare D6/601
D691,827 S * 10/2013 Gilbert D6/567
2005/0022305 A1* 2/2005 Bieganek A47C 7/022
5/630
2012/0299350 A1* 11/2012 Willingham A47C 3/12
297/284.2

(**) Term: **15 Years**
(21) Appl. No.: **29/559,751**
(22) Filed: **Mar. 31, 2016**
(51) **LOC (11) Cl.** **06-01**
(52) **U.S. Cl.**
USPC **D6/351; D6/716.1**
(58) **Field of Classification Search**
USPC D6/349–353, 358, 360, 364–365, 367,
D6/403–405, 601, 691–691.9, 692–692.6,
D6/703.6, 703.7, 705, 716.1; D25/62–65
CPC A47C 9/00–9/105; A47C 7/00–7/02; A47C
16/00–16/04; A47B 7/00–7/02; A47B
3/00; A47B 3/02; A47B 3/04; A47B 3/12
See application file for complete search history.

OTHER PUBLICATIONS

The Guitar Stool. [online] Retrieved Jun. 13, 2017 from URL:
<<https://theguitarstool.com/>>.*
Collections—The Guitar Stool. [online] Retrieved Jun. 13, 2017
from URL: <<https://theguitarstool.com/collections/>>.*
Guitar Stool/ Guitar Stand. [online] Published Dec. 22, 2009.
Retrieved Jun. 13, 2017 from URL: <<https://fillingham.wordpress.com/2009/12/22/guitarstoolguitarstand/>>.*

* cited by examiner

Primary Examiner — Vy N Koenig
(74) *Attorney, Agent, or Firm* — Heer Law; Christopher
D. Heer

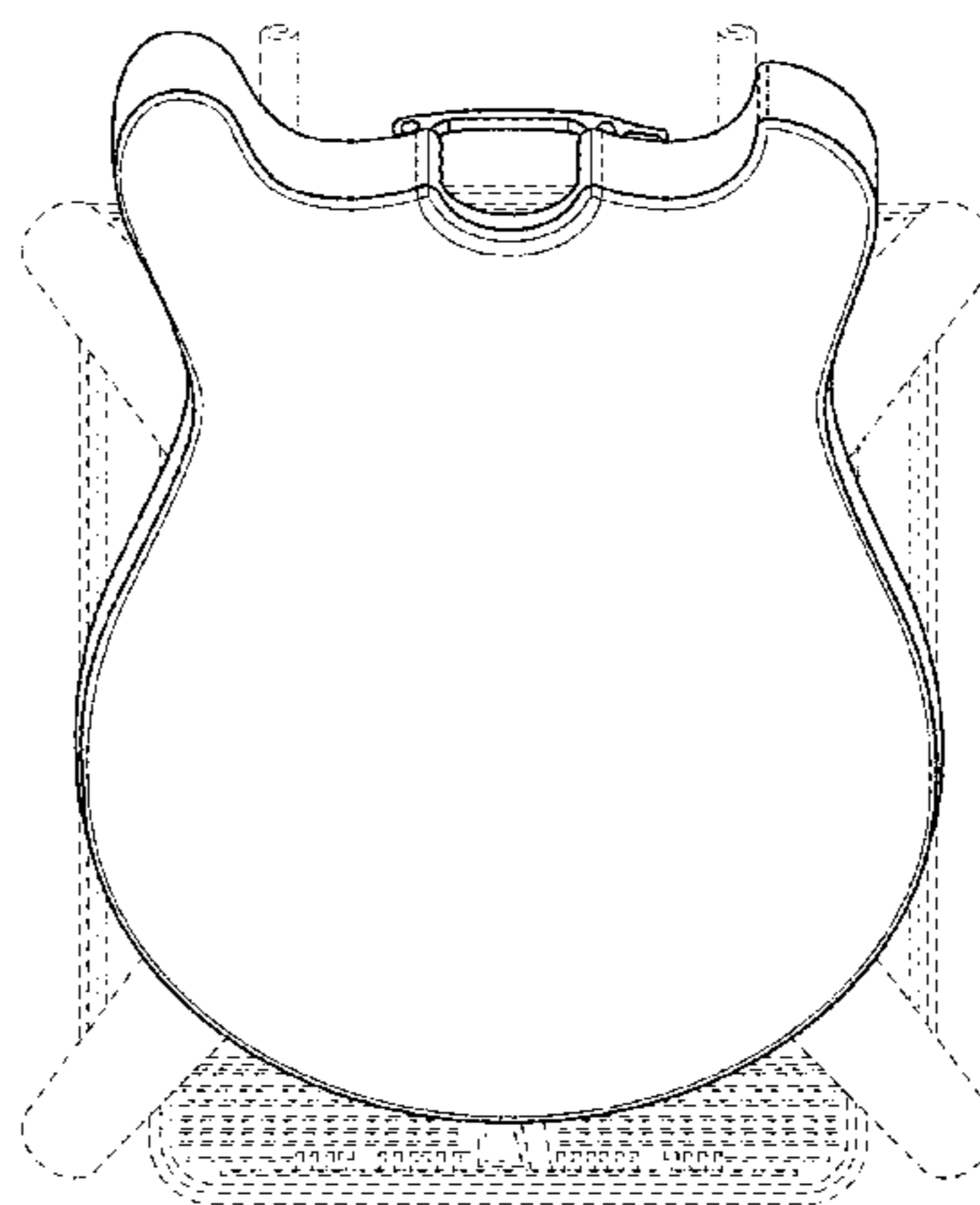
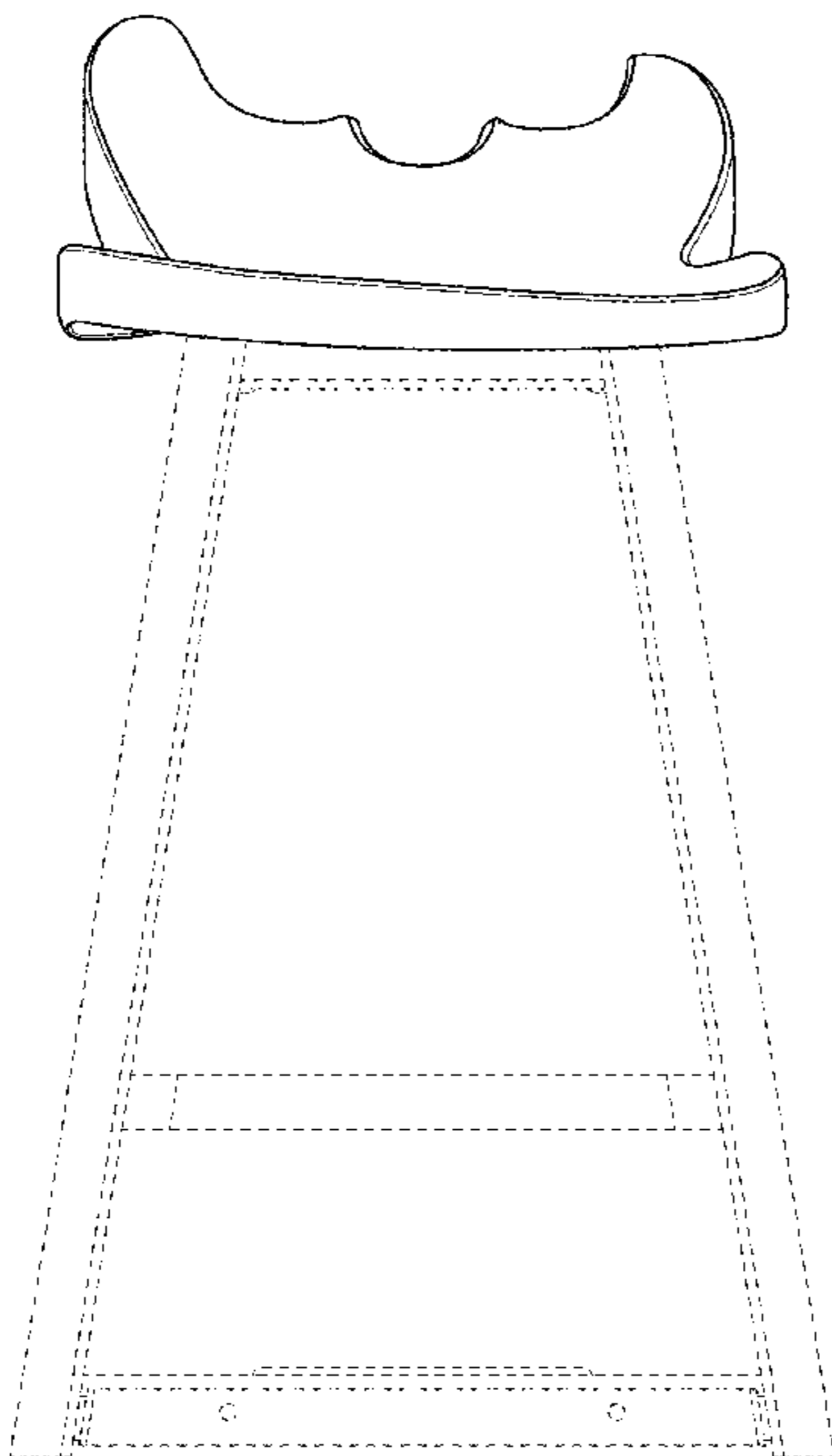
(57) **CLAIM**
The ornamental design for a stool, as shown and described.

(56) **References Cited**
U.S. PATENT DOCUMENTS
D29,235 S * 8/1898 Dennett D6/716.1
4,032,190 A * 6/1977 Muller-Deisig A47C 3/12
297/285
D349,721 S * 8/1994 Riboloff D17/20
D359,647 S * 6/1995 Dardashti D6/407
D396,374 S * 7/1998 Ljubojevic D6/630
D496,803 S * 10/2004 Bjurman D6/364
D530,107 S * 10/2006 Kita D6/349
D531,423 S * 11/2006 Whiteside D6/367
D584,338 S * 1/2009 Lyngge D17/20
D647,336 S * 10/2011 Bao D6/716.1

DESCRIPTION

FIG. 1 is a front view of the stool according to the present design;
FIG. 2 is a rear view thereof;
FIG. 3 is a top view thereof;
FIG. 4 is a bottom view thereof;
FIG. 5 is a left side view thereof; and,
FIG. 6 is a right side view thereof.
The broken lines in the drawings depict portions of the stool that form no part of the claimed design.

1 Claim, 6 Drawing Sheets



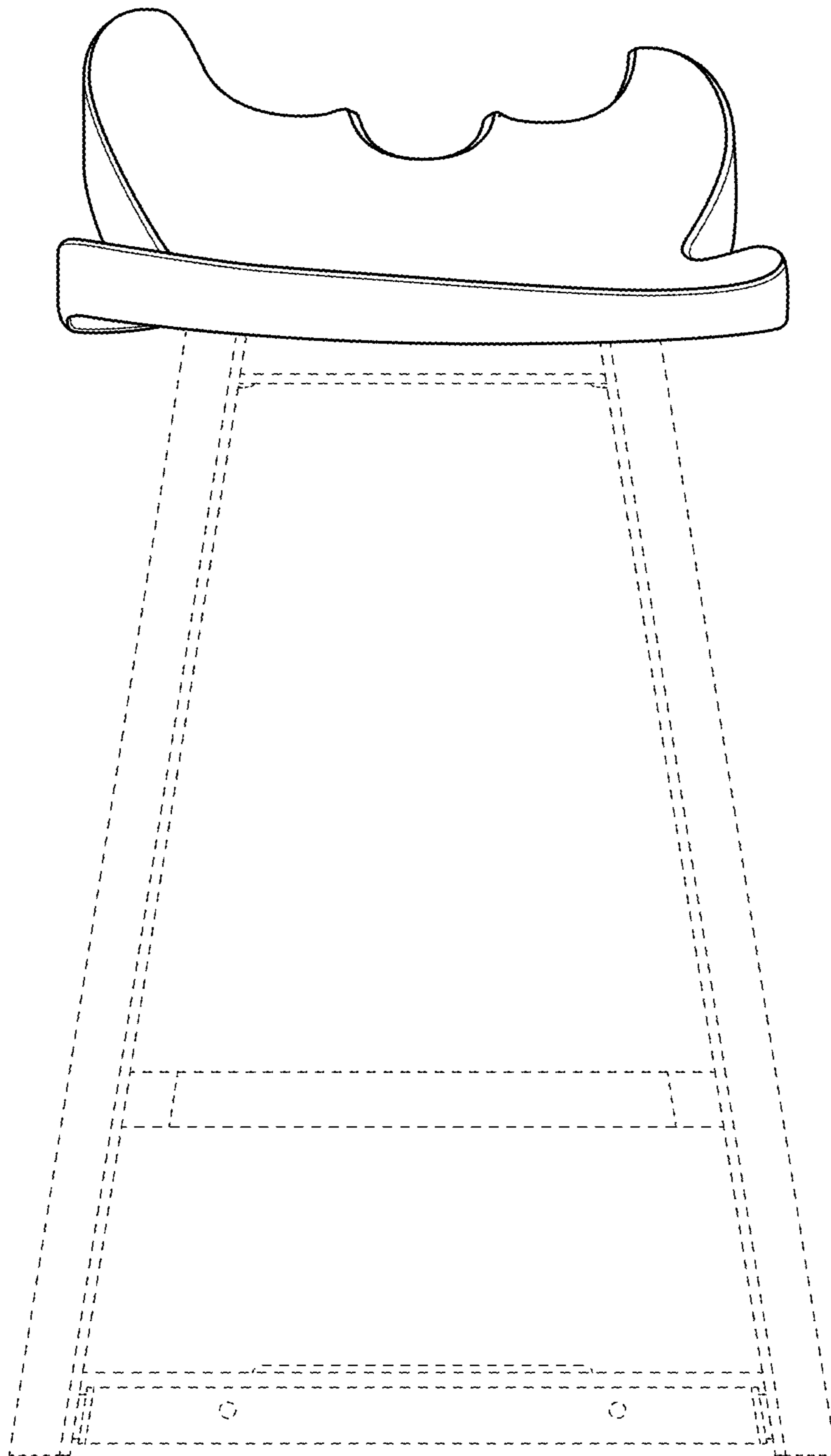


FIG. 1

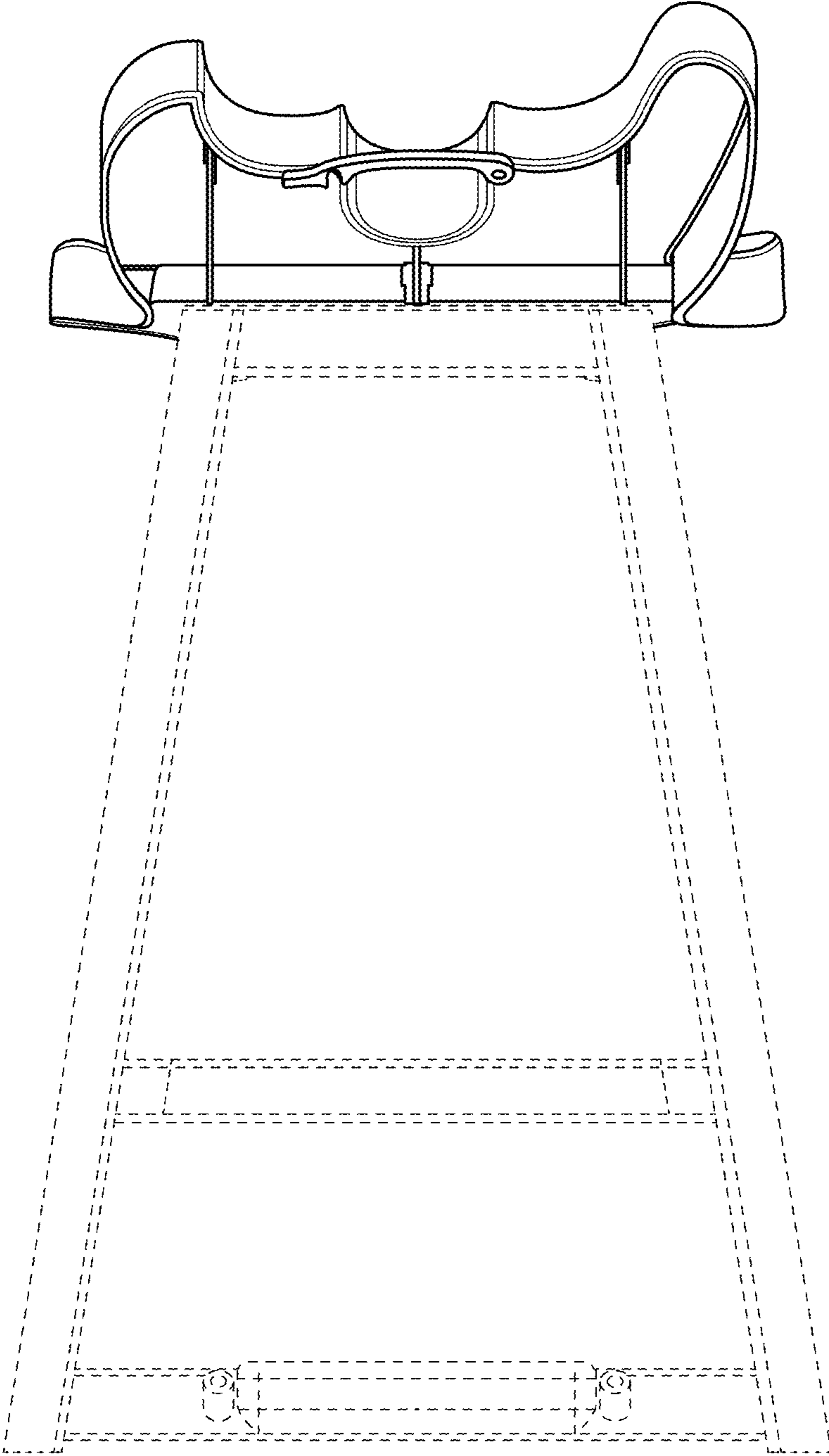


FIG. 2

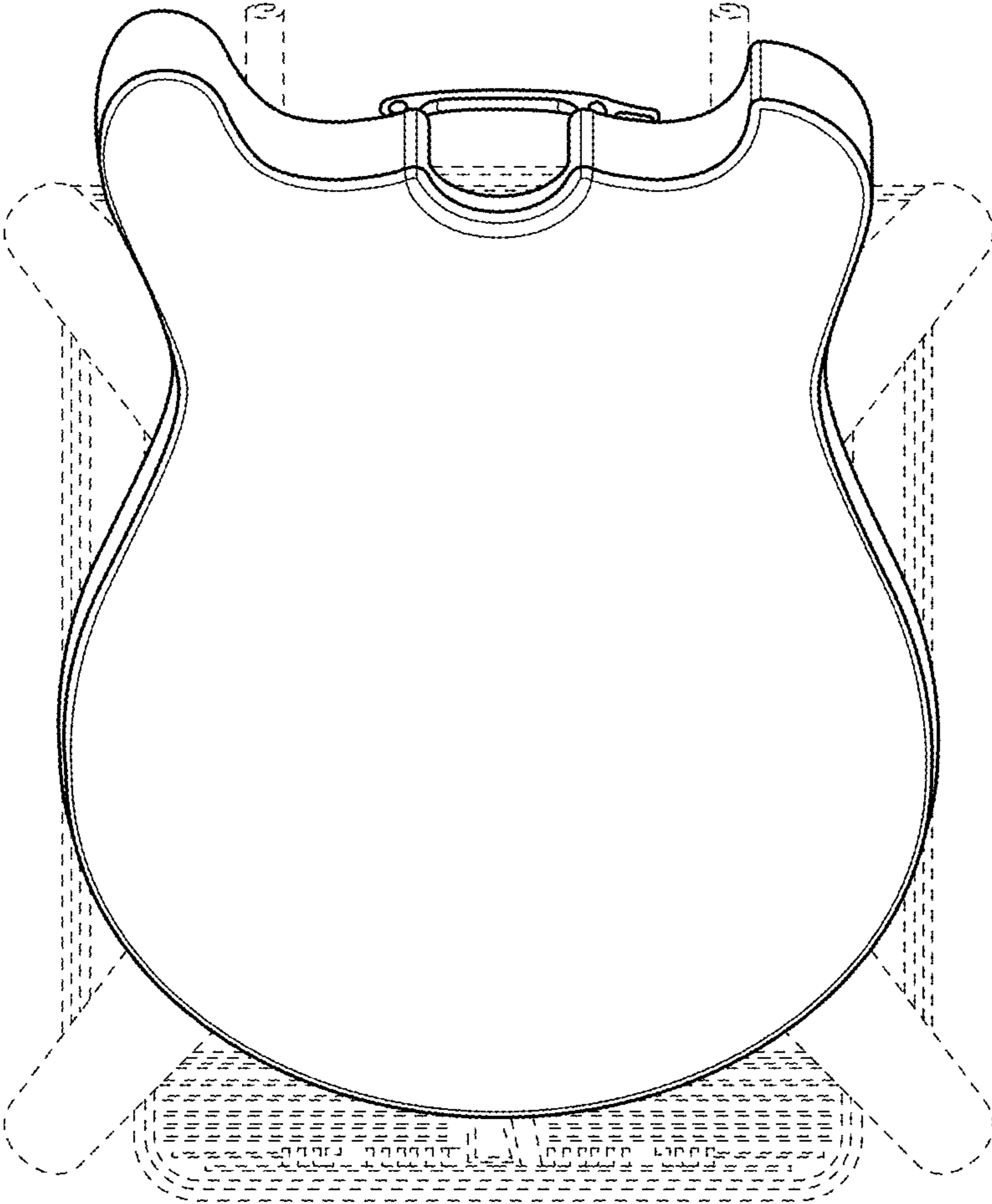


FIG. 3

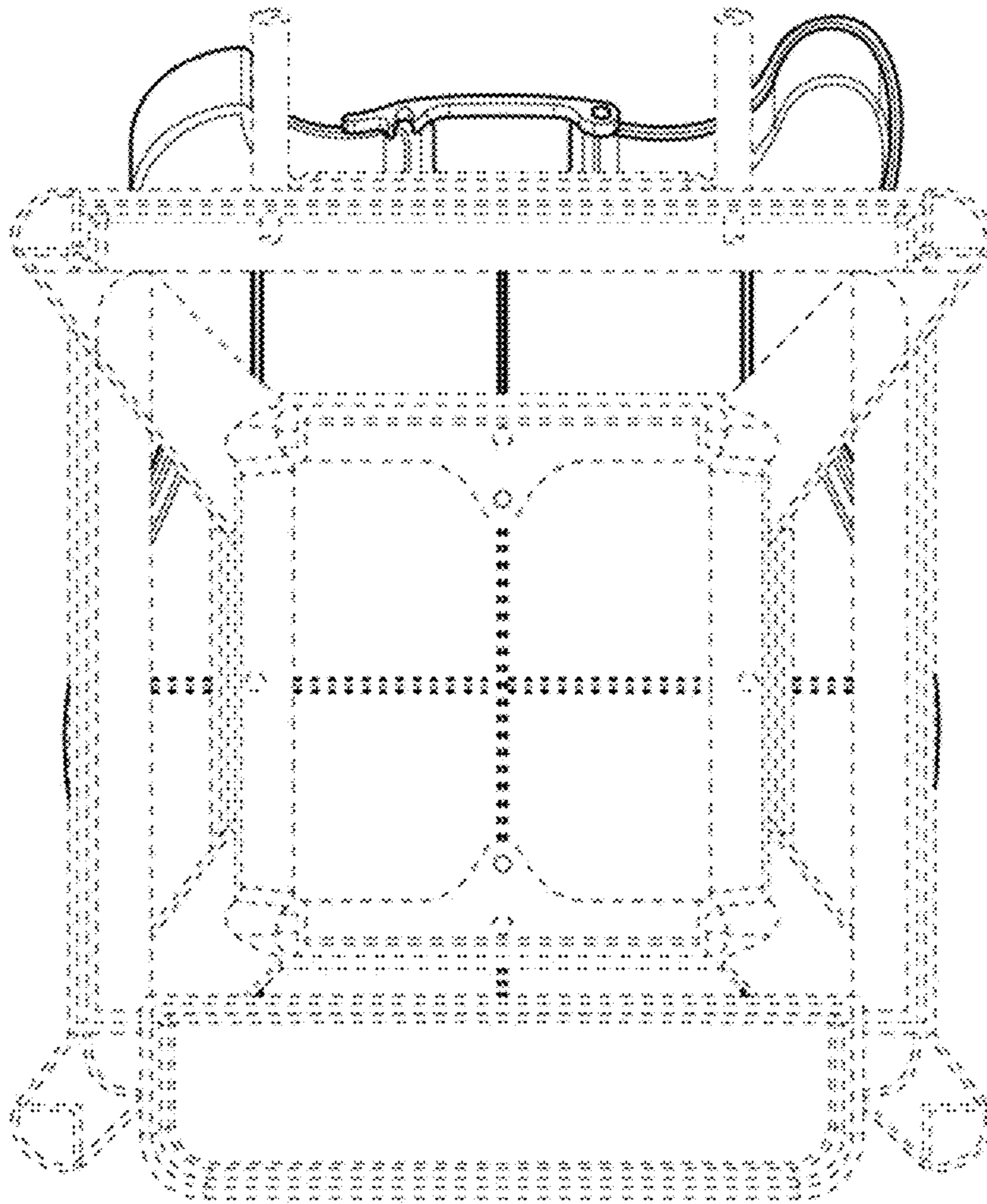


FIG. 4

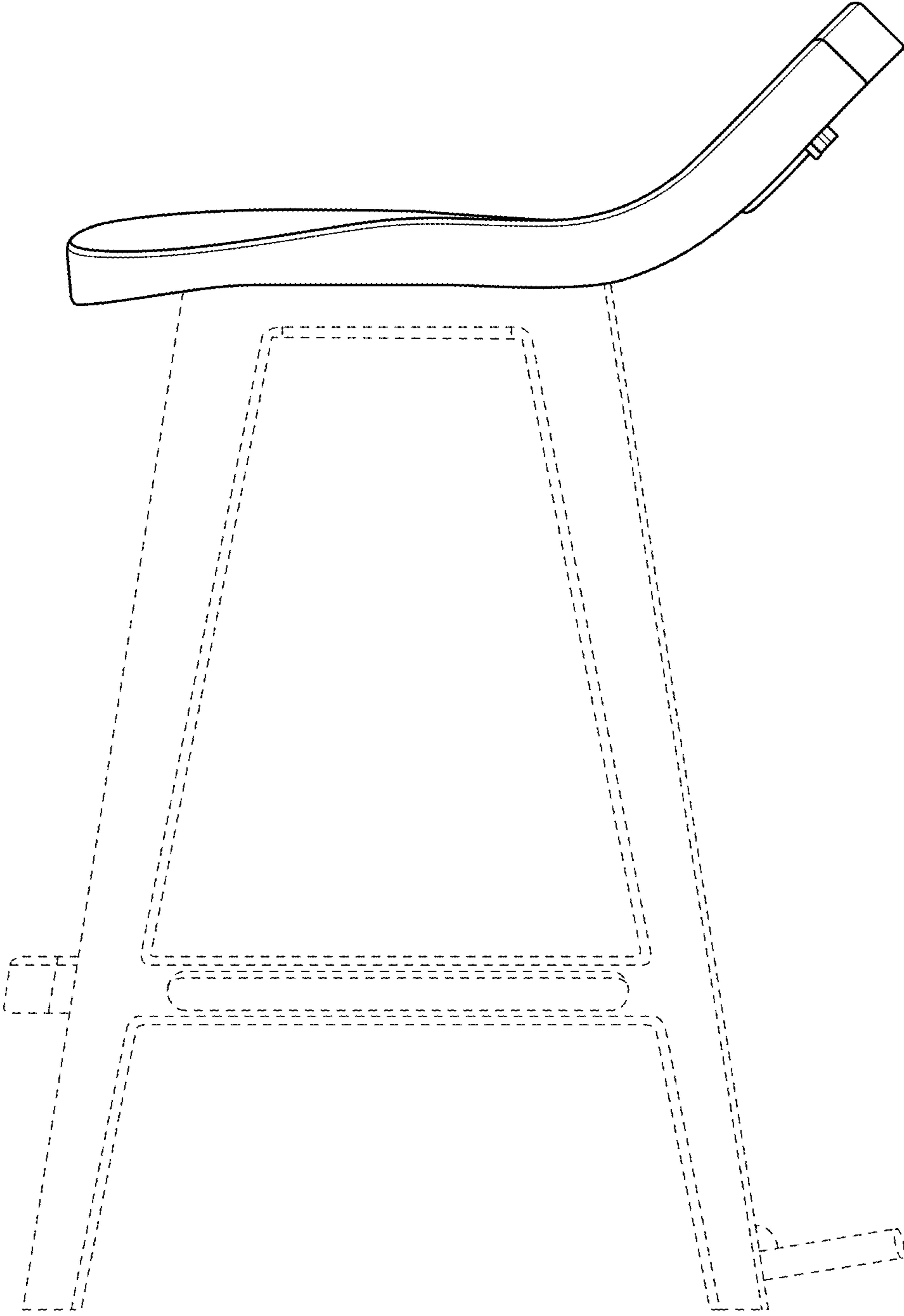


FIG. 5

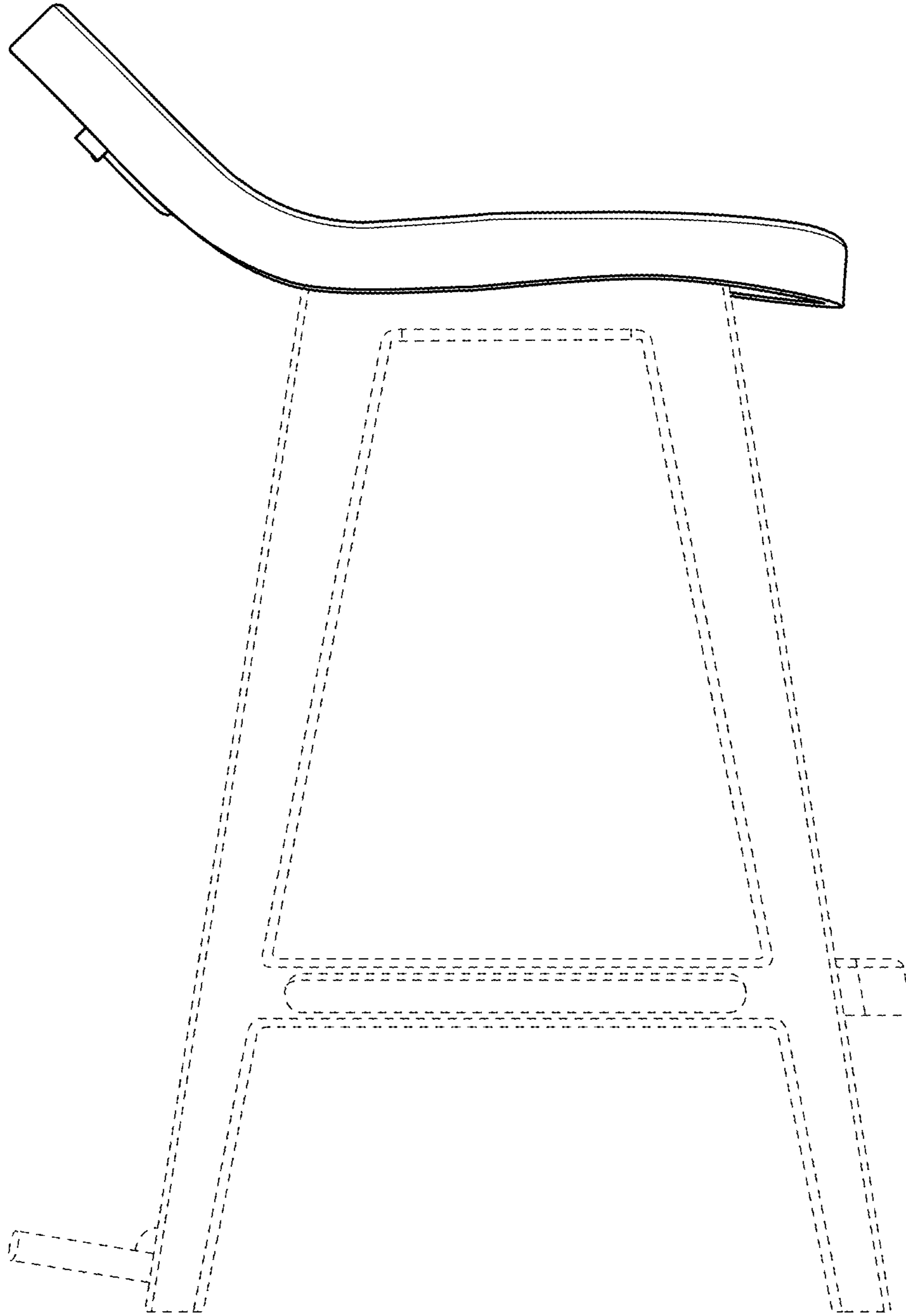


FIG. 6