



US00D811104S

(12) **United States Design Patent**
Schachter

(10) **Patent No.:** **US D811,104 S**

(45) **Date of Patent:** **** Feb. 27, 2018**

(54) **OTTOMAN**

(71) Applicant: **The FHE Group Inc.**, Concord (CA)

(72) Inventor: **Adam Schachter**, Concord (CA)

(73) Assignee: **The FHE Group Inc.**, Concord (CA)

(**) Term: **15 Years**

(21) Appl. No.: **29/556,816**

(22) Filed: **Mar. 3, 2016**

(30) **Foreign Application Priority Data**

Feb. 12, 2016 (CA) 166937

(51) **LOC (11) Cl.** **06-01**

(52) **U.S. Cl.**
USPC **D6/349; D6/336**

(58) **Field of Classification Search**
USPC D6/334, 349-355, 358, 360-368,
D6/371-374, 403, 405, 601, 657, 675.4,
(Continued)

(56) **References Cited**

U.S. PATENT DOCUMENTS

D151,983 S * 12/1948 Guertin 297/462
3,655,065 A * 4/1972 Yellin A47B 47/042
108/151

(Continued)

OTHER PUBLICATIONS

Amazon FHE Folding Storage. [online] First available Sep. 18, 2013. Retrieved Aug. 11, 2017 from URL:<https://www.amazon.com/FHE-Group-Folding-Storage-Ottomans/dp/B00FRF8JH4>.*

(Continued)

Primary Examiner — Vy N Koenig

(74) *Attorney, Agent, or Firm* — Bond Schoeneck & King, PLLC; George McGuire

(57) **CLAIM**

The ornamental design for an ottoman, as shown and described.

DESCRIPTION

FIG. 1 is a front-left perspective view of an ottoman showing my new design in a closed position with the removable cover located on the top side;

FIG. 2 is a left side view of the ottoman shown in FIG. 1;

FIG. 3 is a right side view of the ottoman shown in FIG. 1;

FIG. 4 is a top side view of the ottoman shown in FIG. 1;

FIG. 5 is a bottom side view of the ottoman shown in FIG. 1;

FIG. 6 is a front side view of the ottoman shown in FIG. 1;

FIG. 7 is a rear side view of the ottoman shown in FIG. 1;

FIG. 8 is a front-top perspective view of the first embodiment of the ottoman shown in a first open position with the removable cover located on the right side;

FIG. 9 is a top side view of the ottoman shown in FIG. 8;

FIG. 10 is a bottom side view of the ottoman shown in FIG. 8;

FIG. 11 is a right side view of the ottoman shown in FIG. 8;

FIG. 12 is a left side view of the ottoman shown in FIG. 8;

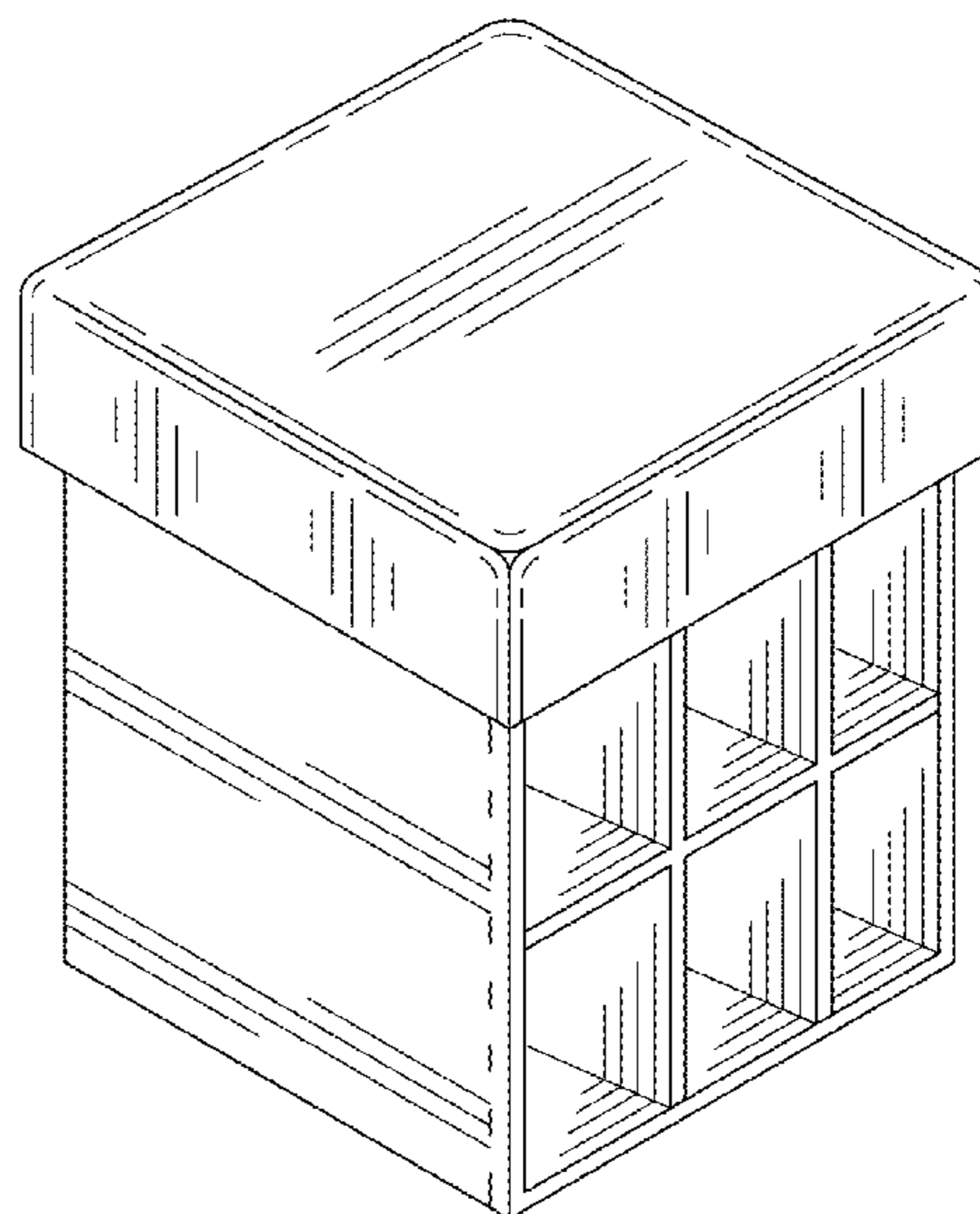
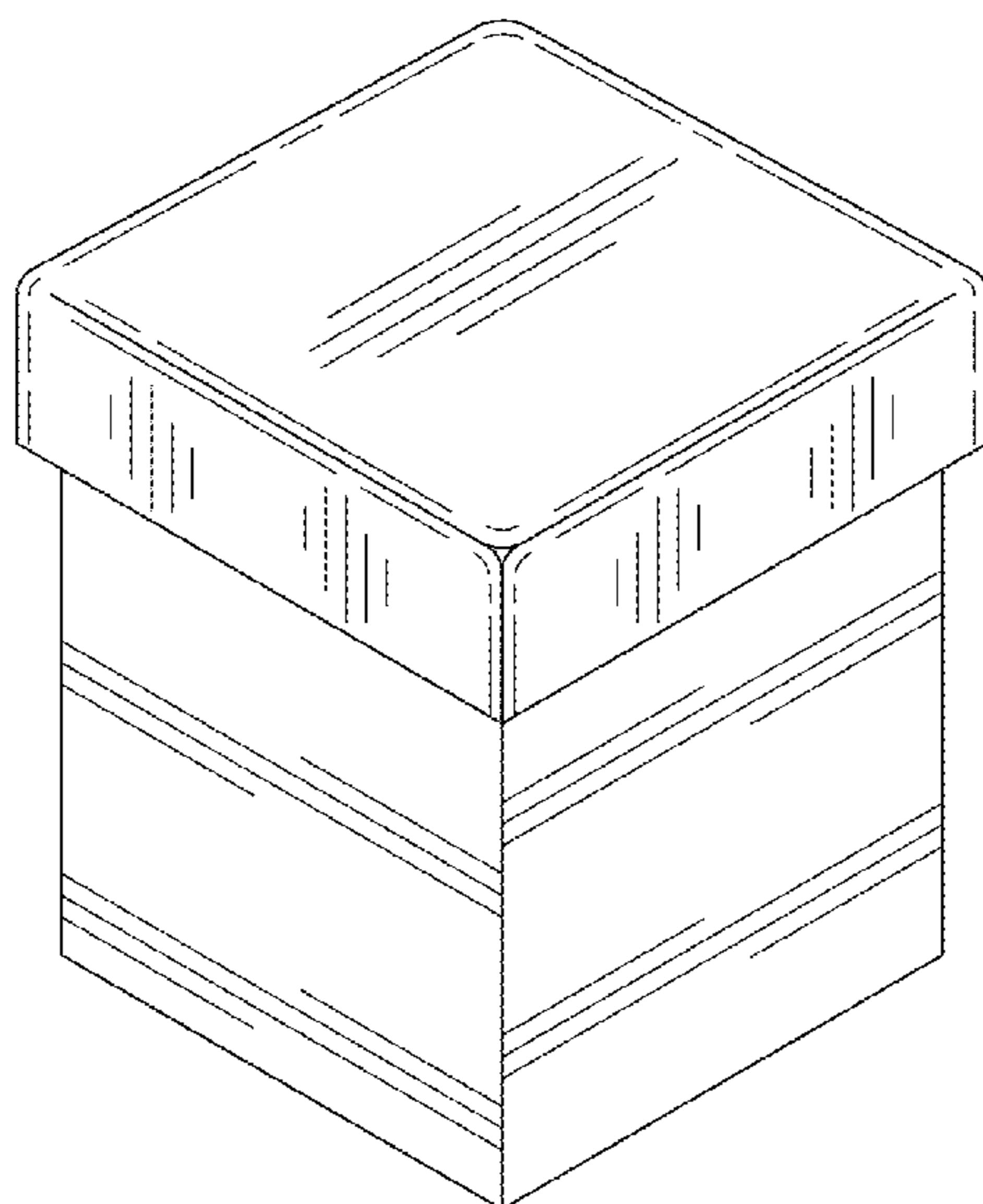
FIG. 13 is a front side view of the ottoman shown in FIG. 8;

FIG. 14 is a rear side view of the ottoman shown in FIG. 8; and,

FIG. 15 is a left-top perspective view of the first embodiment of the ottoman shown in a second open position with the removable cover located on the front side.

The broken lines shown in the drawings depict portions of the ottoman that form no part of the claimed design.

1 Claim, 9 Drawing Sheets



US D811,104 S

Page 2

(58) **Field of Classification Search**

USPC D6/685, 688.17, 690, 691–691.9,
D6/692–692.6, 693–693.3, 695, 708,
D6/708.15–708.25, 709.11, 336, 675,
D6/675.1, 683.1, 684; D25/62–65
CPC A47C 9/00–9/105; A47C 7/00–7/02; A47C
16/00–16/04; A47C 11/00; A47C 3/18;
A47C 3/20; A47C 12/00; A47C 13/00
See application file for complete search history.

(56) **References Cited**

U.S. PATENT DOCUMENTS

D225,815 S * 1/1973 Torrey D6/675.1
D275,618 S * 9/1984 Agard D3/295
D351,508 S * 10/1994 Bonazza D6/336
D382,142 S * 8/1997 Kelly D6/675.1
D461,061 S * 8/2002 Kent D6/336
D468,915 S * 1/2003 Talbott D06F 95/002
D32/37
D493,302 S * 7/2004 Sabo D6/667

D515,847 S * 2/2006 Moon D6/675.1
D545,592 S * 7/2007 Ohayon D6/675.1
D555,399 S * 11/2007 Tsai D6/675.1
D610,818 S * 3/2010 Crane D6/349
D613,522 S * 4/2010 Kanthasamy D6/667
D674,616 S * 1/2013 Frankel D6/349
D693,605 S * 11/2013 Rasenberg D6/667
8,783,779 B2 * 7/2014 Wittenberg A47C 31/11
297/228.1
D719,380 S * 12/2014 Ward D6/675.1
D723,571 S * 3/2015 Feng D14/447
D741,630 S * 10/2015 Meissner D6/675.1
9,420,889 B2 * 8/2016 Murphy A47C 3/16

OTHER PUBLICATIONS

Brown PU Folding Storage Ottoman With Dividers. [online]
Retrieved Aug. 11, 2017 from URL:[http://www.thefhegroup.com/
Furniture/15-quot-taupe-pu-folding-storage-ottoman-with-divid-
ers.*](http://www.thefhegroup.com/Furniture/15-quot-taupe-pu-folding-storage-ottoman-with-dividers)

* cited by examiner

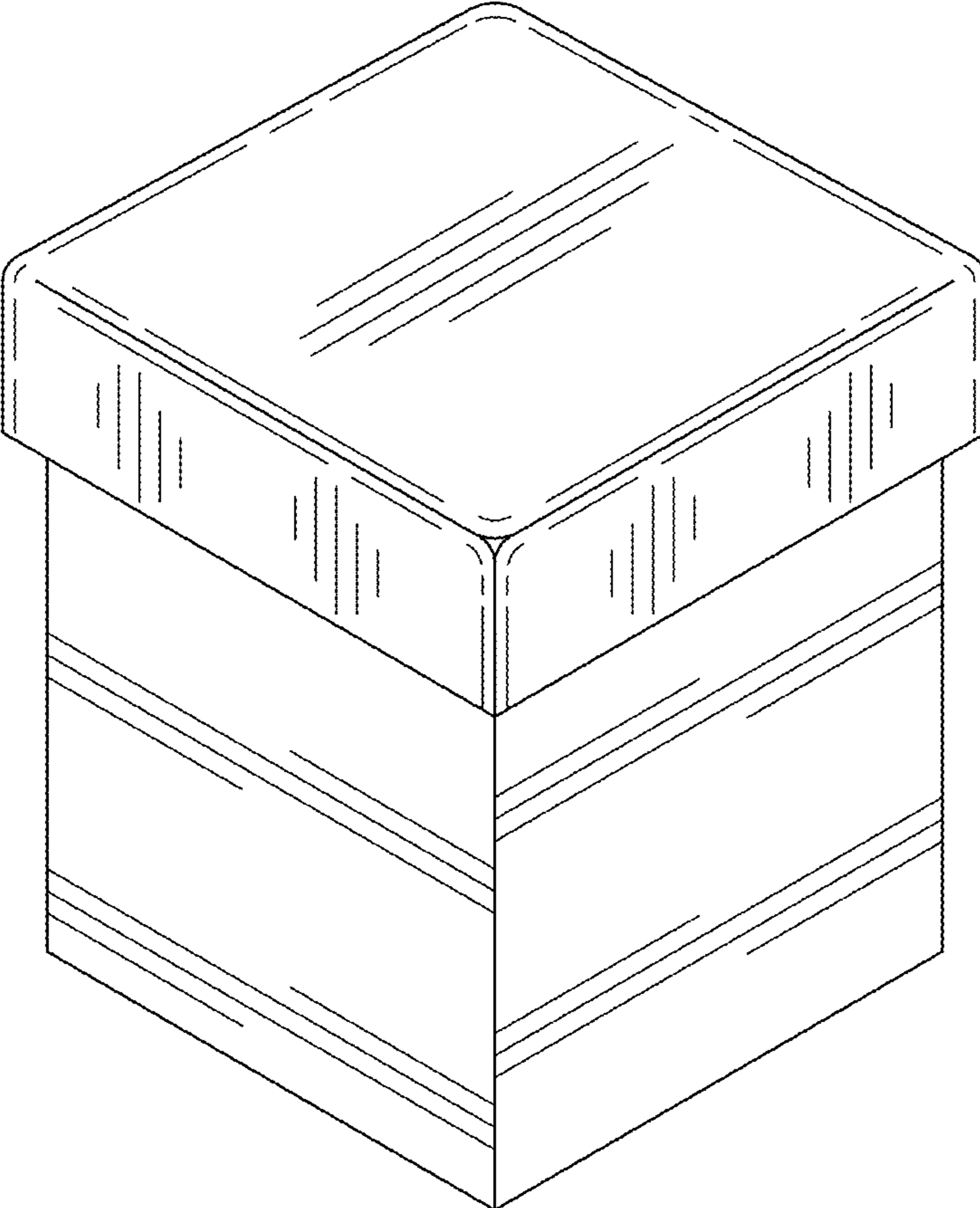


FIG. 1

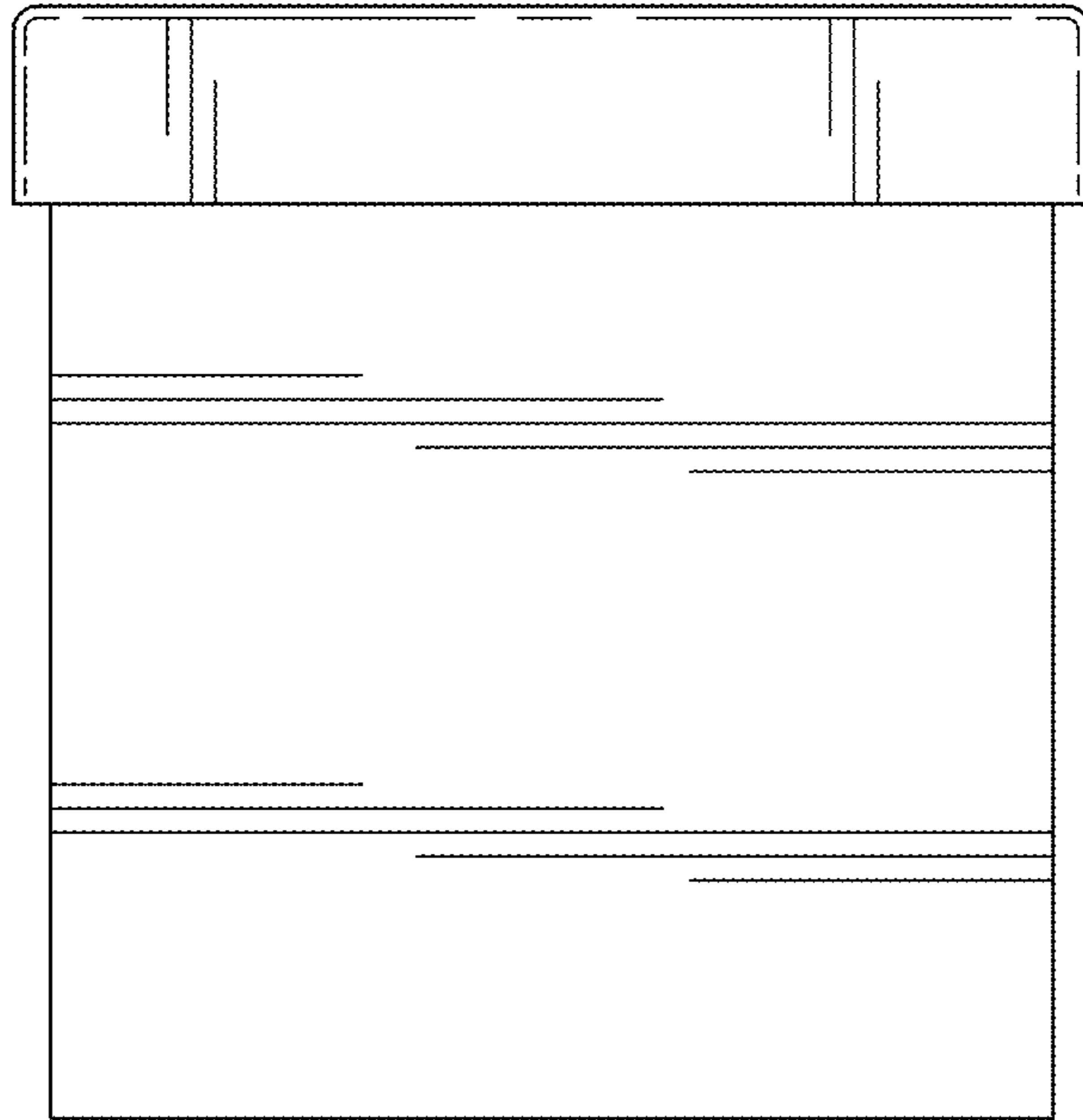


FIG. 2

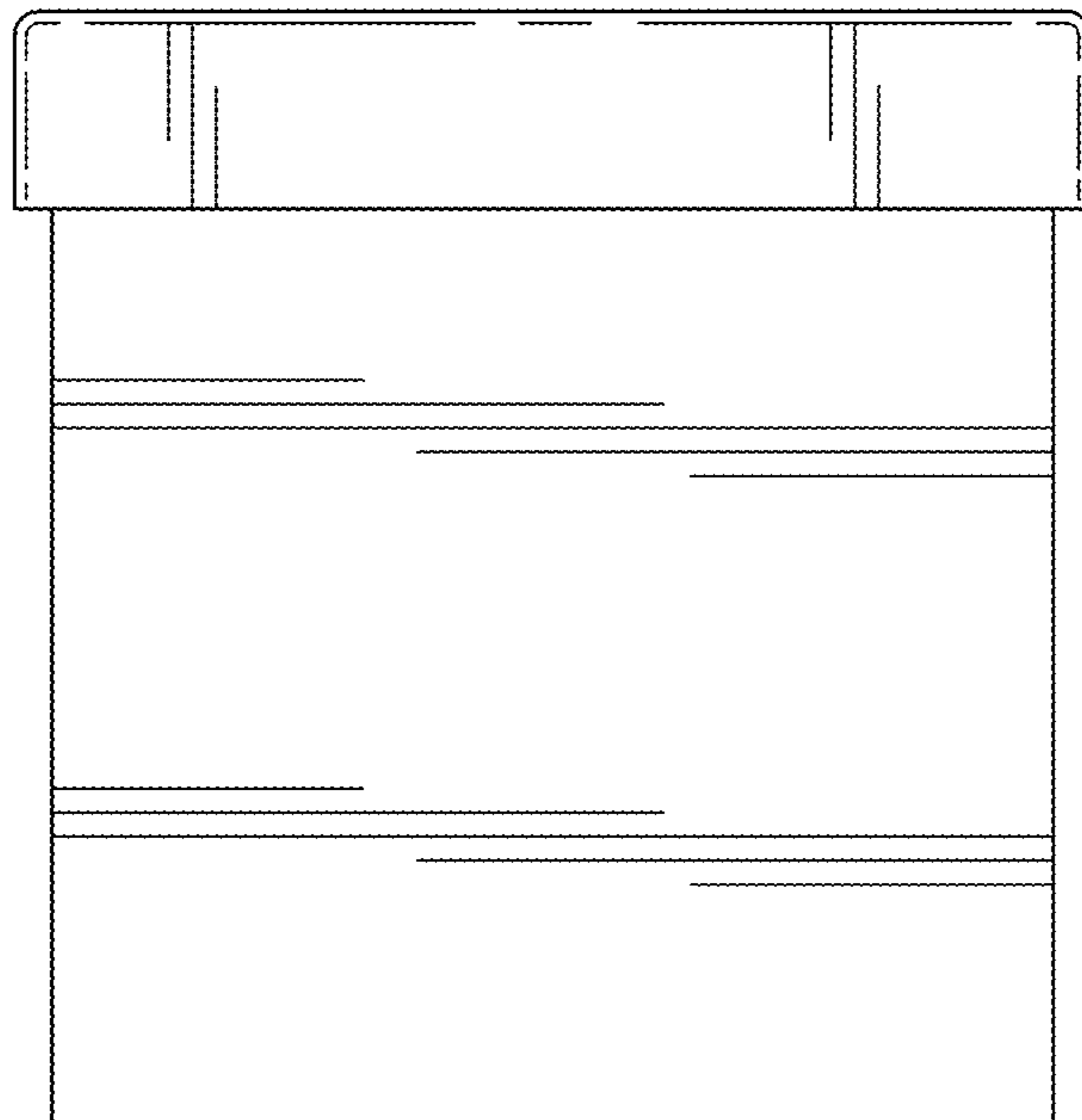


FIG. 3

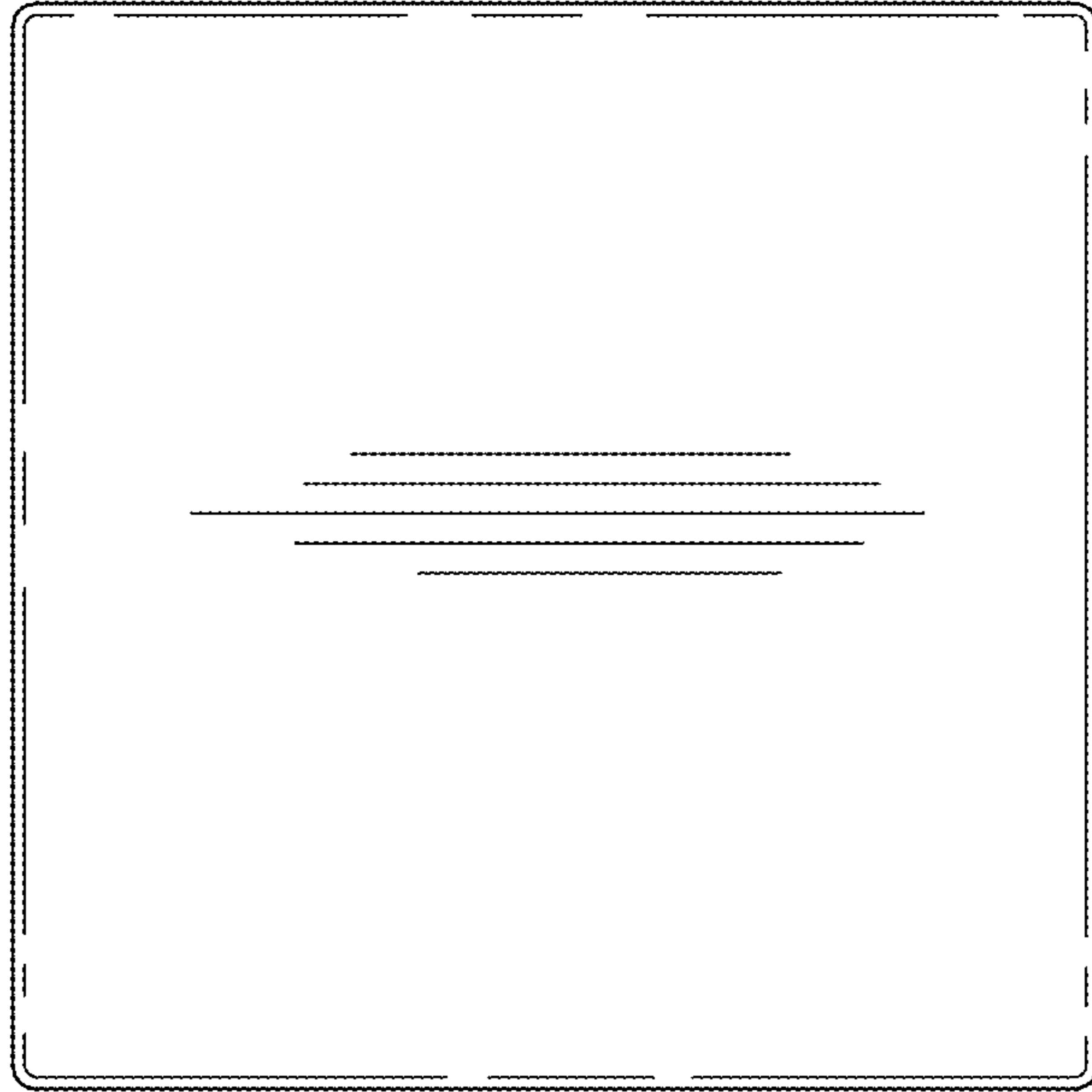


FIG. 4

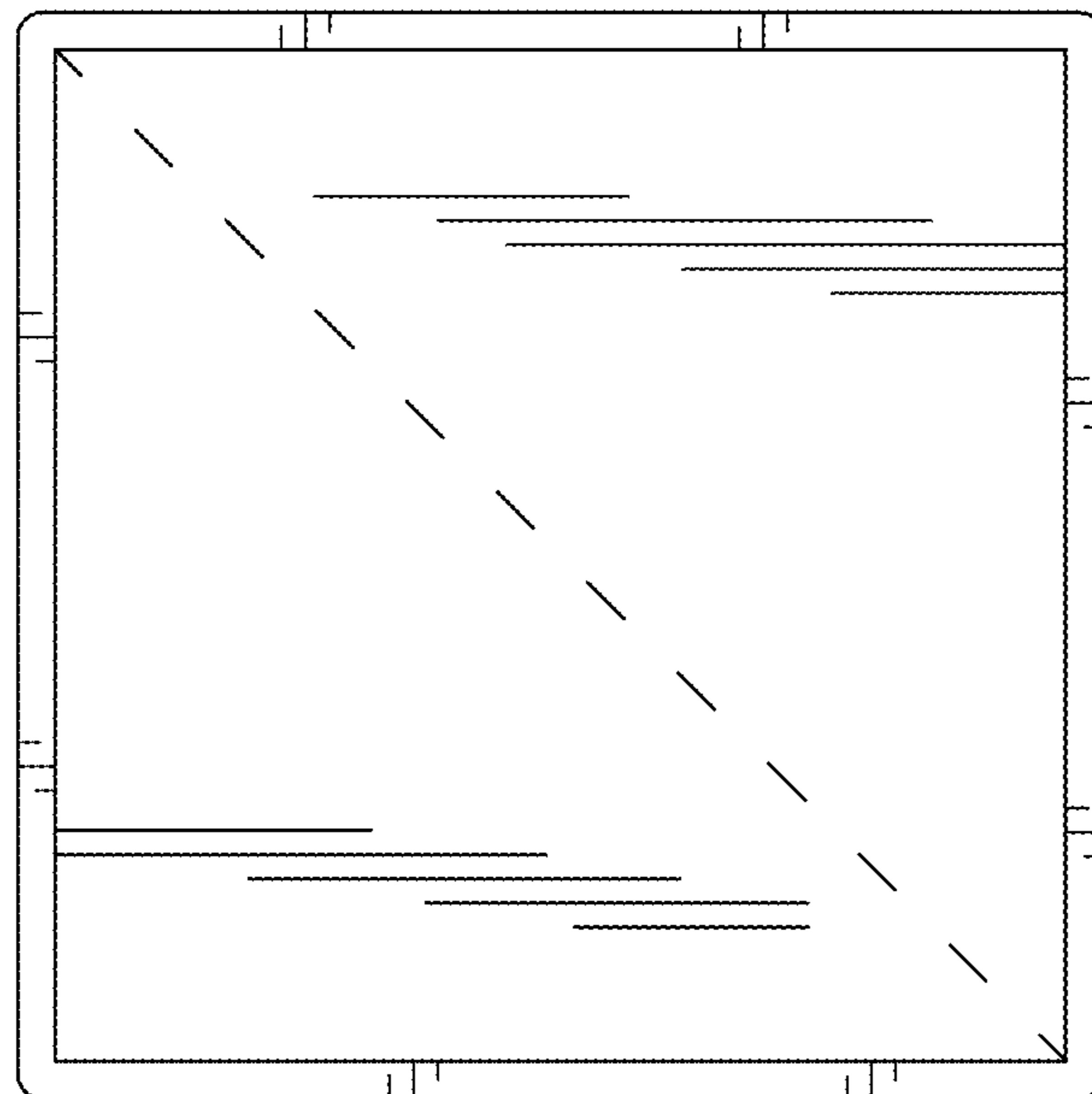


FIG. 5

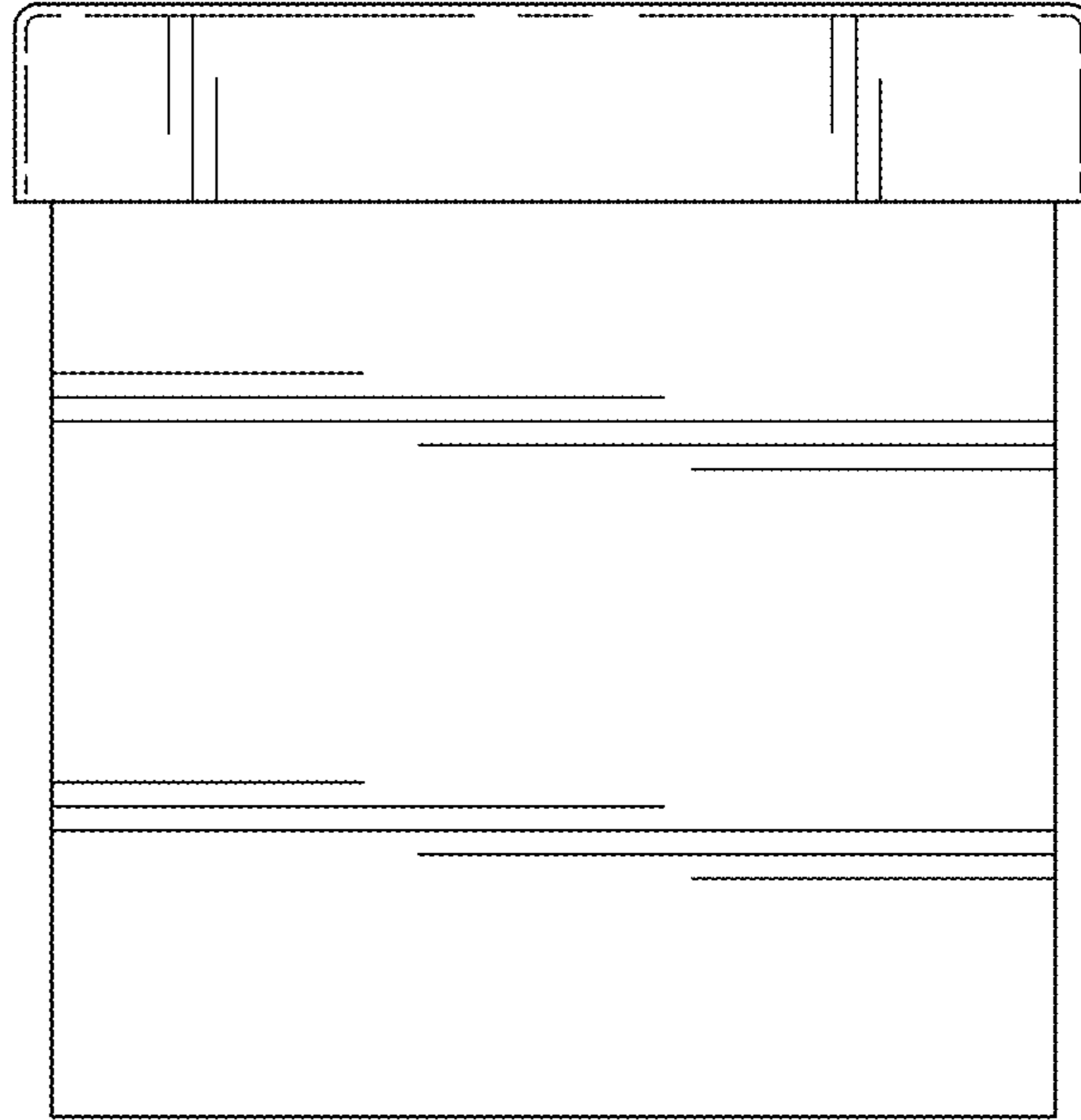


FIG. 6

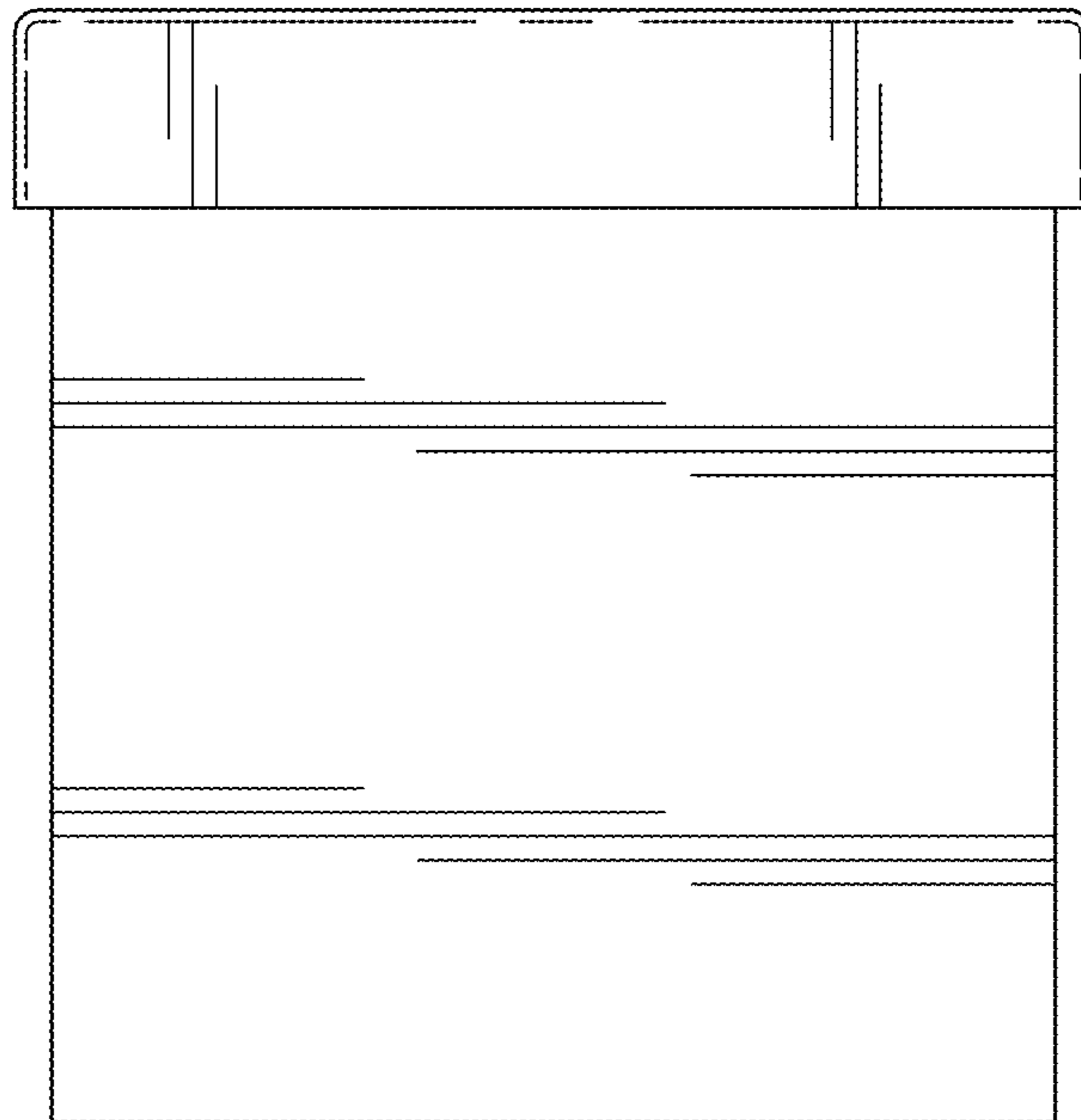


FIG. 7

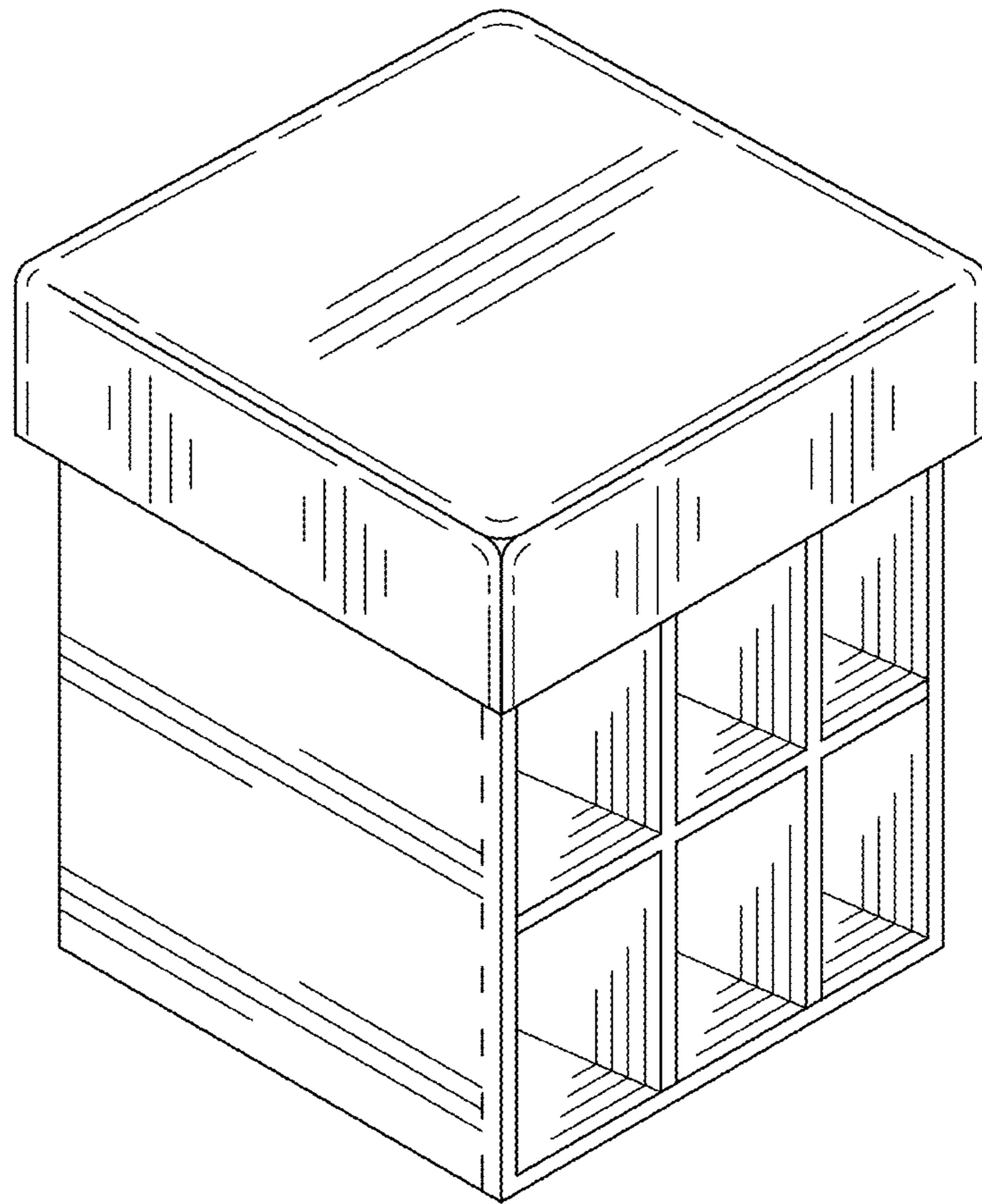


FIG. 8

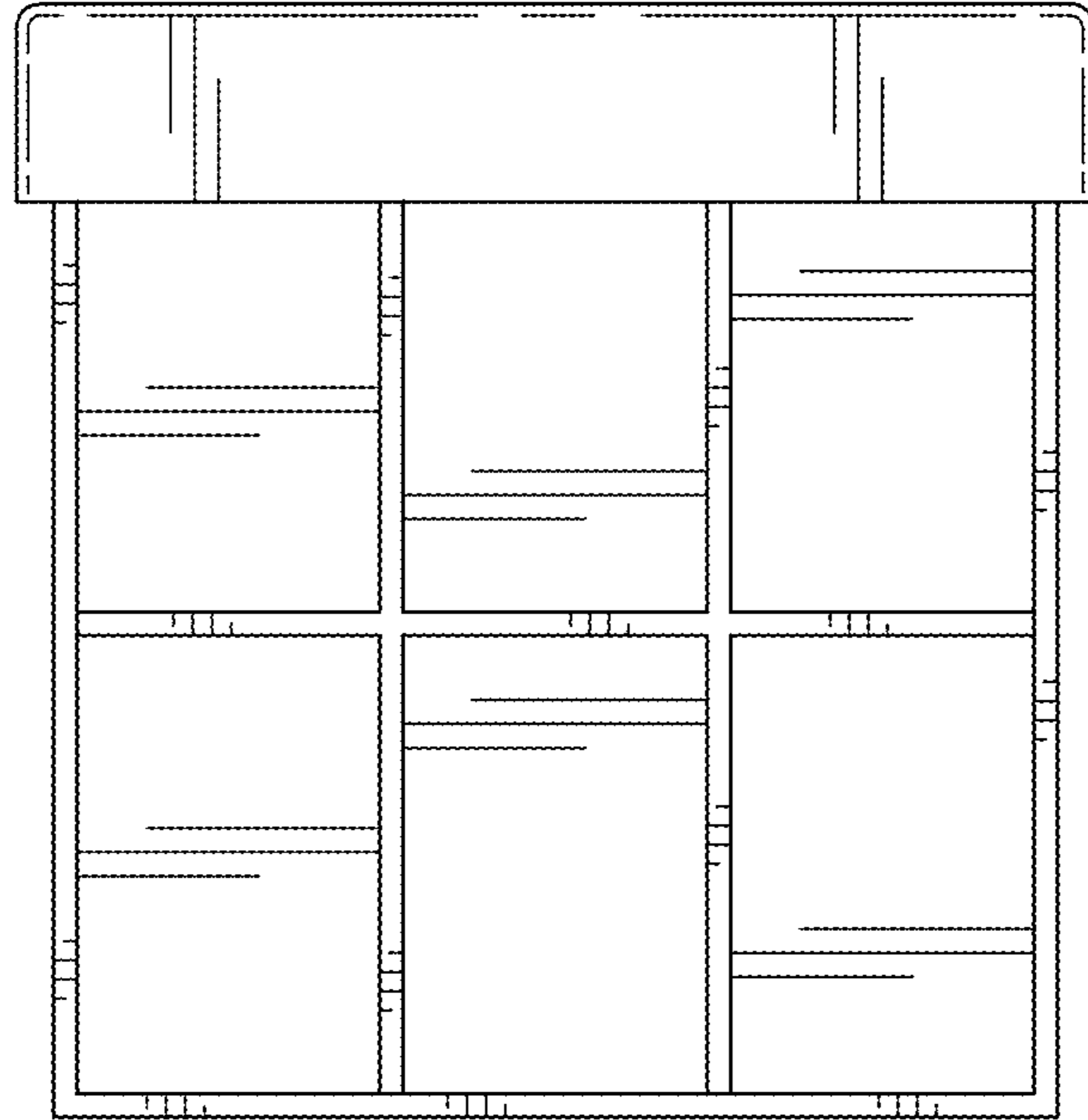


FIG. 9

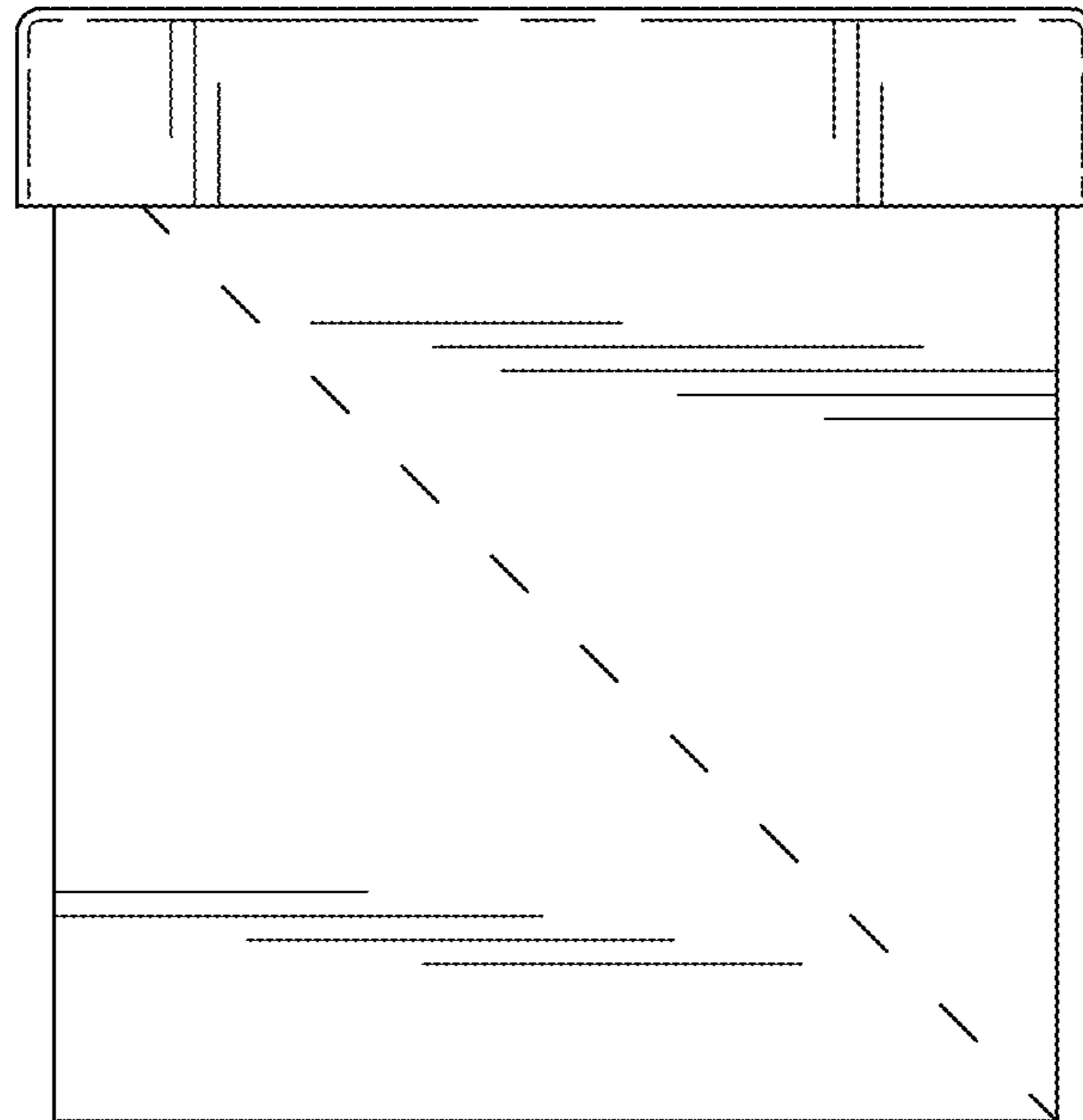


FIG. 10

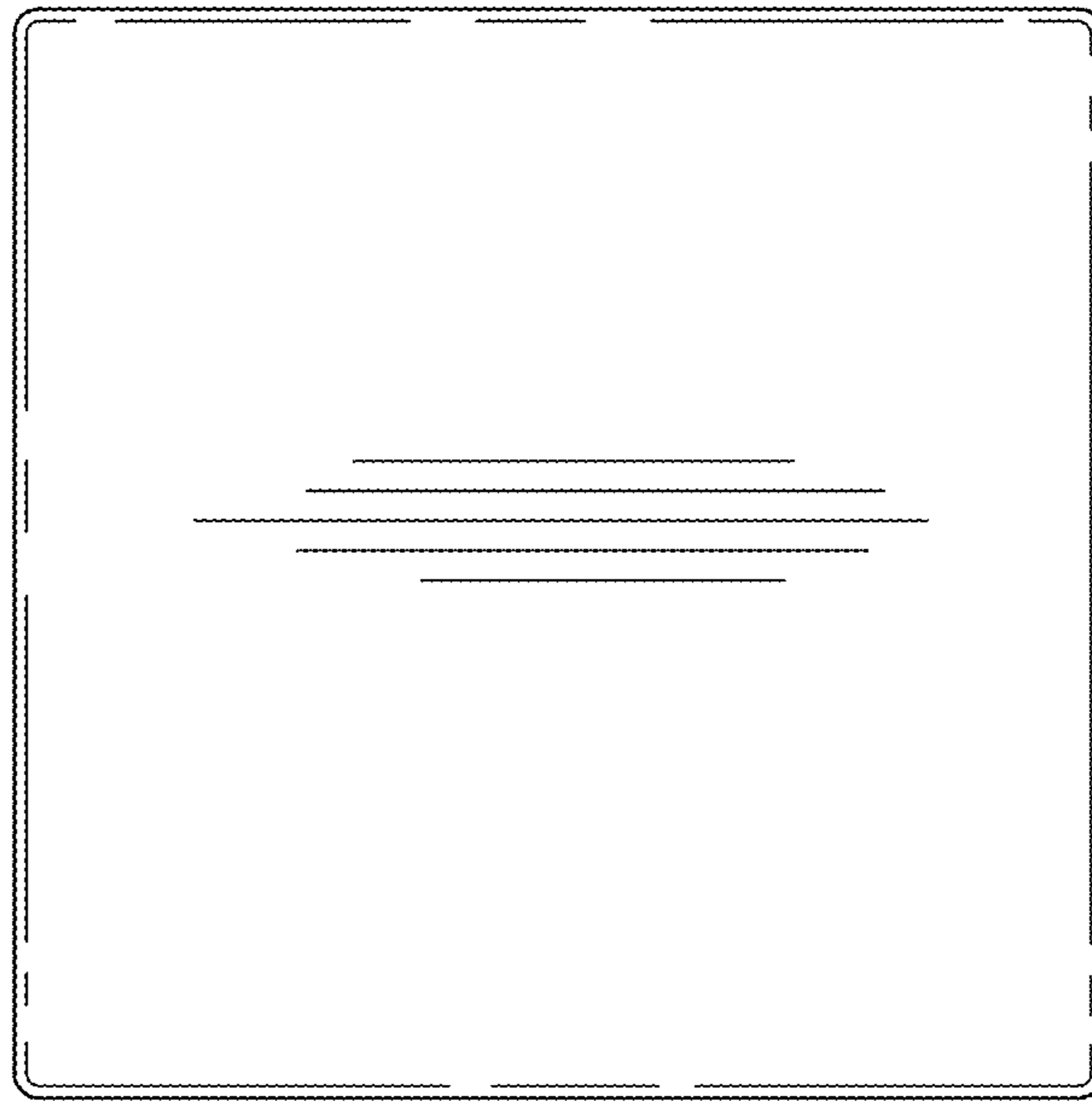


FIG. 11

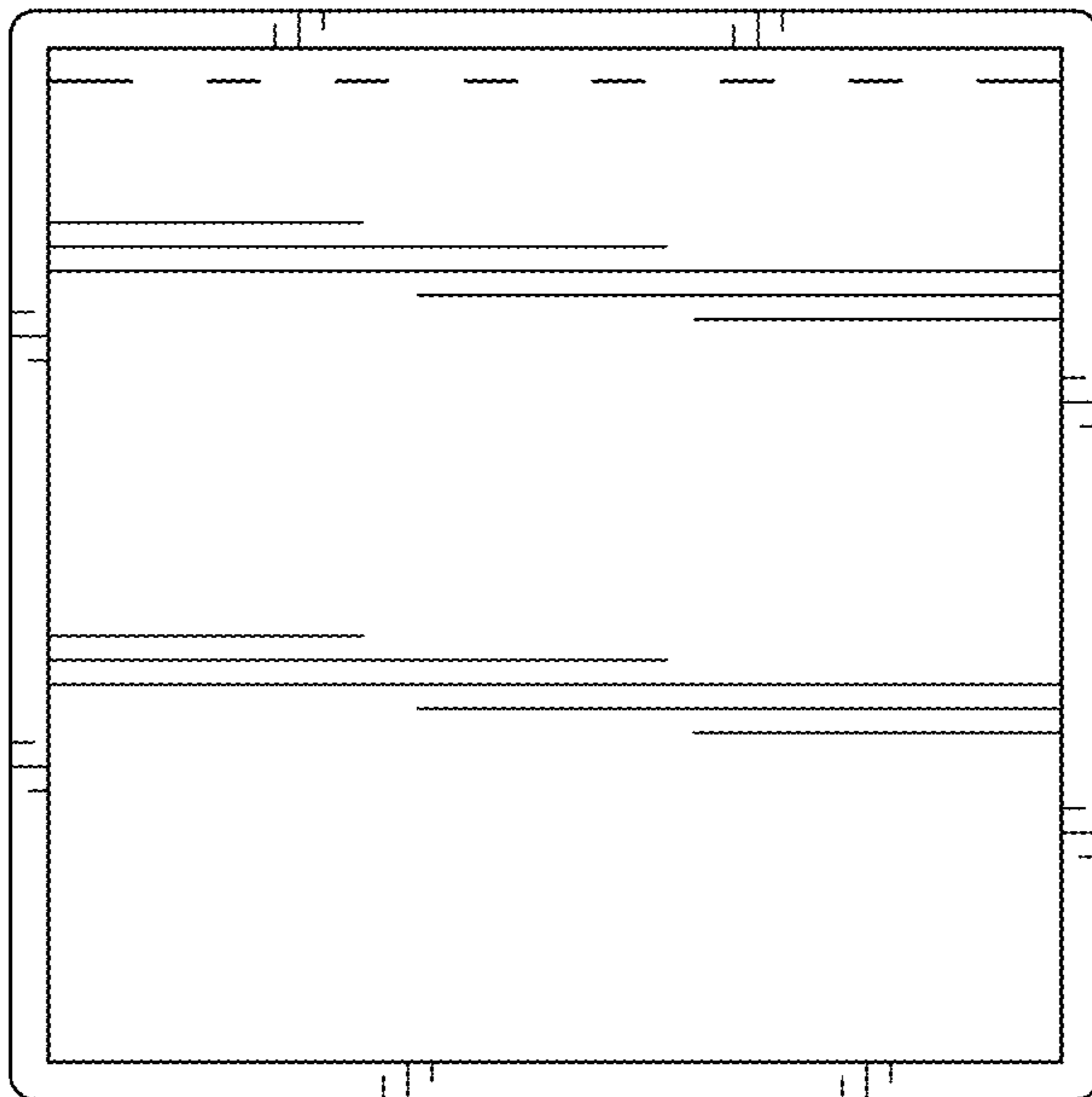


FIG. 12

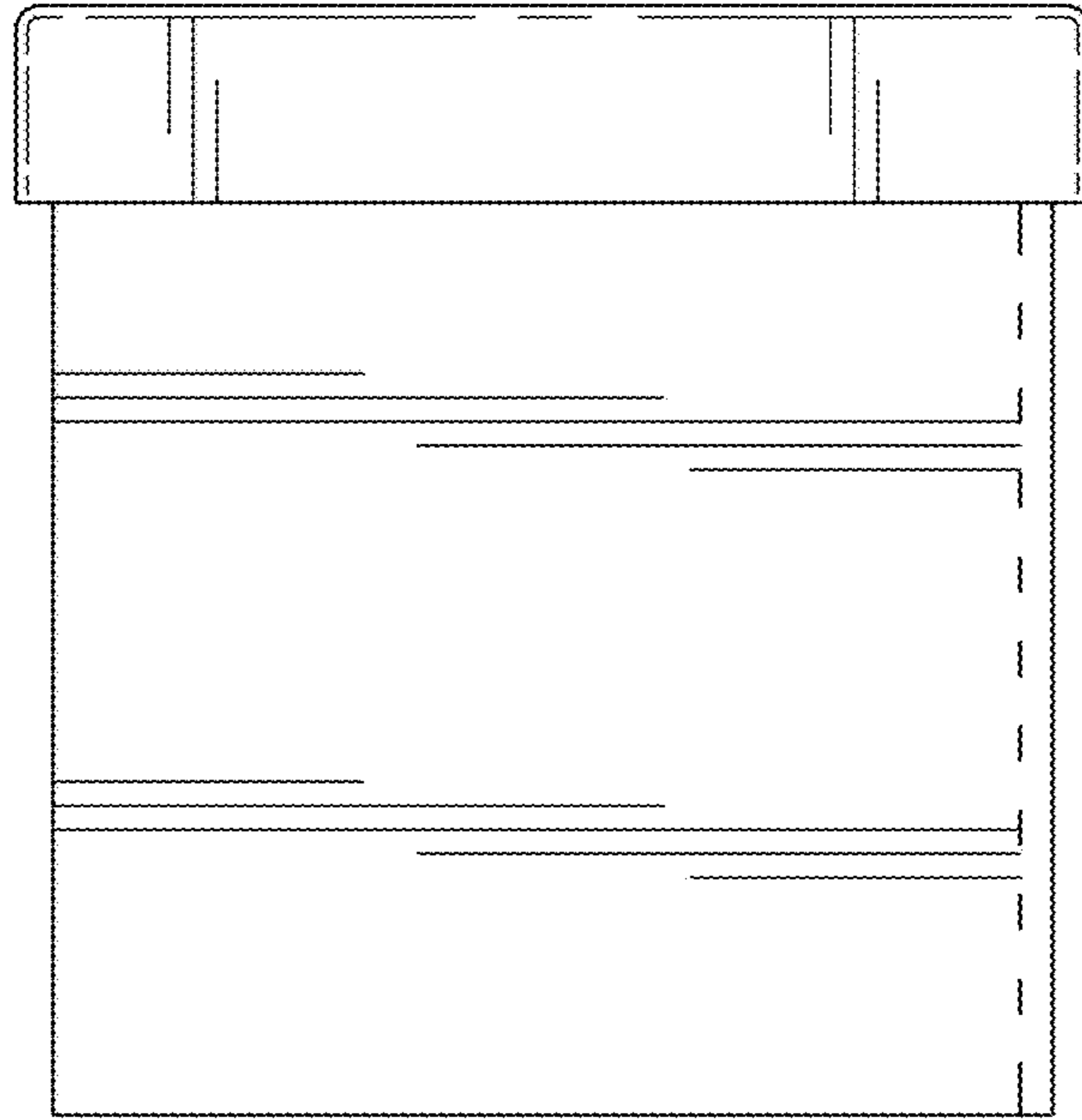


FIG. 13

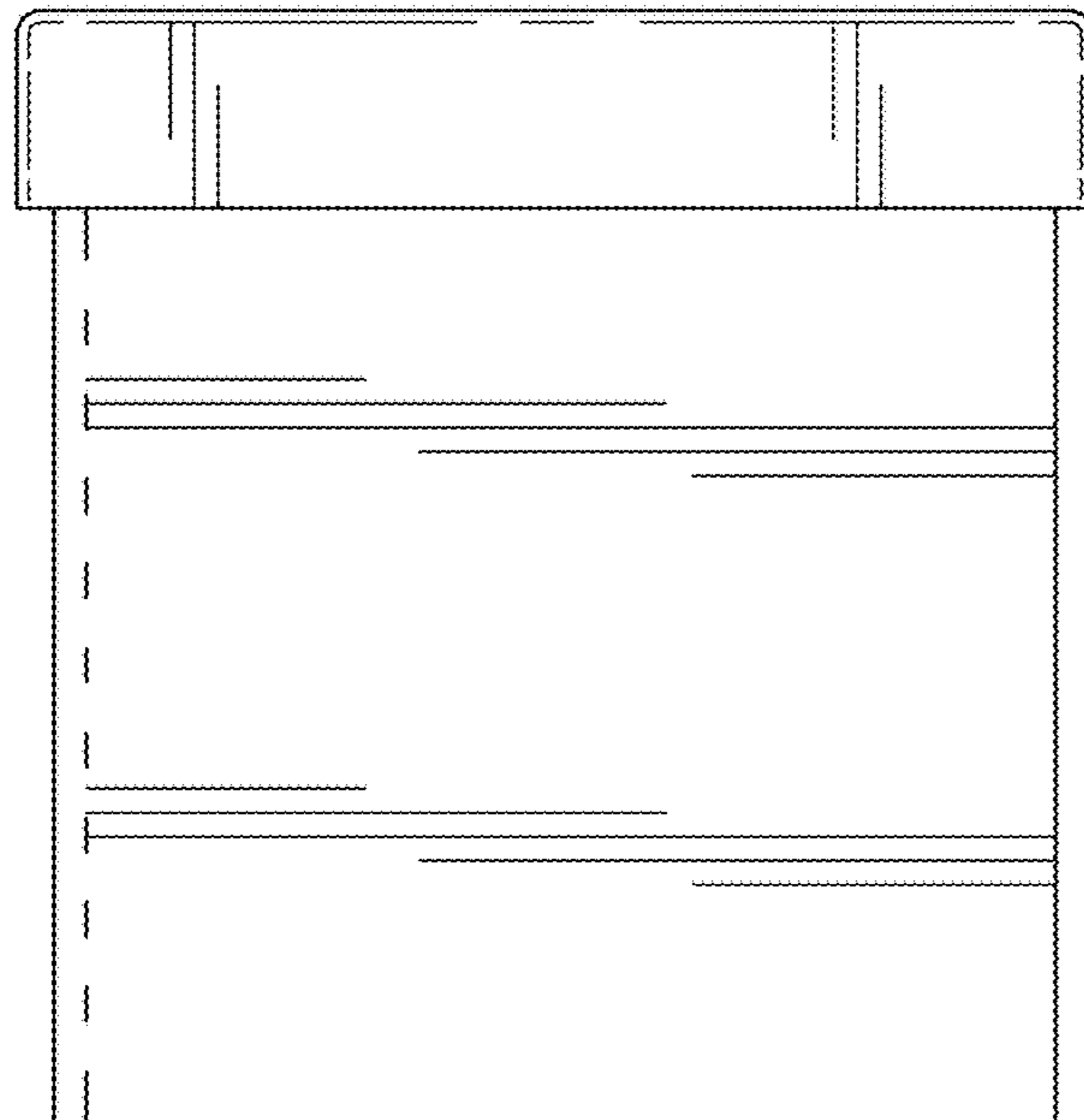


FIG. 14

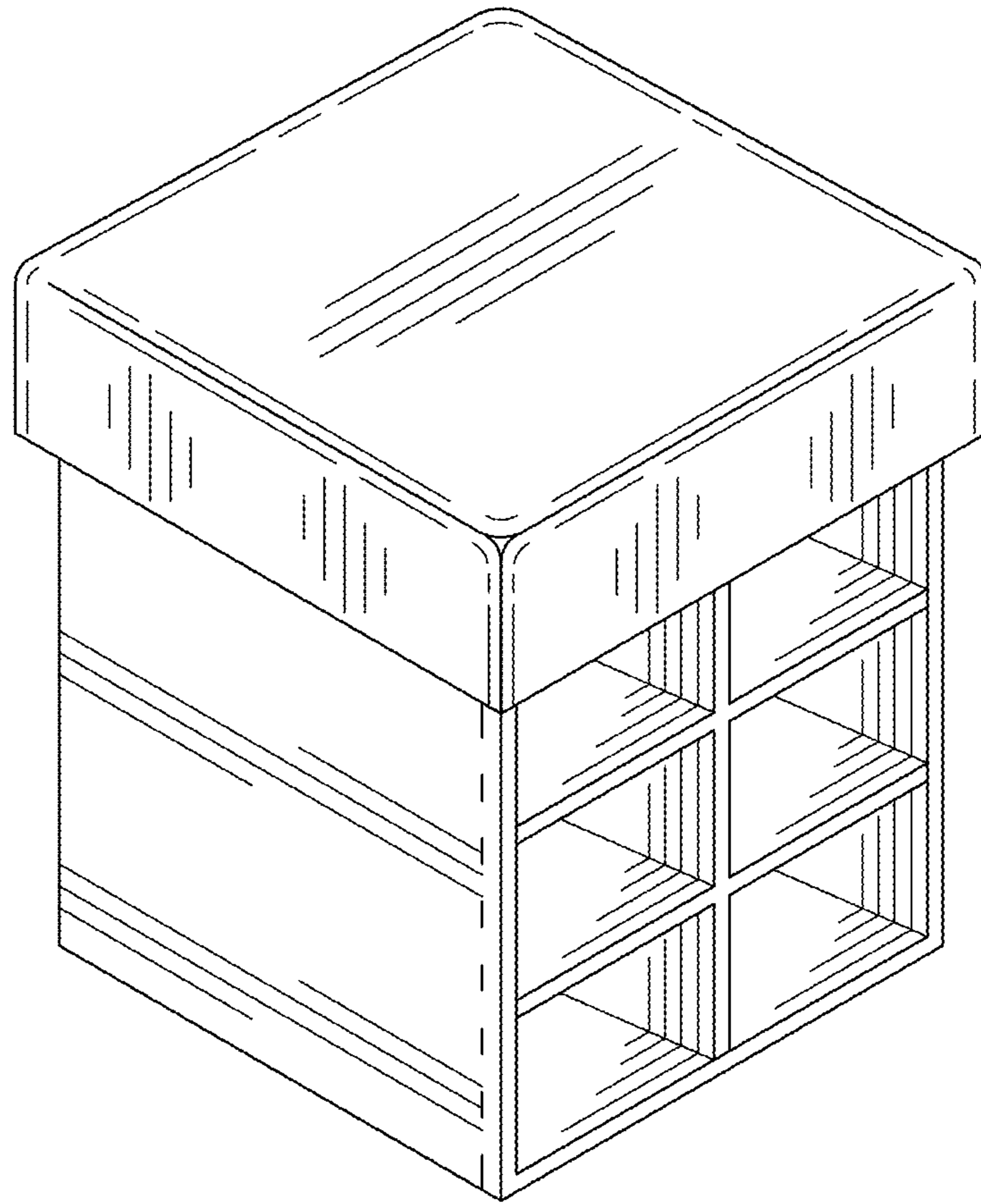


FIG. 15