



US00D811103S

(12) **United States Design Patent**
Priest

(10) **Patent No.:** **US D811,103 S**

(45) **Date of Patent:** **** Feb. 27, 2018**

(54) **WEB SWING**

(71) Applicant: **M&M Sales Enterprises Inc.,**
Dubuque, IA (US)

(72) Inventor: **John Brian Priest,** Dubuque, IA (US)

(73) Assignee: **M&M Sales Enterprises Inc.,**
Dubuque, IA (US)

(**) Term: **15 Years**

(21) Appl. No.: **29/576,862**

(22) Filed: **Sep. 7, 2016**

(51) **LOC (11) Cl.** **06-01**

(52) **U.S. Cl.**

USPC **D6/347**

(58) **Field of Classification Search**

USPC D6/344, 347, 368, 369, 379, 380, 385,
D6/386, 389, 390, 630, 675.2, 675.5,
D6/676.2, 676.5, 677, 680.3, 697.1,
D6/717.2, 709.19, 707.2, 705.6, 703.3;
D21/797

CPC A47C 3/0255; A47C 4/24; A47C 5/02;
A45F 3/26

See application file for complete search history.

D791,260 S * 7/2017 Ho D21/797
2011/0043003 A1* 2/2011 Akkad A47C 4/24
297/16.1
2015/0335136 A1* 11/2015 Wehner A45F 3/26
297/273

OTHER PUBLICATIONS

“M&M Sales Enterprises Web Riderz Snowflurry Swing” Aug. 20, 2015, homedepot.com, site visited Sep. 14, 2017 <<http://www.homedepot.com/b/Playsets-Recreation-Parks-Playsets-Playhouses-Playsets-Swing-Sets/M-M-Sales-Enterprises/N-5yc1vZc5p2Zebz>> (Year: 2015).*

“40” Wide Tree Net Swing Outdoor Spider Web Swing Children’s Net Swing Detachable” Aug. 21, 2015, site visited Sep. 14, 2017 <<https://www.amazon.com/Swing-Outdoor-Spider-Childrens-Detachable/dp/B01DF1T8GC>> (Year: 2015).*

Web images from Google Search for “Web Swing” on Sep. 7, 2016.

* cited by examiner

Primary Examiner — Kevin K Rudzinski

Assistant Examiner — Paul D Bohannon

(74) *Attorney, Agent, or Firm* — Rathe Lindenbaum LLP

(57)

CLAIM

I claim the ornamental design for a web swing, as shown and described.

DESCRIPTION

FIG. 1 is a top perspective view of a web swing;

FIG. 2 is a top view thereof;

FIG. 3 is a bottom view thereof;

FIG. 4 is a front view thereof;

FIG. 5 is a rear view thereof;

FIG. 6 is a left side thereof;

FIG. 7 is a right side view thereof; and,

FIG. 8 is a perspective view of the web swing of FIG. 1 shown at a reduced scale.

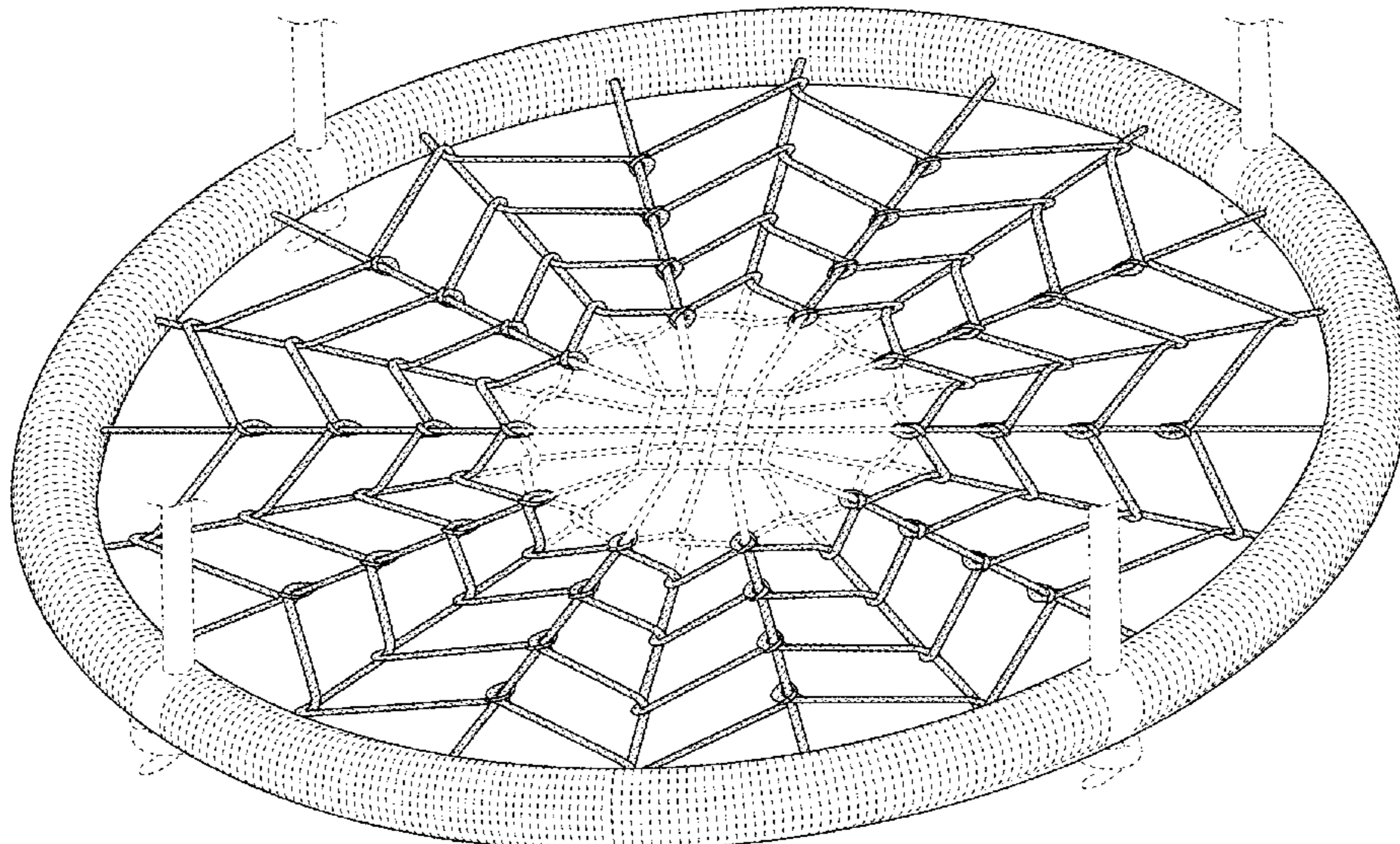
The ornamental design which is claimed is shown in solid lines in the drawings. The broken lines in the drawings form no part of the claimed design.

1 Claim, 5 Drawing Sheets

(56) **References Cited**

U.S. PATENT DOCUMENTS

- 1,216,878 A * 2/1917 Stormo A47C 3/0255
297/273
- 4,002,368 A * 1/1977 Ortize A47C 3/0255
297/273
- D336,378 S * 6/1993 Kittridge D6/344
- D414,045 S * 9/1999 Morrow D6/347
- D661,360 S * 6/2012 Campanaro D21/797
- D710,120 S * 8/2014 Tseng D6/368
- D711,151 S * 8/2014 Christakos D6/368
- D718,546 S * 12/2014 Christakos D6/368
- D718,547 S * 12/2014 Christakos D6/368
- D737,587 S * 9/2015 Akkad D6/368
- D738,637 S * 9/2015 Dean D6/347



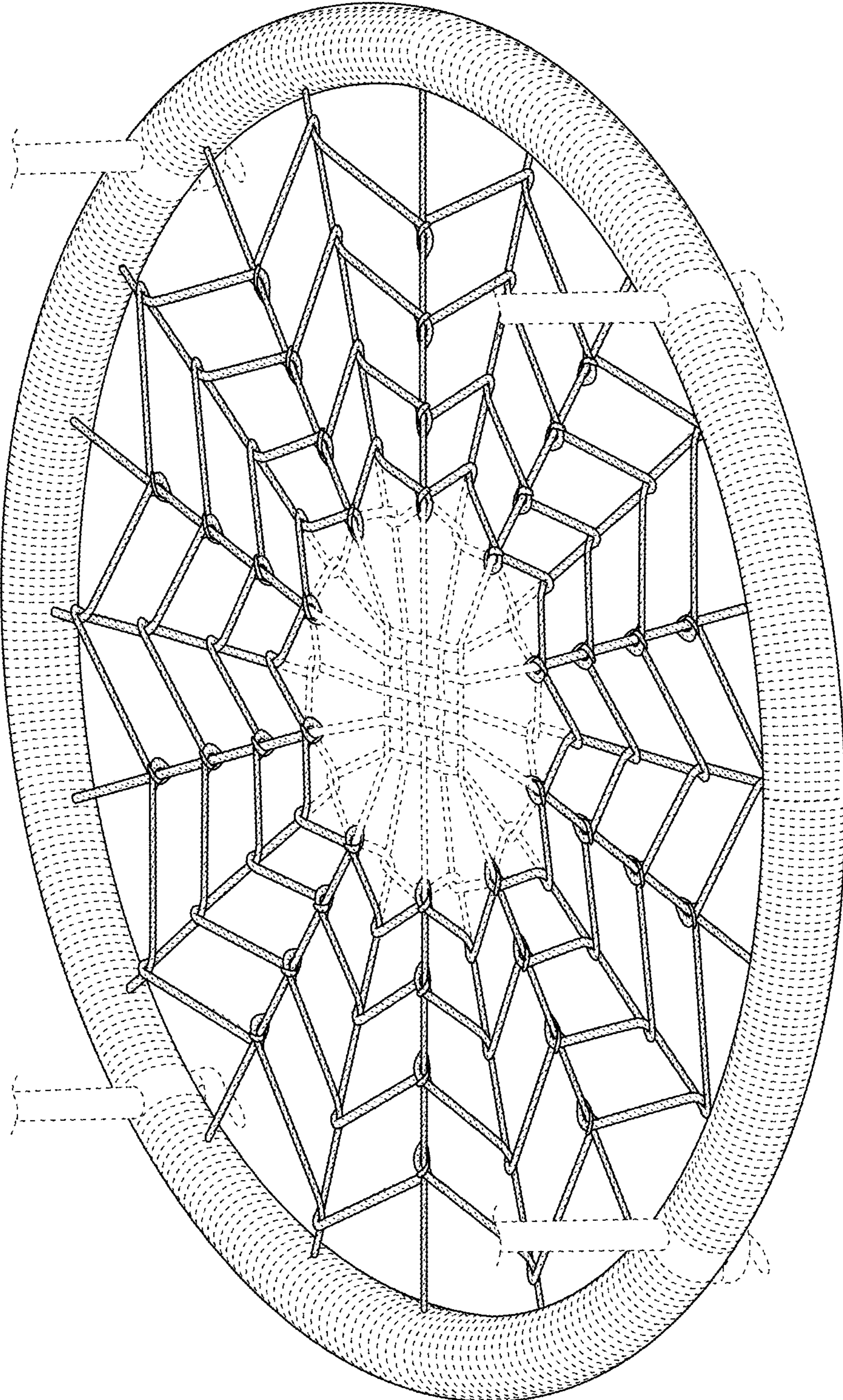


FIG. 1

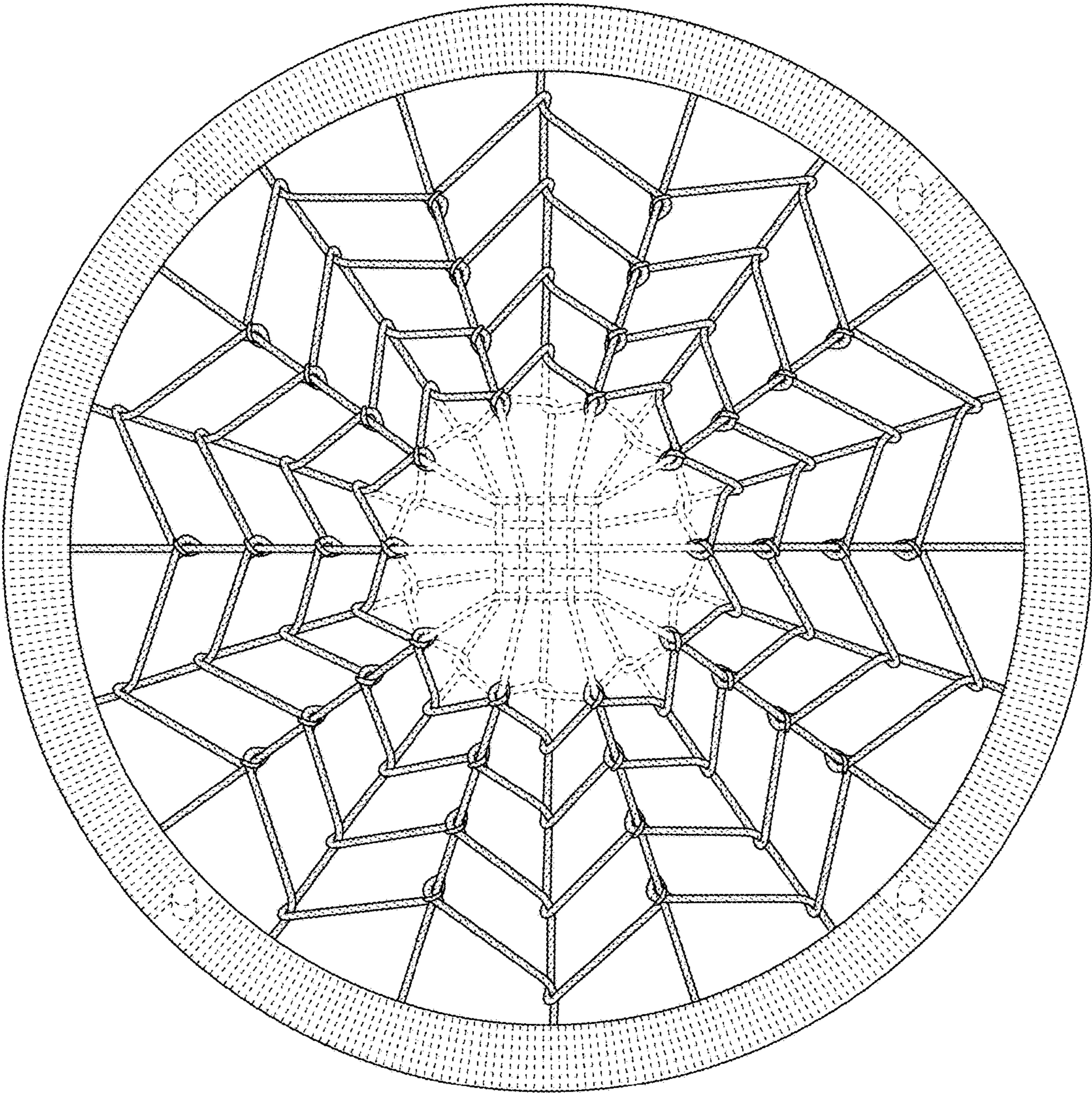


FIG. 2

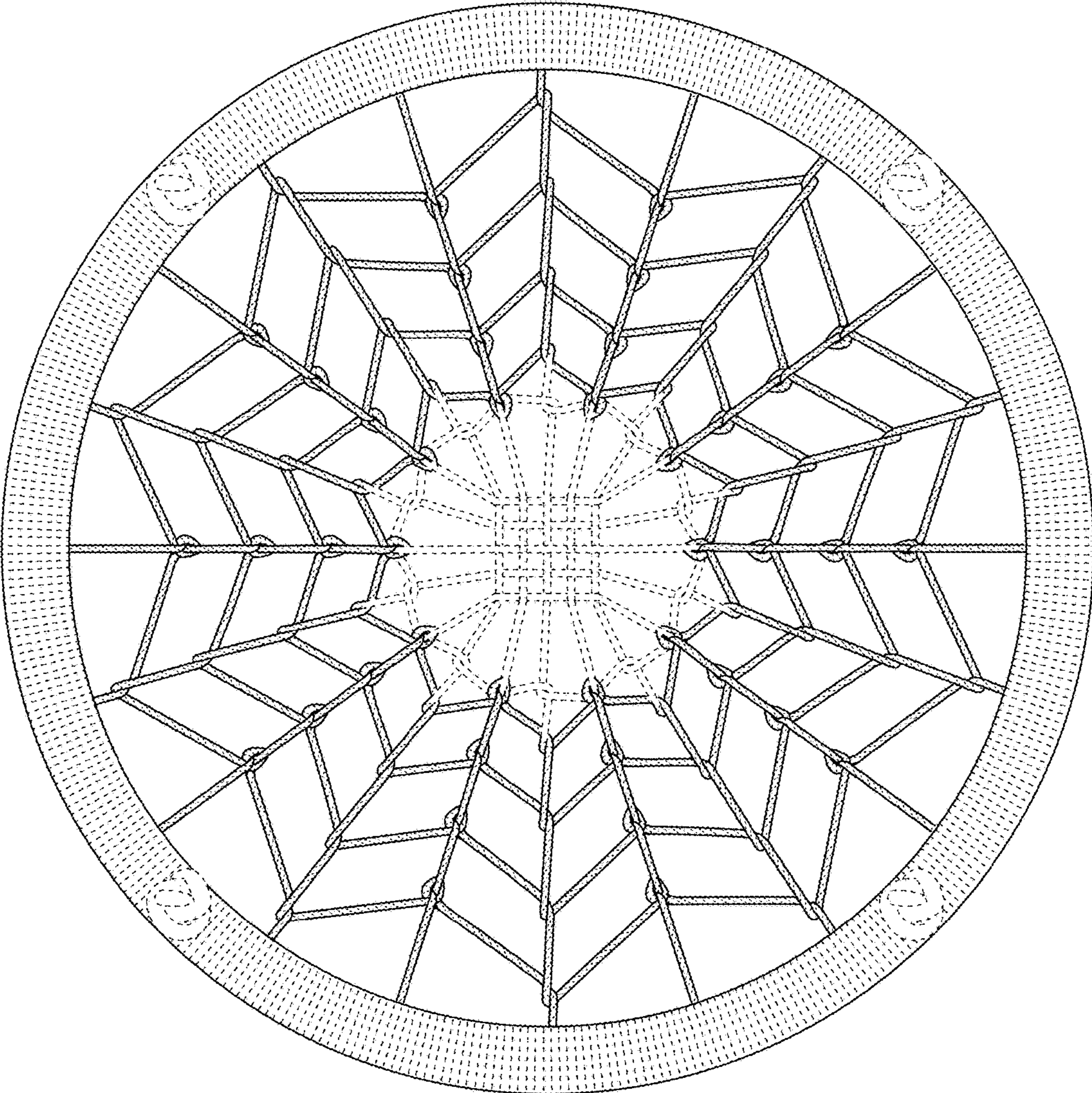


FIG. 3

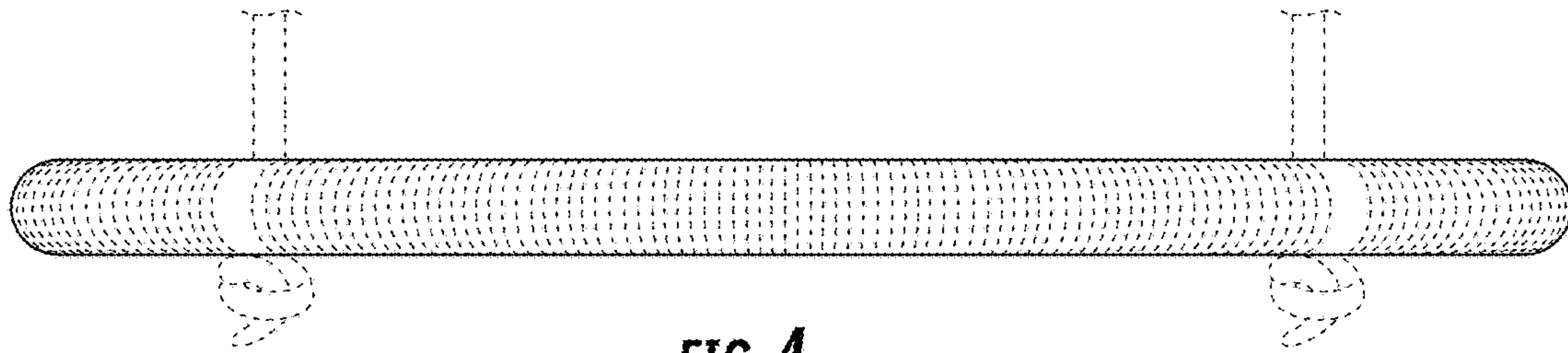


FIG. 4

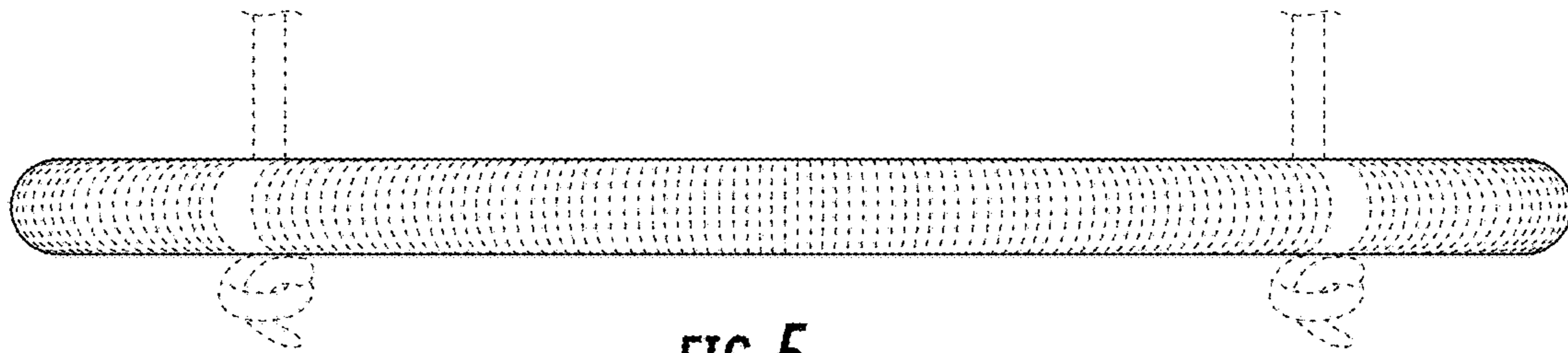


FIG. 5

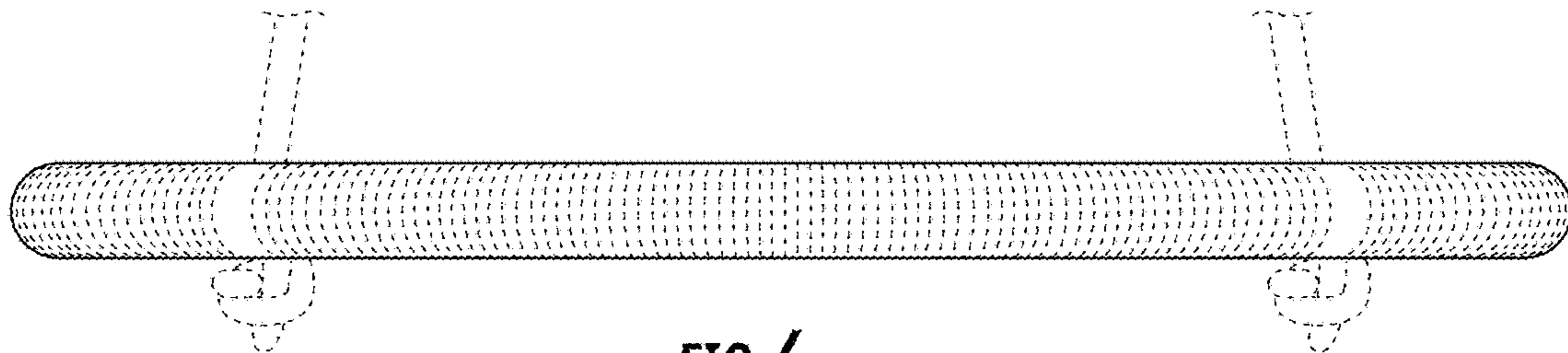


FIG. 6

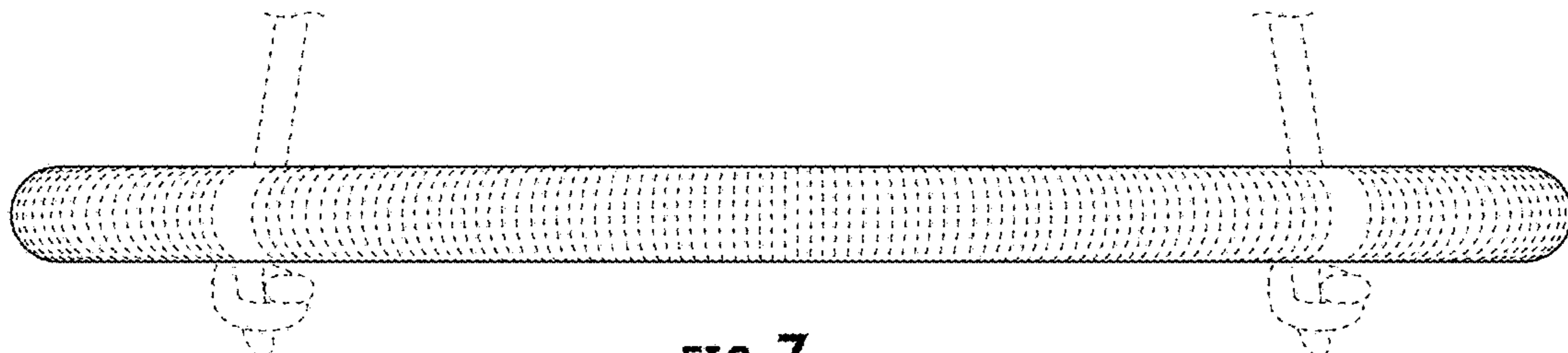


FIG. 7

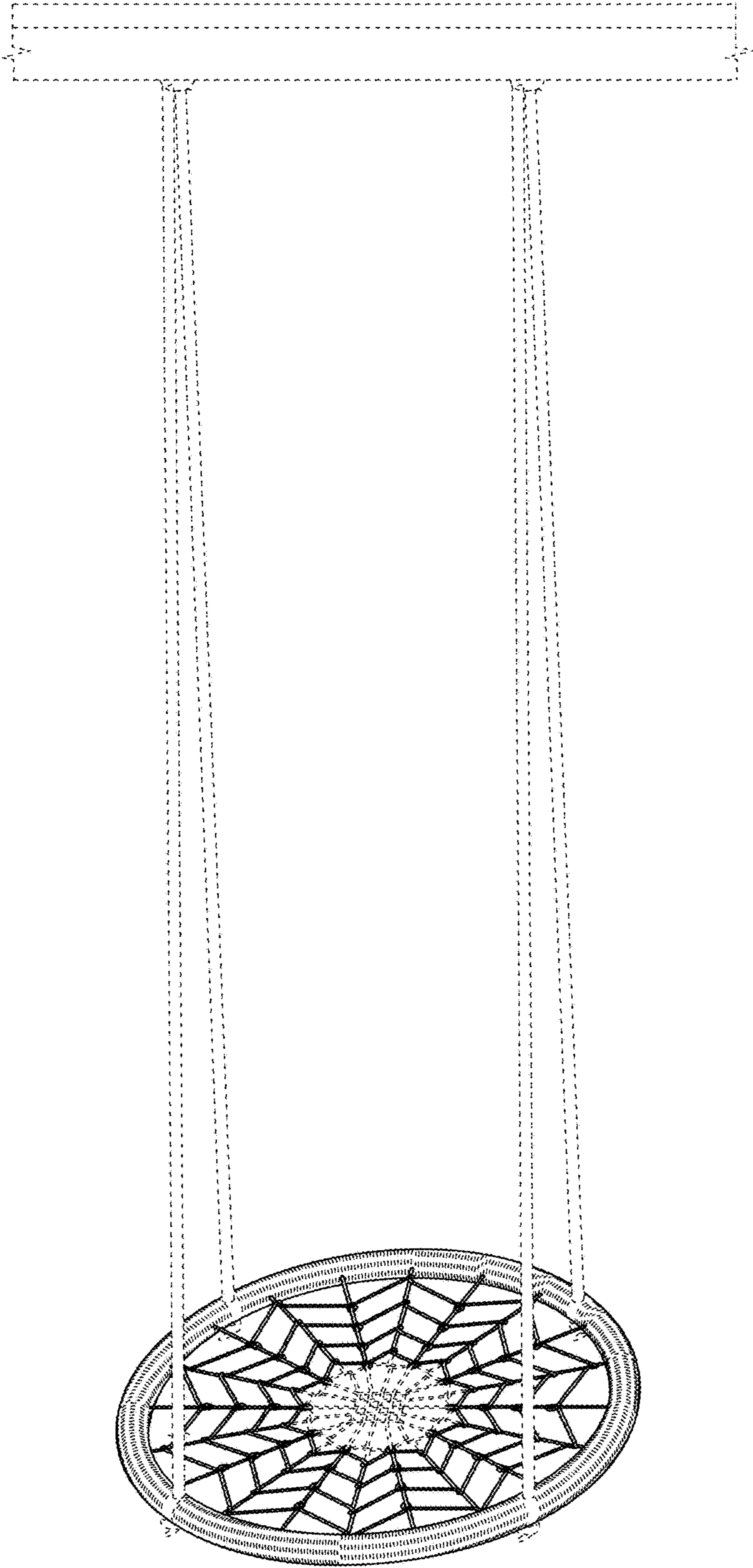


FIG. 8