



US00D811102S

(12) **United States Design Patent** (10) **Patent No.:** **US D811,102 S**
Lee (45) **Date of Patent:** **** Feb. 27, 2018**

(54) **GLIDER**
(71) Applicant: **JBL INTERNATIONAL, INC,**
Houston, TX (US)
(72) Inventor: **Lawrence K. Lee,** Houston, TX (US)
(73) Assignee: **JBL INTERNATIONAL, INC,**
Houston, TX (US)

D473,725 S * 4/2003 Noll D6/344
D474,038 S * 5/2003 Noll D6/344
D475,540 S * 6/2003 Pomeroy D6/344
D477,468 S * 7/2003 Noll D6/344
D489,910 S * 5/2004 Noll D6/344
D492,852 S * 7/2004 Pomeroy D6/344
6,877,810 B2 * 4/2005 Haney A47C 3/0255
297/281
D524,561 S * 7/2006 Pomeroy D6/344
D525,441 S * 7/2006 Pomeroy D6/336
D525,442 S * 7/2006 Pomeroy D6/344

(**) Term: **15 Years**

OTHER PUBLICATIONS

(21) Appl. No.: **29/567,588**
(22) Filed: **Jun. 10, 2016**
(51) **LOC (11) Cl.** **06-01**
(52) **U.S. Cl.**
USPC **D6/344; D6/381**
(58) **Field of Classification Search**
CPC A47C 7/00; A47C 7/62; A47C 7/18; A47C
7/54; A47C 4/00; A47C 4/028; A47C
4/28; A47C 3/16; A47C 3/04; A47C 3/12;
A47C 1/02; A47C 1/14
See application file for complete search history.

Country Garden Collection Sell Sheet. Jack-Post Corporation, dated Mar. 27, 2013, available at <<http://www.jack-post.com/wp-content/uploads/2013/10/Country-Garden-Collection-Sell-Sheet-R7-20-Print-Ready.pdf>>.

* cited by examiner

Primary Examiner — Deanna L Pratt
(74) *Attorney, Agent, or Firm* — Egbert Law Offices, PLLC

(56) **References Cited**

U.S. PATENT DOCUMENTS

D325,823 S * 5/1992 Pomeroy D6/335
D400,720 S * 11/1998 Pomeroy D6/344
D410,340 S * 6/1999 Pomeroy D6/344
D423,801 S * 5/2000 Noll D6/344
D434,573 S * 12/2000 Noll D6/344
6,199,950 B1 * 3/2001 Noll A47C 3/0255
297/273
D443,425 S * 6/2001 Pomeroy D6/344
D444,635 S * 7/2001 Noll D6/344
D449,472 S * 10/2001 Noll D6/716.2
D450,193 S * 11/2001 Pomeroy D6/344
D472,721 S * 4/2003 Haney A47C 3/0255
D6/344

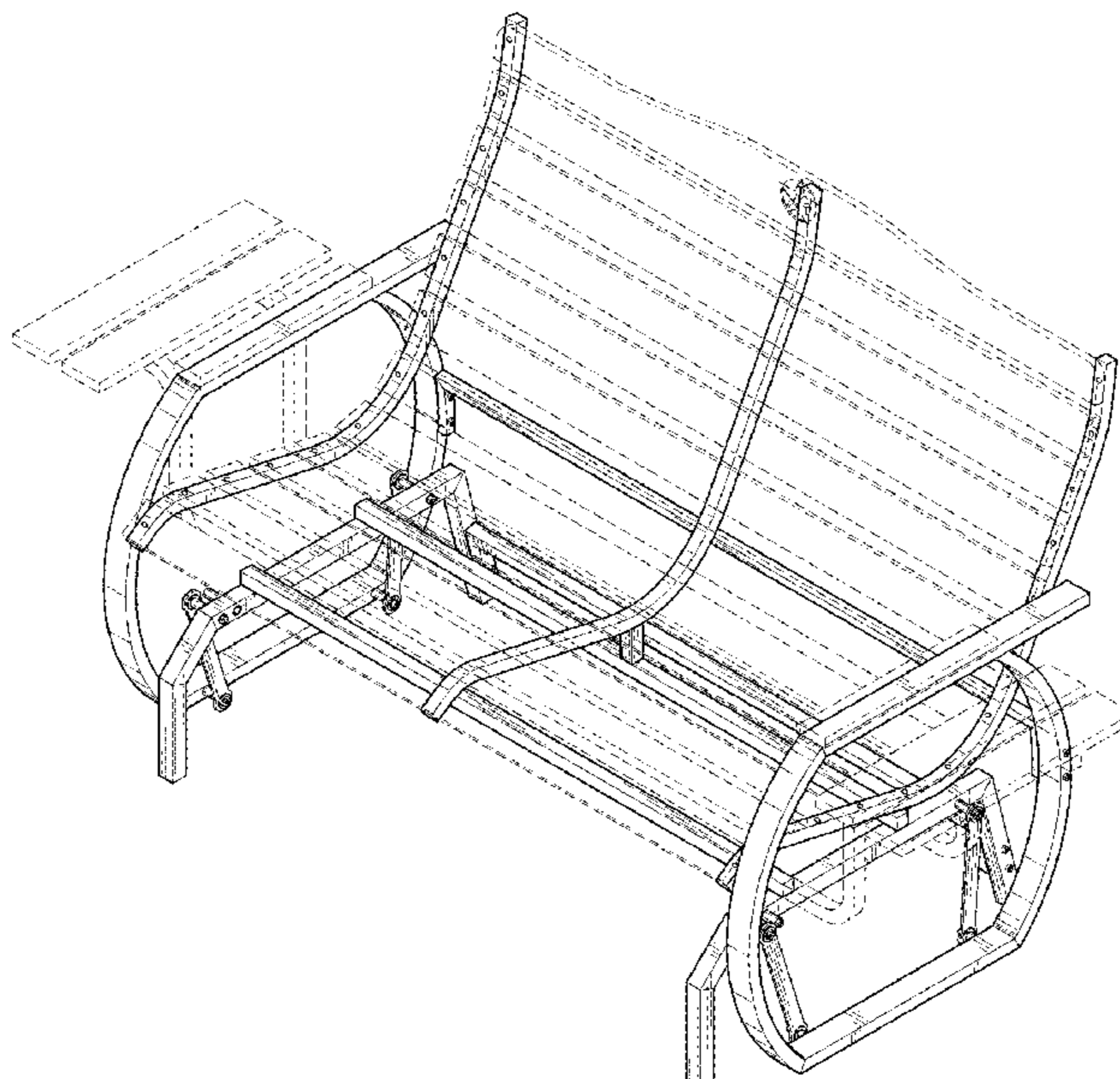
(57) **CLAIM**

The ornamental design for a glider, as shown and described.

DESCRIPTION

FIG. 1 is a perspective view of a glider showing my new design.
FIG. 2 is a front view thereof;
FIG. 3 is a rear view thereof;
FIG. 4 is a side view thereof;
FIG. 5 is an opposite side view thereof;
FIG. 6 is a top view thereof; and,
FIG. 7 is a bottom view thereof.
The features presented in broken lines represent unclaimed portions of the glider and form no part of the claimed design.

1 Claim, 3 Drawing Sheets



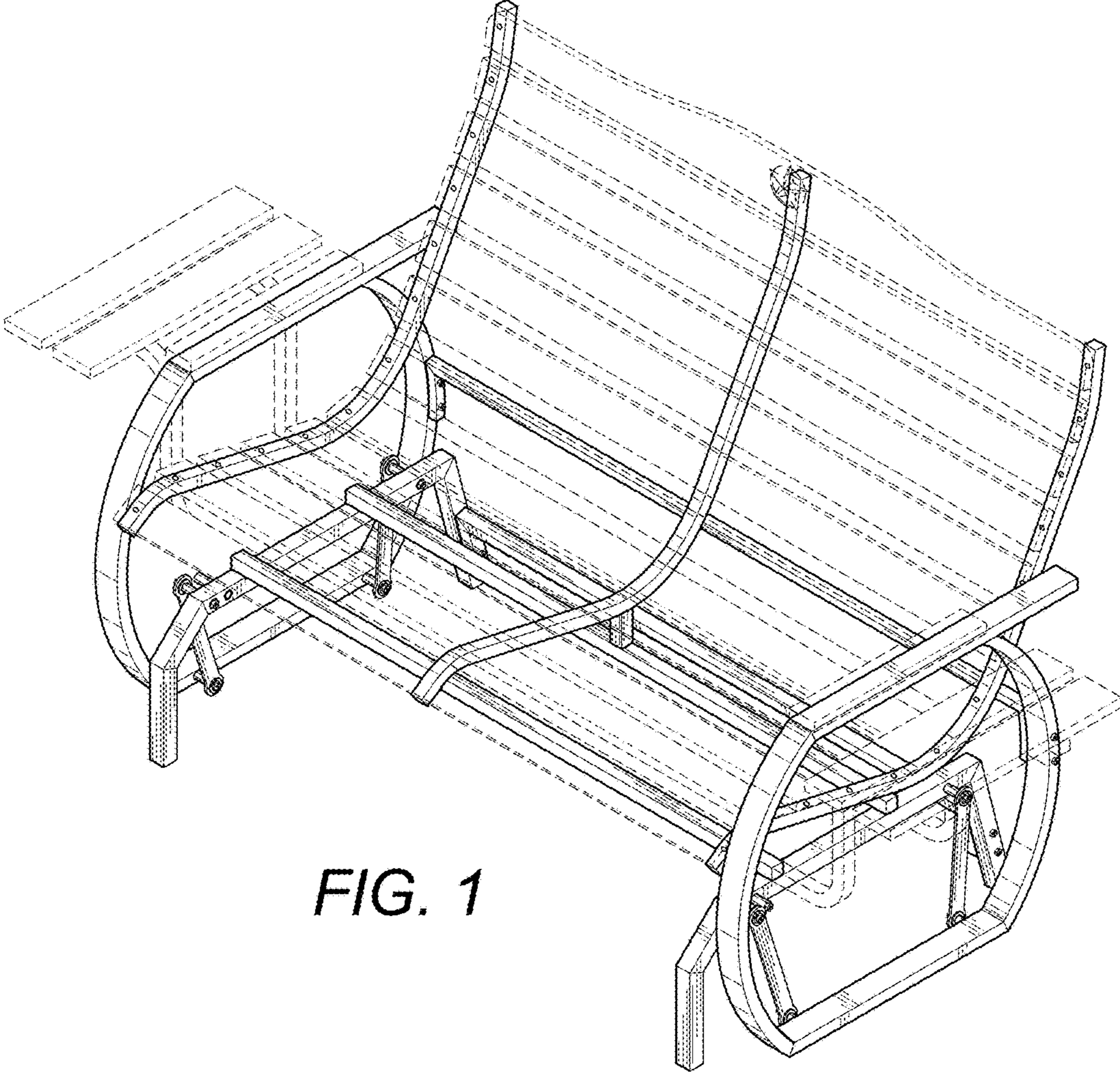


FIG. 1

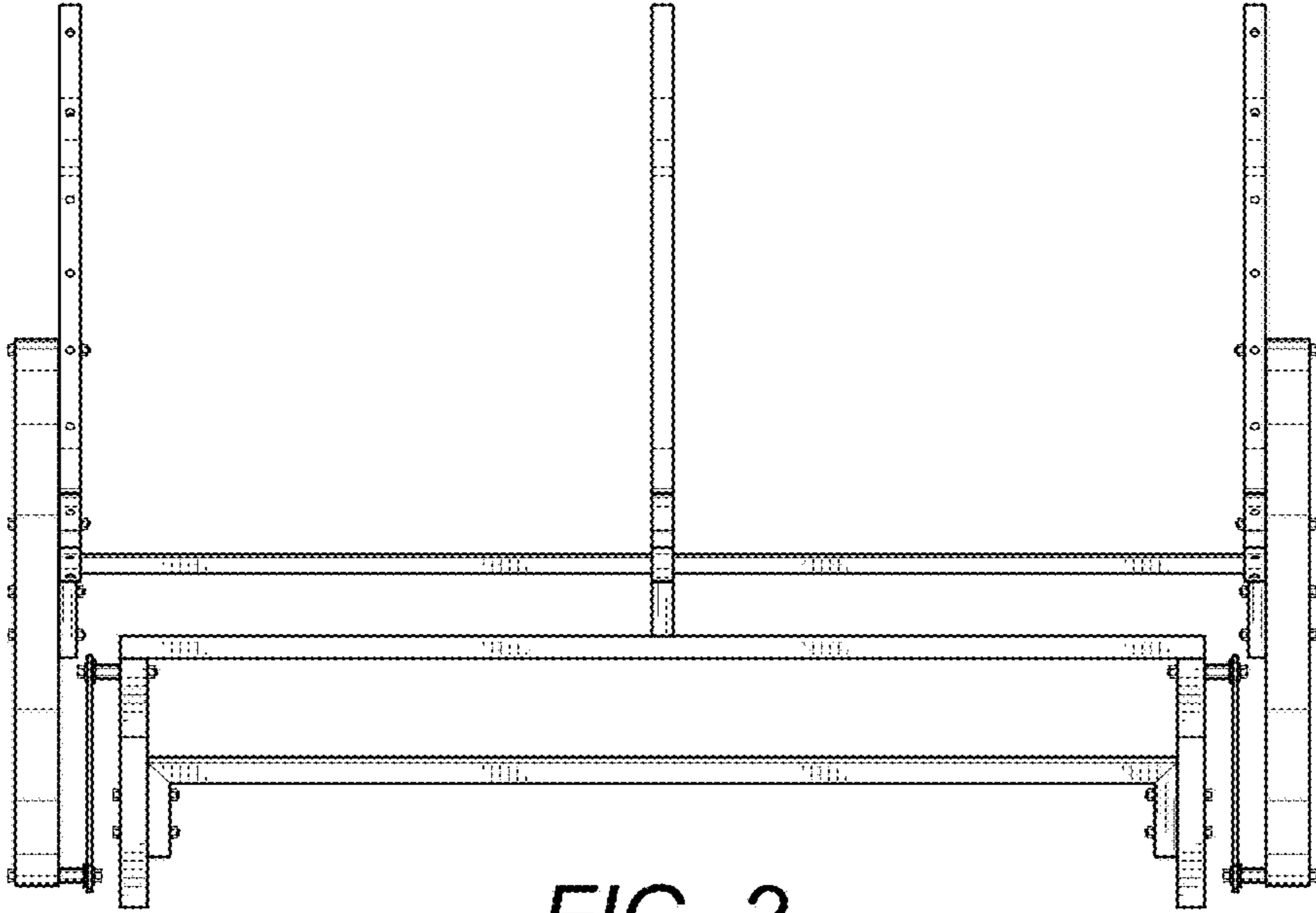


FIG. 2

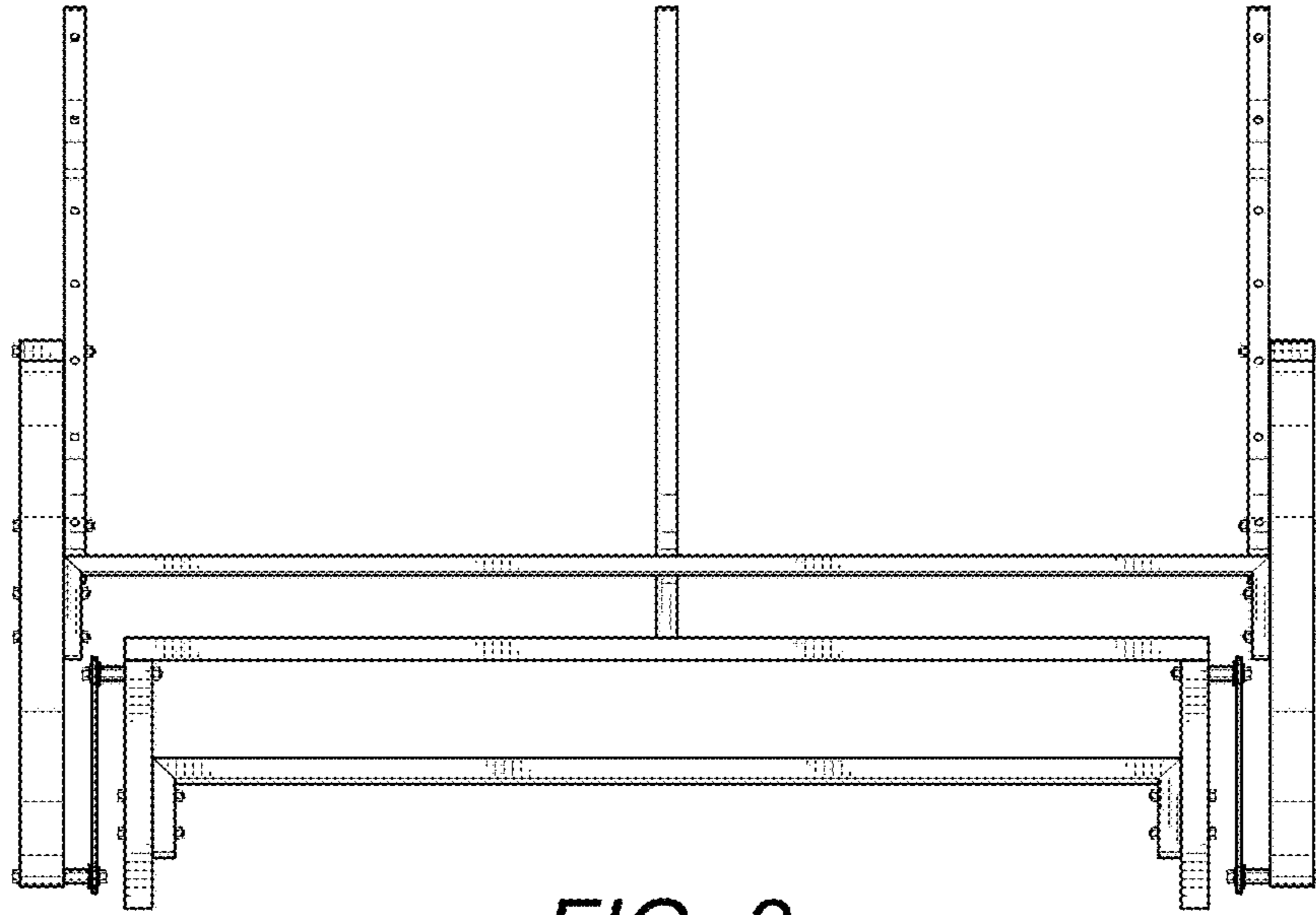


FIG. 3

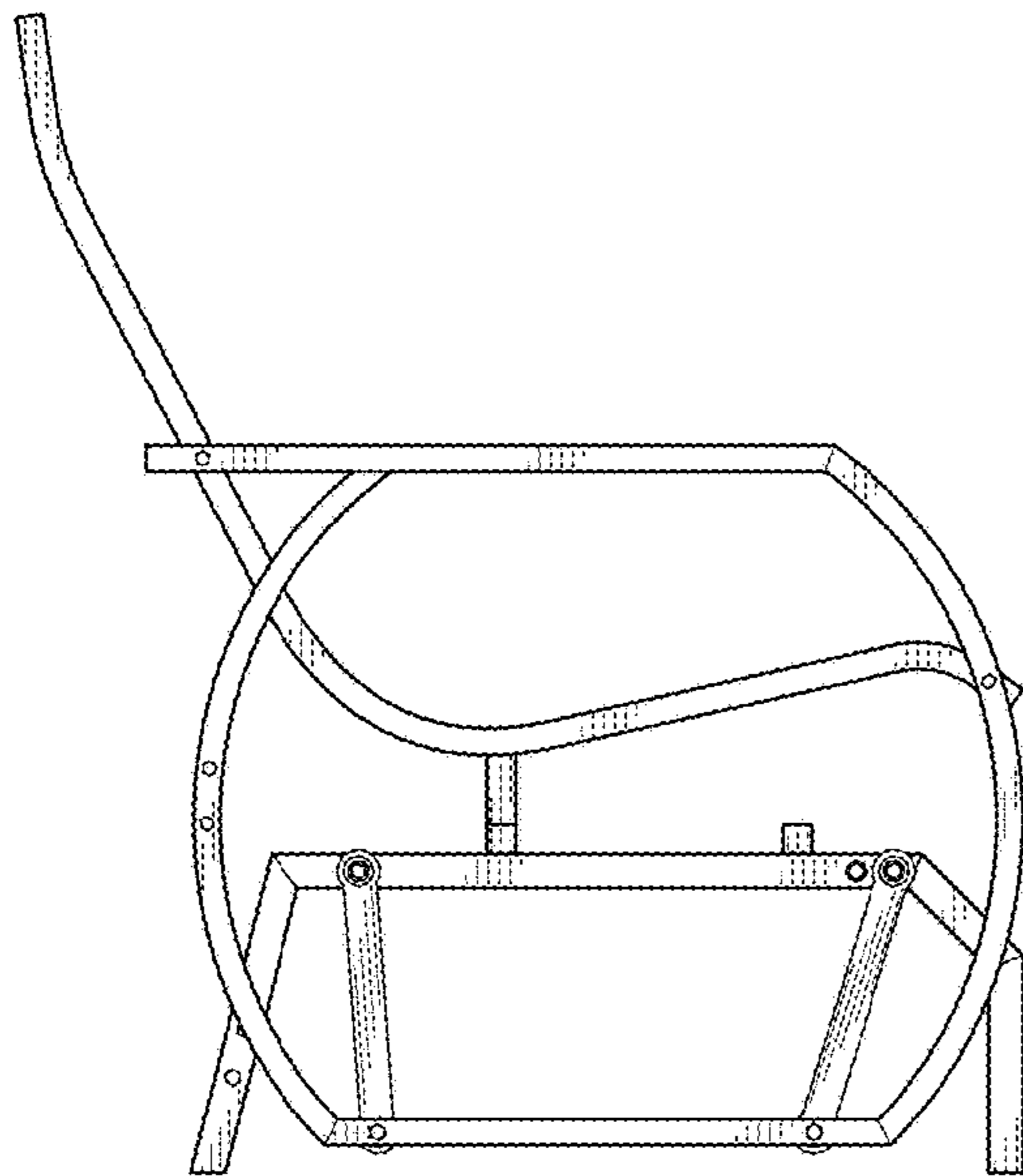


FIG. 4

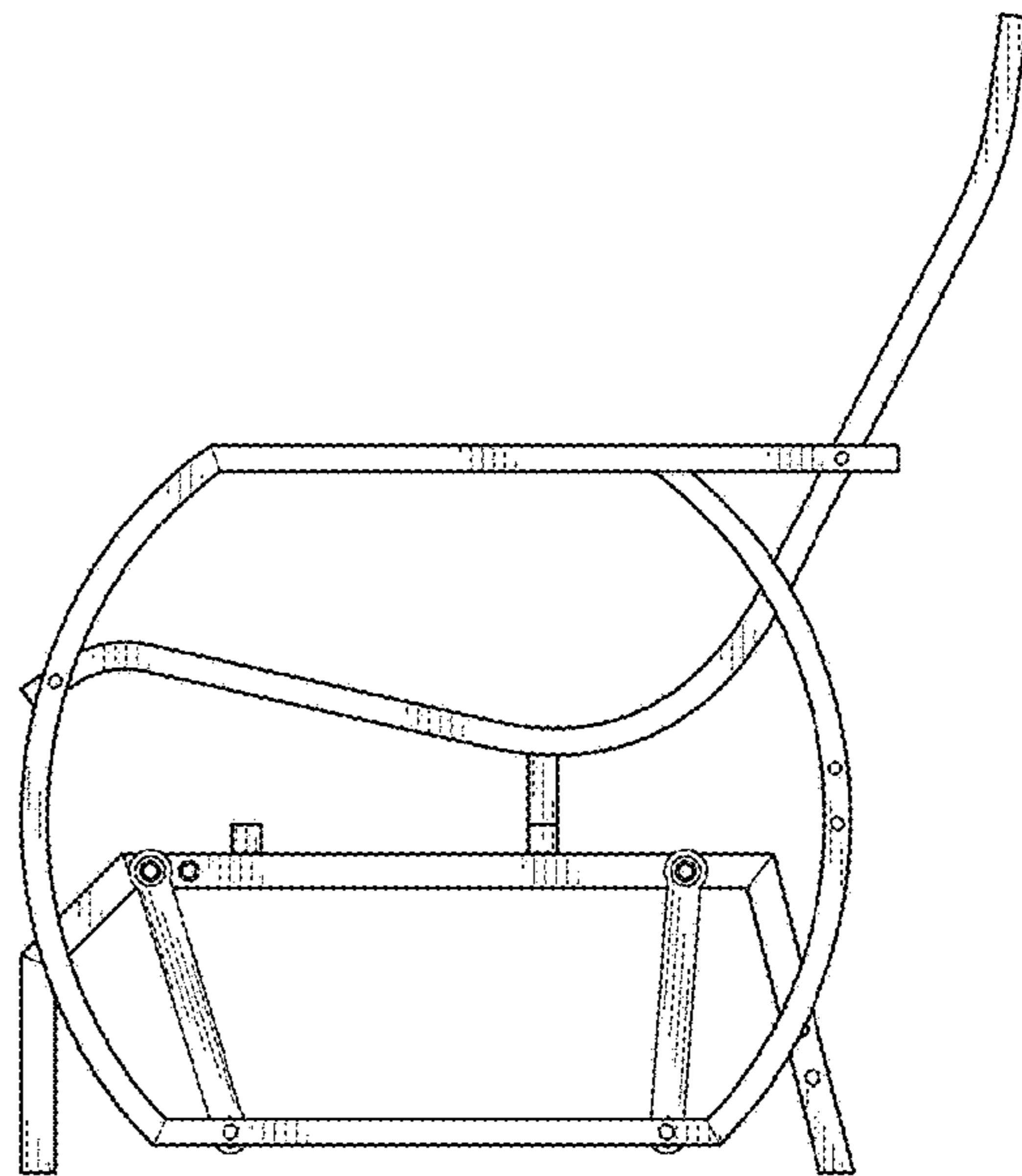


FIG. 5

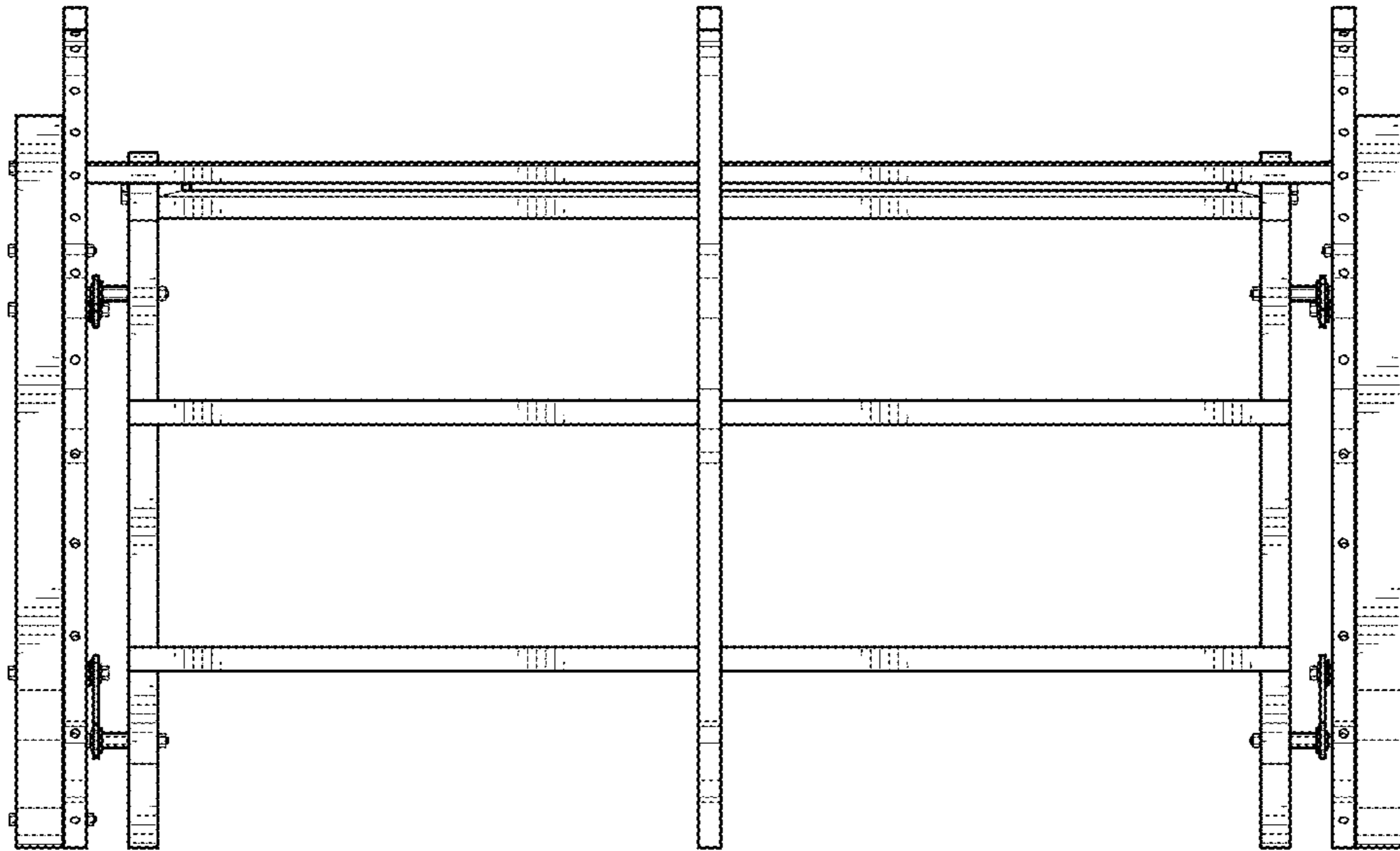


FIG. 6

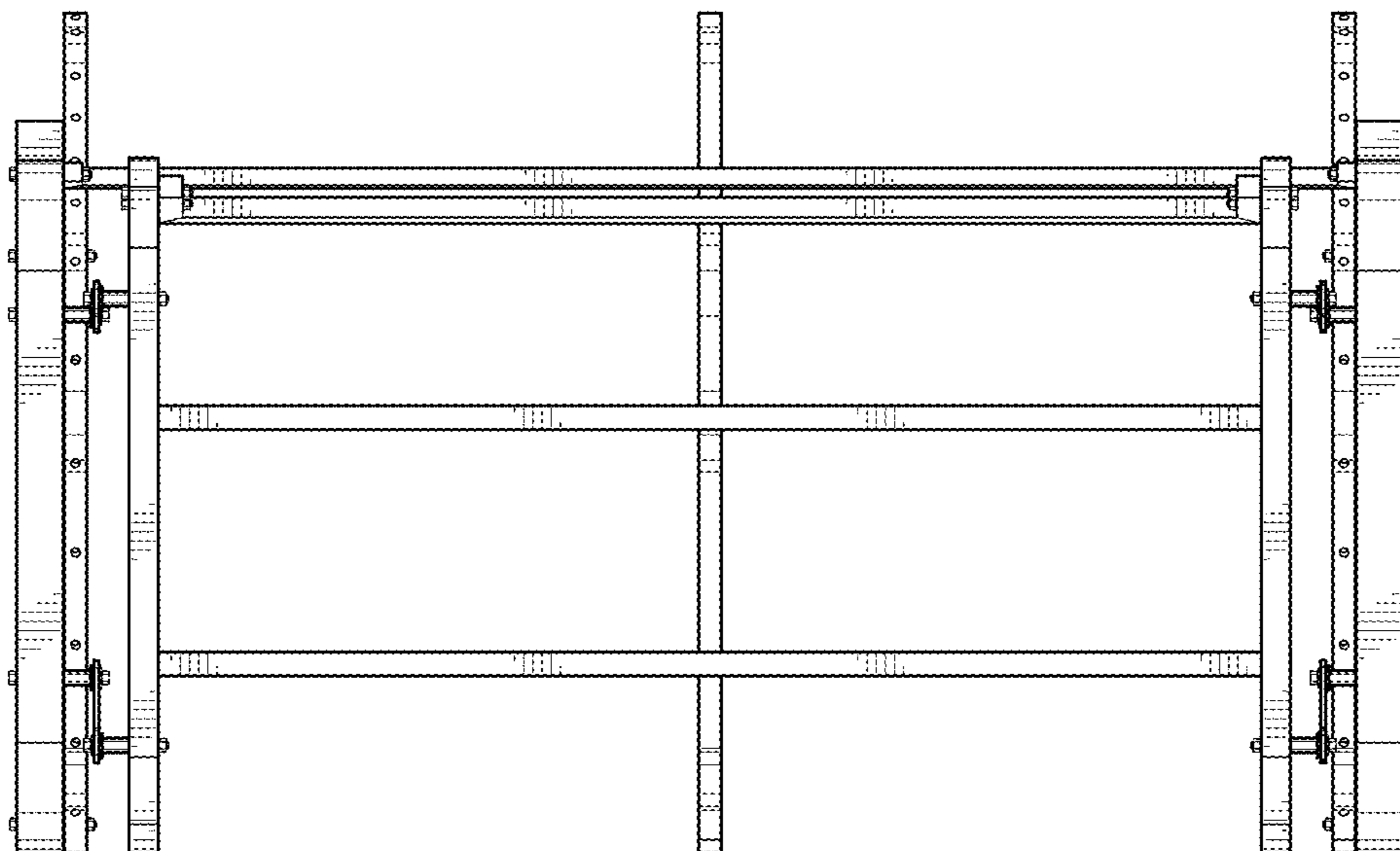


FIG. 7