



US00D811100S

(12) **United States Design Patent** (10) **Patent No.:** **US D811,100 S**  
**Andersen** (45) **Date of Patent:** **\*\* Feb. 27, 2018**

- (54) **SOFA**
- (71) Applicant: **Innovation U.S.A., Inc.**, Irvine, CA (US)
- (72) Inventor: **Per Weiss Andersen**, Randers (DK)
- (73) Assignee: **Innovation U.S.A., Inc.**, Irvine, CA (US)
- (\*\*) Term: **15 Years**
- (21) Appl. No.: **29/563,683**
- (22) Filed: **May 6, 2016**
- (30) **Foreign Application Priority Data**  
Nov. 6, 2015 (CN) ..... 2015 3 04405888
- (51) **LOC (11) Cl.** ..... **06-01**
- (52) **U.S. Cl.**  
USPC ..... **D6/335; D6/381**
- (58) **Field of Classification Search**  
USPC ..... D6/334, 335, 336, 338, 342, 360, 367, D6/368, 369, 371-375, 377, 378, 381  
CPC ..... A47D 11/005; A47C 4/02; A47C 17/04; A47C 17/045; A47C 17/12; A47C 17/13; A47C 17/16; A47C 17/22; A47C 17/32  
See application file for complete search history.

- (56) **References Cited**  
**U.S. PATENT DOCUMENTS**  
D164,563 S \* 9/1951 Fouts ..... D6/349  
D266,715 S \* 11/1982 Tiffany, III ..... D6/361  
D490,996 S 6/2004 Weiss et al.  
D569,648 S 5/2008 Weiss  
D575,545 S 8/2008 Weiss  
D583,585 S 12/2008 Weiss  
D591,071 S 4/2009 Weiss  
D591,970 S 5/2009 Weiss

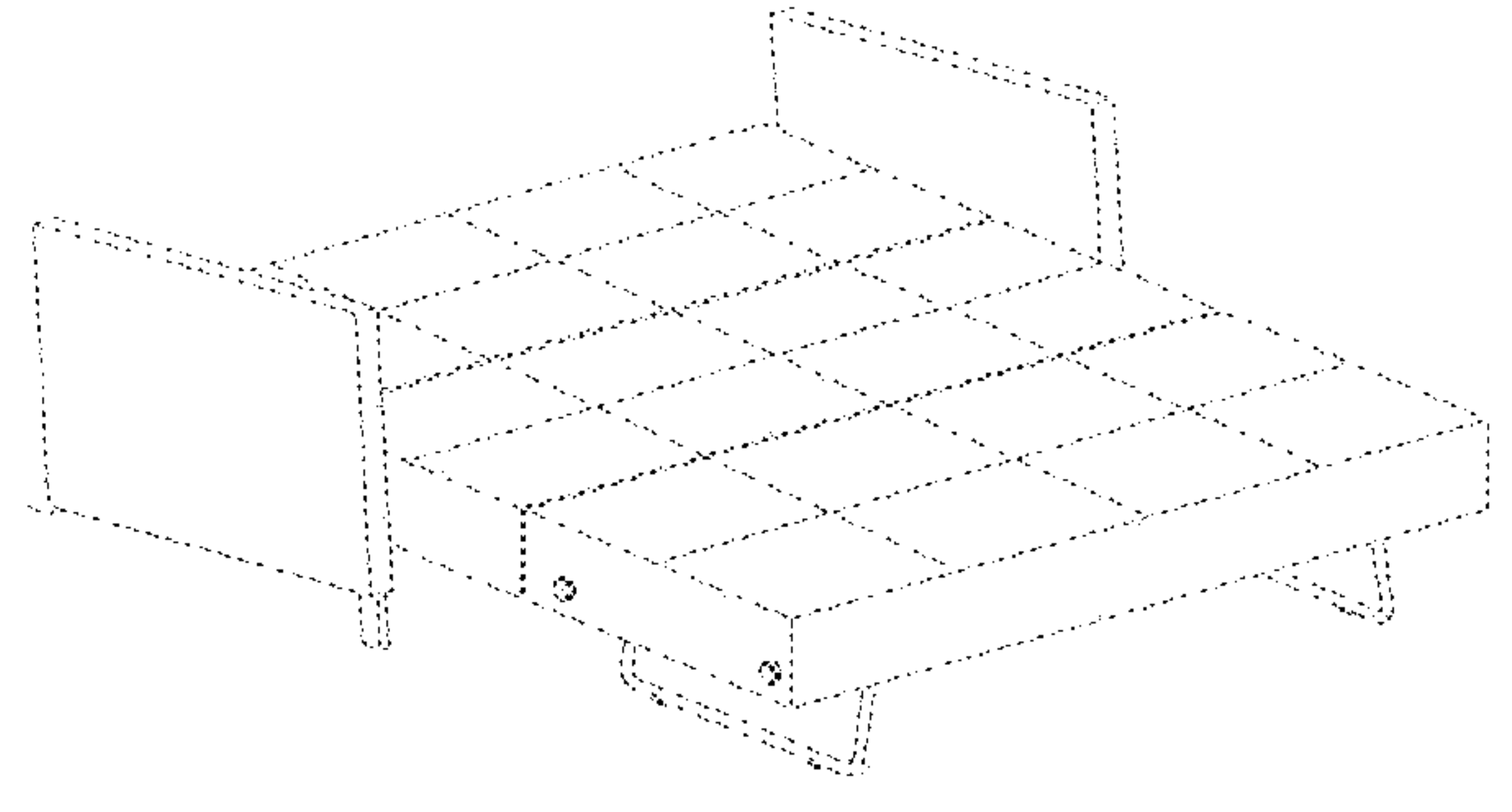
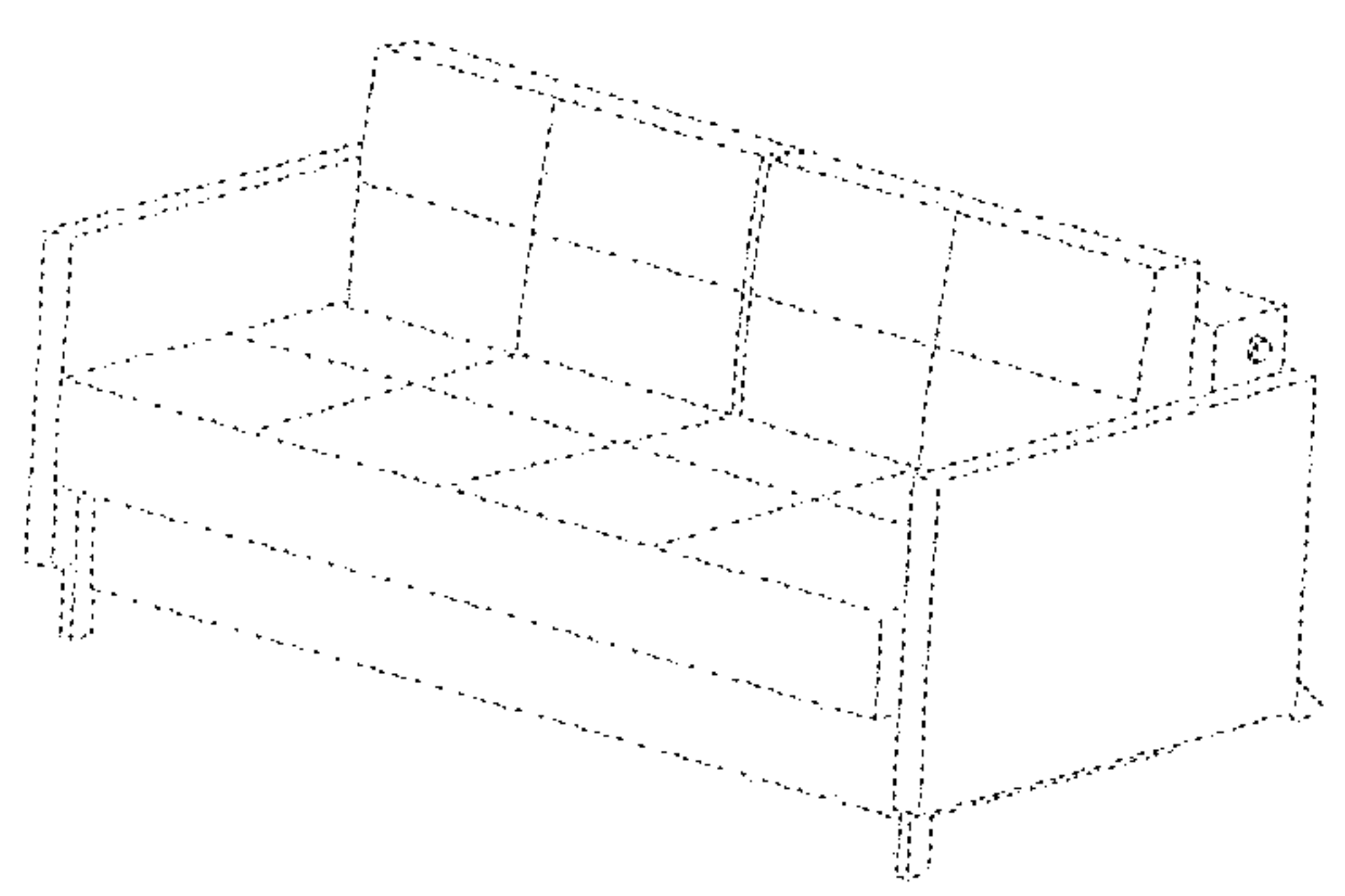
- D592,416 S 5/2009 Weiss
  - D603,617 S 11/2009 Weiss
  - D603,618 S 11/2009 Weiss
  - D604,957 S 12/2009 Weiss
  - D614,419 S 4/2010 Andersen
  - D615,315 S \* 5/2010 Andersen ..... D6/367
  - D615,766 S 5/2010 Andersen
  - D616,214 S 5/2010 Andersen
  - D617,571 S 6/2010 Andersen
  - D618,007 S 6/2010 Andersen
  - D623,869 S 9/2010 Andersen
  - D649,366 S 11/2011 Andersen
  - D649,367 S 11/2011 Andersen
  - D652,225 S 1/2012 Andersen
  - D652,226 S 1/2012 Andersen
  - D659,413 S \* 5/2012 Arko ..... D6/334
  - RE43,754 E 10/2012 Andersen
  - D677,070 S \* 3/2013 Kanthasamy ..... D6/381
- (Continued)

*Primary Examiner* — Deanna L Pratt  
(74) *Attorney, Agent, or Firm* — Miles & Stockbridge PC; David R. Schaffer

(57) **CLAIM**  
The ornamental design for a sofa, as shown and described.

**DESCRIPTION**  
FIG. 1 is a front view of the sofa showing the new design;  
FIG. 2 is a back view thereof;  
FIG. 3 is a left side view thereof;  
FIG. 4 is a right side view thereof;  
FIG. 5 is a top plan view thereof;  
FIG. 6 is a bottom plan view thereof;  
FIG. 7 is a left front perspective view thereof;  
FIG. 8 is a right front perspective view thereof;  
FIG. 9 is a right front perspective view thereof in a fully reclined position; and,  
FIG. 10 is a left front perspective view thereof in a fully reclined position.

**1 Claim, 5 Drawing Sheets**



(56)

**References Cited**

U.S. PATENT DOCUMENTS

D677,071 S	*	3/2013	Kanthasamy .....	D6/381
D699,464 S	*	2/2014	Andersen .....	D6/381
D718,552 S	*	12/2014	Kanthasamy .....	D6/381
D719,754 S	*	12/2014	Pathiratne .....	D6/381
D719,756 S	*	12/2014	Sonmez .....	D6/381
D721,242 S	*	1/2015	Sonmez .....	D6/381
D730,076 S	*	5/2015	Lange .....	D6/381

\* cited by examiner

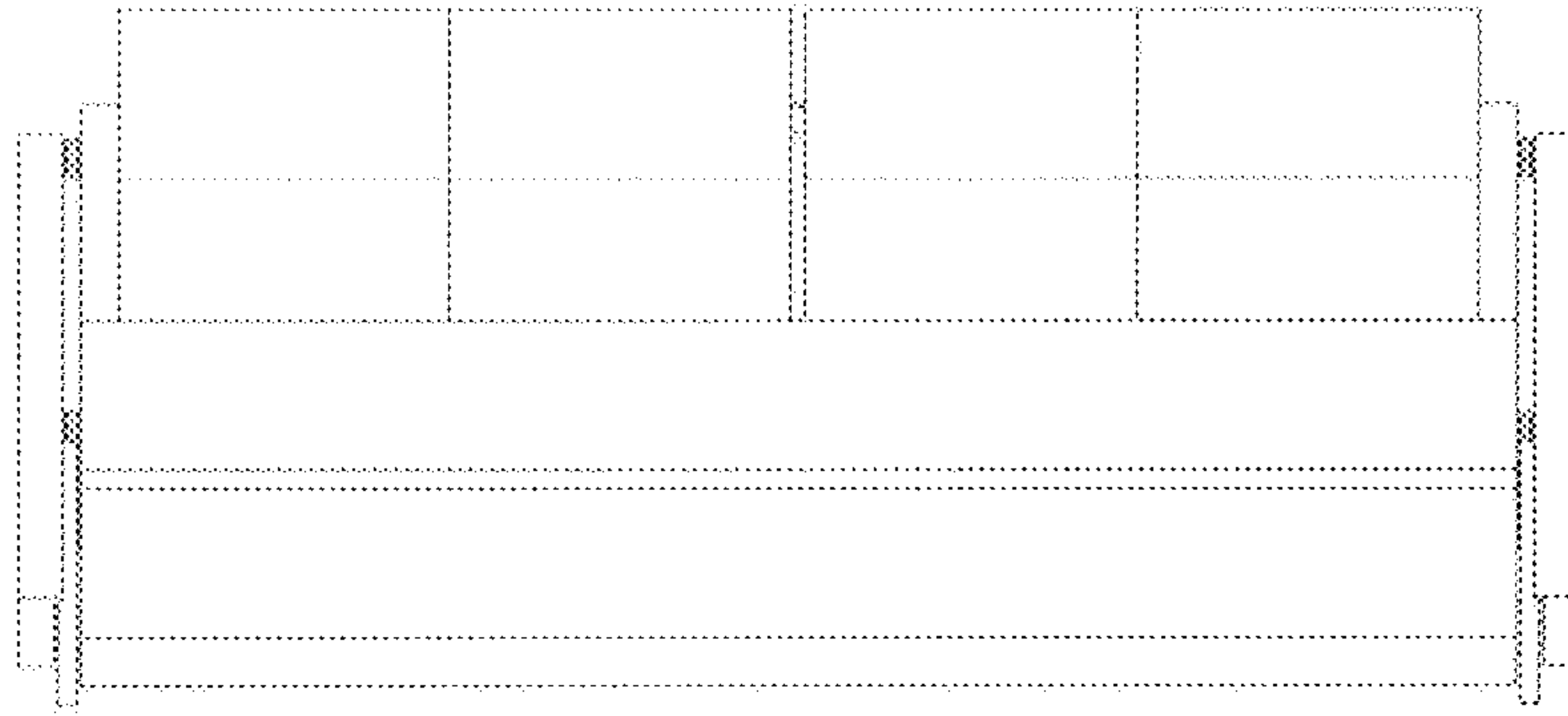


FIG. 1

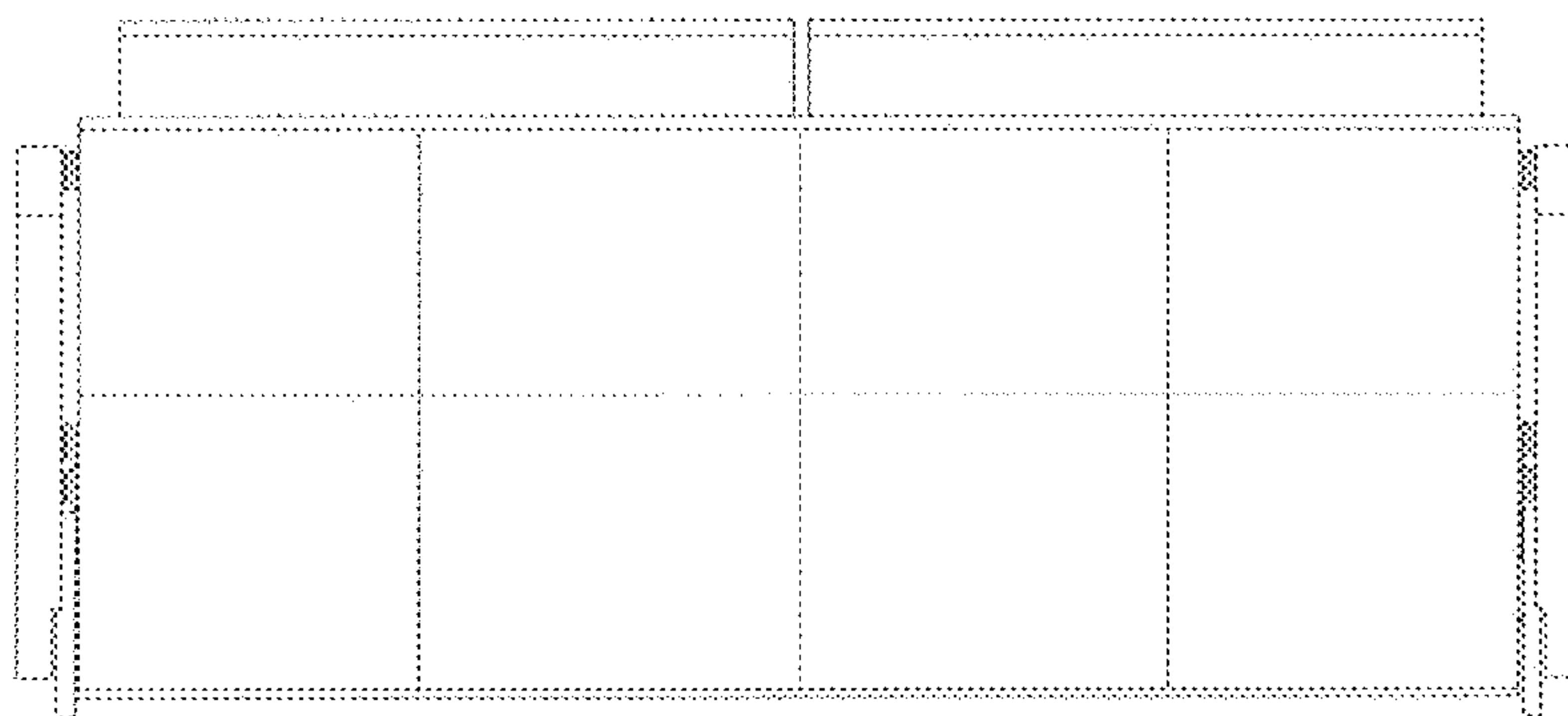


FIG. 2

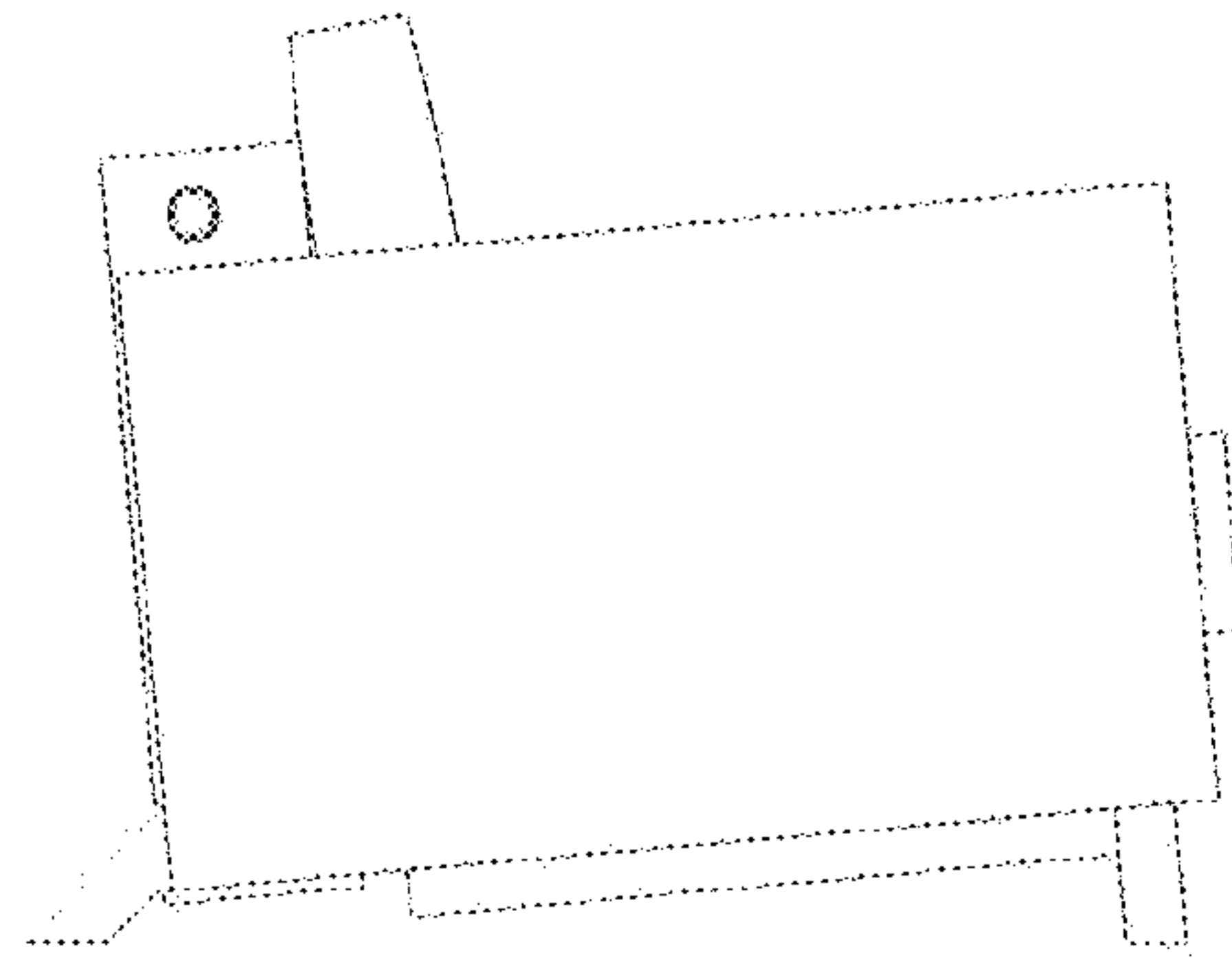


FIG. 3

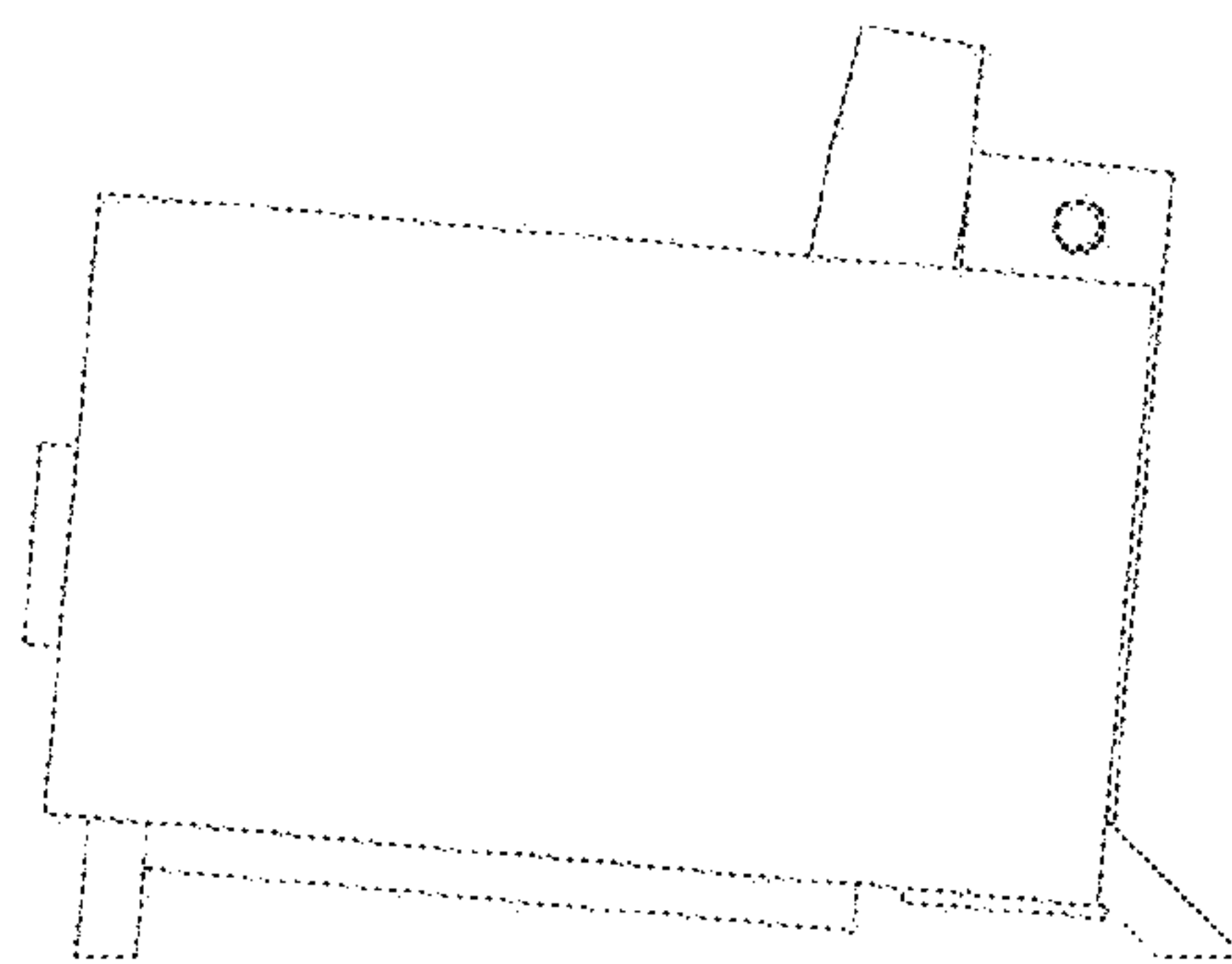


FIG. 4

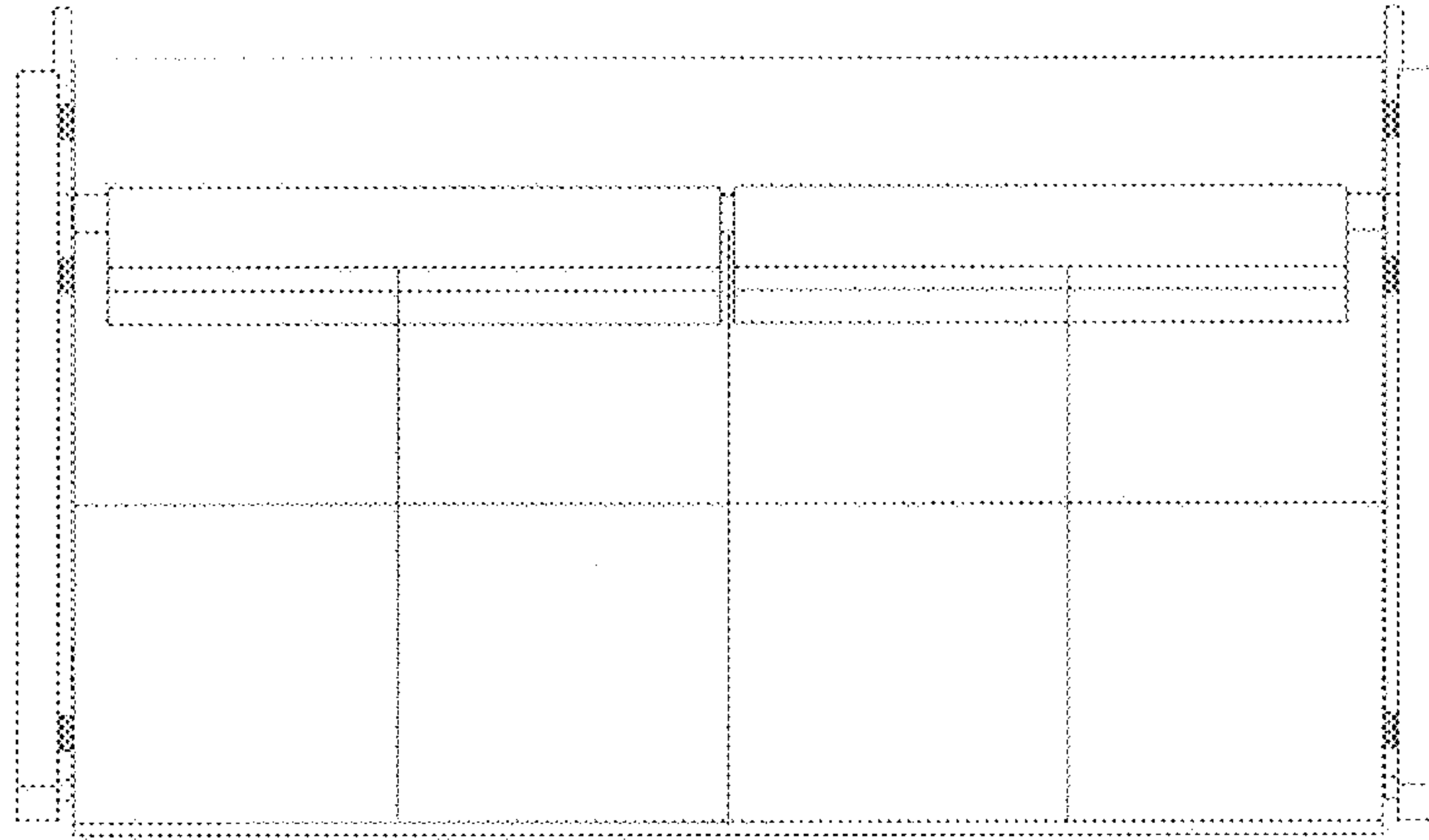


FIG. 5

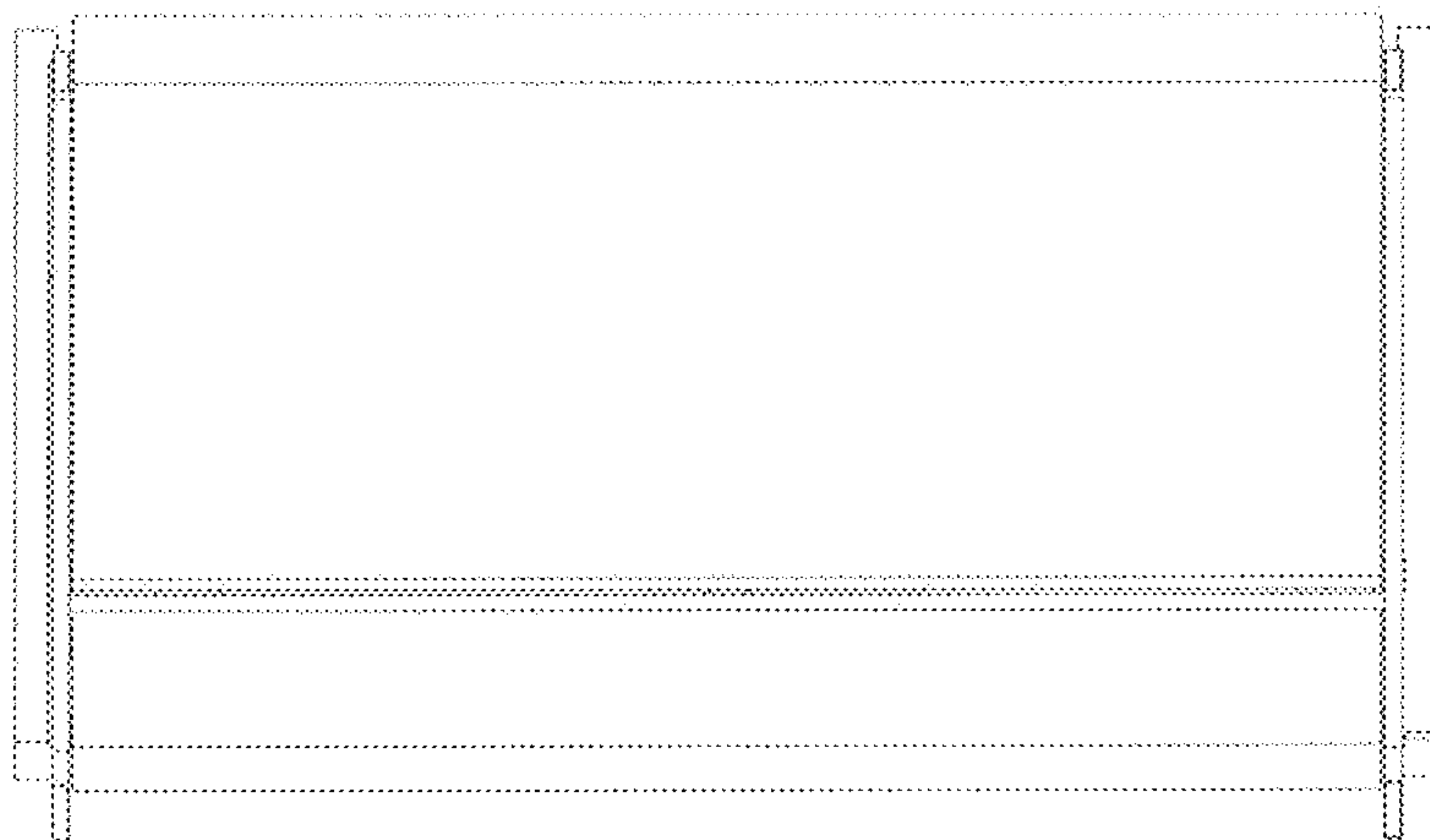


FIG. 6

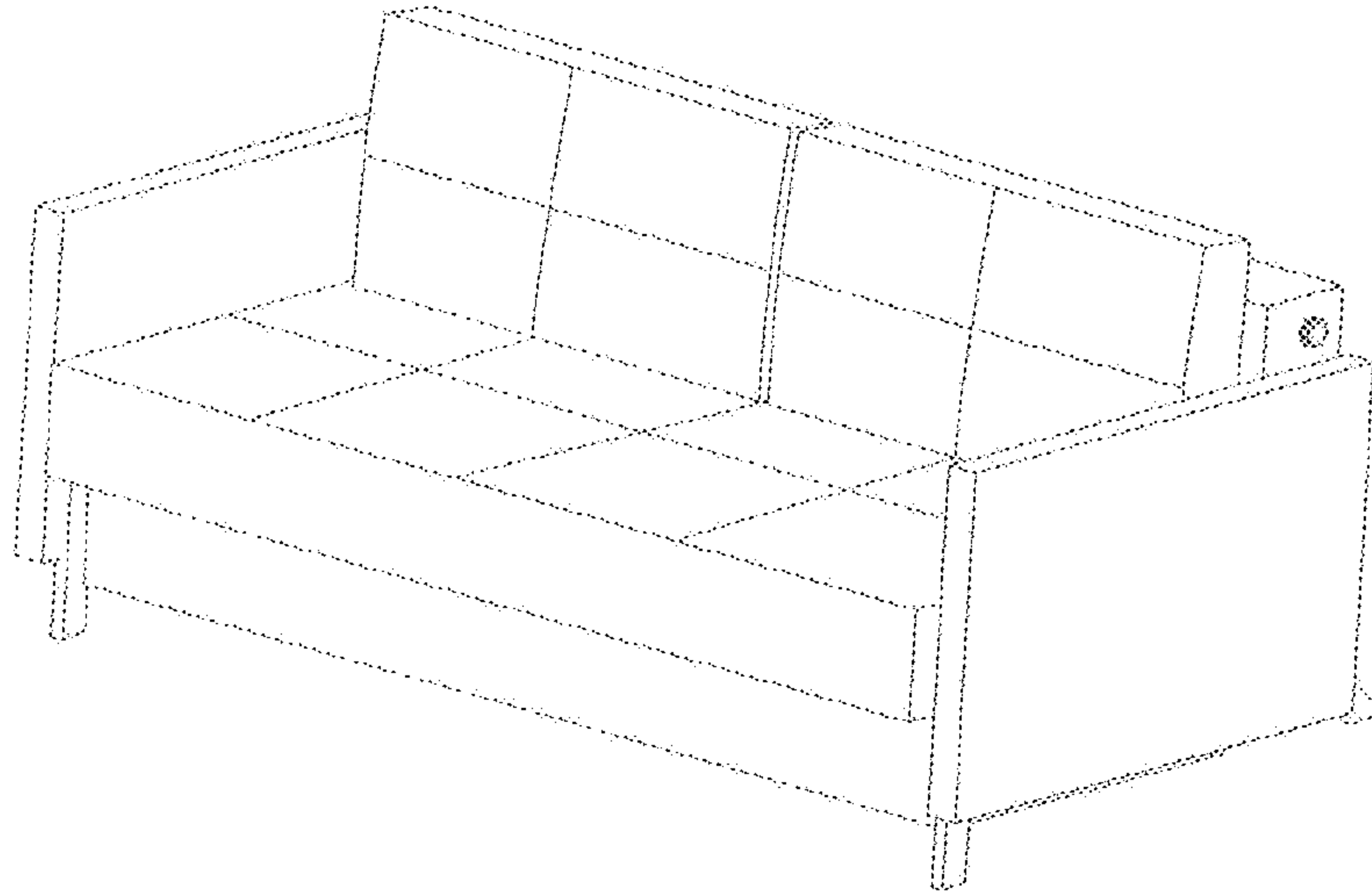


FIG. 7

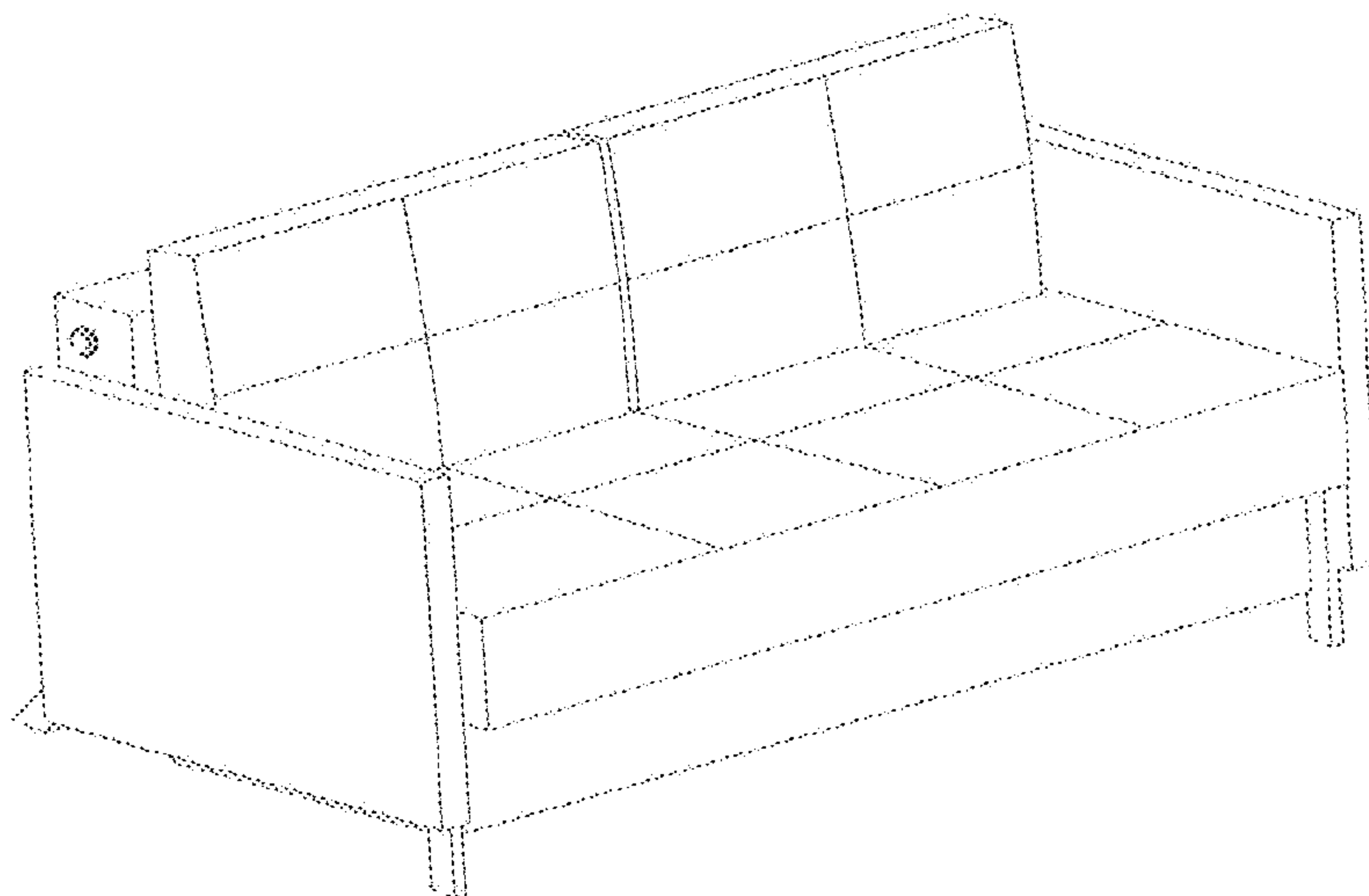


FIG. 8

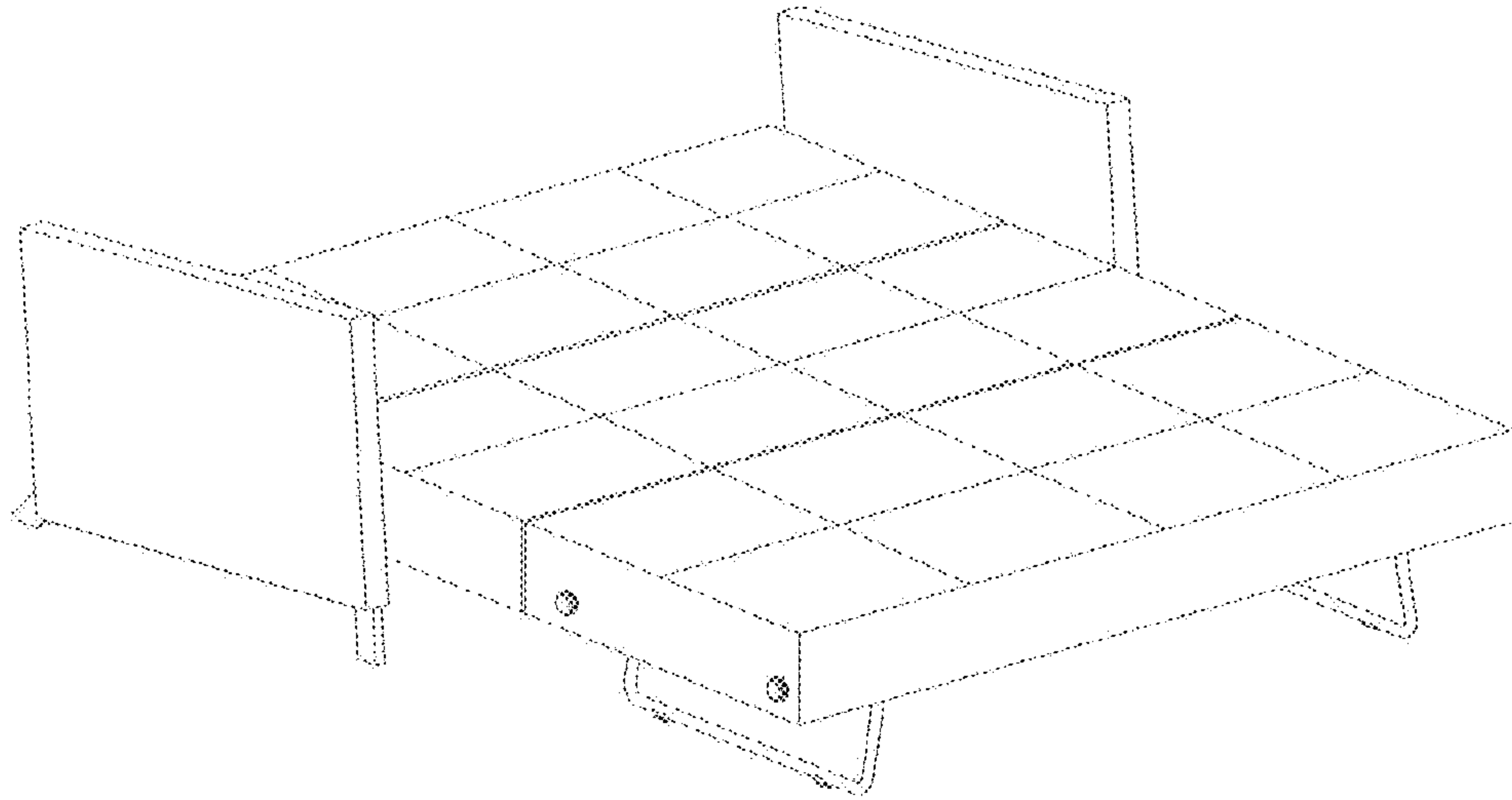


FIG. 9

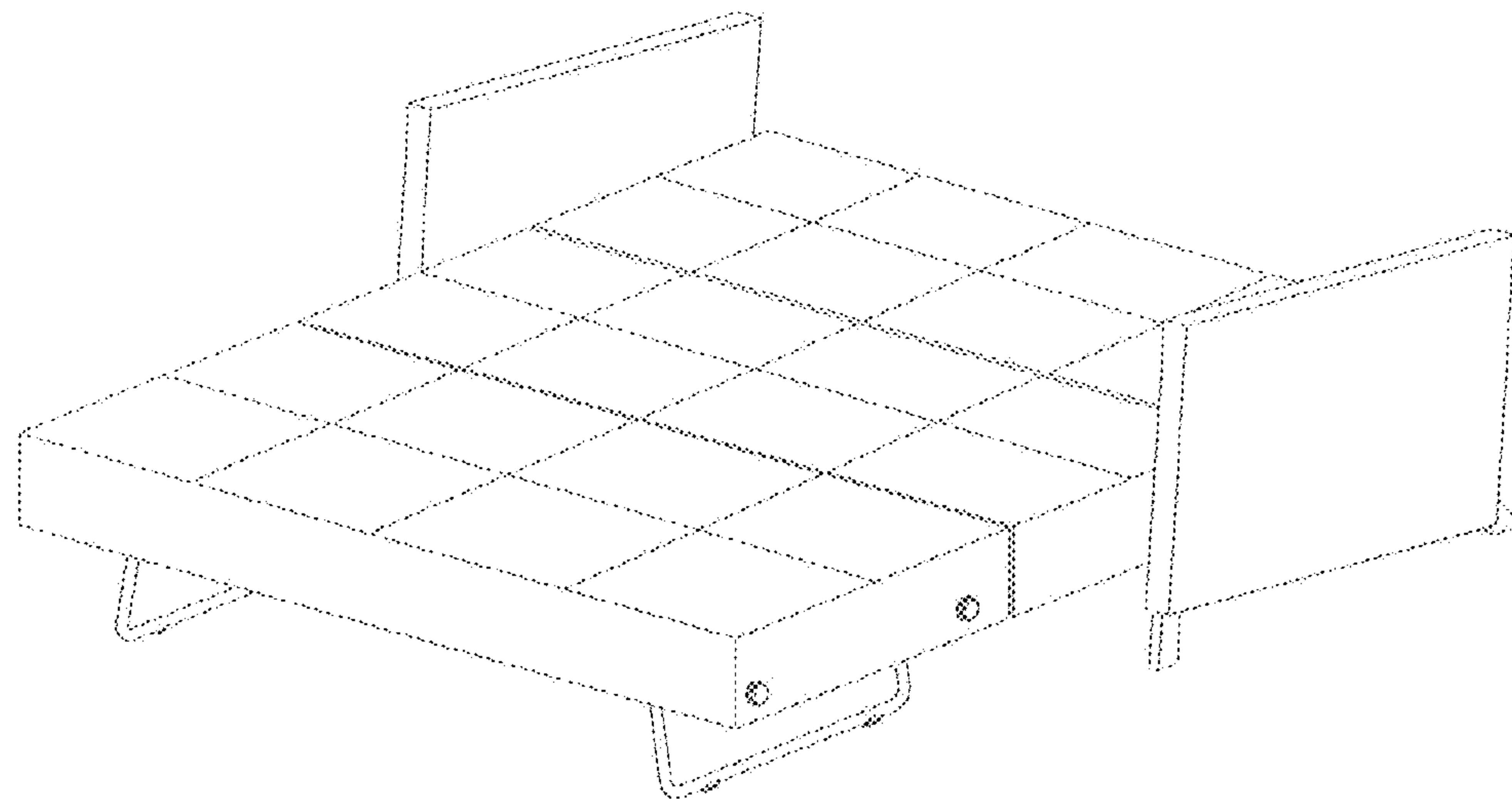


FIG. 10