

US00D811095S

(12) **United States Design Patent** (10) **Patent No.:** **US D811,095 S**
Way (45) **Date of Patent:** **** Feb. 27, 2018**

(54) **CLEANING HEAD**
(71) Applicant: **Advanced Orthodontics and Education Association, LLC**, Ossining, NY (US)
(72) Inventor: **Bryce A Way**, San Jose, CA (US)
(73) Assignee: **Advanced Orthodontics and Education Association, LLC**, Ossining, NY (US)
(**) Term: **15 Years**
(21) Appl. No.: **29/612,611**
(22) Filed: **Aug. 2, 2017**
(51) **LOC (11) Cl.** **04-02**
(52) **U.S. Cl.**
USPC **D4/113; D4/100**
(58) **Field of Classification Search**
USPC D4/100, 101, 104, 113, 114, 116, 121, D4/130, 132, 135, 138, 199; D8/107; D24/133, 146, 147, 152; D32/25, 32, 33, D32/40, 41, 42
CPC A46B 5/02; A46B 9/02; A46B 13/023; A46B 2200/1066; A46B 2200/30; A46B 13/00; A46B 13/02; A61C 3/00; A61C 17/16
See application file for complete search history.

D465,716 S * 11/2002 Hsieh D8/107
6,704,965 B2 * 3/2004 Ale A46B 7/04 15/167.1
D509,362 S * 9/2005 Maeda D4/101
D536,528 S 2/2007 Grant
D543,035 S 5/2007 Grant
7,334,283 B2 * 2/2008 Kunita A46B 7/06 15/167.1
D627,975 S 11/2010 Chang
D646,896 S * 10/2011 Lee D4/101
D653,755 S * 2/2012 Takiguchi D24/152
8,359,697 B2 * 1/2013 Wang A46B 5/00 15/167.1
D688,045 S * 8/2013 Key D4/101
D693,304 S 11/2013 Dobler
D697,316 S 1/2014 Schouten et al.
D714,442 S * 9/2014 Norichika D24/152
D714,725 S 10/2014 Vogelmann

(Continued)

Primary Examiner — Karen E Eldridge Powers
(74) *Attorney, Agent, or Firm* — Finnegan, Henderson, Farabow, Garrett & Dunner, L.L.P.

(57) **CLAIM**

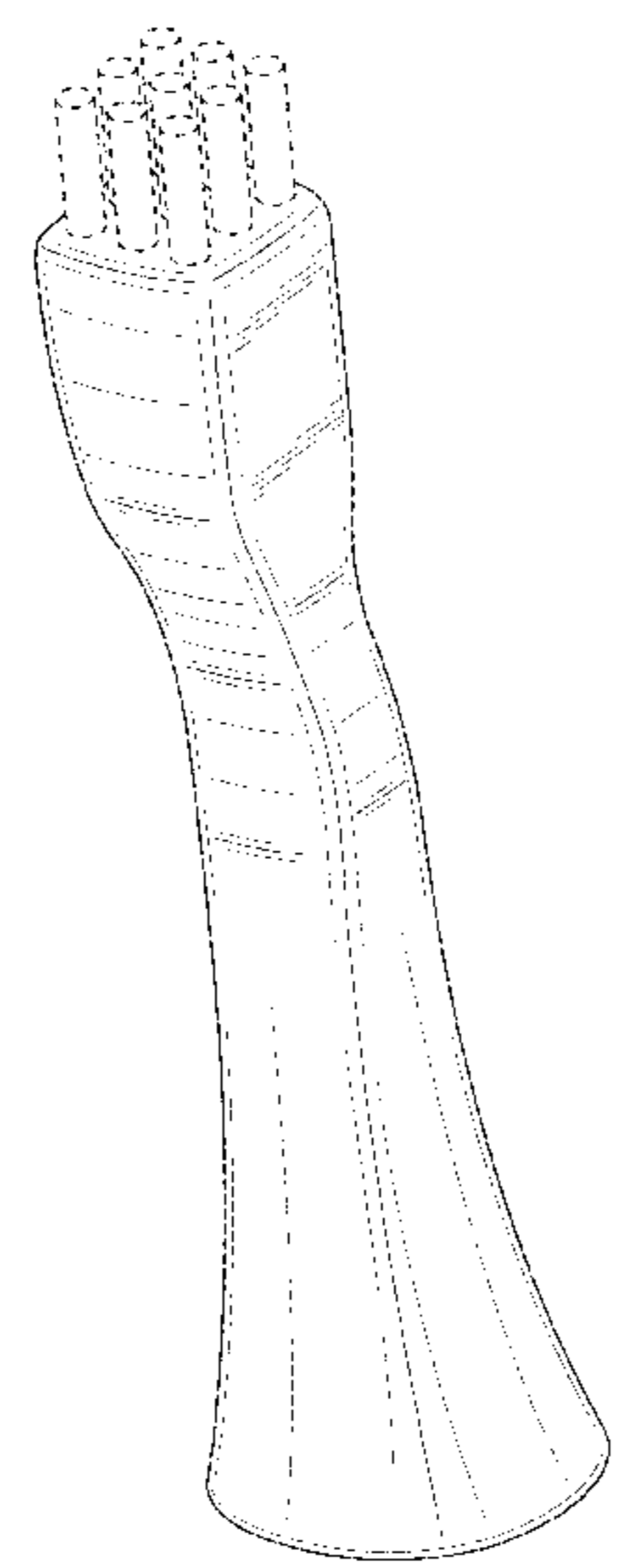
The ornamental design for a cleaning head, as shown and described.

DESCRIPTION

FIG. 1 is a front, left, top perspective view of a cleaning head showing my new design;
FIG. 2 is a rear, left, bottom perspective view thereof;
FIG. 3 is a front elevation view thereof;
FIG. 4 is a rear elevation view thereof;
FIG. 5 is a left side view thereof;
FIG. 6 is a right side view thereof;
FIG. 7 is a top plan view thereof; and,
FIG. 8 is a bottom plan view thereof.
The broken lines shown in the drawings depict portions of the cleaning head that form no part of the claimed design.

1 Claim, 8 Drawing Sheets

(56) **References Cited**
U.S. PATENT DOCUMENTS
D175,365 S 8/1955 Racicot
D222,524 S 11/1971 Jedora
D258,526 S 3/1981 Nederman
D353,674 S 12/1994 Jorneus
D375,035 S 10/1996 Mangol
D418,413 S 1/2000 Stern
6,381,794 B1 * 5/2002 Porper A46B 5/0012 15/167.2



(56)

References Cited

U.S. PATENT DOCUMENTS

D730,062	S	5/2015	Lim	
D736,929	S *	8/2015	Kagawa	D24/152
D759,383	S *	6/2016	Watkins	D4/101
D772,580	S	11/2016	Harrington	
D774,193	S *	12/2016	Makmel	D24/152
D794,336	S *	8/2017	Zavalloni	D4/101
D794,784	S *	8/2017	Bradley	D24/133
D799,218	S *	10/2017	Okai	D4/104
2005/0271997	A1 *	12/2005	Mikami	A46B 15/0002 433/29
2007/0277339	A1 *	12/2007	Barsheshet	A46B 7/06 15/167.1

* cited by examiner

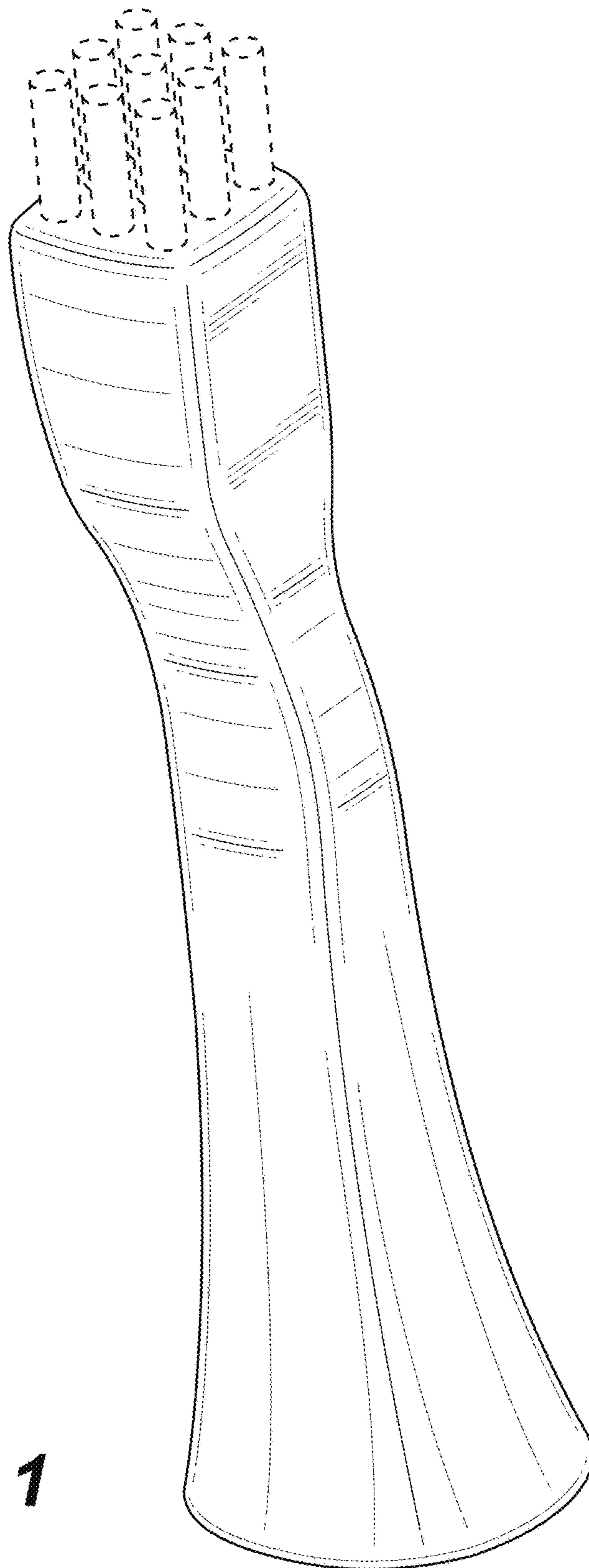


FIG. 1

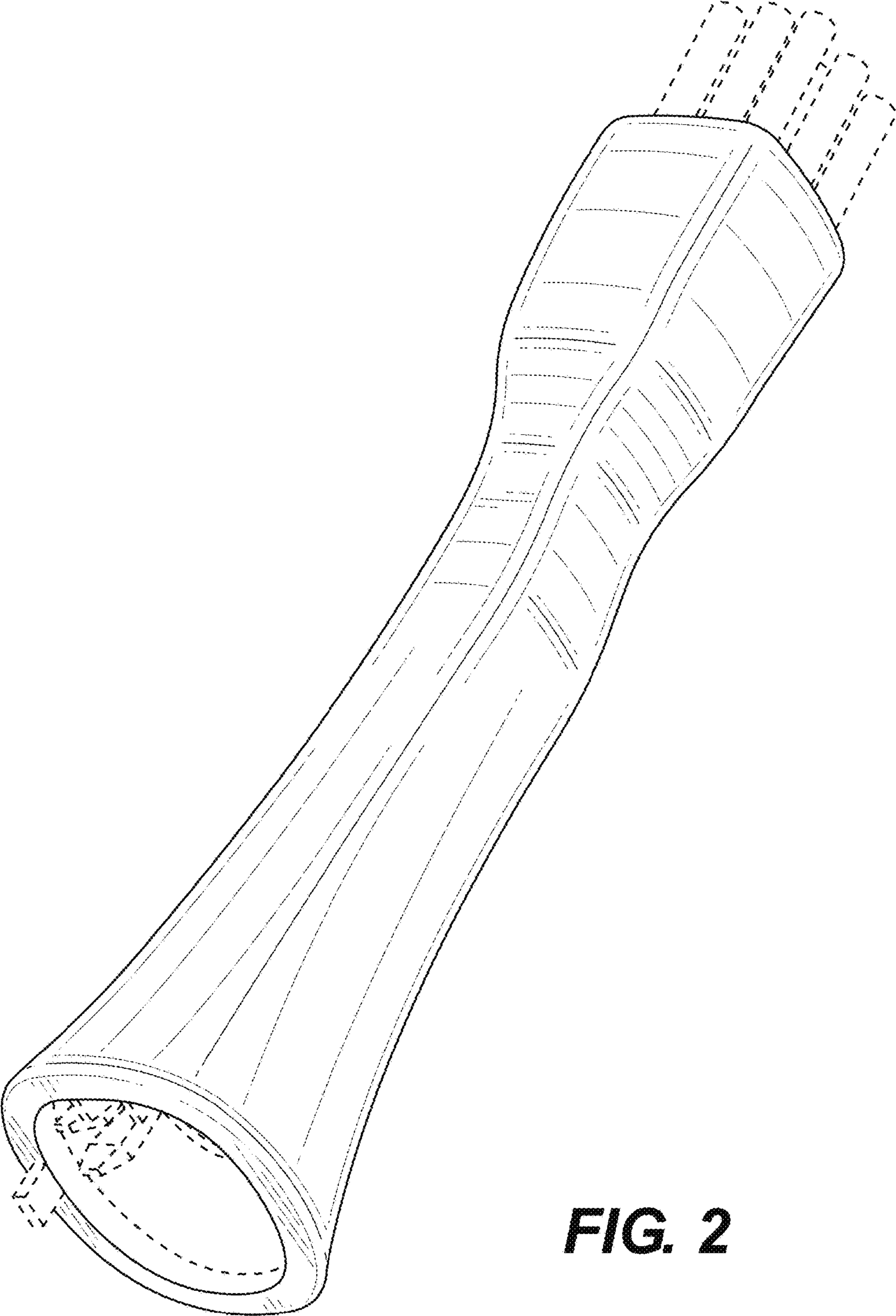


FIG. 2

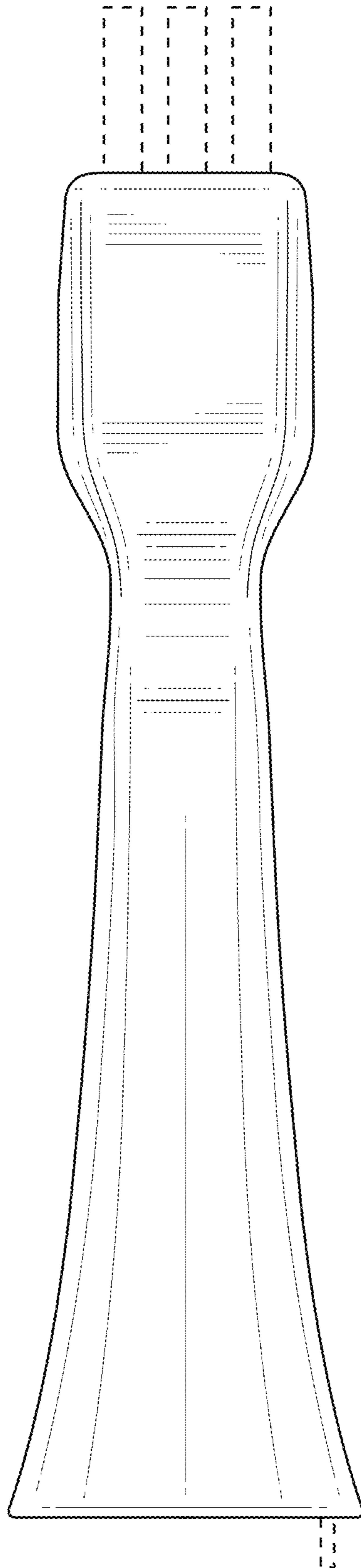


FIG. 3

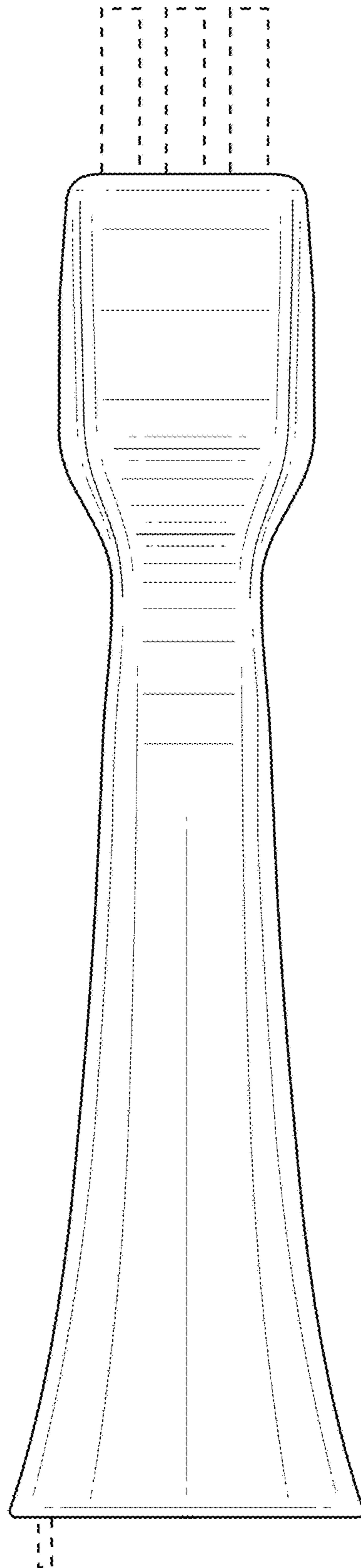


FIG. 4

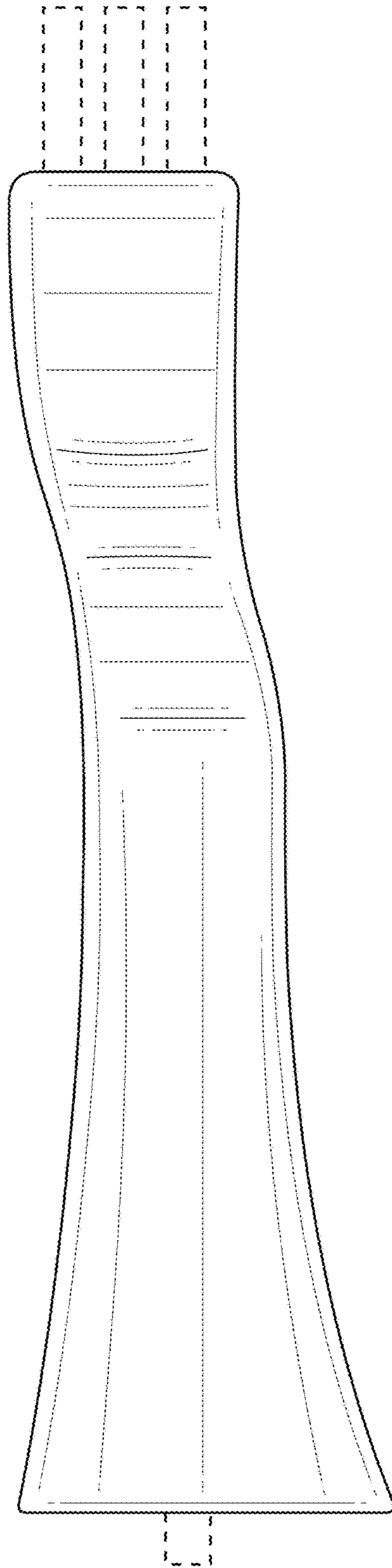


FIG. 5

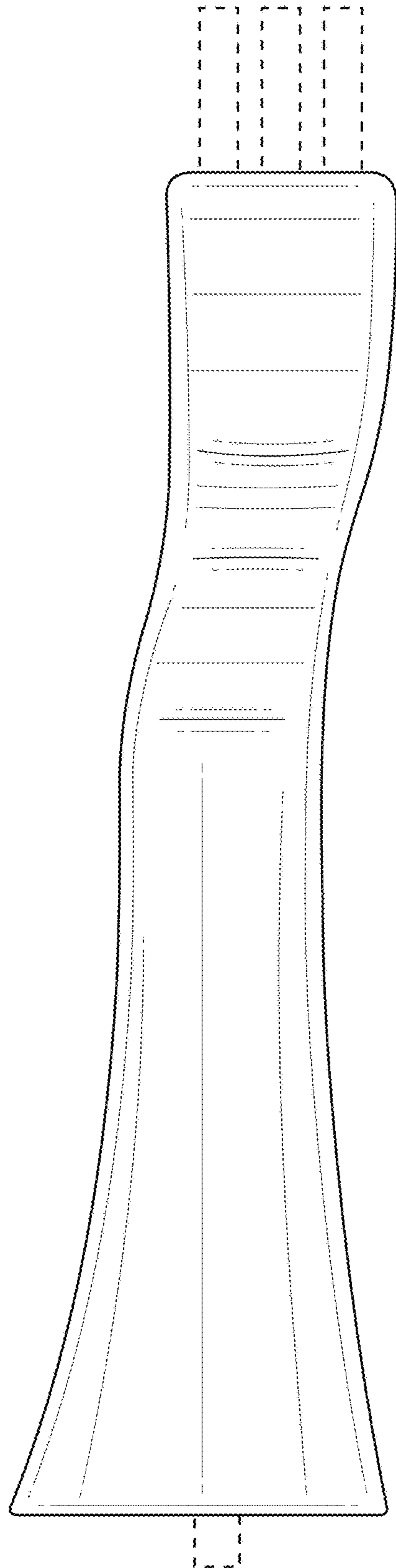


FIG. 6

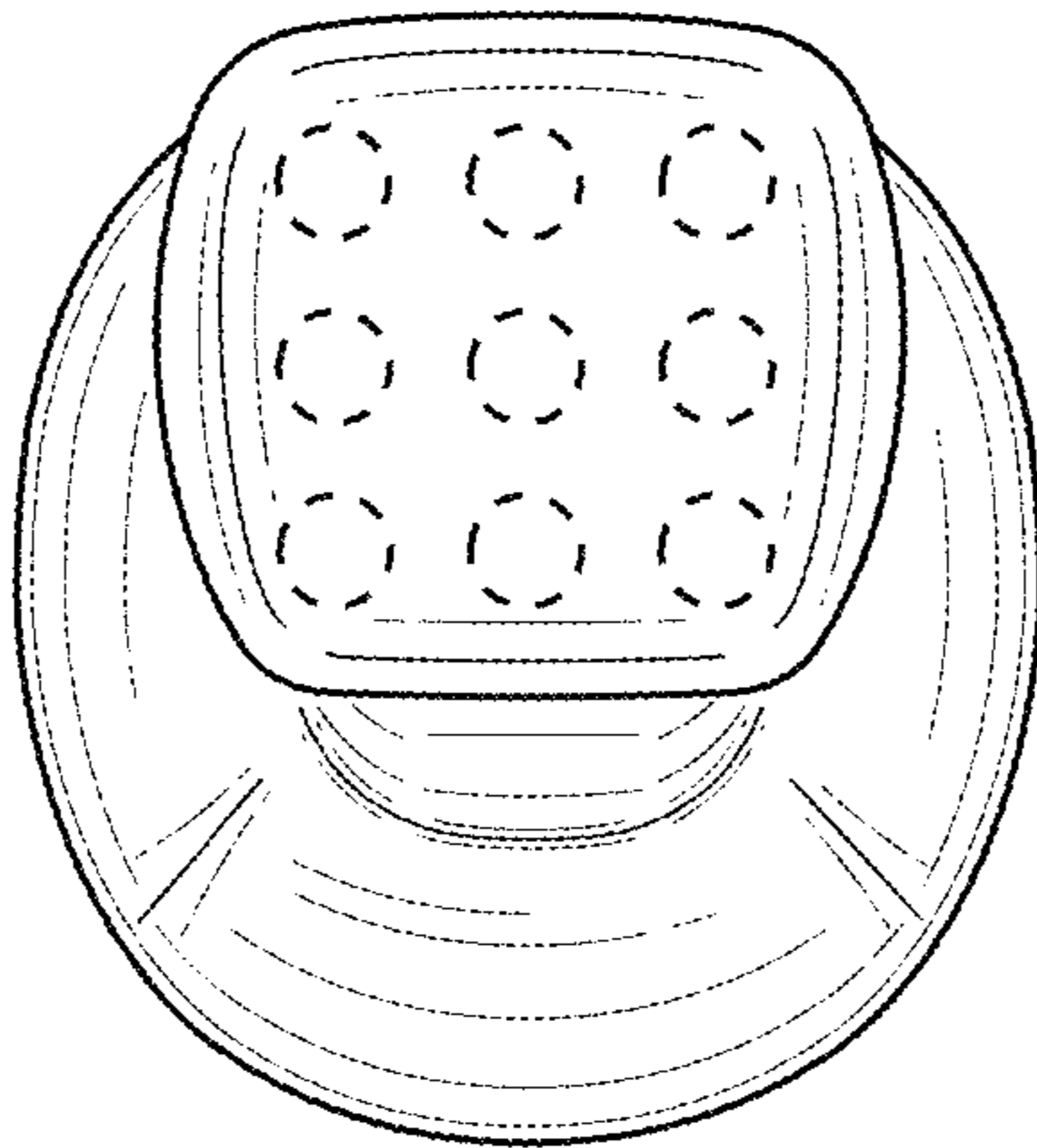


FIG. 7

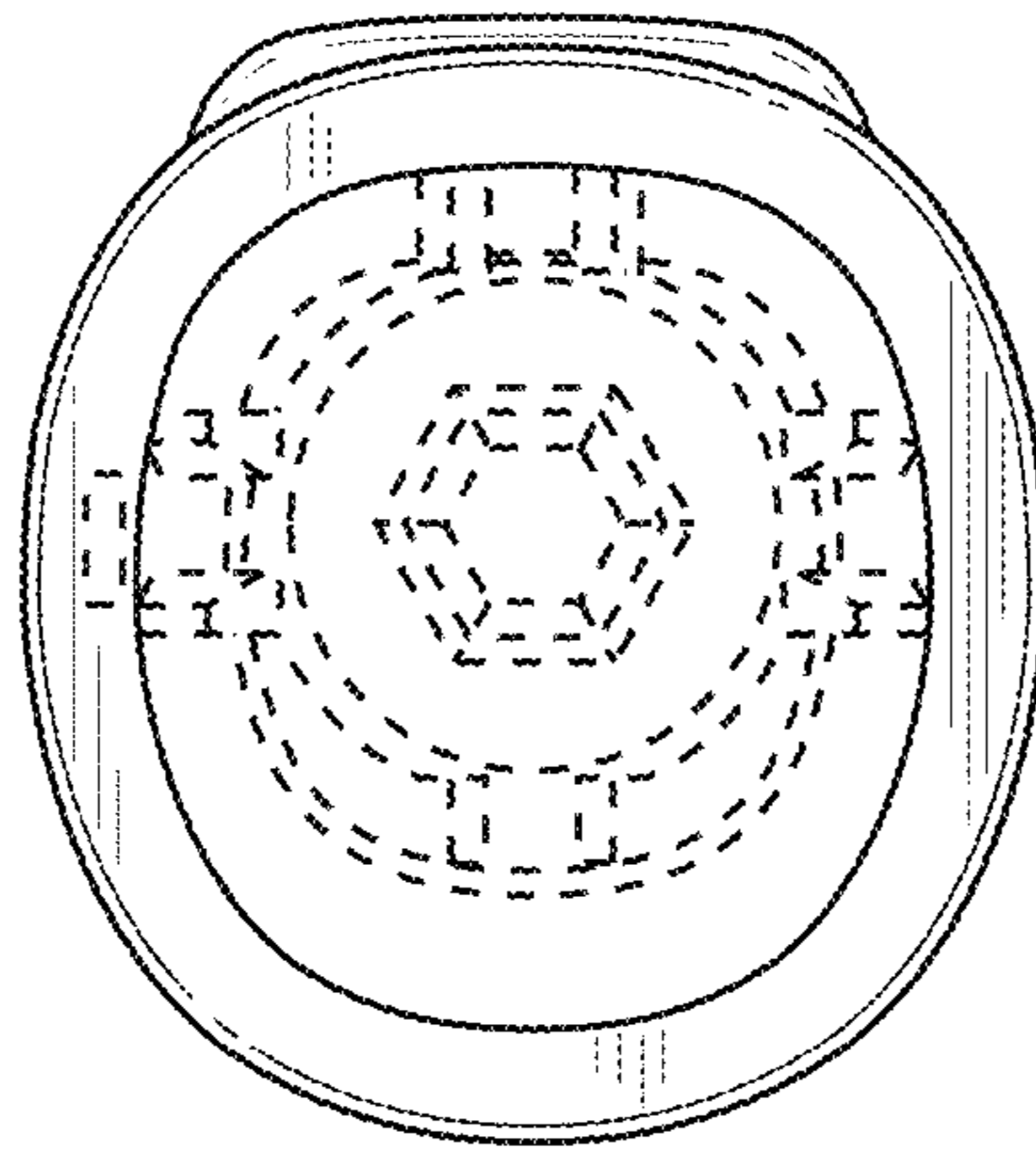


FIG. 8