



US00D811093S

(12) **United States Design Patent** (10) **Patent No.:** **US D811,093 S**  
**Helmbold** (45) **Date of Patent:** **\*\* Feb. 27, 2018**

(54) **ATTACHMENT FOR FACIAL CLEANING APPARATUS**

9/00; A46B 9/005; A46B 9/02; A46B 13/00; A46B 13/008; A46B 13/02; A46B 13/023

(71) Applicant: **KONINKLIJKE PHILIPS N.V.**, Eindhoven (NL)

See application file for complete search history.

(72) Inventor: **Kim Helmbold**, Amsterdam (NL)

(56) **References Cited**

(73) Assignee: **KONINKLIJKE PHILIPS N.V.**, Eindhoven (NL)

U.S. PATENT DOCUMENTS

(\*\*) Term: **15 Years**

D368,343 S *	3/1996	Gebhard	.....	D24/215
D649,653 S *	11/2011	Halvorsen	.....	D24/215
D708,440 S *	7/2014	Owen	.....	D4/102
D721,421 S *	1/2015	Hawkins	.....	D23/223
D745,153 S *	12/2015	Dowdell	.....	D24/108
D764,173 S *	8/2016	Nichols	.....	D4/102
D765,982 S *	9/2016	Nichols	.....	D4/102
D785,193 S *	4/2017	Cole	.....	D24/200

(21) Appl. No.: **35/501,045**

(22) Filed: **Dec. 10, 2015**

\* cited by examiner

(80) **Hague Agreement Data**

Int. Filing Date: **Dec. 10, 2015**  
Int. Reg. No.: **DM/089007**  
Int. Reg. Date: **Dec. 10, 2015**  
Int. Reg. Pub. Date: **Jun. 10, 2016**

*Primary Examiner* — Michael A Pratt

(30) **Foreign Application Priority Data**

Jul. 27, 2015 (EM) ..... 002742957-0001  
Jul. 27, 2015 (EM) ..... 002742957-0002

(57) **CLAIM**

The ornamental design for an attachment for facial cleaning apparatus, as shown and described.

(51) **LOC (11) Cl.** ..... **04-02**

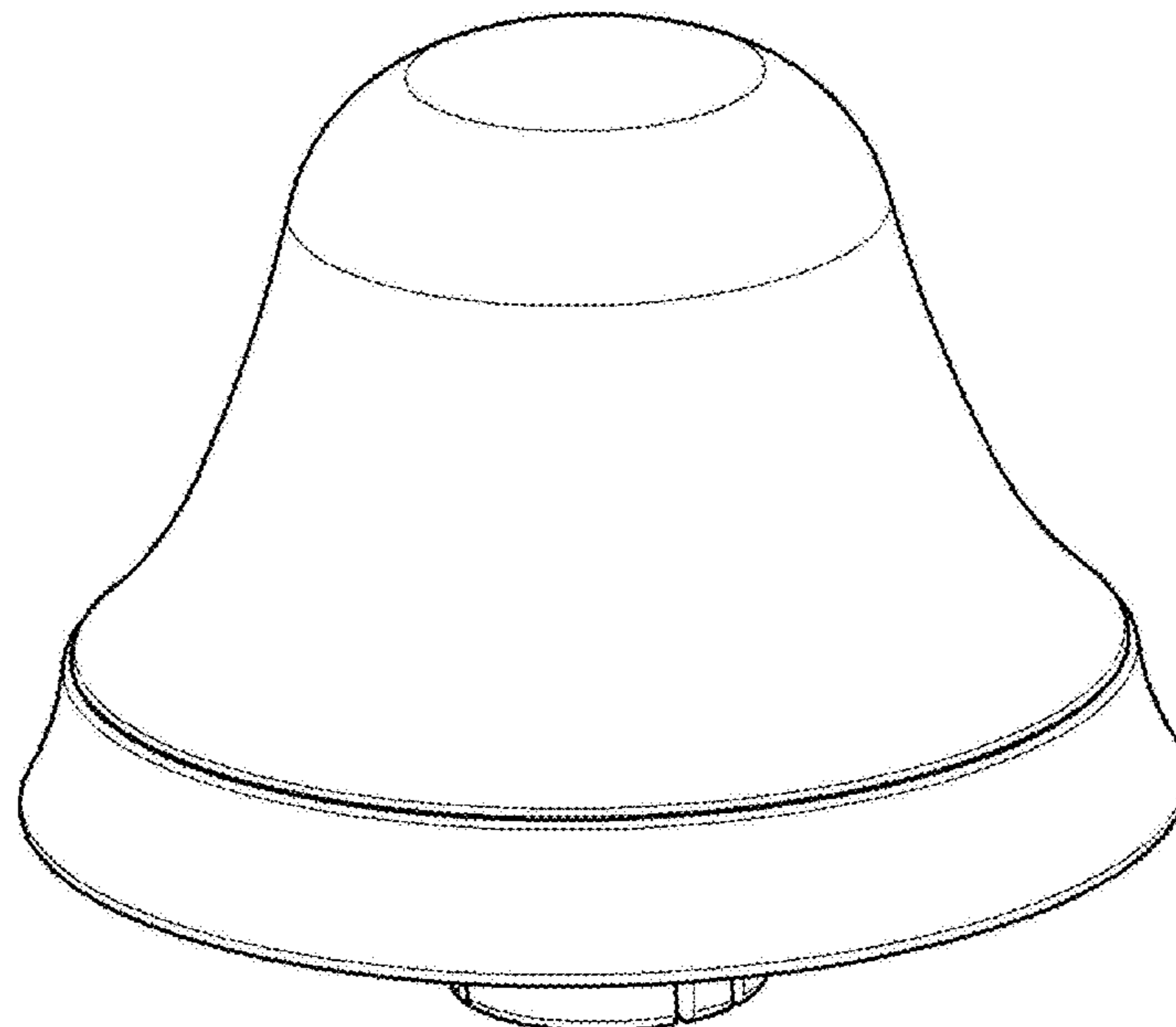
(52) **U.S. Cl.**  
USPC ..... **D4/102**

**DESCRIPTION**

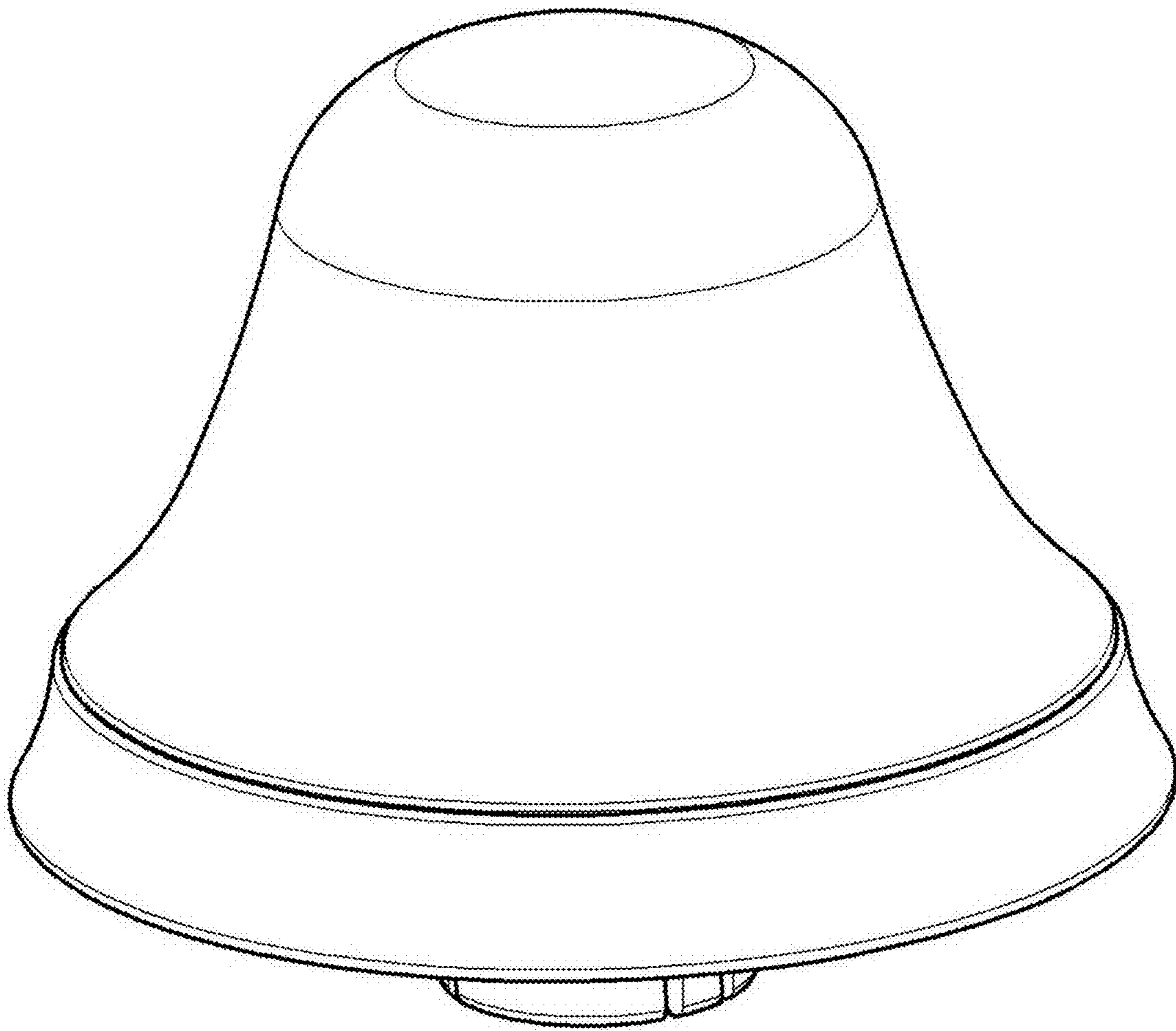
Fig. 1.1 is a perspective view showing the attachment for facial cleaning apparatus of my design; Fig. 1.2 is a front elevational view thereof; Fig. 1.3 is a rear elevational view thereof; Fig. 1.4 is a right side elevational view thereof; Fig. 1.5 is a left side elevational view thereof; Fig. 1.6 is a top plan view thereof; and Fig. 1.7 is a bottom plan view thereof.

(58) **Field of Classification Search**  
USPC ..... D4/100, 102, 127, 132, 134, 136, 138; D14/146, 200, 214-215; D28/58, 63  
CPC .. A46B 3/00; A46B 3/005; A46B 3/22; A46B 5/0095; A46B 7/00; A46B 7/04; A46B 7/042; A46B 7/06; A46B 7/08; A46B

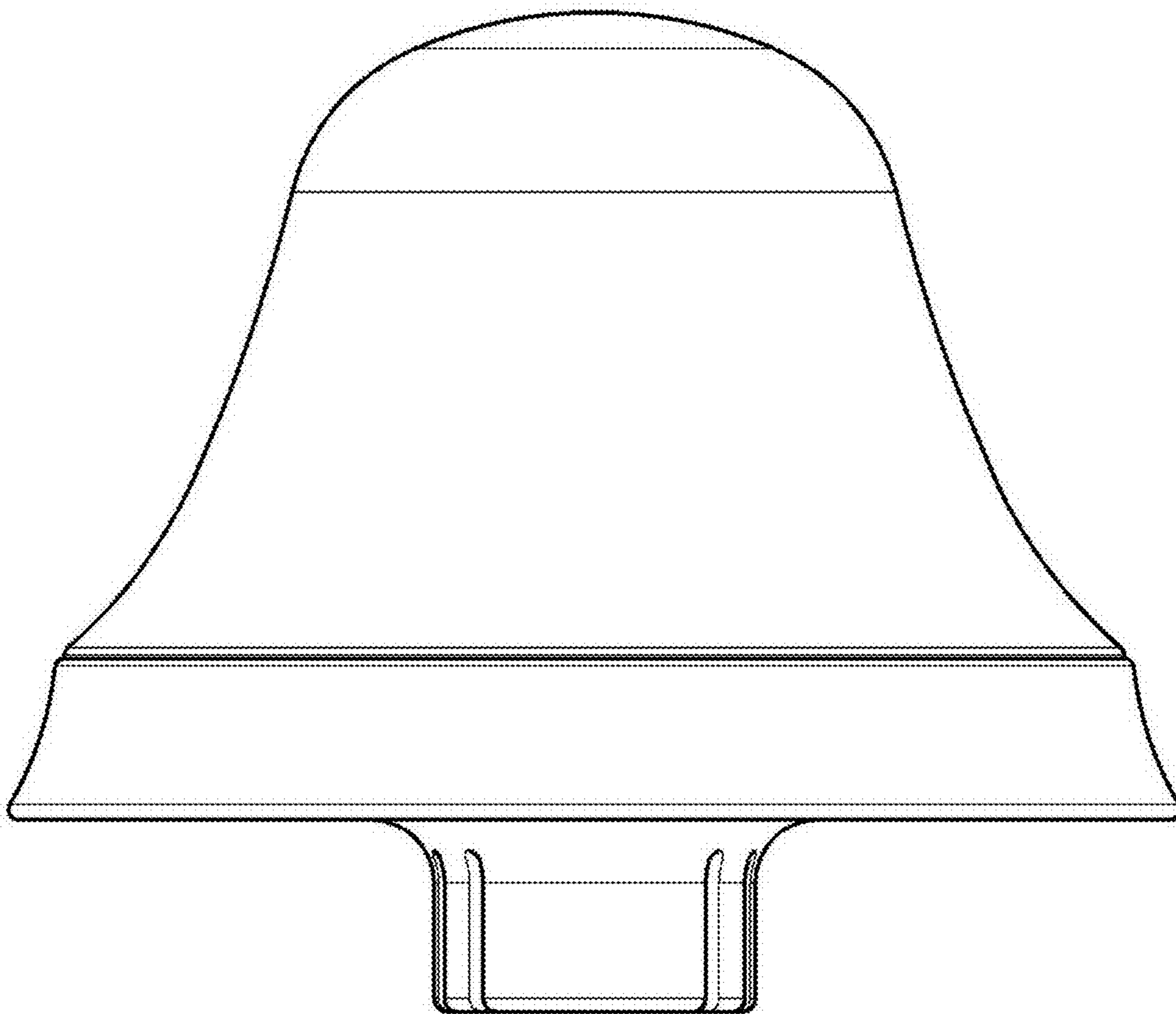
**1 Claim, 7 Drawing Sheets**



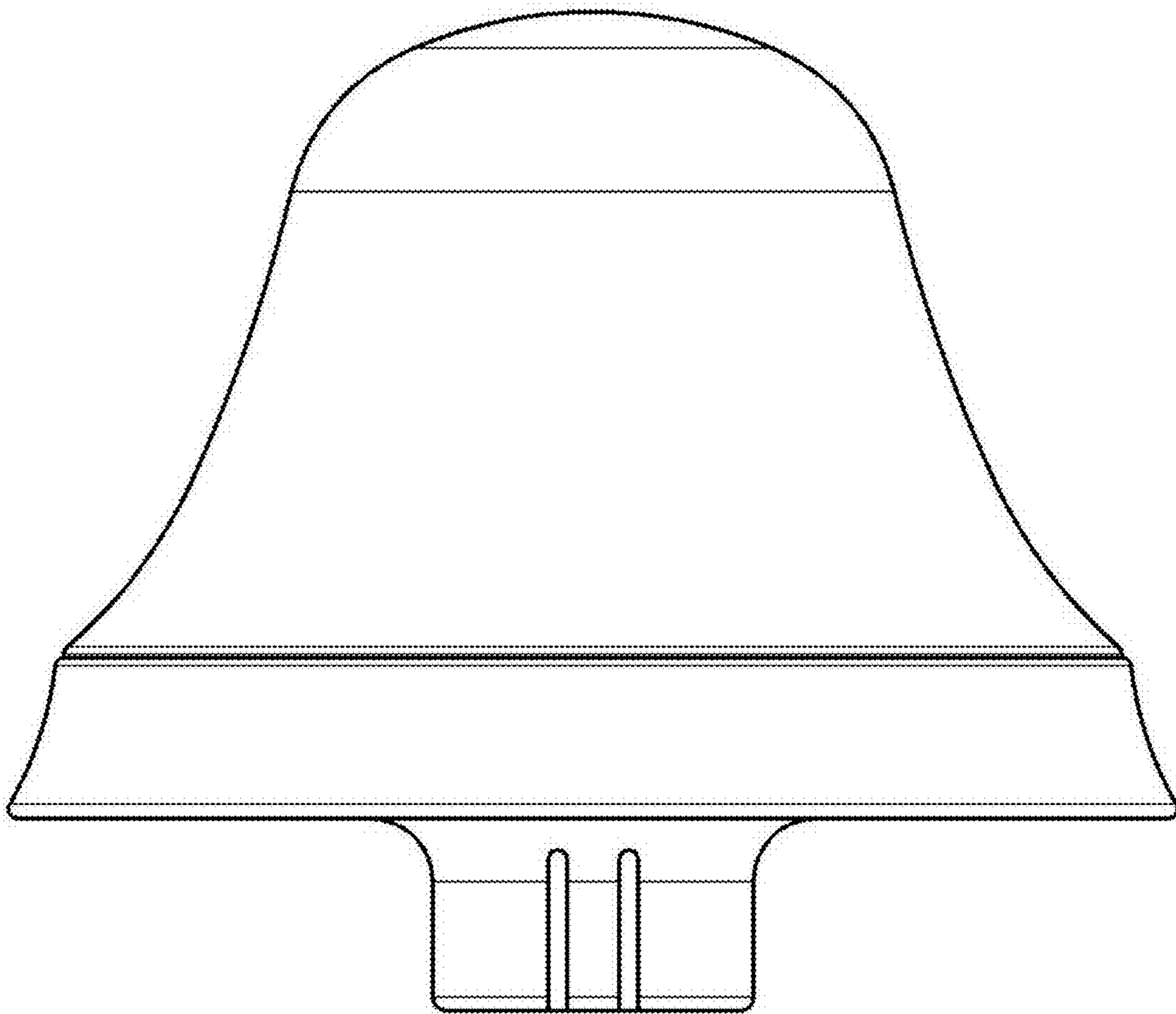
1.1



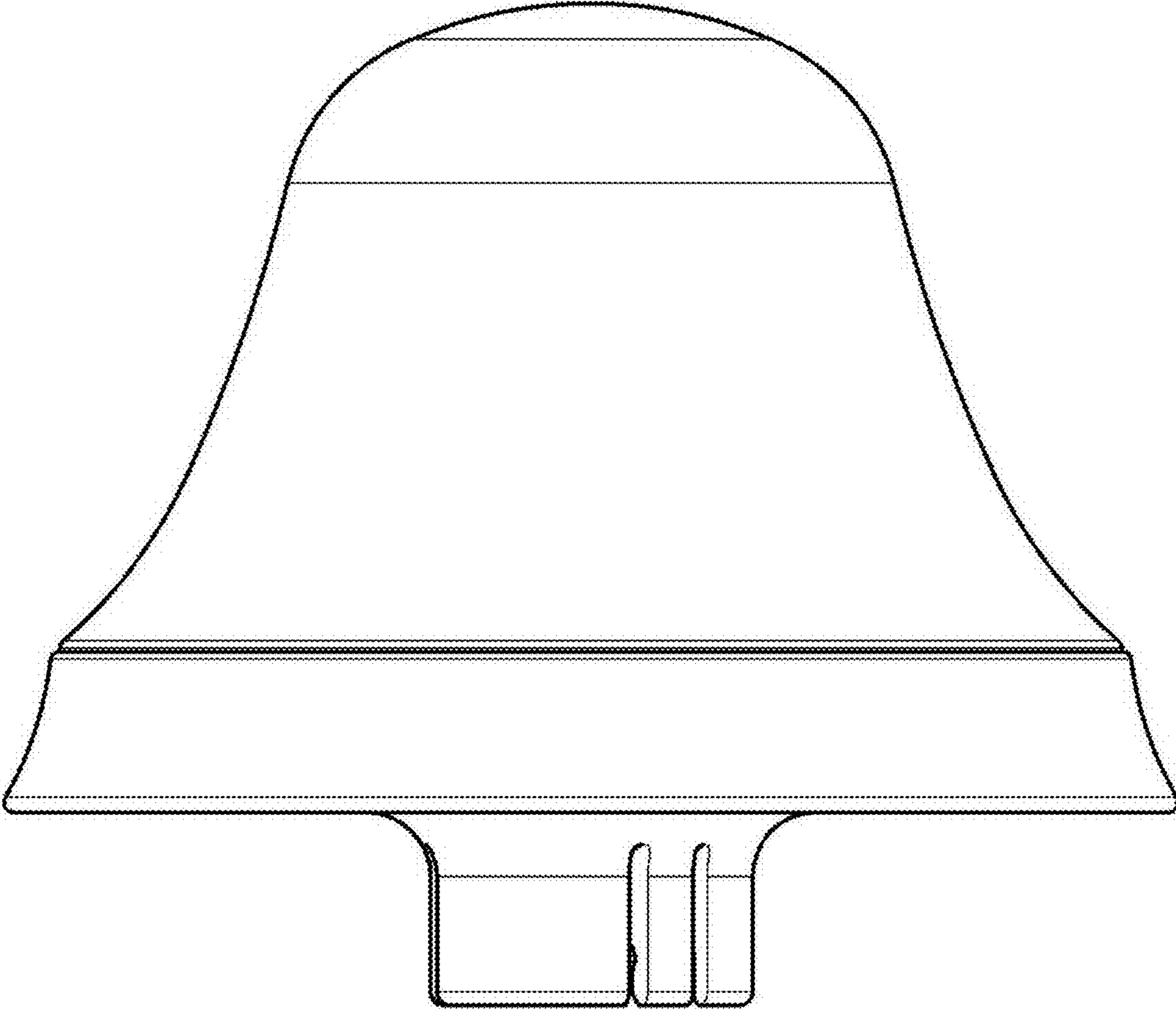
1.2



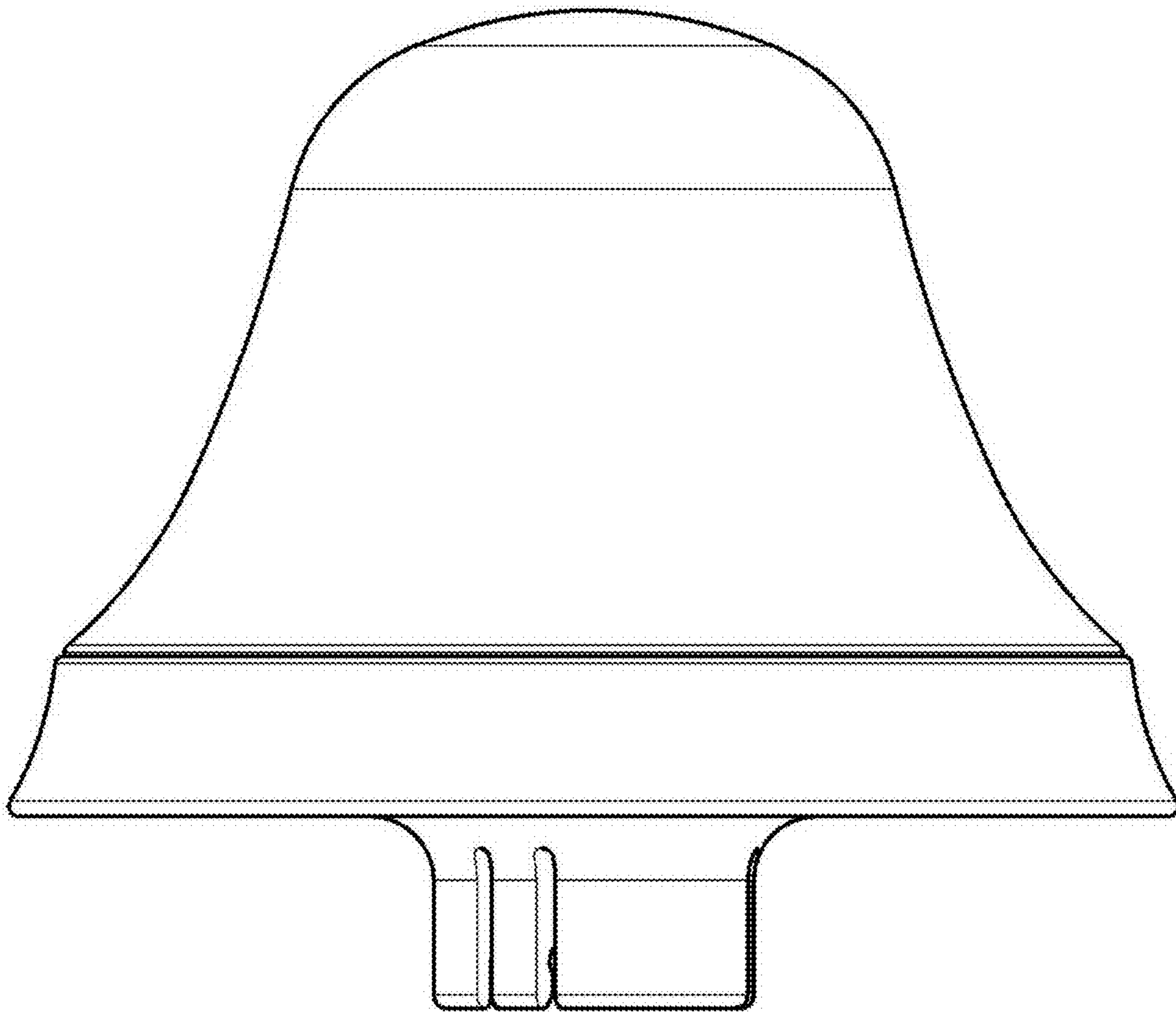
1.3



1.4

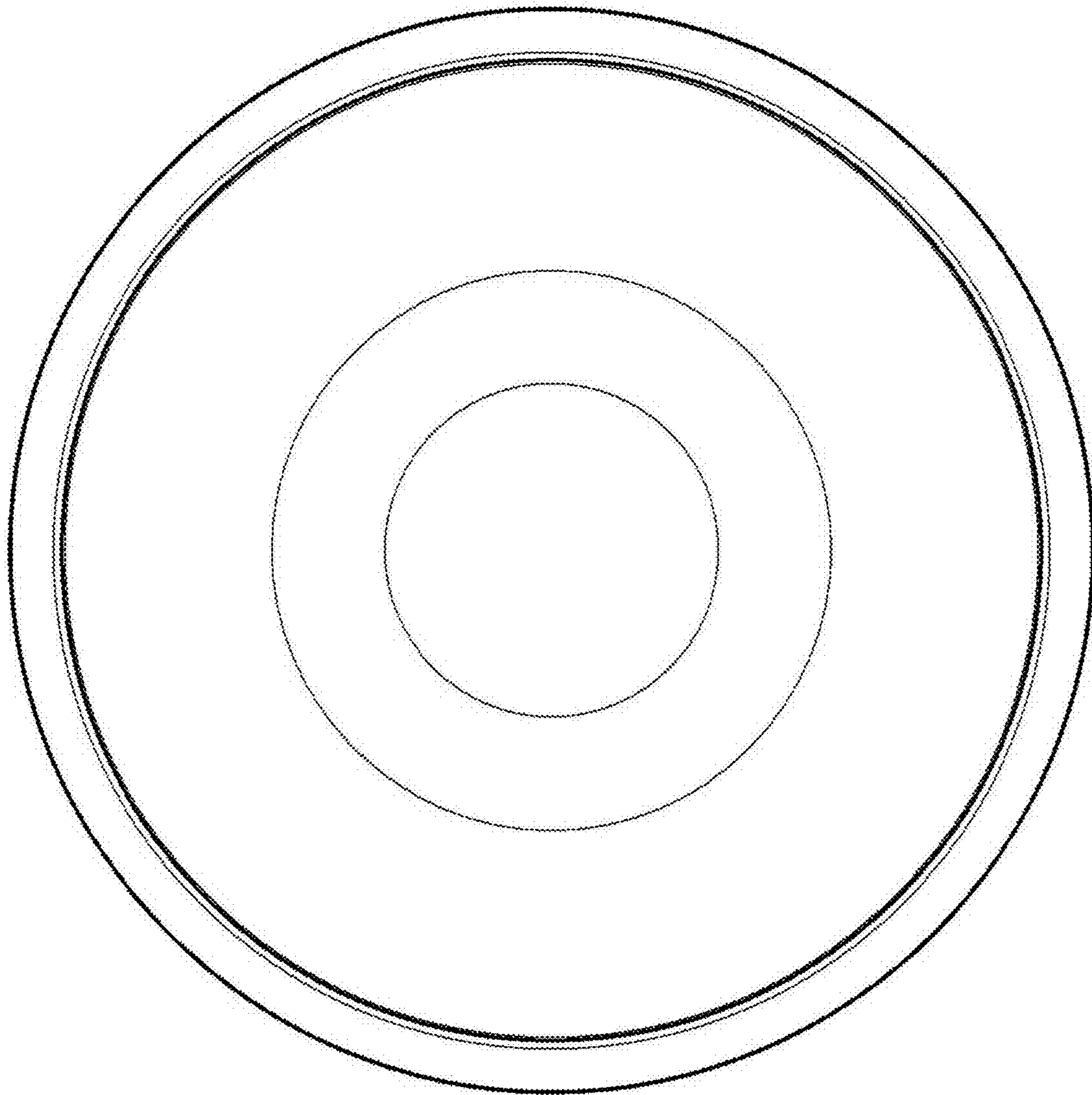


1.5





1.6



1.7

