



US00D811092S

(12) **United States Design Patent**
Akashi et al.

(10) **Patent No.:** **US D811,092 S**

(45) **Date of Patent:** **** Feb. 27, 2018**

- (54) **WHEEL BRUSH**
- (71) Applicants: **TAIMEI CHEMICALS CO., LTD.**,
Nagano (JP); **XEBEC**
TECHNOLOGY CO., LTD., Tokyo
(JP)
- (72) Inventors: **Mitsuhisa Akashi**, Nagano (JP); **Koji**
Sato, Tokyo (JP)
- (73) Assignees: **TAIMEI CHEMICALS CO., LTD.**,
Nagano (JP); **XEBEC**
TECHNOLOGY CO., LTD., Tokyo
(JP)

- (**) Term: **15 Years**
- (21) Appl. No.: **29/577,189**
- (22) Filed: **Sep. 9, 2016**

(30) **Foreign Application Priority Data**

Jul. 15, 2016 (JP) D2016-15259

(51) **LOC (11) Cl.** **04-02**

(52) **U.S. Cl.**
USPC **D4/102**

(58) **Field of Classification Search**
USPC D4/104, 105, 109, 110, 111, 113, 114,
D4/115, 116, 117, 118, 119, 120, 121,
D4/127, 128, 129, 130, 131, 132, 133,
D4/134, 135, 136, 137, 138, 199;
D32/25, 32, 33, 39, 40, 41, 42
CPC A61C 3/005; A61C 9/002; A61C 3/03;
A46B 5/02; A46B 9/02; A46B 2200/30;
A46B 2200/1066; A46B 9/10; A46B
13/001; A46B 13/008; A46B 2200/3046;
A46B 2200/3086; A46B 2200/3093
See application file for complete search history.

(56) **References Cited**

U.S. PATENT DOCUMENTS

727,256 A * 5/1903 Atwater A46B 13/001
15/179

2,790,985 A * 5/1957 Harlan A46B 13/001
15/183
2,879,534 A * 3/1959 Swanson A46B 13/001
15/179
3,584,328 A * 6/1971 Lechene et al. A46B 13/02
15/179
D369,447 S * 4/1996 Mann D32/19
D378,003 S * 2/1997 Eichinger D32/25
D378,004 S * 2/1997 Wilson D32/25
6,001,448 A * 12/1999 Zigerlig A46B 13/001
428/67
6,309,291 B1 * 10/2001 Cox A46B 13/001
15/179
6,312,257 B1 * 11/2001 Aschmann A46B 13/001
15/167.1
D455,012 S * 4/2002 Perez D4/105
6,490,750 B2 * 12/2002 Shia A46B 13/001
15/179

(Continued)

Primary Examiner — Karen E Eldridge Powers

(57) **CLAIM**

The ornamental design for a wheel brush, as shown and described.

DESCRIPTION

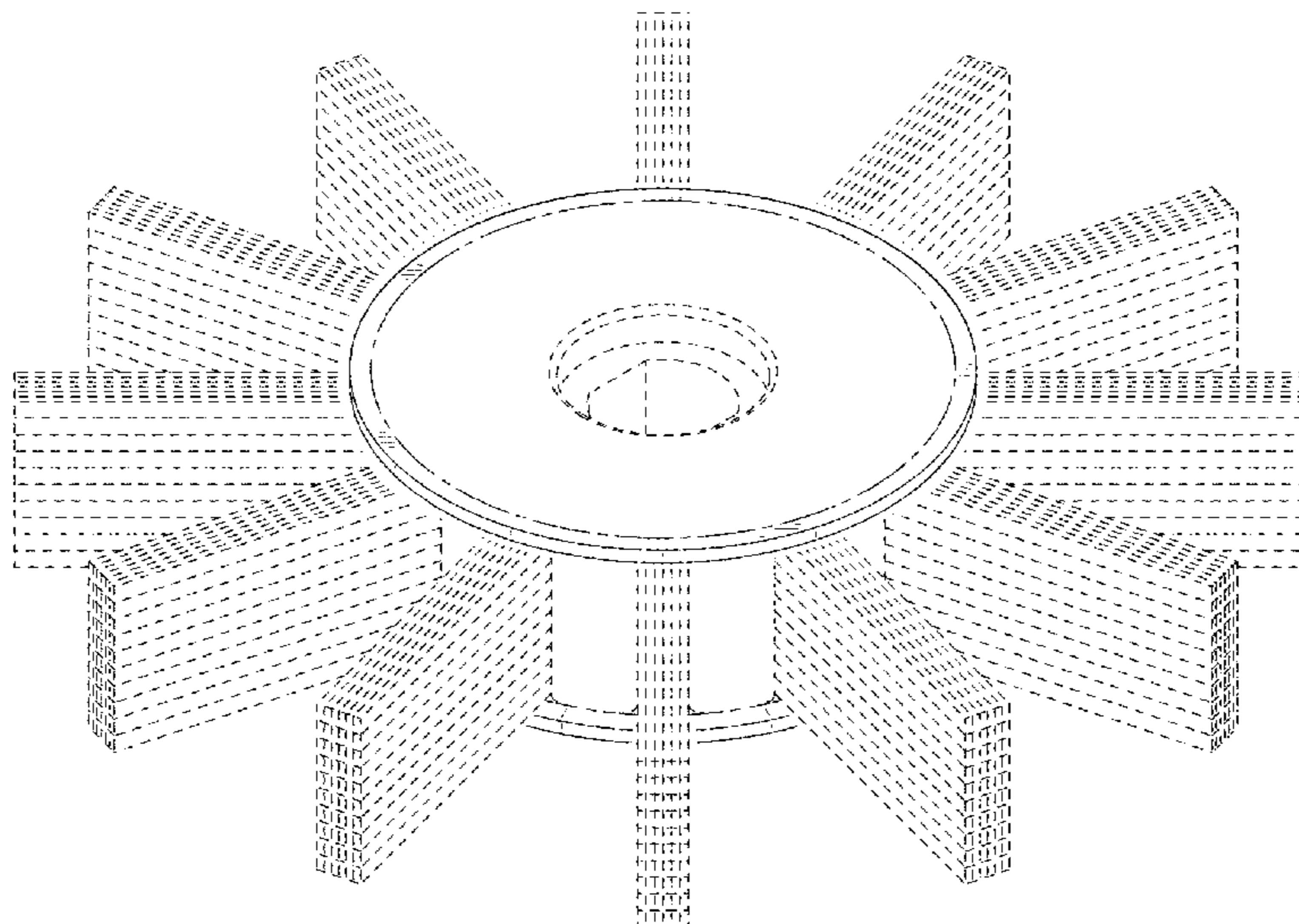
FIG. 1 is a front elevational view of a wheel brush showing our new design, a rear elevational view, a left side elevational view and a right side elevational view thereof being the same as the front elevational view thereof;

FIG. 2 is a top plan view thereof, a bottom plan view thereof being a mirror image of the top plan view thereof, wherein a line 4-4 is shown; and

FIG. 3 is a perspective view thereof; and,
FIG. 4 is a cross sectional view thereof taken along the line 4-4 shown in FIG. 2.

The elements shown in broken lines are included for the purpose of illustrating environment and form no part of the claimed design. The dot-dash line in FIGS. 2 and 3 illustrates a boundary between claimed and unclaimed subject matter, and forms no part of the claimed design.

1 Claim, 4 Drawing Sheets



(56)

References Cited

U.S. PATENT DOCUMENTS

D527,186 S * 8/2006 Ma D4/102
D536,176 S * 2/2007 Ramirez D32/50
D546,066 S * 7/2007 Rothman D4/102
7,434,289 B2 * 10/2008 Sumiyoshi A46B 13/008
15/179
7,743,683 B2 * 6/2010 Dayton B25F 3/00
173/216
8,393,044 B2 * 3/2013 Favagrossa B60S 3/06
15/230.16
8,495,786 B2 * 7/2013 Naftal A46B 3/00
15/176.6
D687,636 S * 8/2013 Driesen D4/101
D734,614 S * 7/2015 Driesen D4/101
9,199,613 B2 * 12/2015 Belanger A46B 13/001
9,499,136 B2 * 11/2016 Belanger F21V 33/00
9,668,569 B2 * 6/2017 Trasforini A46D 1/0207
2010/0041324 A1 * 2/2010 Shinoda B24B 29/005
451/466
2010/0154153 A1 * 6/2010 Hooper A46L 33/10
15/104.05
2010/0190132 A1 * 7/2010 Taylor A61C 3/005
433/80
2016/0016293 A1 * 1/2016 Matsushita A46D 1/00
451/532
2017/0203736 A1 * 7/2017 Belanger A46B 7/10
2017/0238691 A1 * 8/2017 Stewart A46B 13/02

* cited by examiner

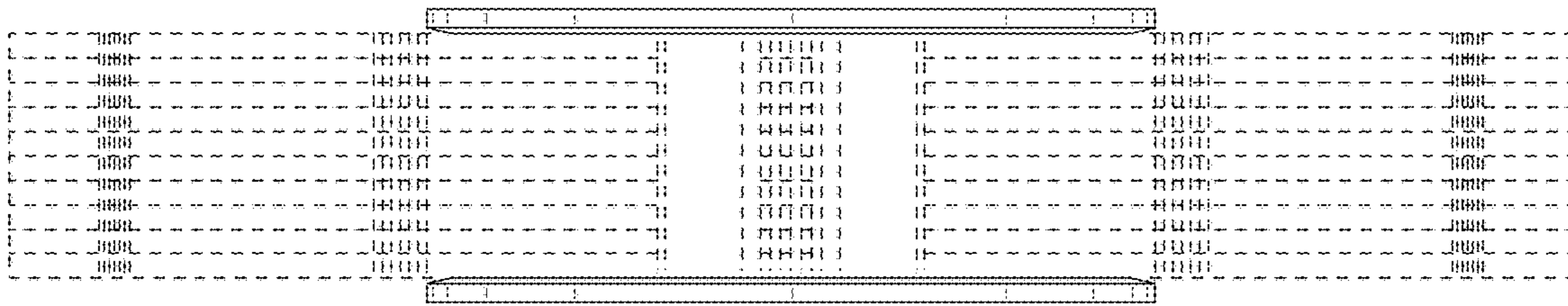


FIG. 1

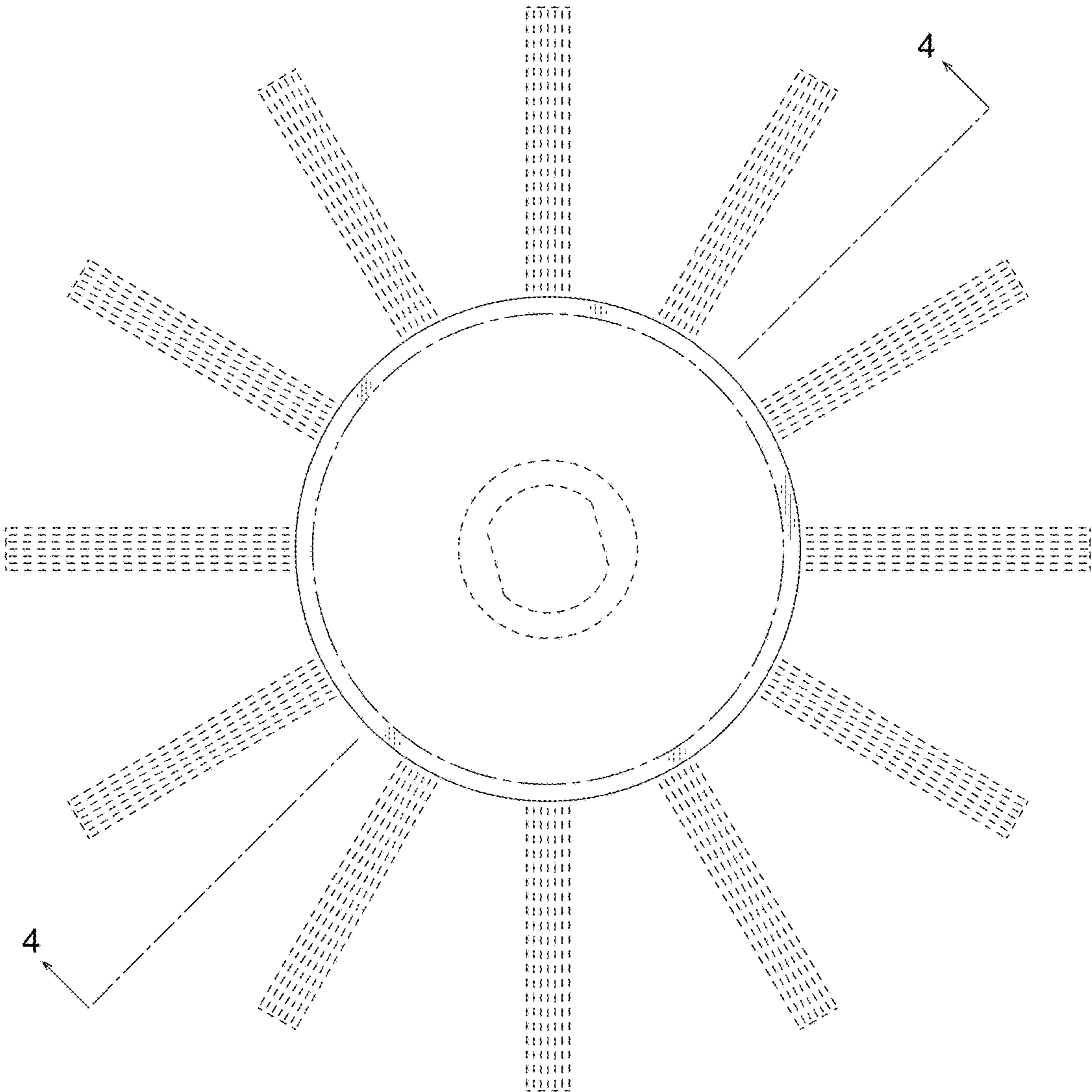


FIG. 2

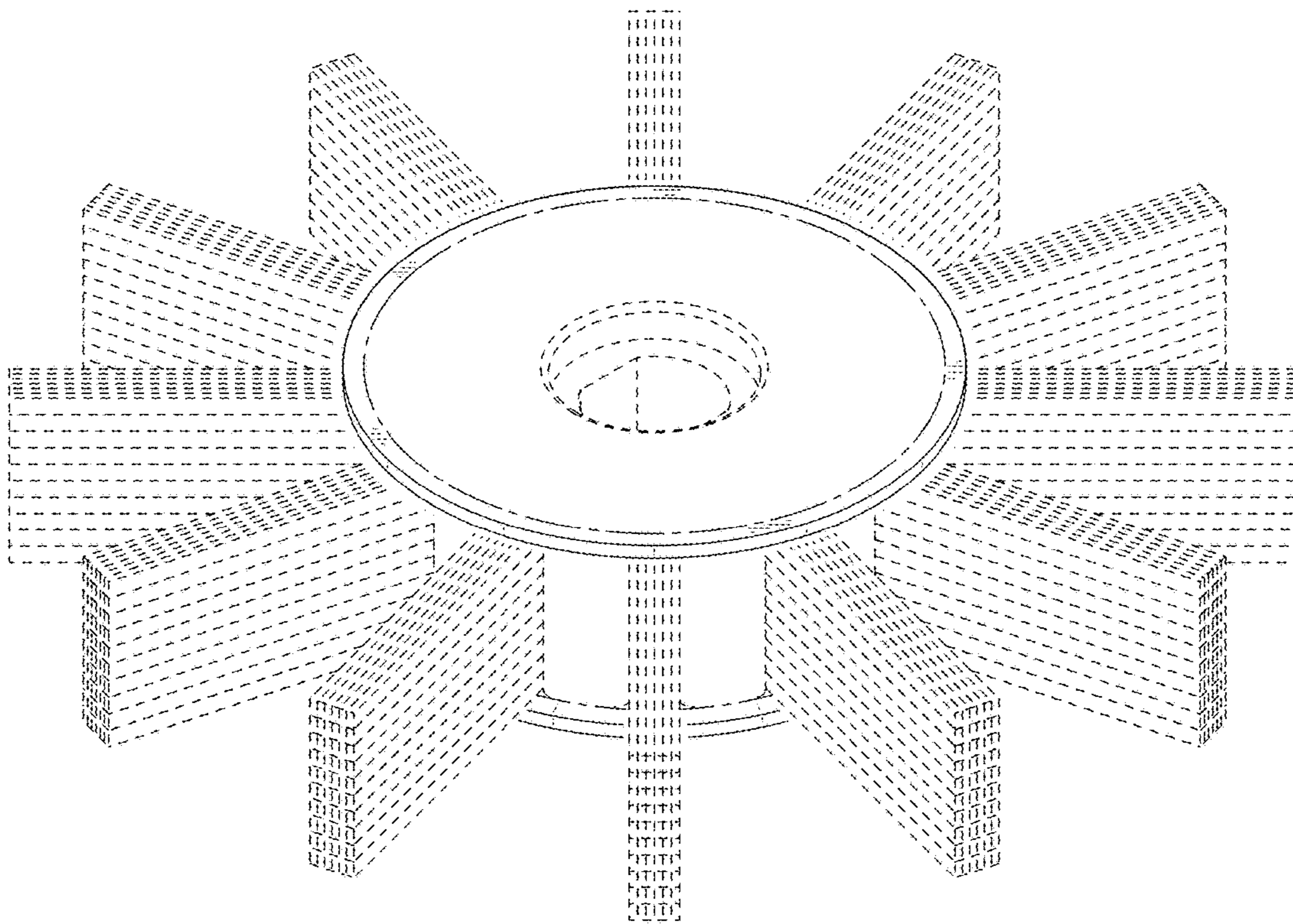


FIG. 3

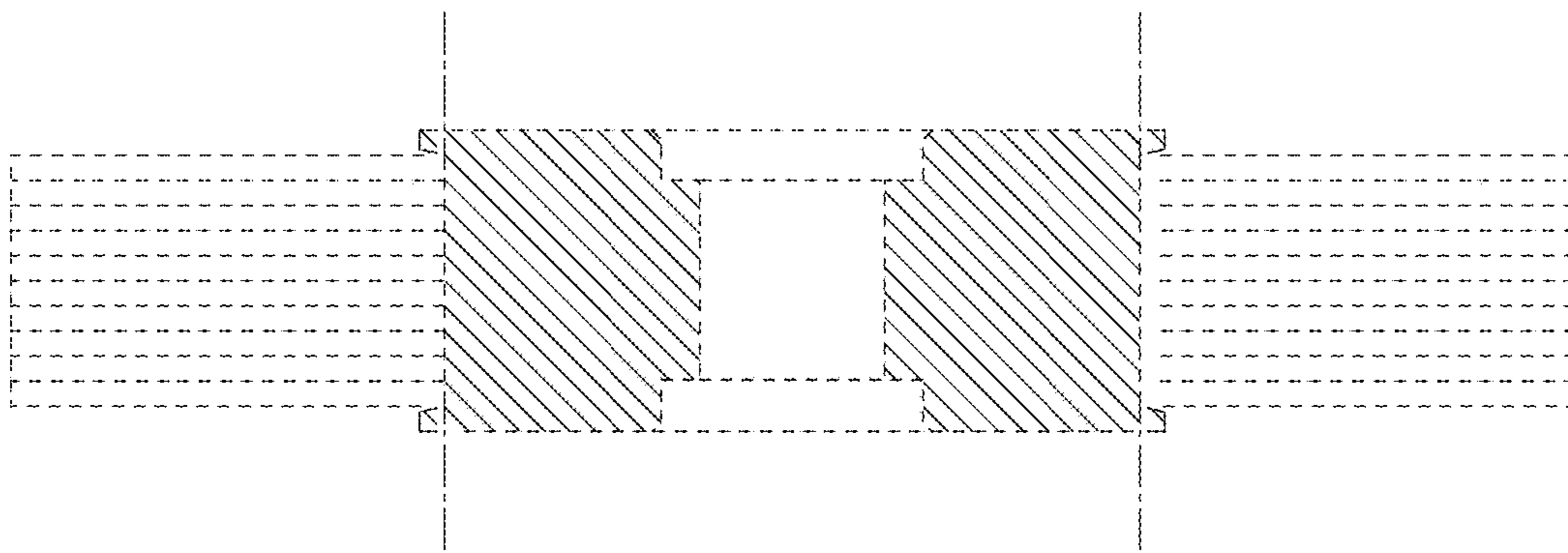


FIG. 4