



US00D811089S

(12) **United States Design Patent** (10) **Patent No.:** **US D811,089 S**
Jose (45) **Date of Patent:** **** *Feb. 27, 2018**

- (54) **FOLDOUT TRAY**
- (71) Applicant: **Boban Jose**, San Ramon, CA (US)
- (72) Inventor: **Boban Jose**, San Ramon, CA (US)
- (*) Notice: This patent is subject to a terminal disclaimer.
- (**) Term: **15 Years**
- (21) Appl. No.: **29/528,077**
- (22) Filed: **May 26, 2015**
- (51) **LOC (11) Cl.** **03-01**
- (52) **U.S. Cl.**
USPC **D3/318**
- (58) **Field of Classification Search**
USPC D3/318; D14/474
CPC A45C 5/15; A45C 5/10
See application file for complete search history.

- D684,984 S * 6/2013 Meadows D14/474
- 8,528,918 B2 * 9/2013 Macias B62B 3/02
280/47.35
- 9,157,567 B1 * 10/2015 Calabrese F16M 11/04
- 9,277,796 B1 * 3/2016 Elam A45C 9/00

* cited by examiner

Primary Examiner — Holly Baynham
(74) *Attorney, Agent, or Firm* — Law Office of Ilya Libenzon

(57) **CLAIM**

What is claimed is the ornamental design for a foldout tray, as shown and described.

DESCRIPTION

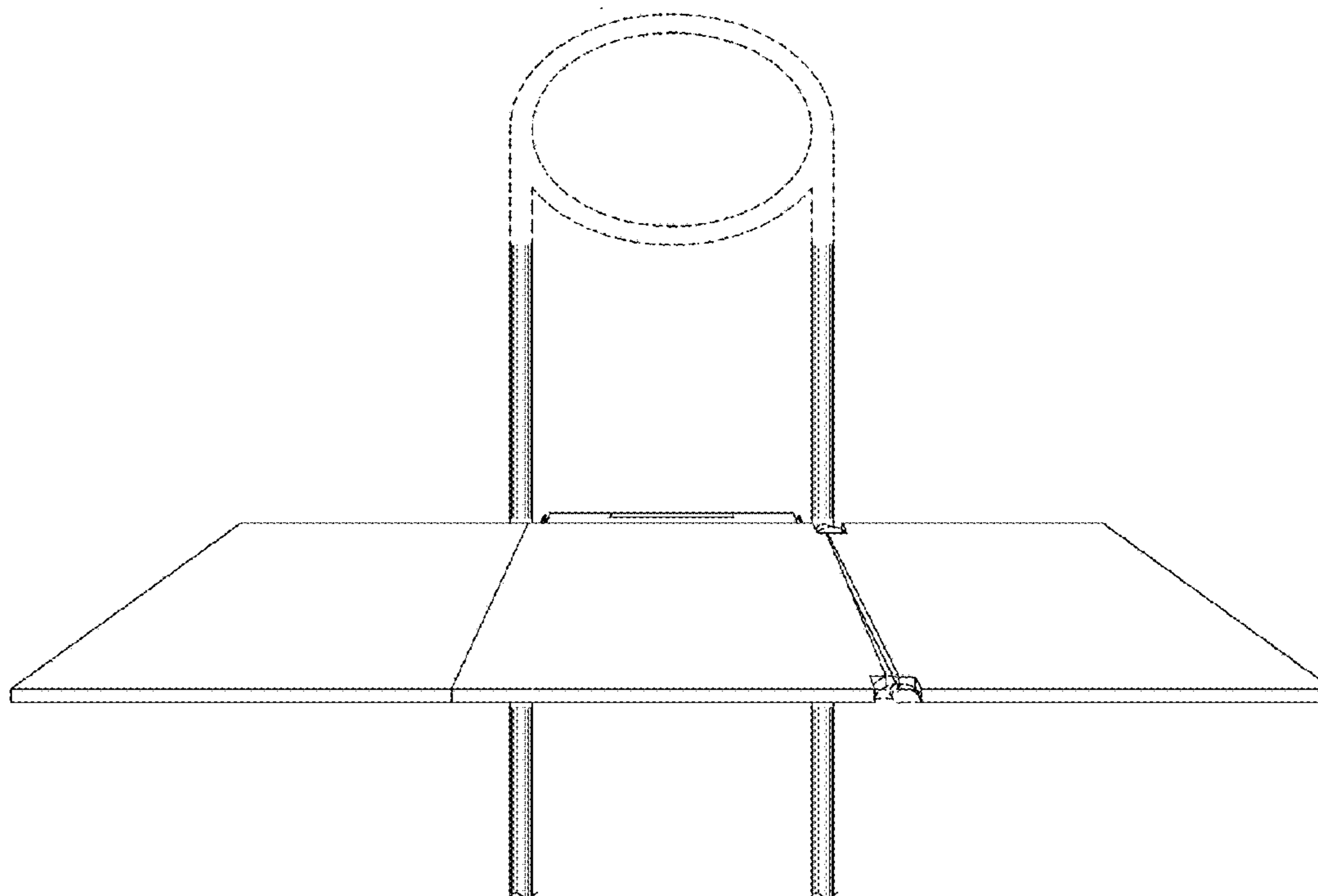
FIG. 1 is a perspective view of the foldout tray according to the present invention;
FIG. 2 is a top view of the foldout tray according to the present invention;
FIG. 3 is a bottom view of the foldout tray according to the present invention;
FIG. 4 is a front view of the foldout tray according to the present invention;
FIG. 5 is a rear view of the foldout tray according to the present invention.
FIG. 6 is a side view of the foldout tray according to the present invention; and,
FIG. 7 is a view of the opposite side of the foldout tray according to the present invention.

1 Claim, 7 Drawing Sheets

(56) **References Cited**

U.S. PATENT DOCUMENTS

- 6,439,134 B1 * 8/2002 Ryburg A45C 7/00
108/42
- 6,736,073 B2 * 5/2004 Ryburg A45C 7/00
108/42
- 7,040,635 B1 * 5/2006 Remole A47C 7/002
248/129
- 7,445,216 B1 * 11/2008 Chou B62B 1/142
280/40
- 7,946,609 B2 * 5/2011 Johnson A45C 5/14
280/47.19



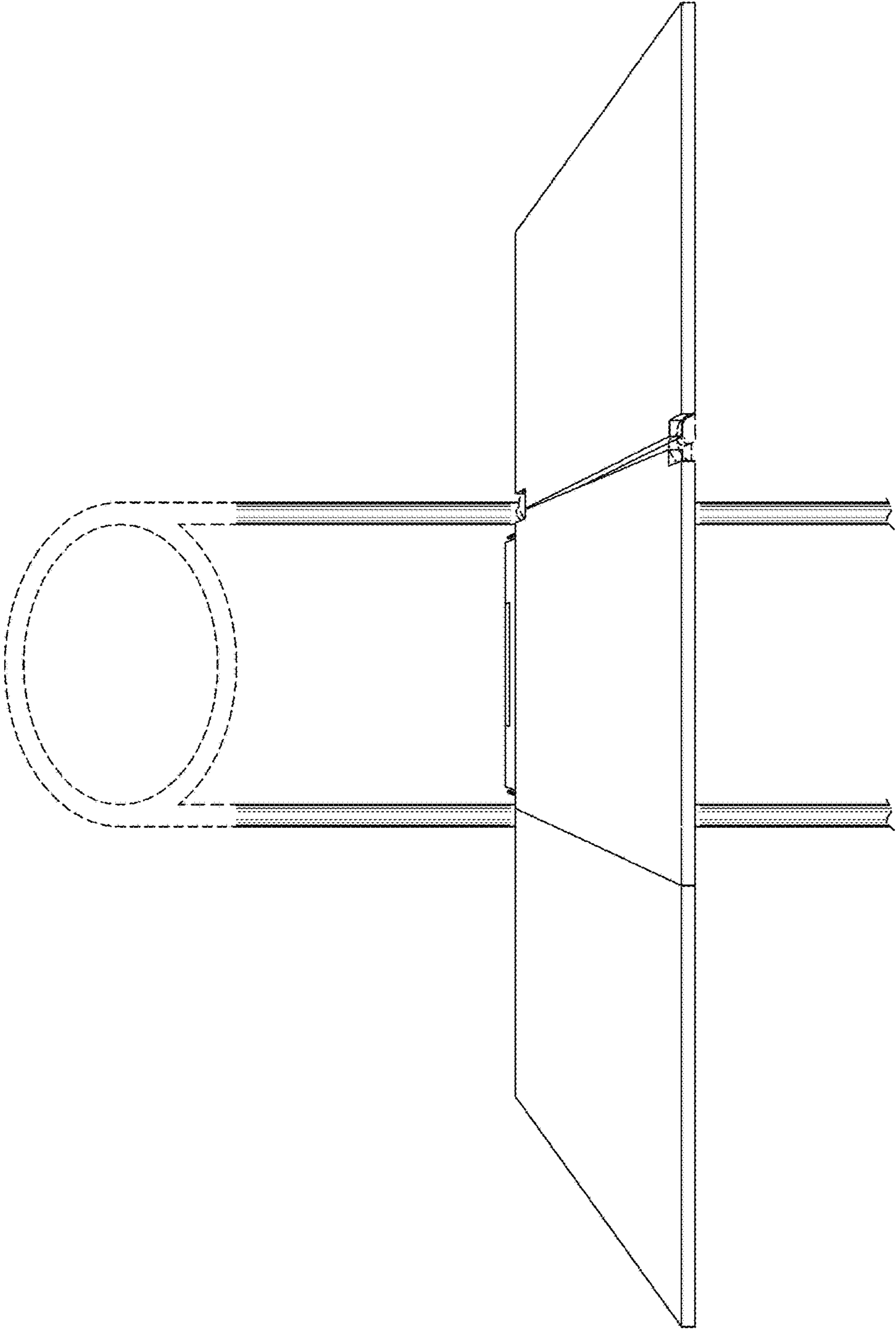


FIG. 1

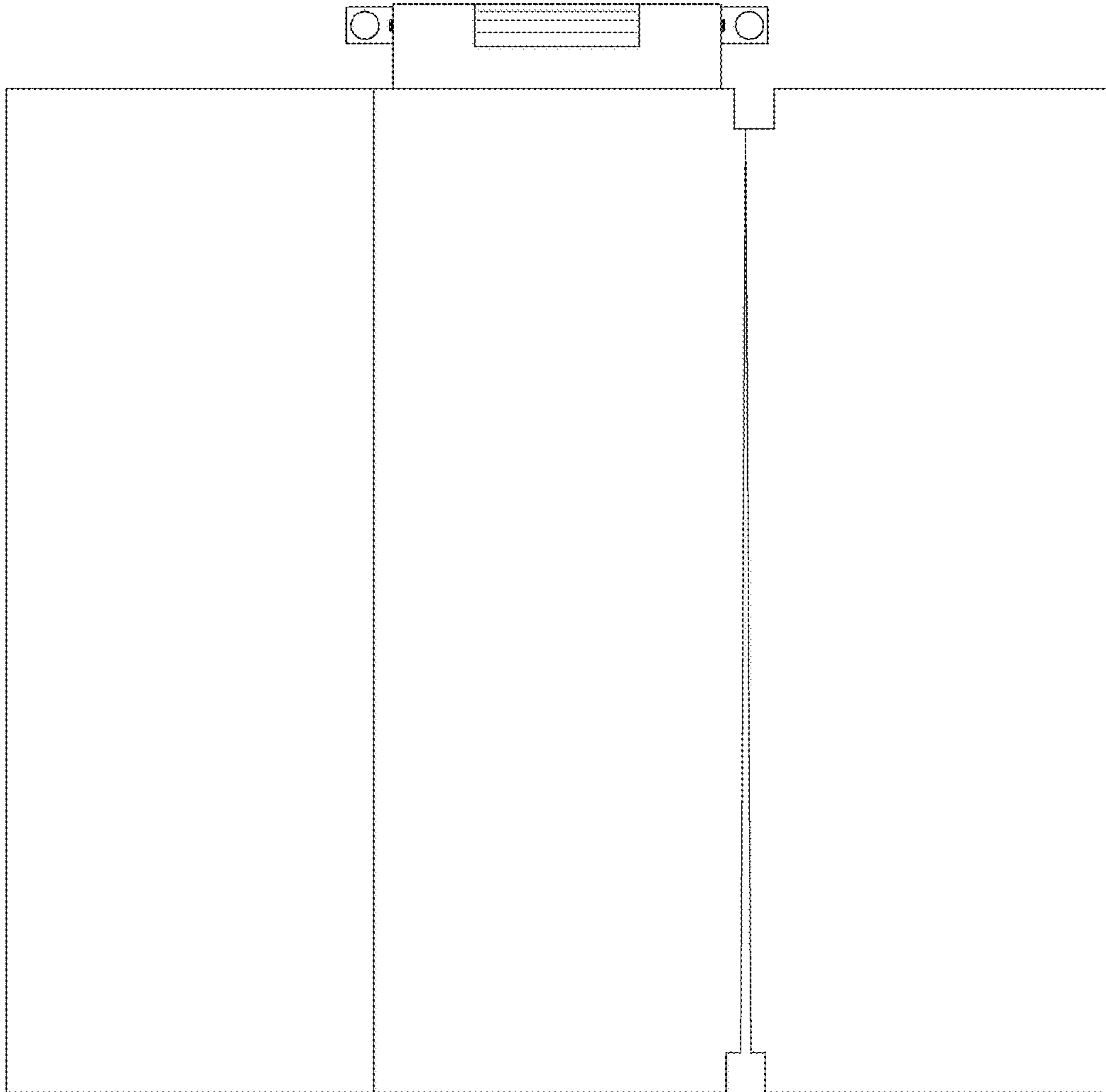


FIG. 2

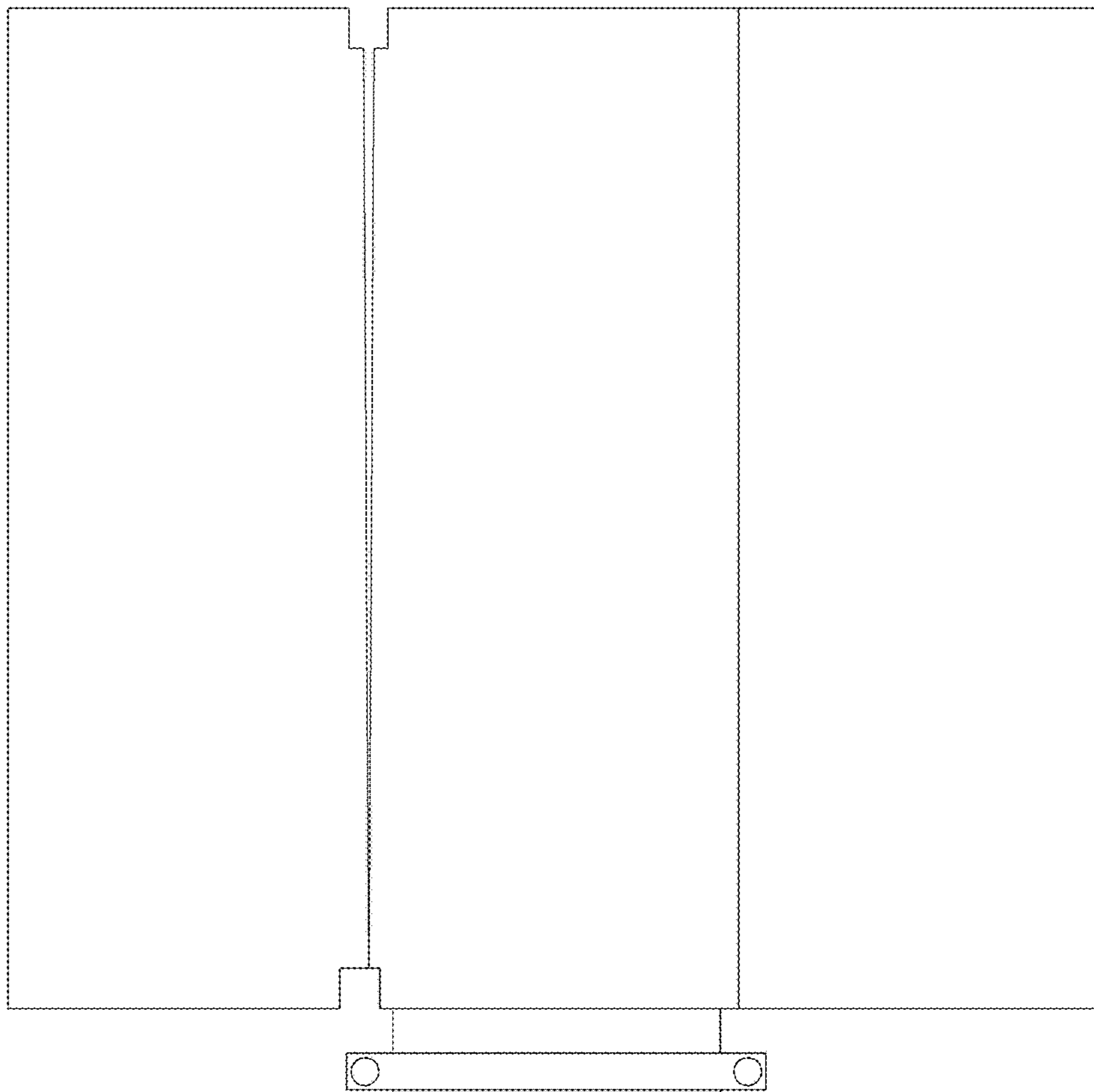


FIG. 3

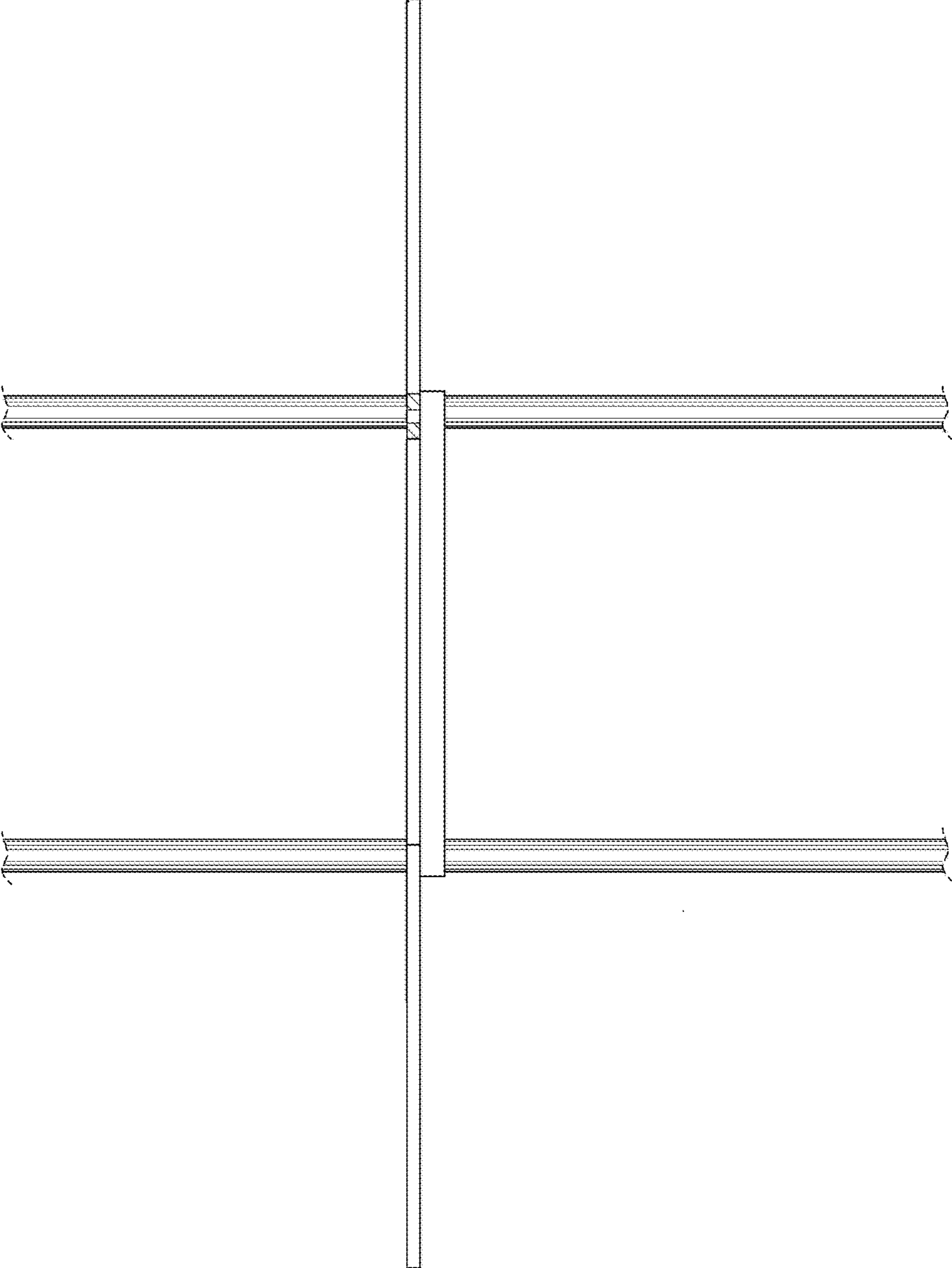


FIG. 4

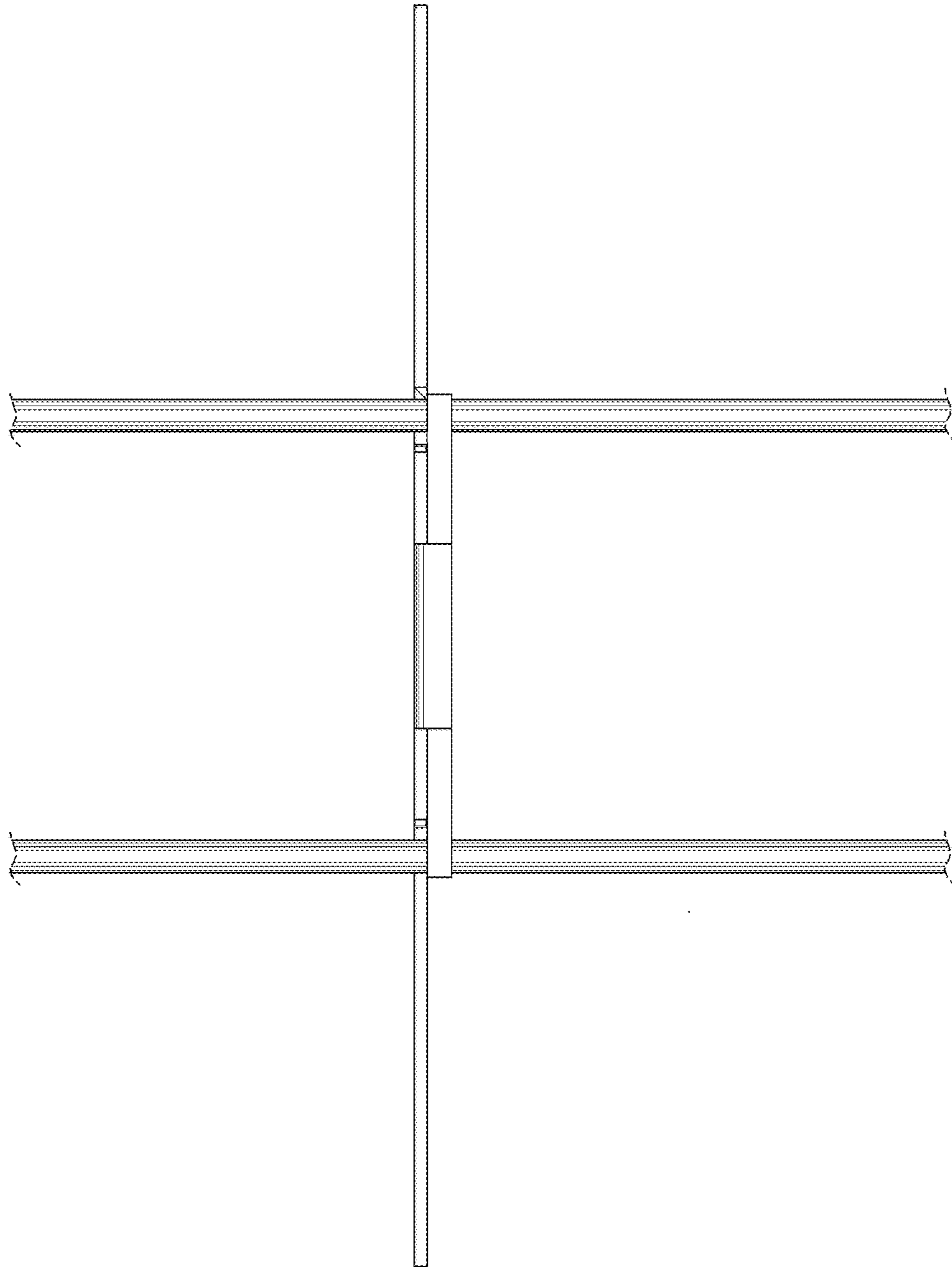


FIG. 5

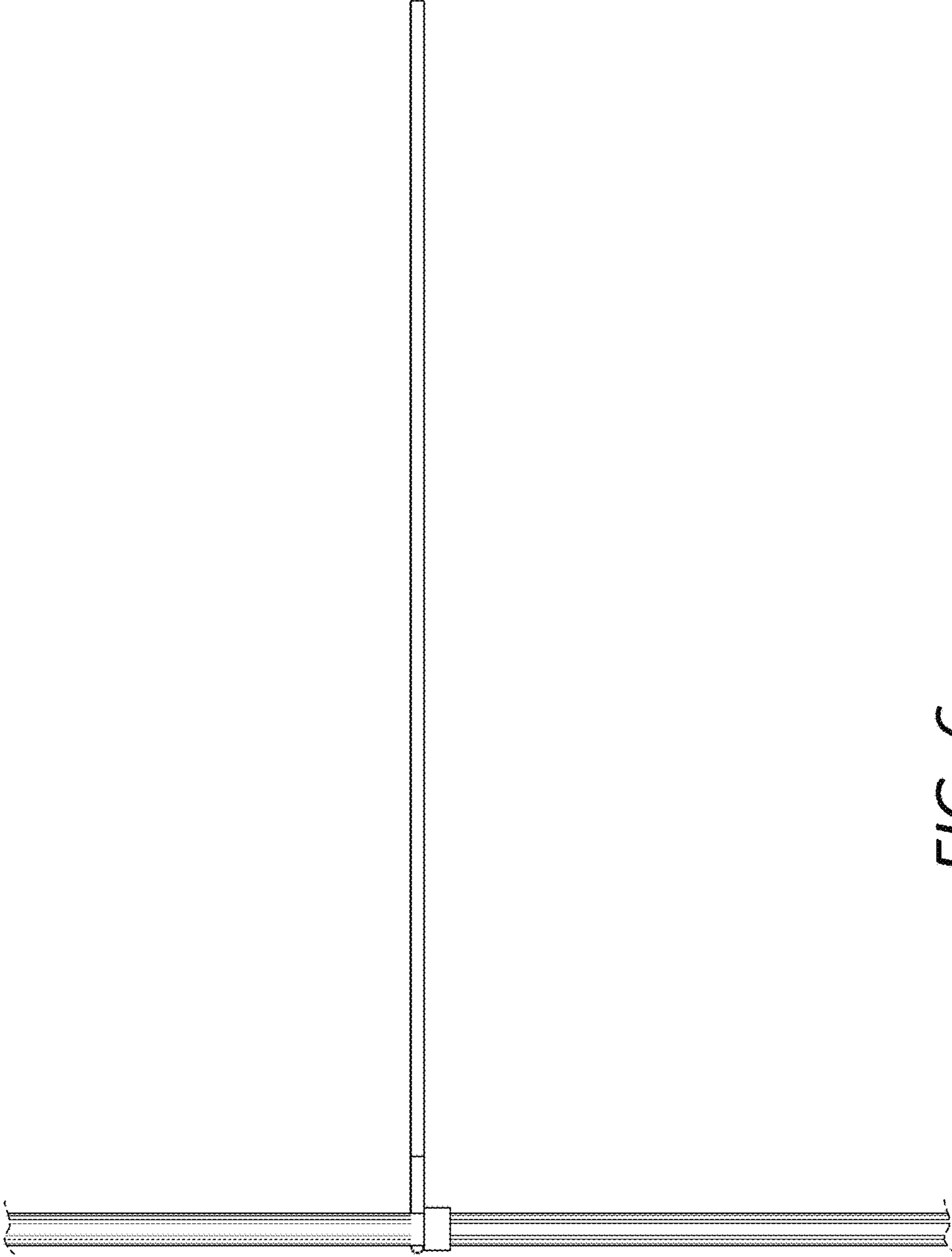


FIG. 6

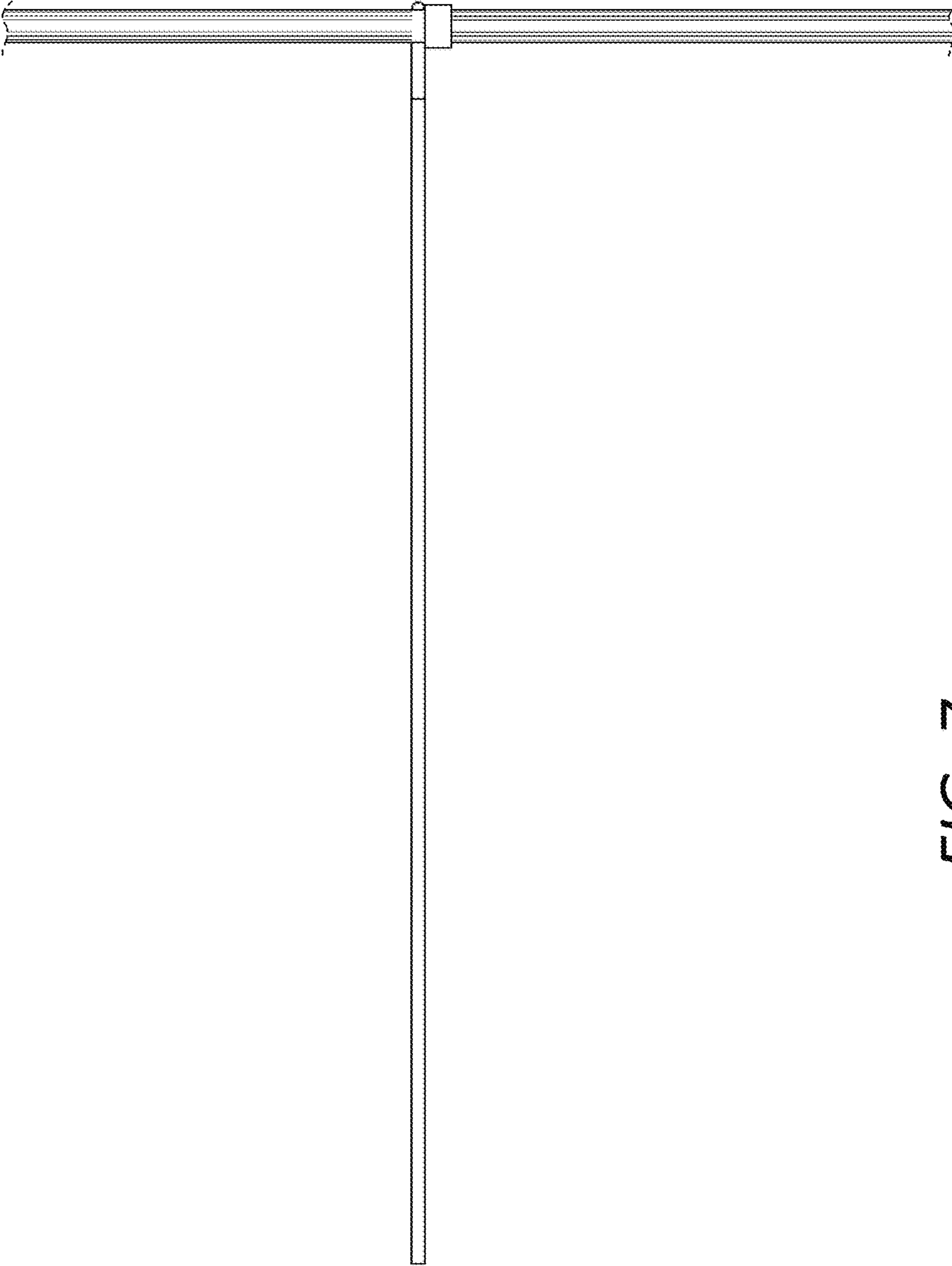


FIG. 7