



US00D811087S

(12) **United States Design Patent**  
**Yoshioka**

(10) **Patent No.:** **US D811,087 S**

(45) **Date of Patent:** **\*\* Feb. 27, 2018**

(54) **BASKET FOR STORAGE**

(71) Applicant: **Panasonic Intellectual Property Management Co., Ltd., Osaka (JP)**

(72) Inventor: **Masaya Yoshioka, Osaka (JP)**

(73) Assignee: **Panasonic Intellectual Property Management Co., Ltd., Osaka (JP)**

(\*\*) Term: **15 Years**

(21) Appl. No.: **29/591,053**

(22) Filed: **Jan. 16, 2017**

(30) **Foreign Application Priority Data**

Jul. 22, 2016 (JP) ..... 2016-015625

(51) **LOC (11) Cl.** ..... **03-01**

(52) **U.S. Cl.**  
USPC ..... **D3/306**

(58) **Field of Classification Search**  
USPC ..... D3/304-307, 314-315; D6/511,  
D6/566-567, 572-574, 540, 672-673,  
D6/678, 678.4  
CPC ..... A47B 73/002; A47B 73/00; A47B 47/008;  
A47B 47/0058; A47F 5/00; A47F 5/0056;  
B65D 21/0211

See application file for complete search history.

(56) **References Cited**

**U.S. PATENT DOCUMENTS**

D444,014 S \* 6/2001 Ferrer Beltran ..... D6/537  
D444,333 S \* 7/2001 Ferrer Beltran ..... D6/537

D520,701 S \* 5/2006 Plikuhn ..... D32/55  
D526,454 S \* 8/2006 Plikuhn ..... D3/306  
D555,943 S \* 11/2007 Butler ..... D3/306  
D616,255 S \* 5/2010 Goodman ..... D7/601  
D703,491 S \* 4/2014 Goodman ..... D7/601  
D747,158 S \* 1/2016 Goodman ..... D7/631  
D786,557 S \* 5/2017 Goodman ..... D3/306

**FOREIGN PATENT DOCUMENTS**

JP D1178436 7/2003

\* cited by examiner

*Primary Examiner* — Kelley Donnelly

(74) *Attorney, Agent, or Firm* — Panasonic IP Management; Kerry S. Culpepper

(57) **CLAIM**

I claim the ornamental design for a basket for storage, as shown and described.

**DESCRIPTION**

FIG. 1 is a front perspective view of a basket for storage of the present invention;  
FIG. 2 is a front view thereof;  
FIG. 3 is a rear view thereof;  
FIG. 4 is a first side view thereof;  
FIG. 5 is a second side view thereof;  
FIG. 6 is a top view thereof;  
FIG. 7 is a bottom view thereof; and,  
FIG. 8 is an enlarged cross-sectional view taken along the line 8-8 in FIG. 2 thereof.

**1 Claim, 8 Drawing Sheets**

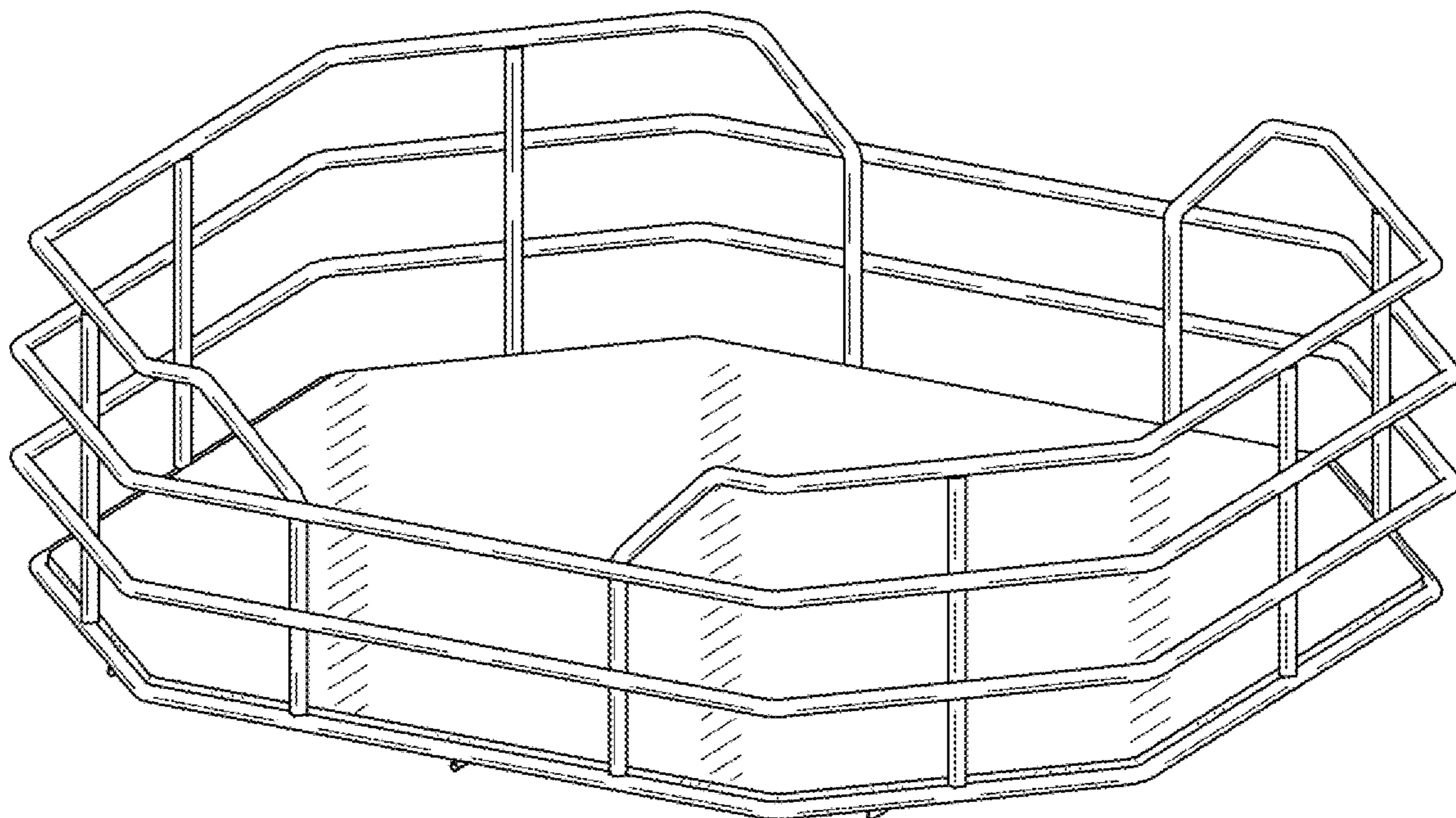


FIG. 1

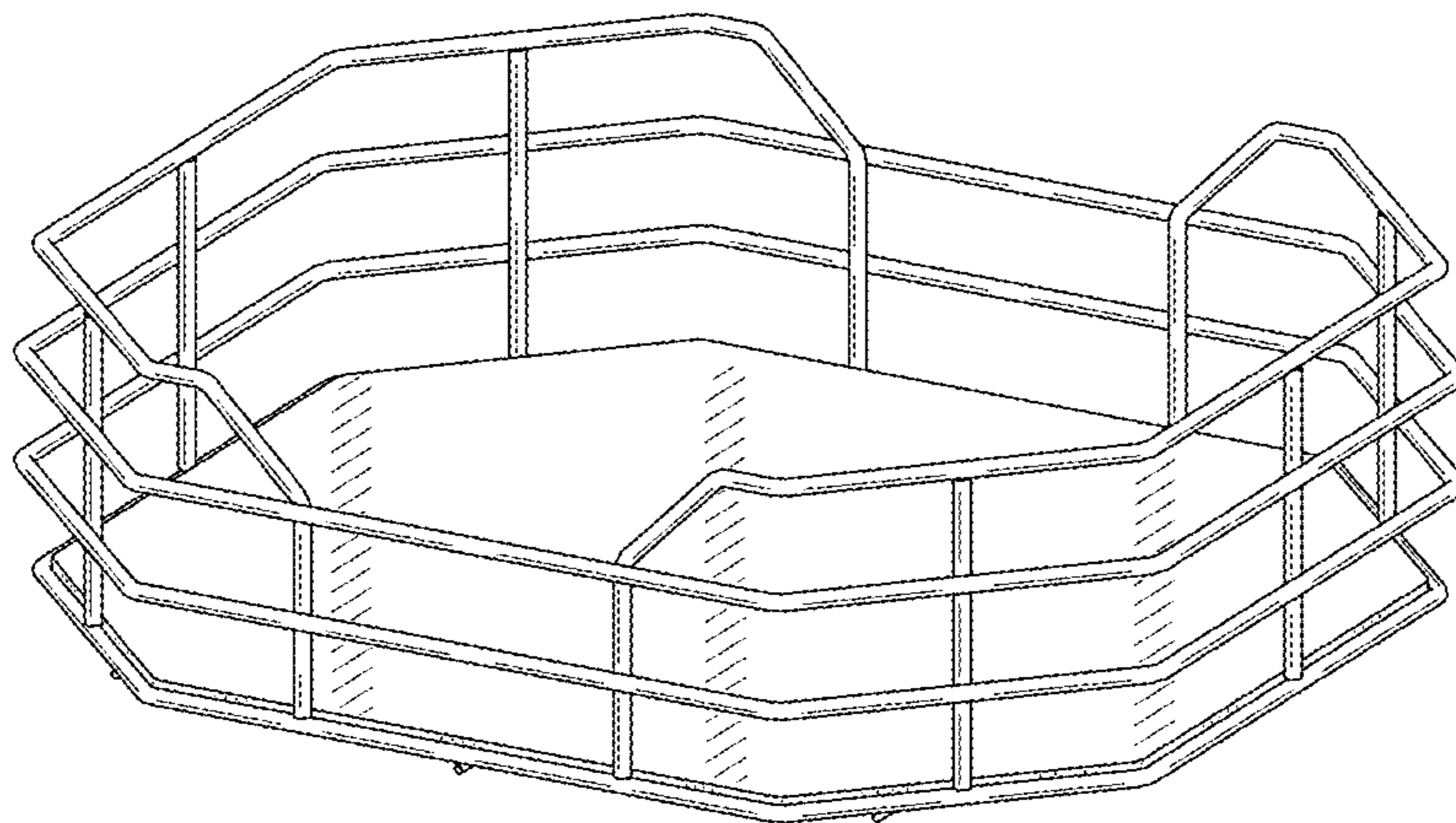


FIG. 2

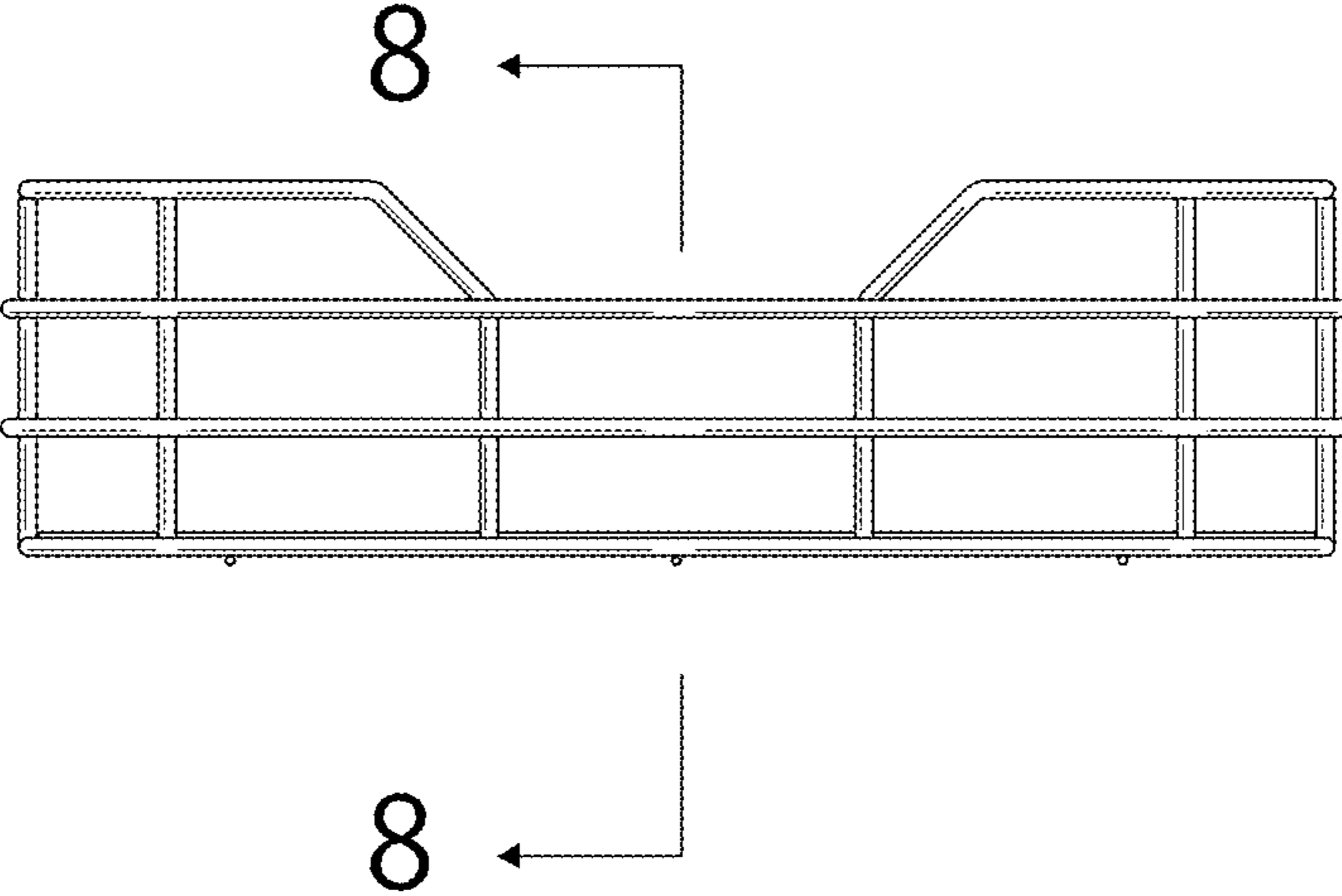


FIG. 3

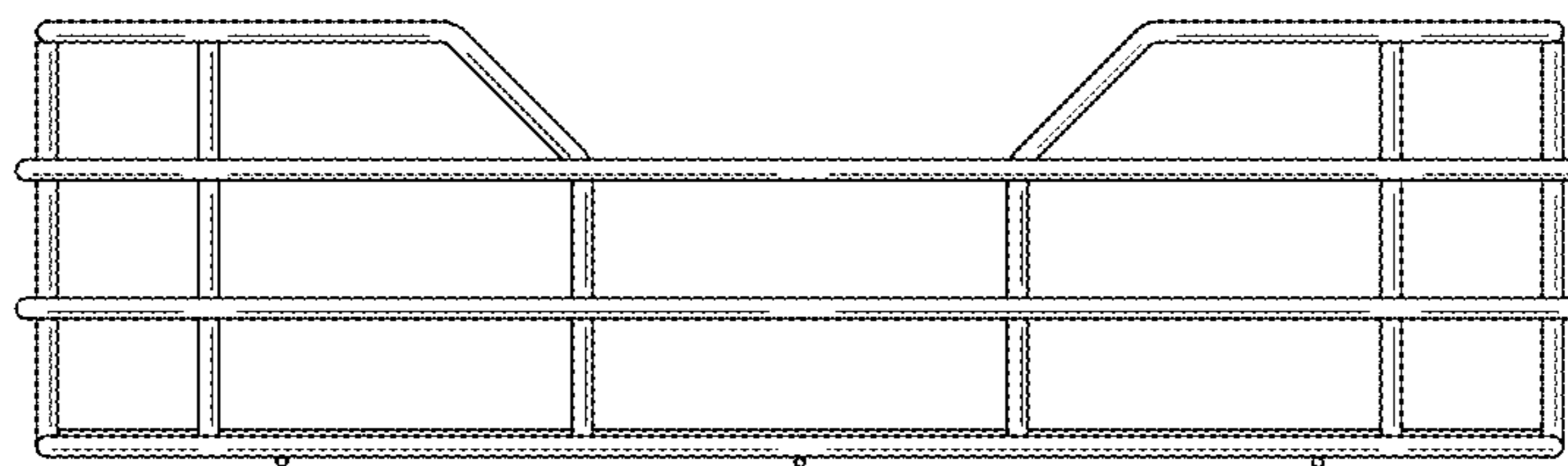


FIG. 4

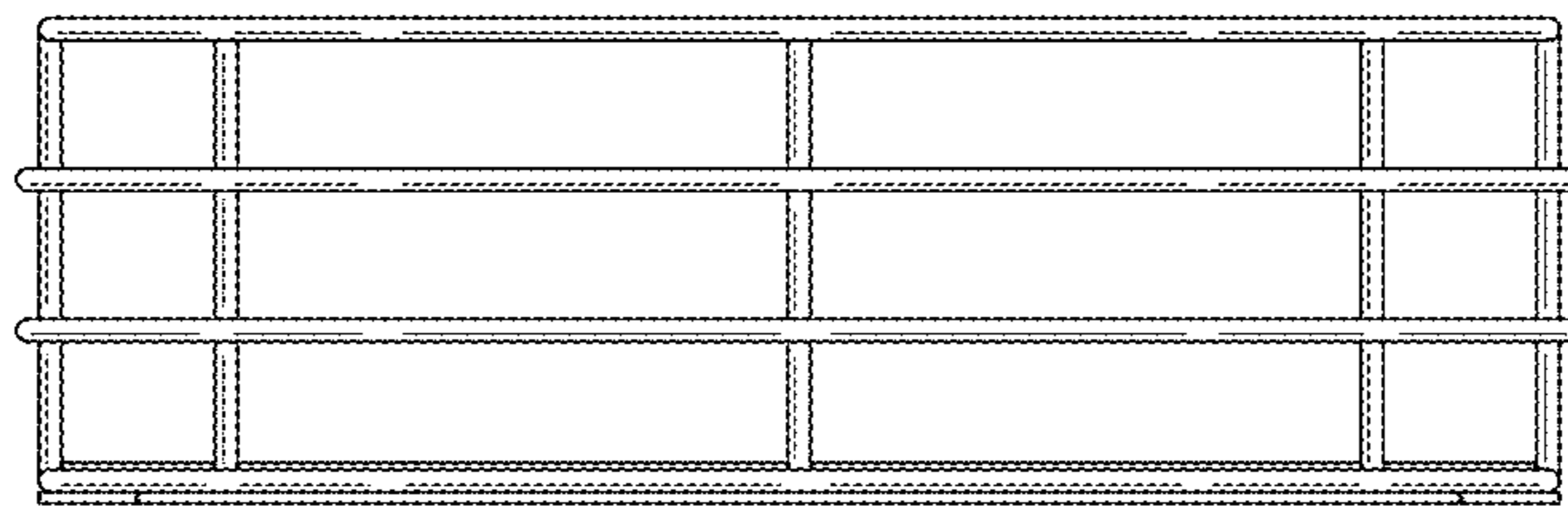


FIG. 5

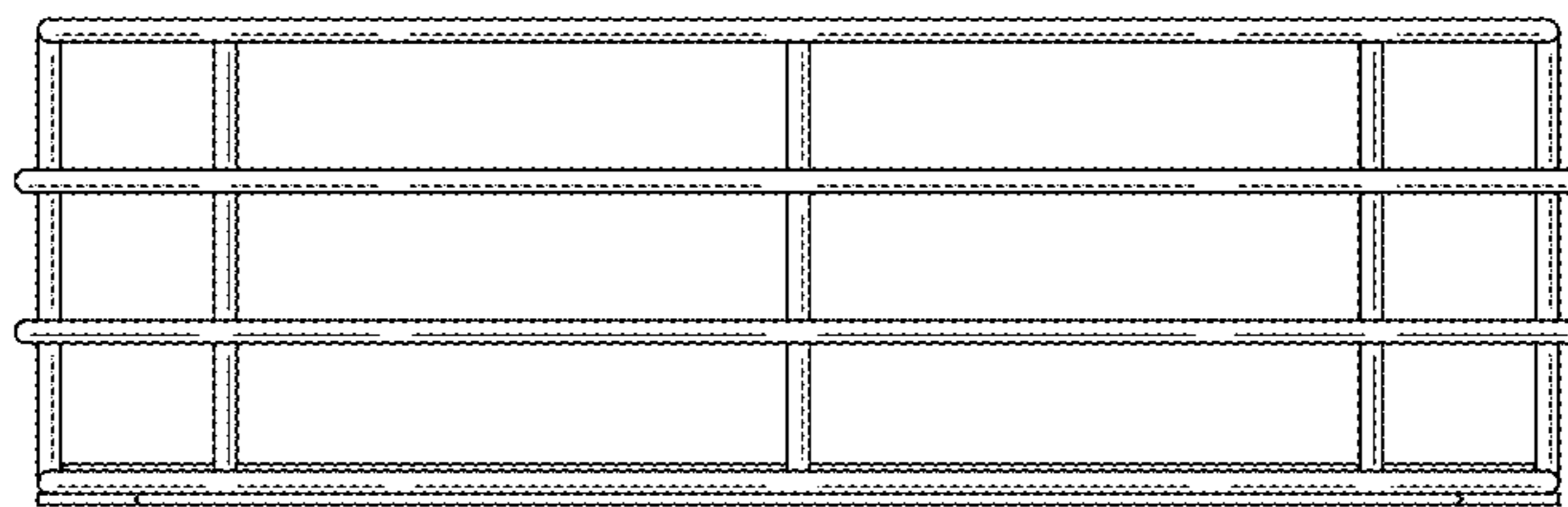


FIG. 6

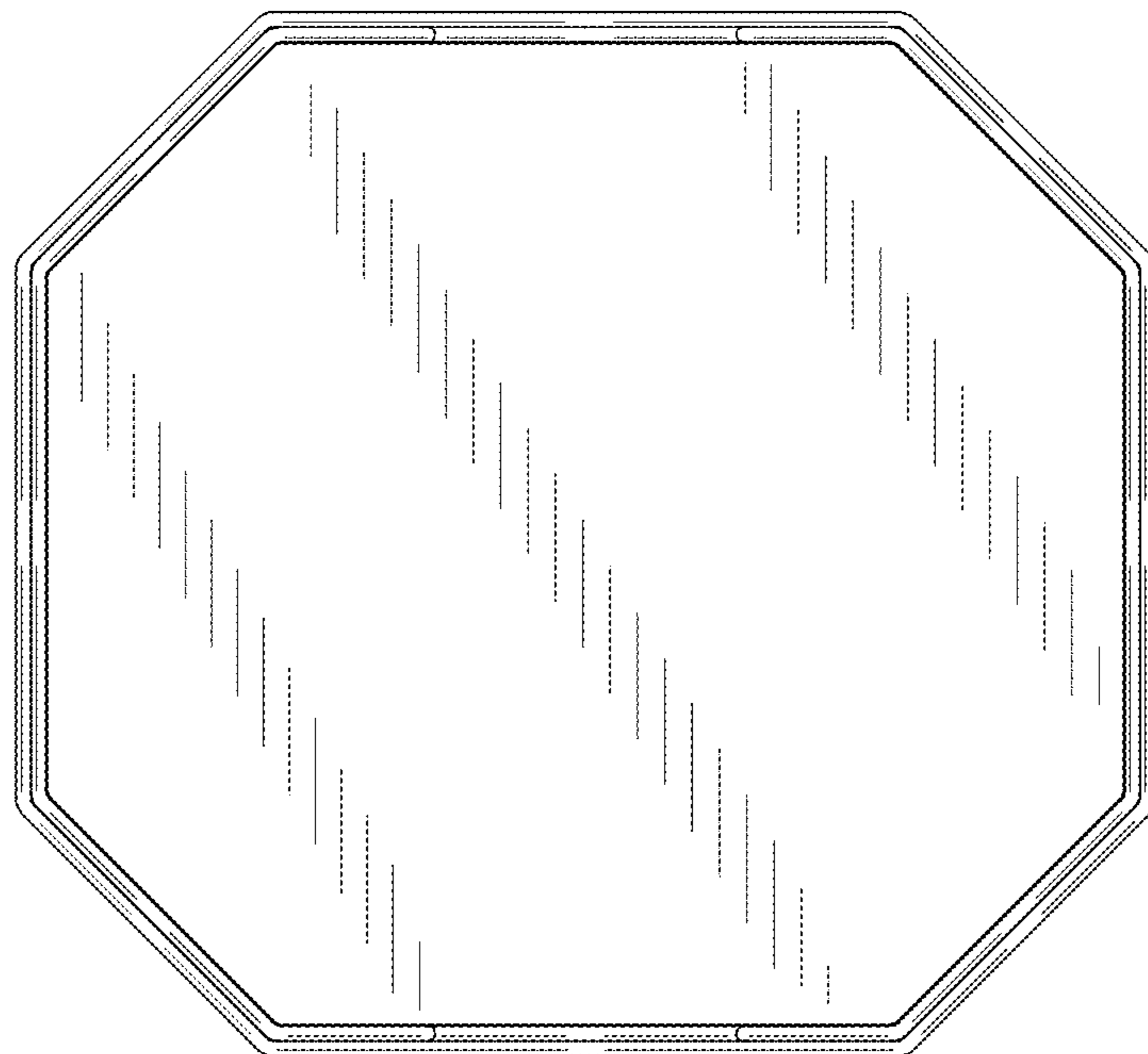


FIG. 7

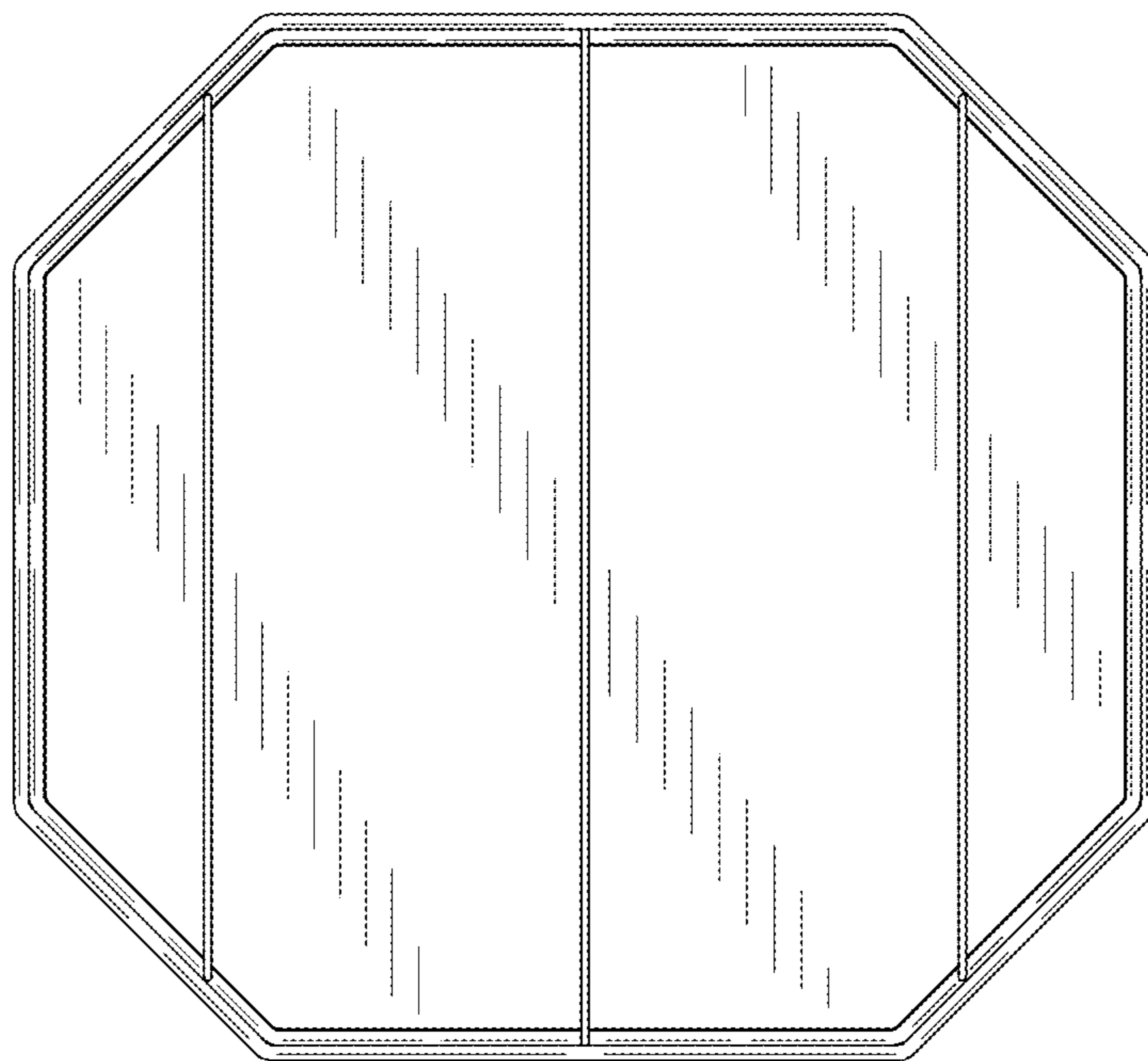




FIG. 8

