



US00D811086S

(12) **United States Design Patent**
Grund et al.

(10) **Patent No.:** **US D811,086 S**
(45) **Date of Patent:** **** Feb. 27, 2018**

- (54) **MAKEUP ORGANIZER BAG**
- (71) Applicant: **And.B, LLC**, New York, NY (US)
- (72) Inventors: **Bobbie Lynn Grund**, New York, NY (US); **Andrea DeVos Abraham**, New York, NY (US)
- (73) Assignee: **And.B, LLC**, New York, NY (US)
- (**) Term: **15 Years**
- (21) Appl. No.: **29/547,790**
- (22) Filed: **Dec. 8, 2015**
- (51) **LOC (11) Cl.** **03-01**
- (52) **U.S. Cl.**
USPC **D3/301; D3/901**
- (58) **Field of Classification Search**
USPC D3/201, 205, 242, 273, 274, 275, 276, D3/279, 281, 282, 283, 284, 289, 292, D3/294, 295, 296, 297, 299, 301, 302, D3/901, 903, 905; D9/414
CPC A45C 5/04; A45C 11/00; A45C 11/16
See application file for complete search history.

(56) **References Cited**

U.S. PATENT DOCUMENTS

D352,604 S *	11/1994	Johnson	D3/301
D441,190 S *	5/2001	Eskandry	D3/216
D451,674 S *	12/2001	Leins	D3/206
D497,051 S *	10/2004	Nieves	D3/301
D500,204 S *	12/2004	Hillman	D3/301
D501,997 S *	2/2005	Hassett	D12/416
D560,361 S *	1/2008	Huang	D3/301
D632,079 S *	2/2011	Spencer	D3/301
D645,251 S *	9/2011	Lee	D3/301
D655,084 S *	3/2012	Shor	D3/276
D659,998 S *	5/2012	Austin	D3/301
D665,170 S *	8/2012	Lipfert	D3/289

D669,268 S *	10/2012	Phillips	D3/301
D669,270 S *	10/2012	Phillips	D3/301
D670,911 S *	11/2012	Bollinger	D3/301
D675,823 S *	2/2013	Vernall	D3/294
D690,104 S *	9/2013	Phillips	D3/301
D690,513 S *	10/2013	Phillips	D3/301
D707,963 S *	7/2014	Szewczyk	D3/232
D712,144 S *	9/2014	Albanese	D3/301
D713,642 S *	9/2014	Krauss	D3/301
D723,804 S *	3/2015	Coleman	D3/301
D748,915 S *	2/2016	Reyes	D3/301

* cited by examiner

Primary Examiner — Sandra Snapp

Assistant Examiner — Holly E Thurman

(74) *Attorney, Agent, or Firm* — Warner Norcross & Judd LLP

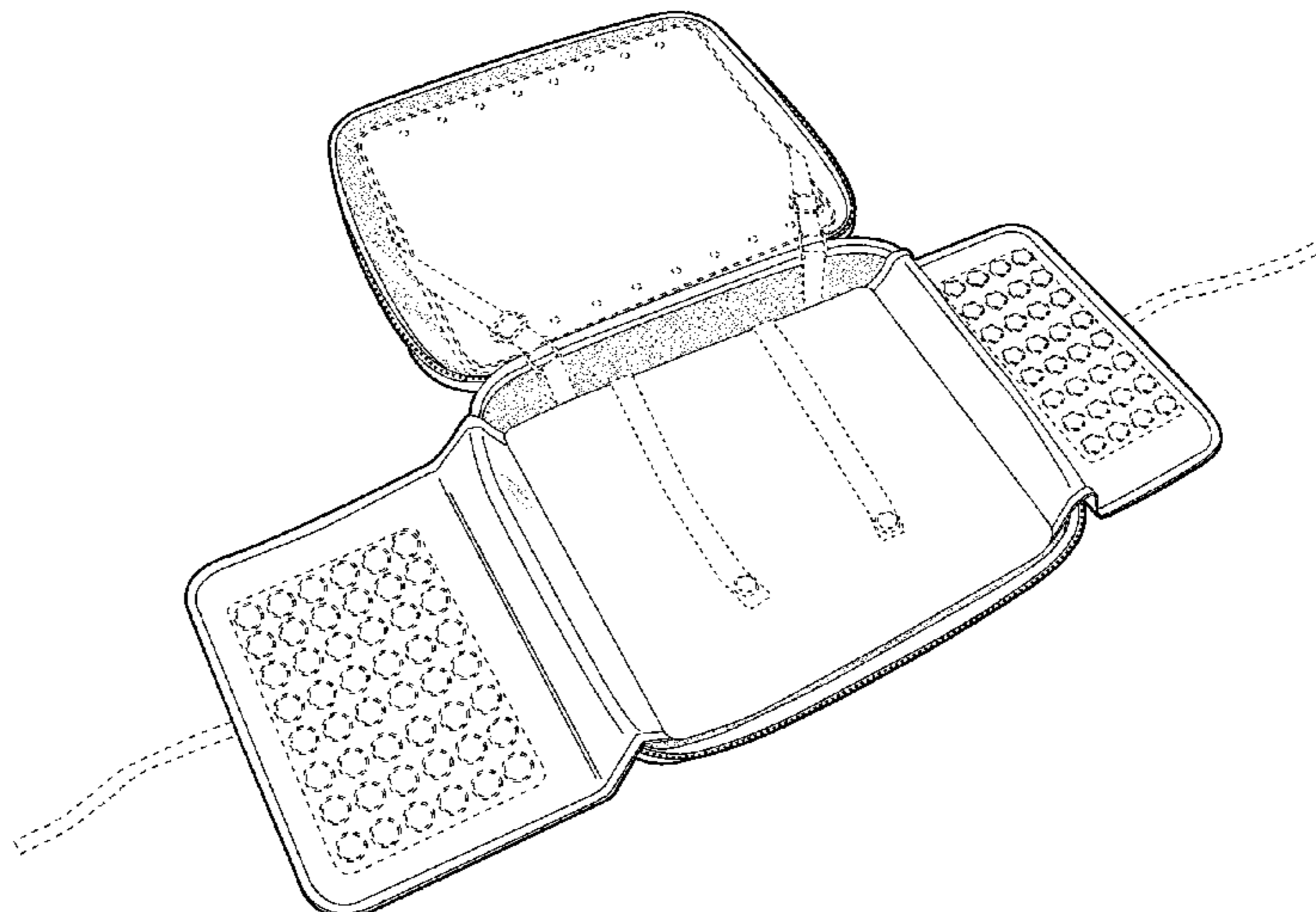
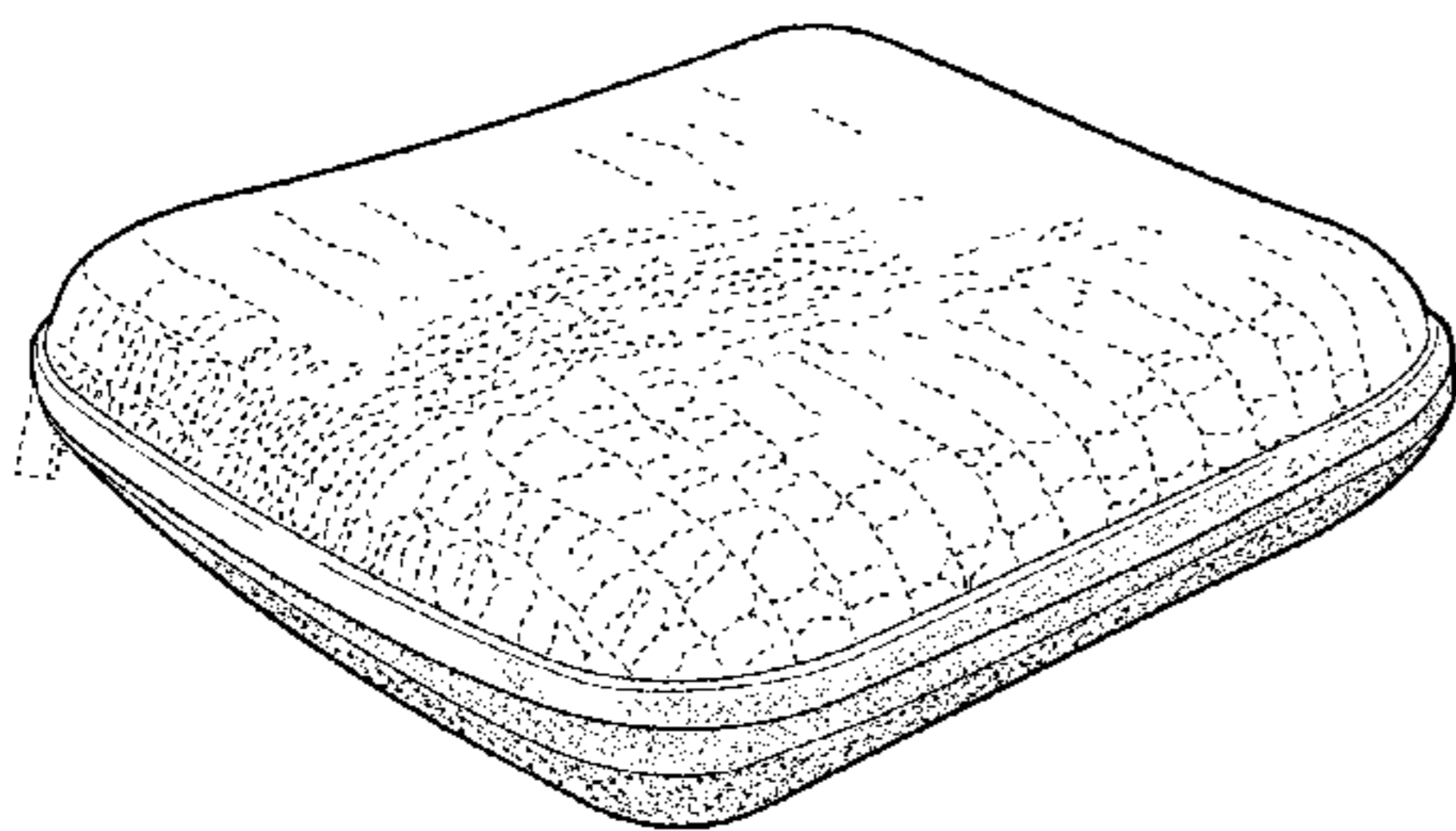
(57) **CLAIM**

The ornamental design for a makeup organizer bag, as shown and described.

DESCRIPTION

FIG. 1 is a perspective view of a makeup organizer bag; FIG. 2 is another perspective view thereof; FIG. 3 is a front elevation view thereof; FIG. 4 is a right side elevation view thereof; FIG. 5 is a rear elevation view thereof; FIG. 6 is a left side elevation view thereof; FIG. 7 is a top plan view thereof; FIG. 8 is a bottom plan view thereof; FIG. 9 is another perspective view thereof showing the bag opened; and, FIG. 10 is yet another perspective view thereof showing the bag opened and unfolded. The broken lines represent portions of the structure that forms no part of the claim.

1 Claim, 5 Drawing Sheets



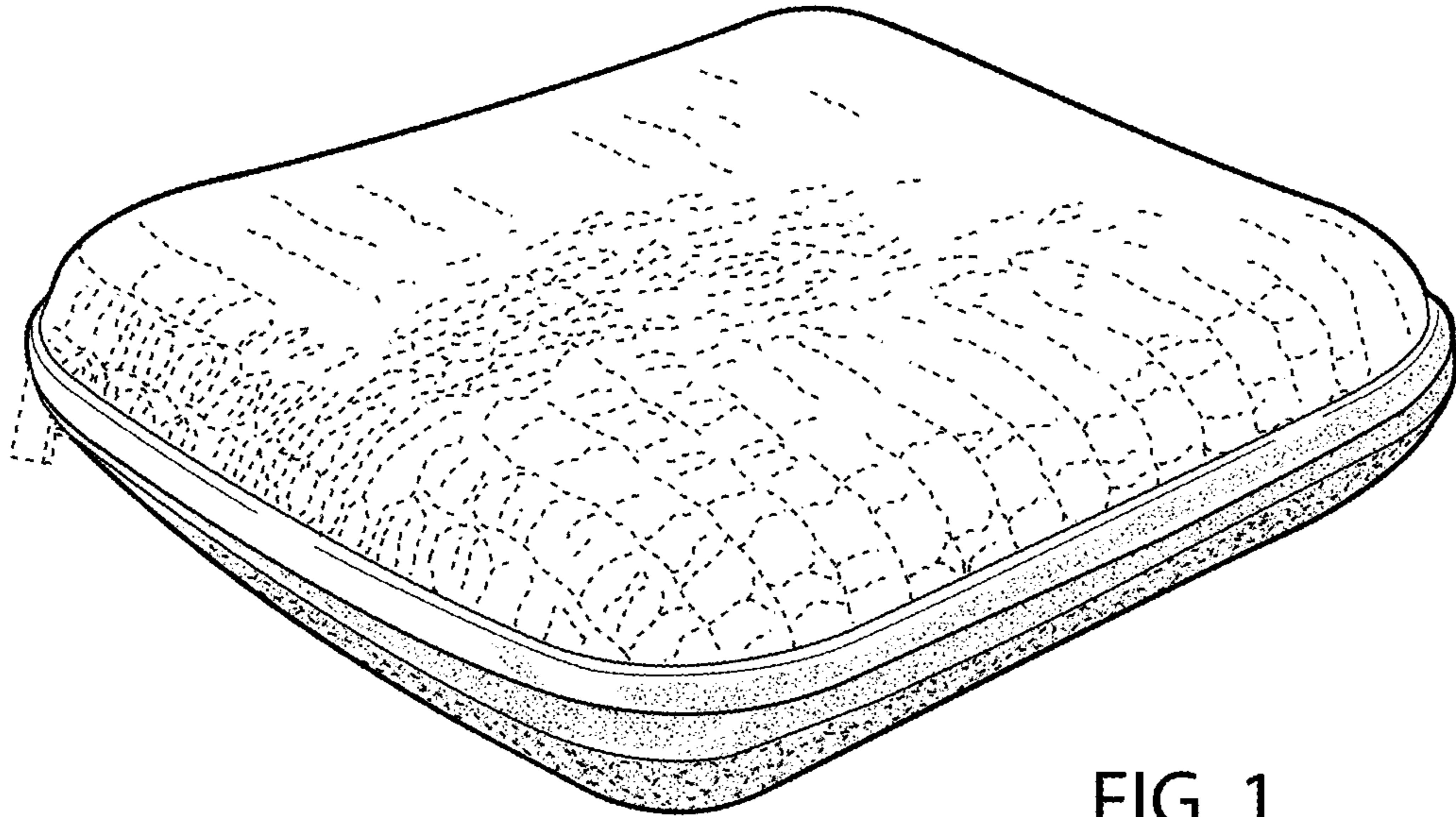


FIG. 1

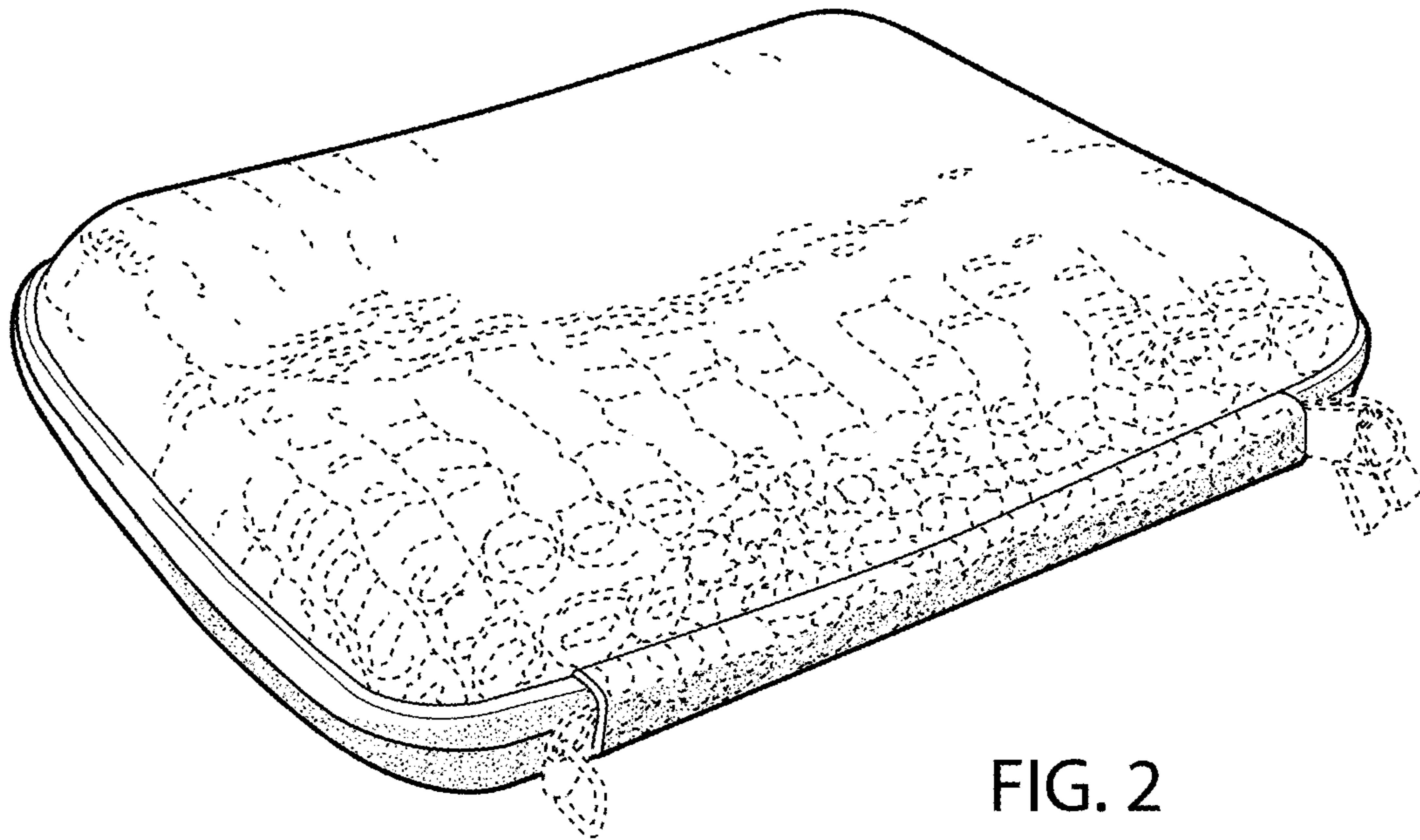


FIG. 2

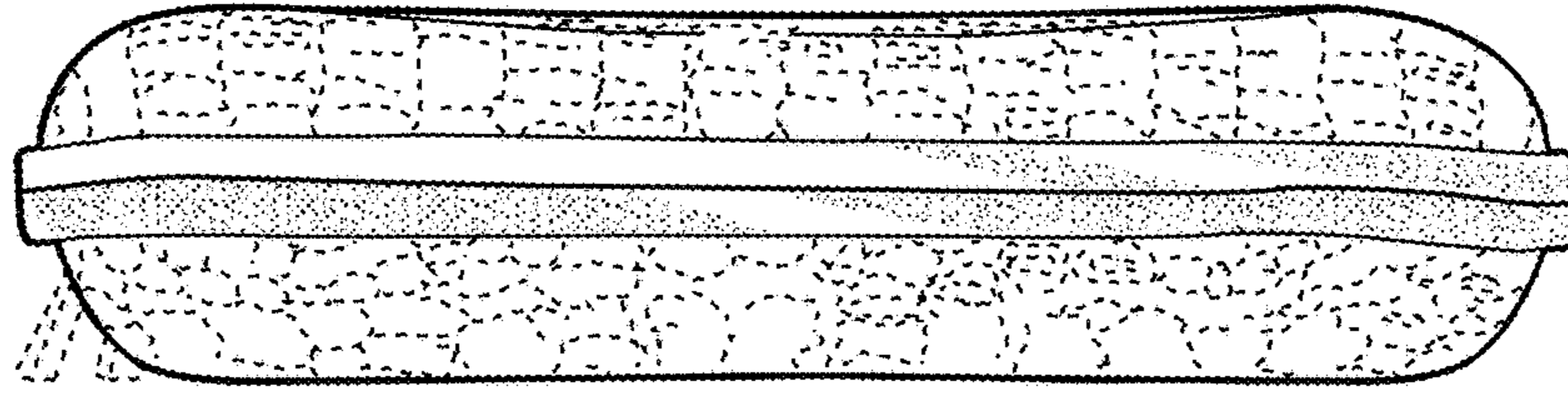


FIG. 3

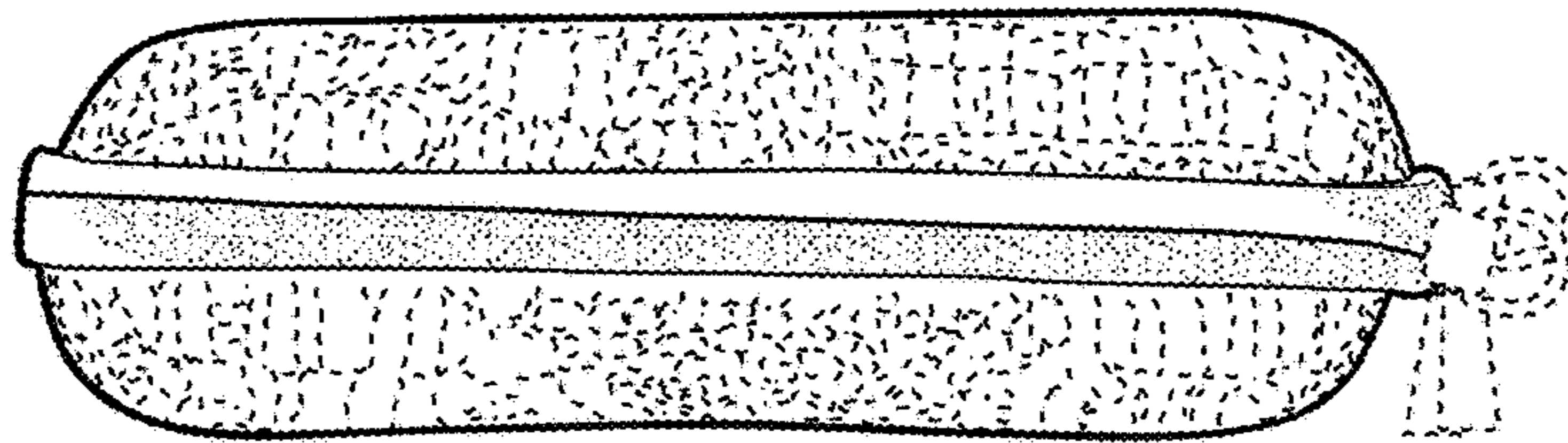


FIG. 4

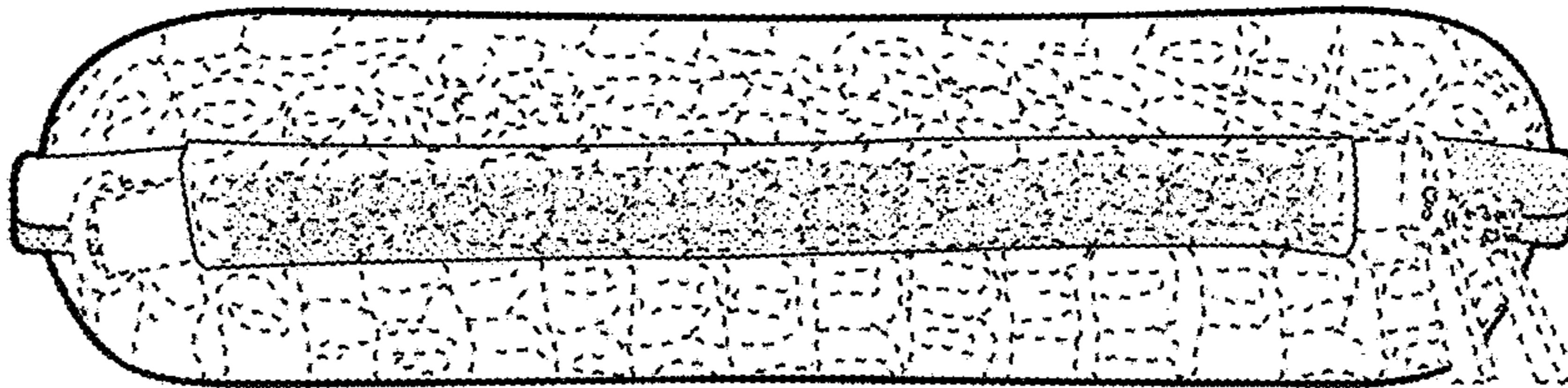


FIG. 5

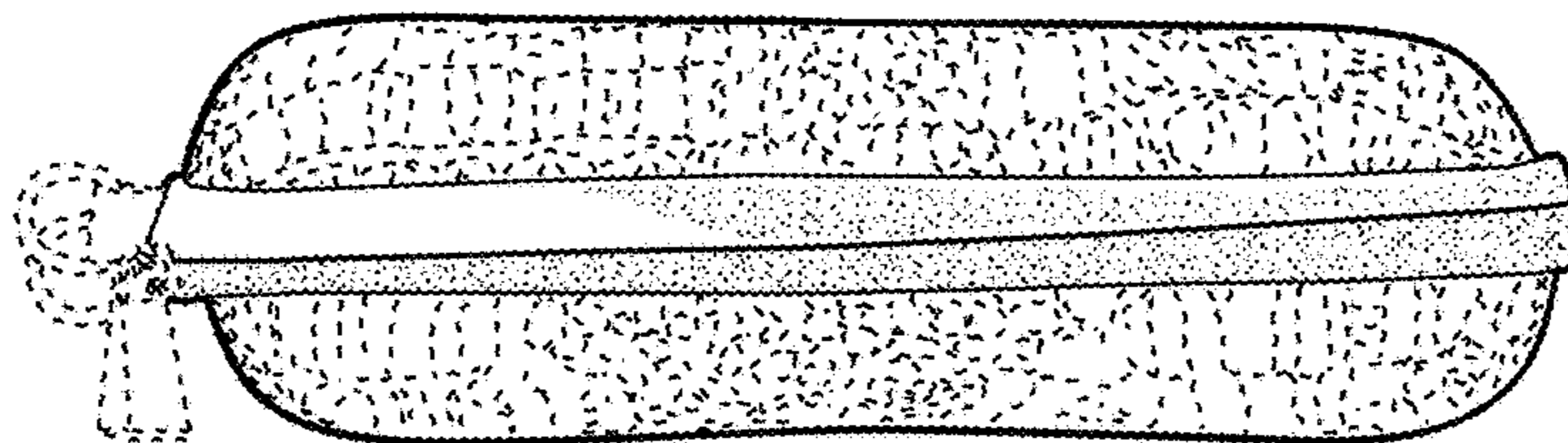


FIG. 6

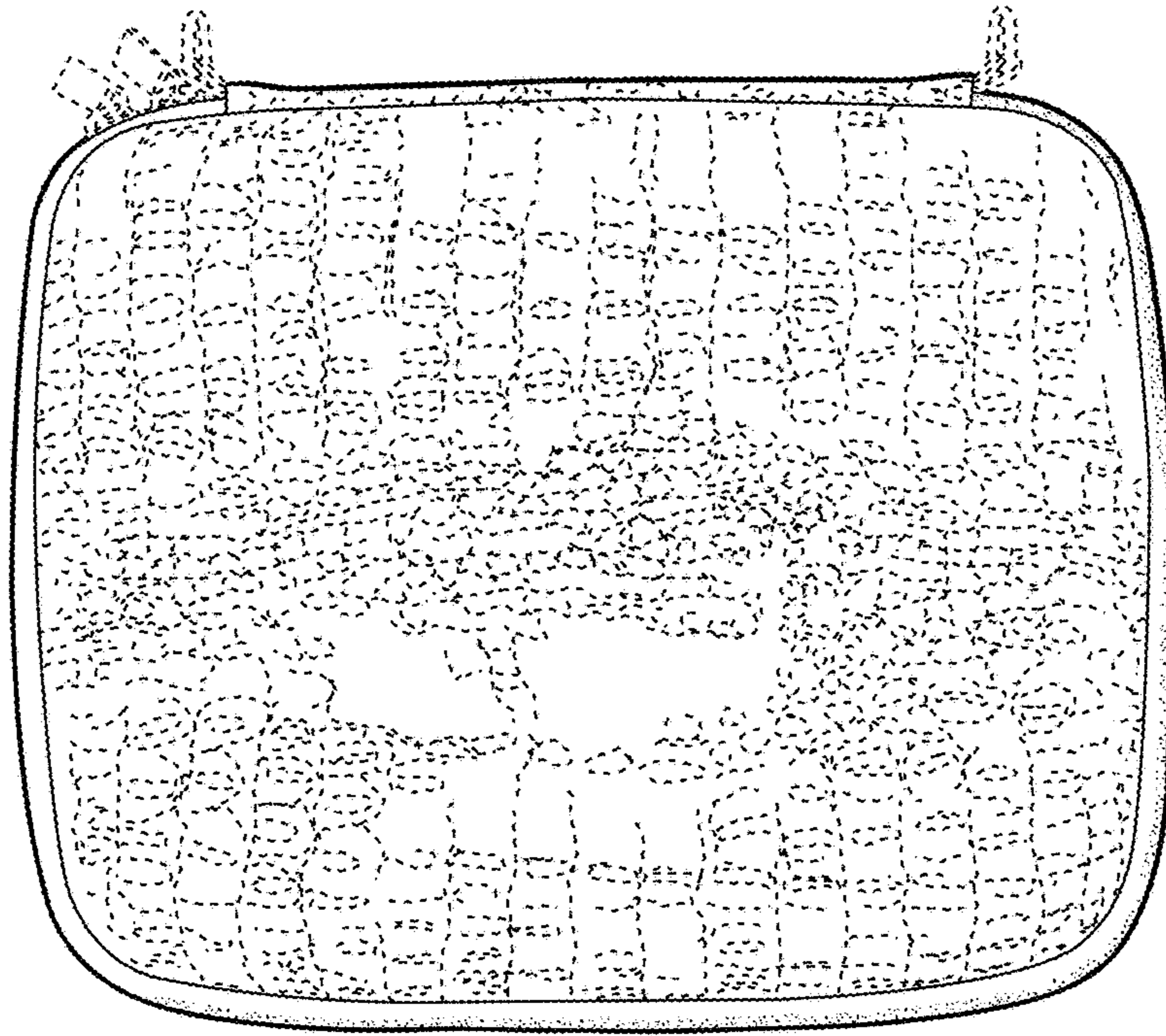


FIG. 7

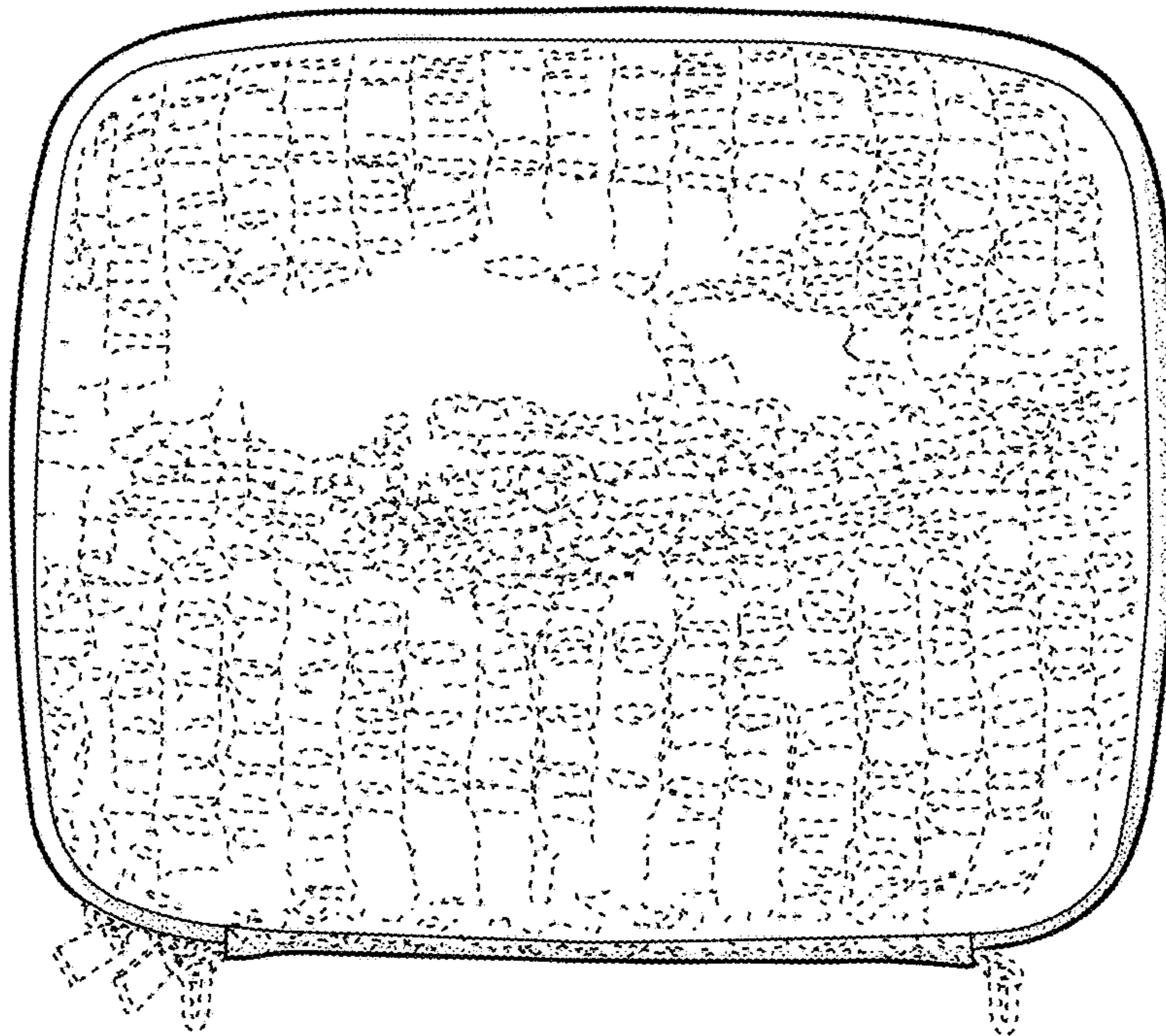


FIG. 8

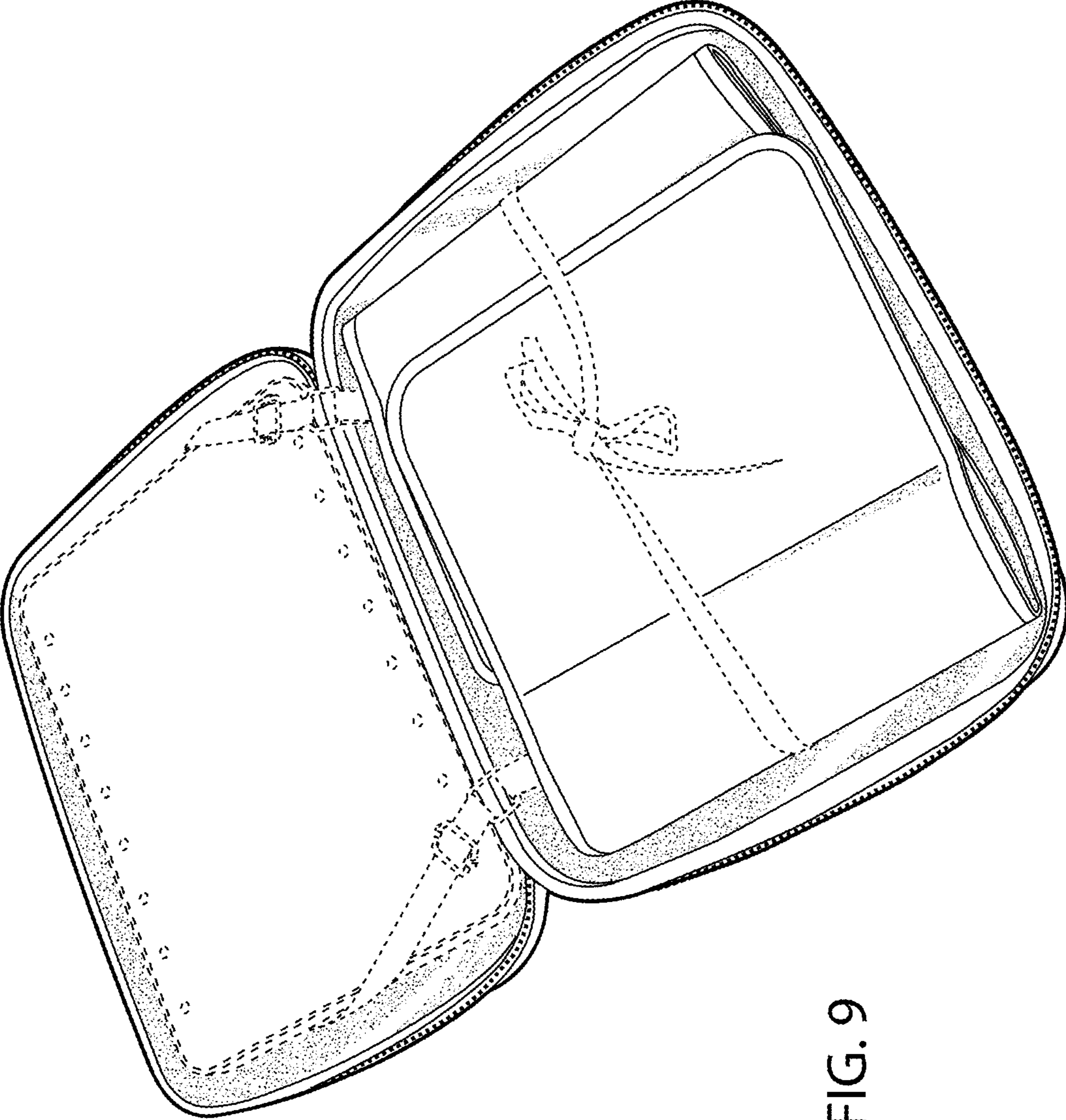


FIG. 9

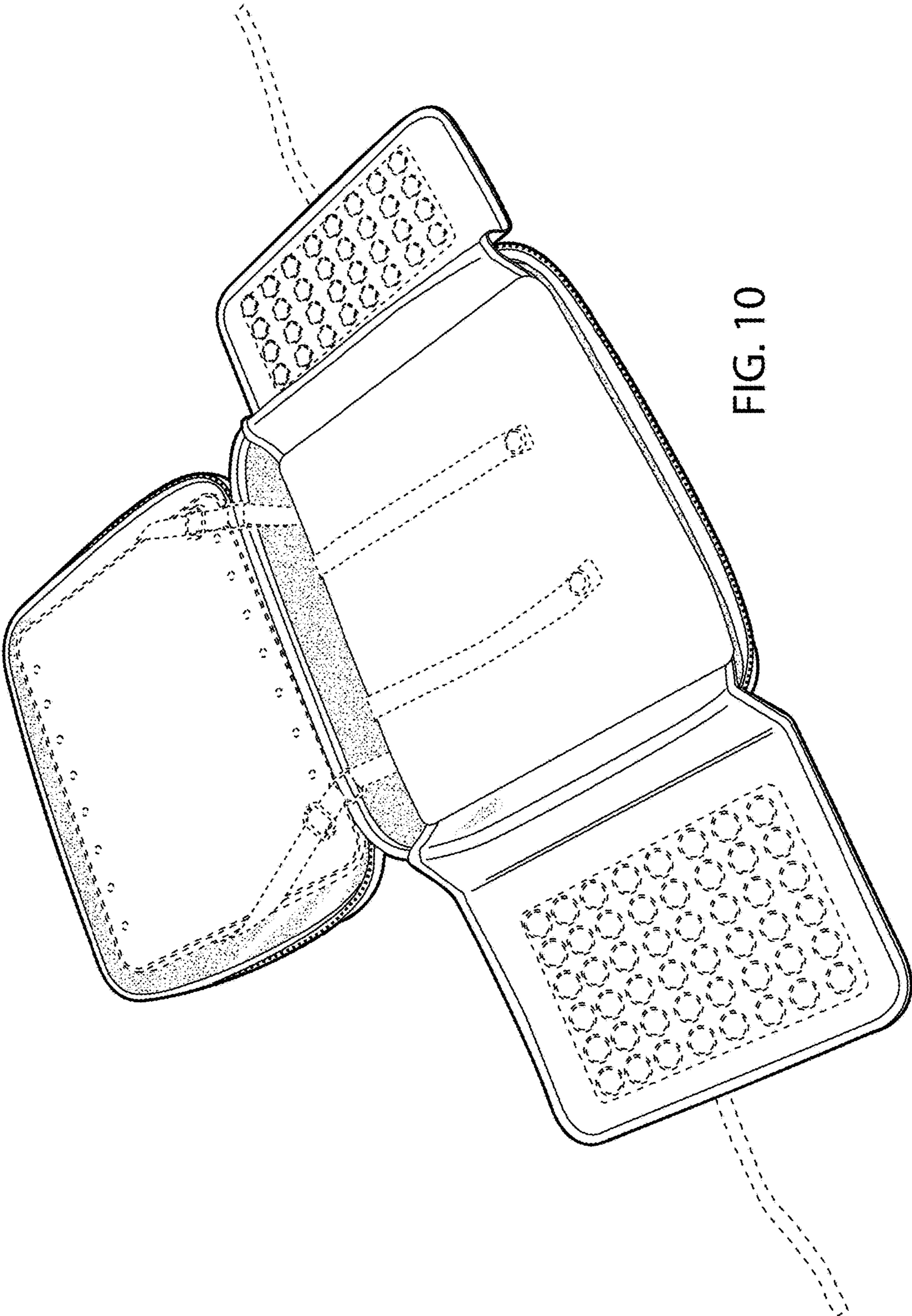


FIG. 10