

US00D811085S

(12) **United States Design Patent** (10) **Patent No.:** **US D811,085 S**
Grote (45) **Date of Patent:** **** Feb. 27, 2018**

(54) **ELECTRONIC DEVICE CASE** 6,085,449 A * 7/2000 Tsui A45C 13/42
2/67
(71) Applicant: **Griffin Technology, LLC**, Irvine, CA D762,375 S * 8/2016 Duarte D11/5
(US) D773,804 S * 12/2016 Gonzalez D3/218
D781,050 S * 3/2017 Abreu D3/218

(72) Inventor: **Paul S. Grote**, Old Hickory, TN (US) * cited by examiner

(73) Assignee: **Griffin Technology, LLC**, Irvine, CA *Primary Examiner* — Catherine R Oliver-Garcia
(US) (74) *Attorney, Agent, or Firm* — Manatt, Phelps & Phillips, LLP

(**) Term: **15 Years**

(21) Appl. No.: **29/612,163**

(22) Filed: **Jul. 28, 2017**

Related U.S. Application Data

(63) Continuation of application No. 29/555,802, filed on Feb. 25, 2016, now Pat. No. Des. 794,331.

(51) **LOC (11) Cl.** **03-01**

(52) **U.S. Cl.**
USPC **D3/300**; D3/218

(58) **Field of Classification Search**
USPC D3/215, 218–219, 300, 303, 227;
224/219, 221–222, 267, 269; 40/1.6, 633,
40/665; 206/305, 320; 455/575.1–575.8;
2/67

CPC A45C 13/42; A45C 2011/002; A45C
2011/003; A44B 18/0053; A45F 5/00;
A45F 5/02; A45F 2005/008; A45F
2200/0516

See application file for complete search history.

(56) **References Cited**

U.S. PATENT DOCUMENTS

3,586,220 A * 6/1971 Reinsberg A44B 18/0053
224/221
D318,570 S * 7/1991 Walasek 224/221

(57) **CLAIM**

I claim the ornamental design for an electronic device case, as shown and described.

DESCRIPTION

FIG. 1 is a front view of an electronic device case showing my new design in use.

FIG. 2 is a front view thereof showing my new design in use with an electronic device held in the case.

FIG. 3 is a front isometric view thereof.

FIG. 4 is a rear isometric view thereof.

FIG. 5 is a front view thereof.

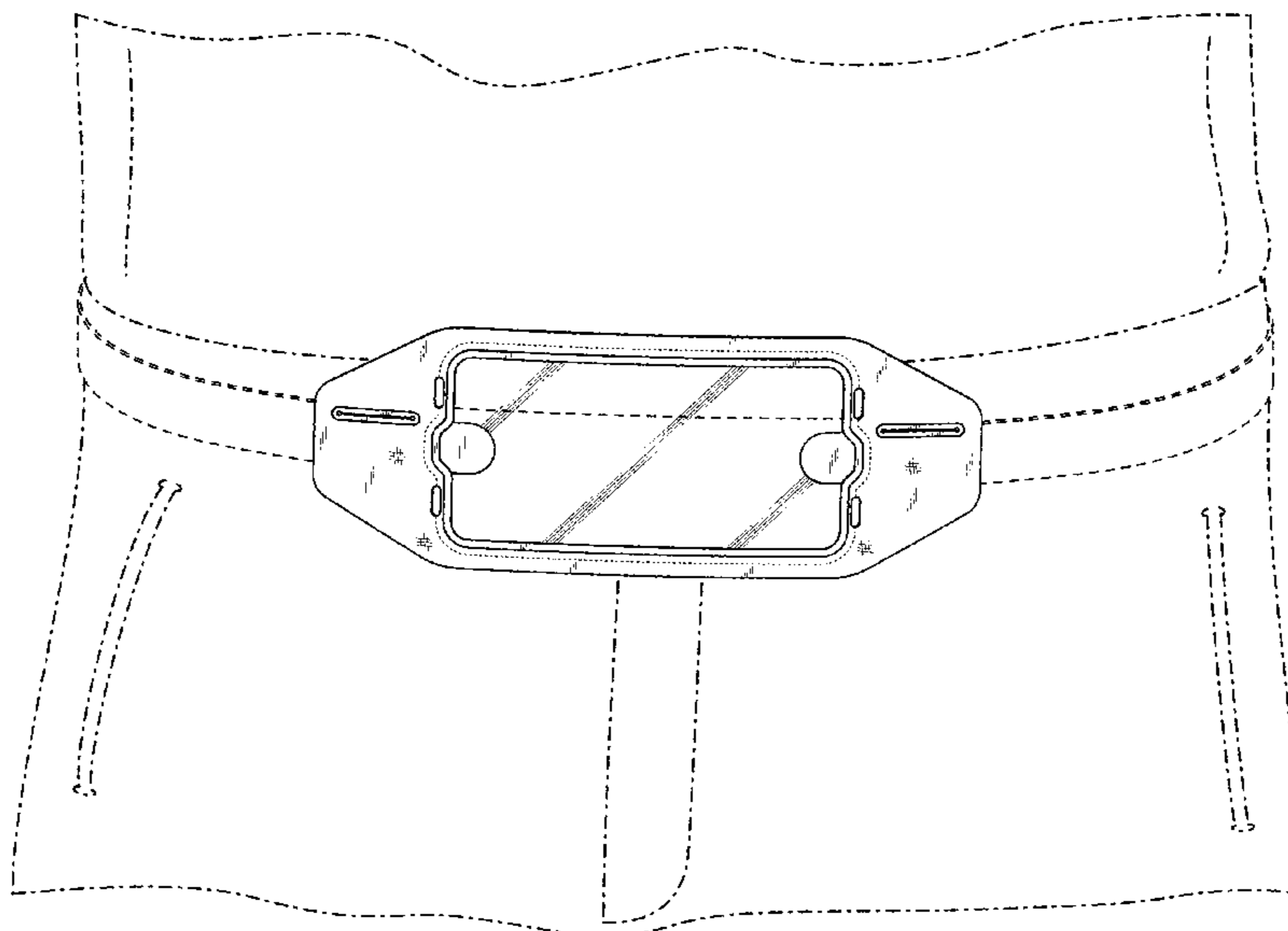
FIG. 6 is a top view thereof with the bottom view being the same.

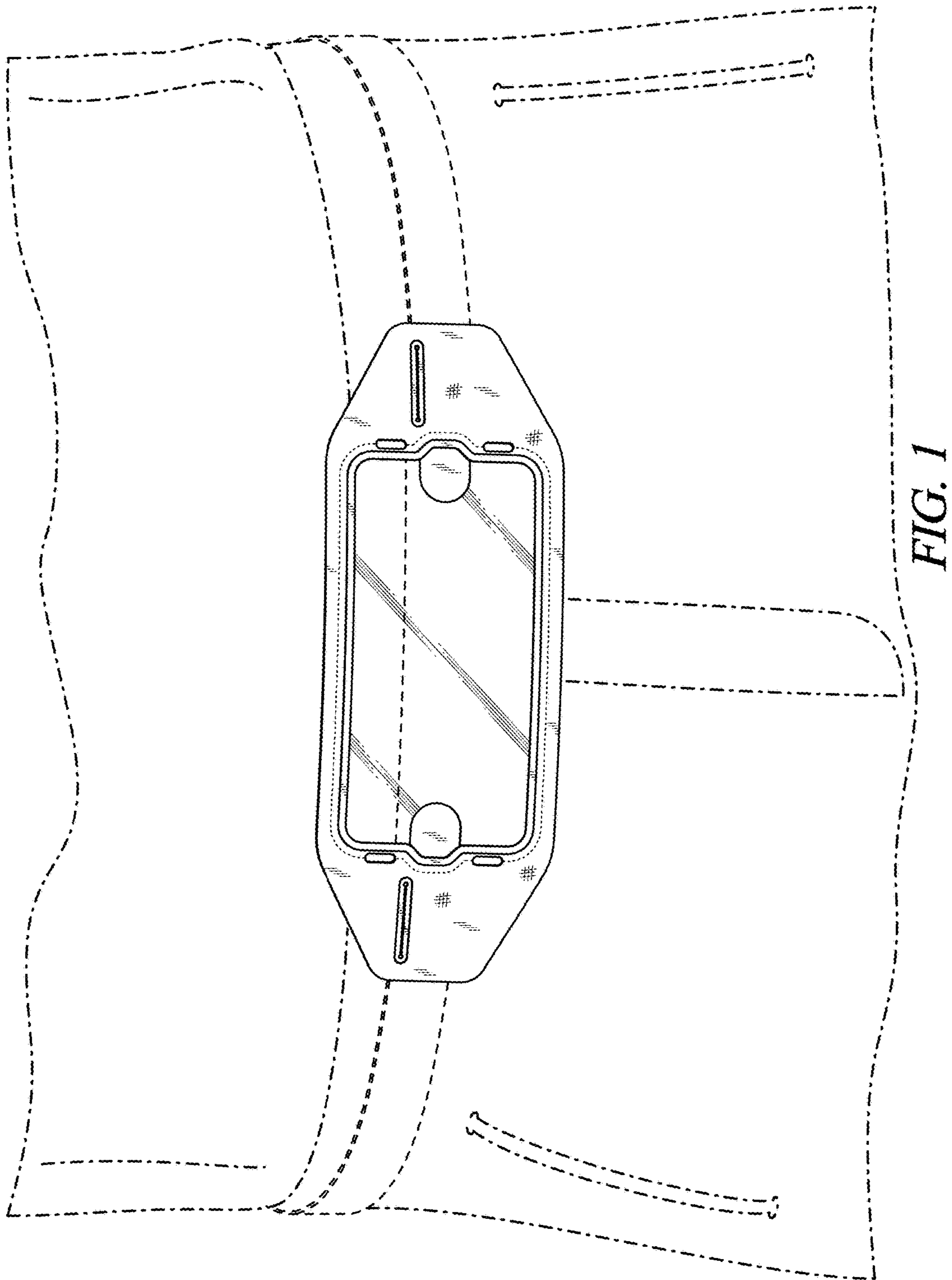
FIG. 7 is a left side view of the electronic device case, the right side view being a mirror image thereof; and,

FIG. 8 is a rear view thereof.

The broken lines depict environmental structure that are included for the purpose of illustrating only and form no part of the claimed design.

1 Claim, 6 Drawing Sheets





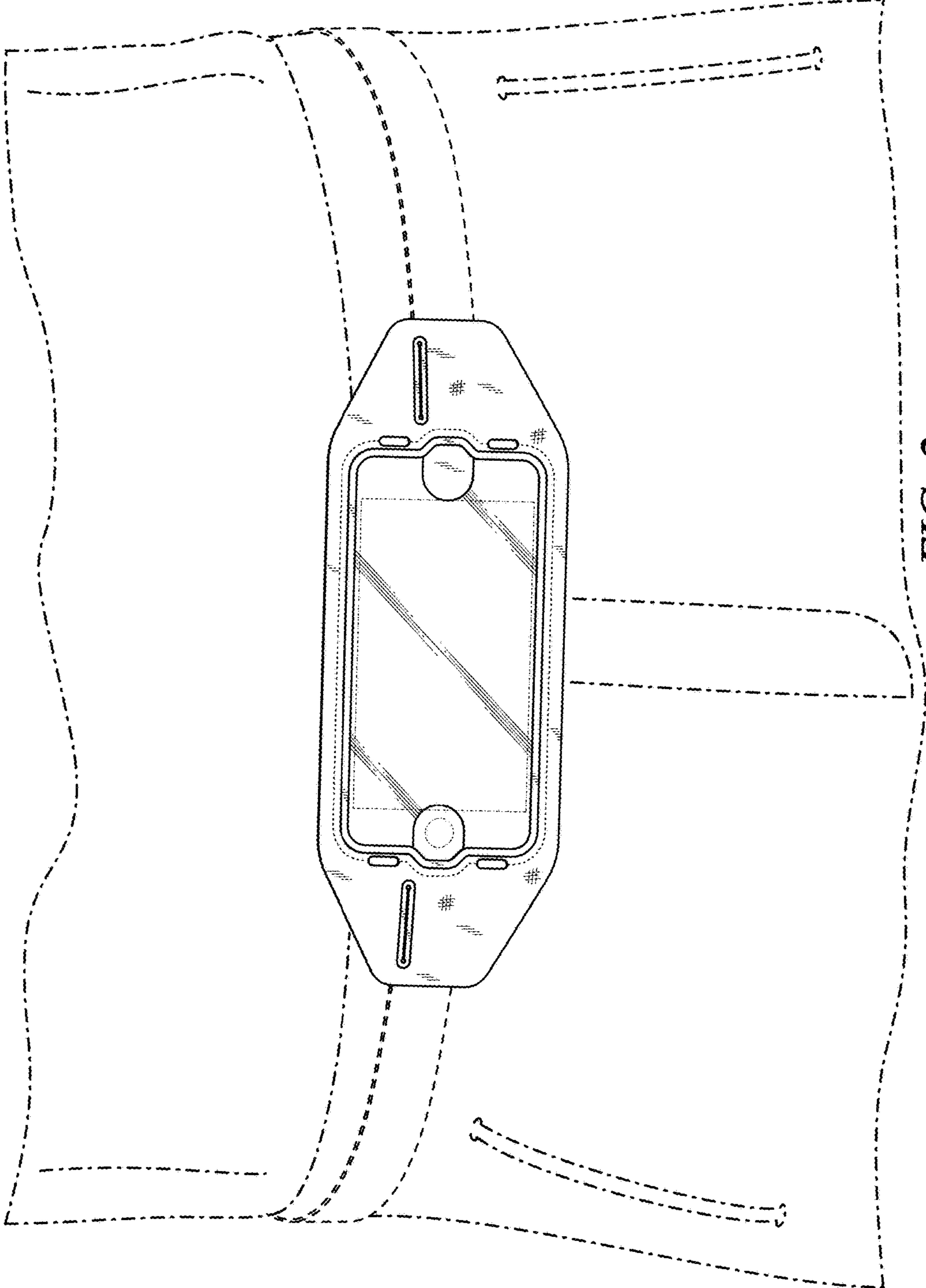


FIG. 2

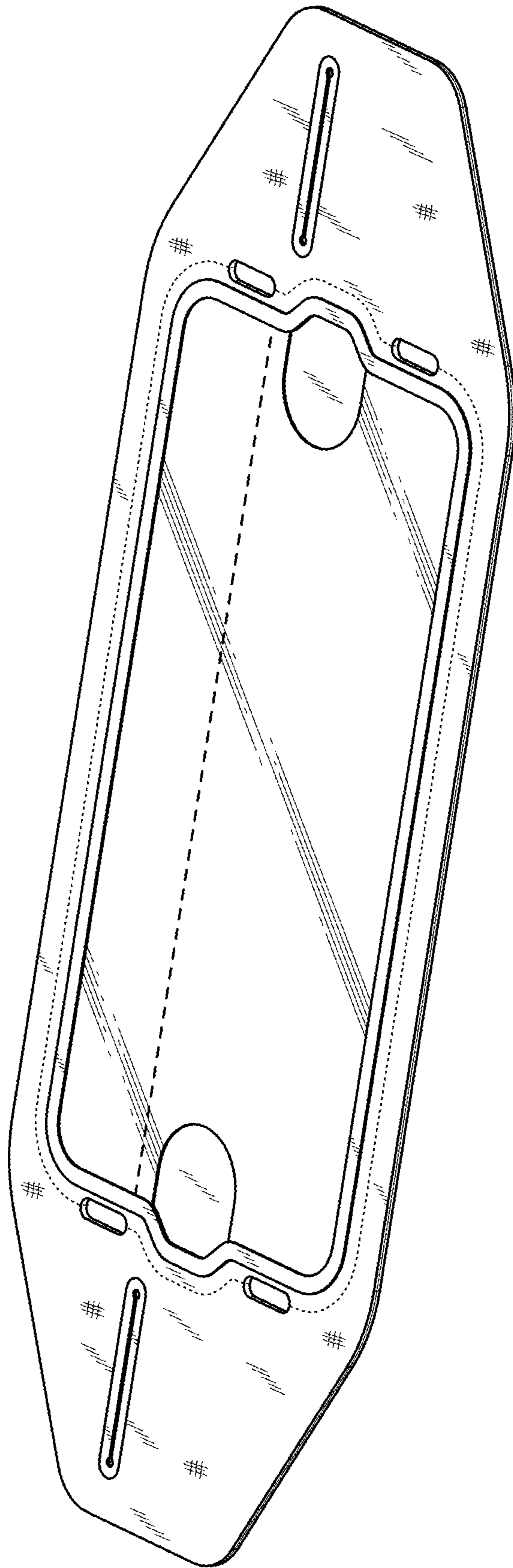


FIG. 3

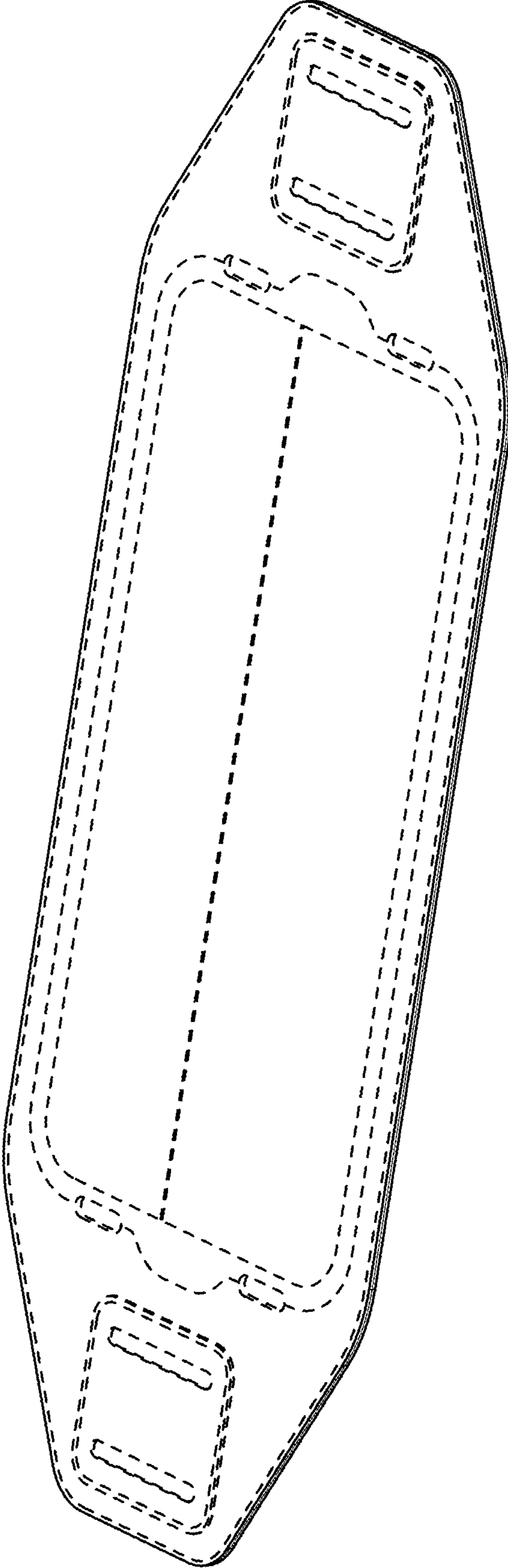


FIG. 4

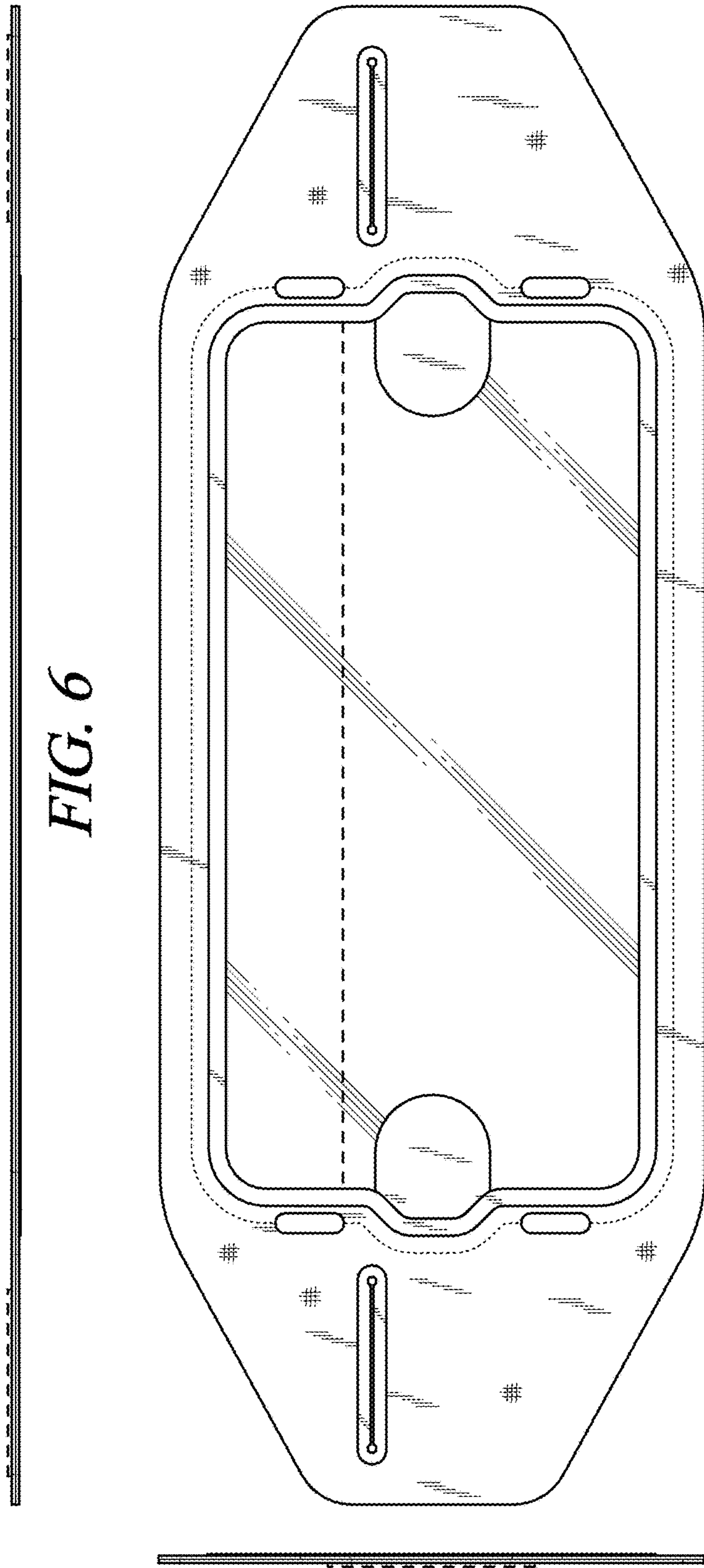


FIG. 6

FIG. 5

FIG. 7

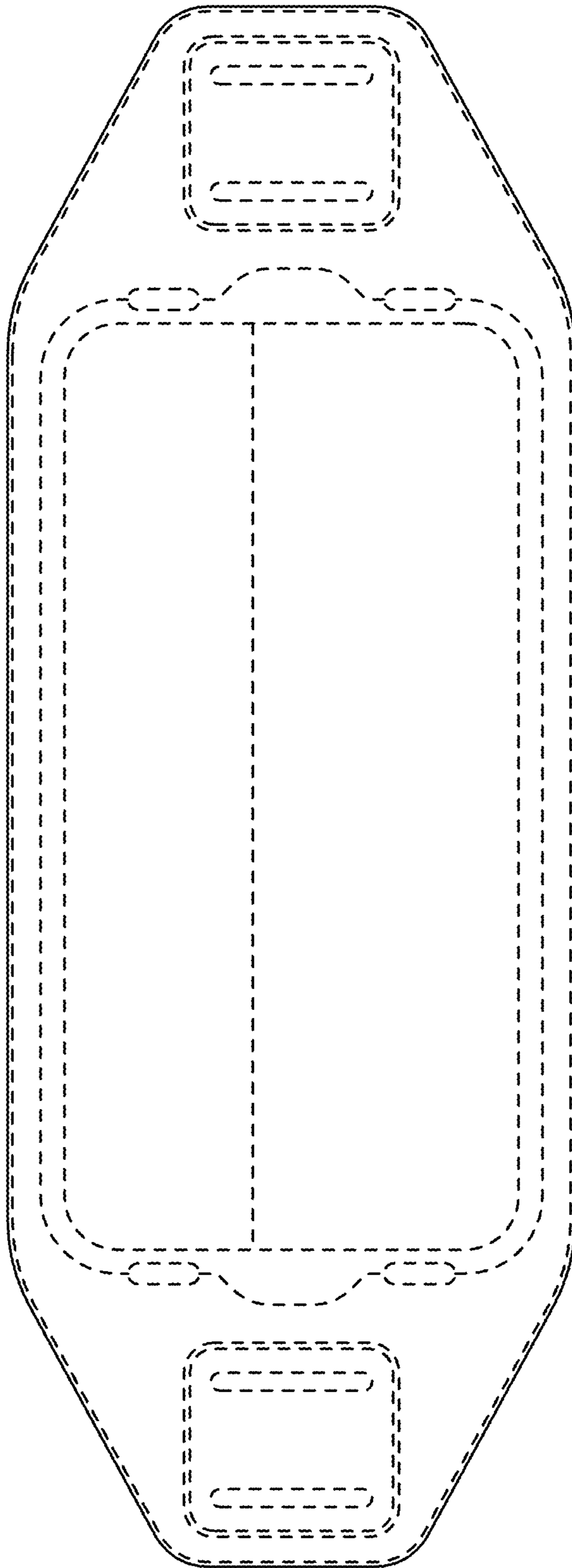


FIG. 8