



US00D811084S

(12) **United States Design Patent**
Ballou et al.

(10) **Patent No.:** **US D811,084 S**

(45) **Date of Patent:** **** *Feb. 27, 2018**

(54) **CASE**

(71) Applicant: **Pelican Products, Inc.**, Torrance, CA (US)

(72) Inventors: **Daniel Ballou**, Long Beach, CA (US);
Dustin Bullock, Austin, TX (US);
Joven De La Vega, Downey, CA (US)

(73) Assignee: **Pelican Products, Inc.**, Torrance, CA (US)

(*) Notice: This patent is subject to a terminal disclaimer.

(**) Term: **15 Years**

(21) Appl. No.: **29/537,945**

(22) Filed: **Aug. 31, 2015**

(51) **LOC (11) Cl.** **03-01**

(52) **U.S. Cl.**
USPC **D3/276; D3/905**

(58) **Field of Classification Search**
USPC D3/905, 276, 279-284, 291, 294, 295,
D3/298, 901, 302, 272, 273, 274, 903,
D3/217

CPC . B25H 3/02-3/028; B25H 3/00; B25H 3/003;
B25H 3/006; B65D 21/0209; A45C 5/00;
A45C 13/29

See application file for complete search history.

(56) **References Cited**

U.S. PATENT DOCUMENTS

D439,407 S *	3/2001	Parker	D3/276
D441,954 S *	5/2001	Parker	D3/273
D462,519 S *	9/2002	Gaydos	D3/276
D464,196 S *	10/2002	Parker	D3/201
D467,424 S *	12/2002	Hardigg	D3/276
D467,425 S *	12/2002	Hardigg	D3/276
D467,426 S *	12/2002	Hardigg	D3/276
6,953,126 B2	10/2005	Parker et al.		

6,955,381 B2	10/2005	Parker et al.		
D520,237 S *	5/2006	Cheng	D3/276
D711,105 S *	8/2014	Brunner	D3/281
D727,620 S *	4/2015	Tonelli	D3/276
D738,106 S *	9/2015	Shitrit	D3/276
D757,435 S *	5/2016	Damberg	A45C 13/02 D3/284

(Continued)

OTHER PUBLICATIONS

YouTube, "Pelican 1550 case unboxing", Published by user SpencerFlames97 on Aug. 23, 2012, Accessed Jan. 5, 2017. (<https://www.youtube.com/watch?v=mnvHgITzX8g>).

(Continued)

Primary Examiner — Jennifer Rivard

Assistant Examiner — April Rivas

(74) *Attorney, Agent, or Firm* — Foley & Lardner LLP

(57) **CLAIM**

We claim the ornamental design for a case, as shown and described.

DESCRIPTION

FIG. 1 is a front and top perspective view of the claimed case design;

FIG. 2 is a front view thereof;

FIG. 3 is a rear view thereof;

FIG. 4 is a left view thereof;

FIG. 5 is a right view thereof

FIG. 6 is a top view thereof;

FIG. 7 is a bottom view thereof;

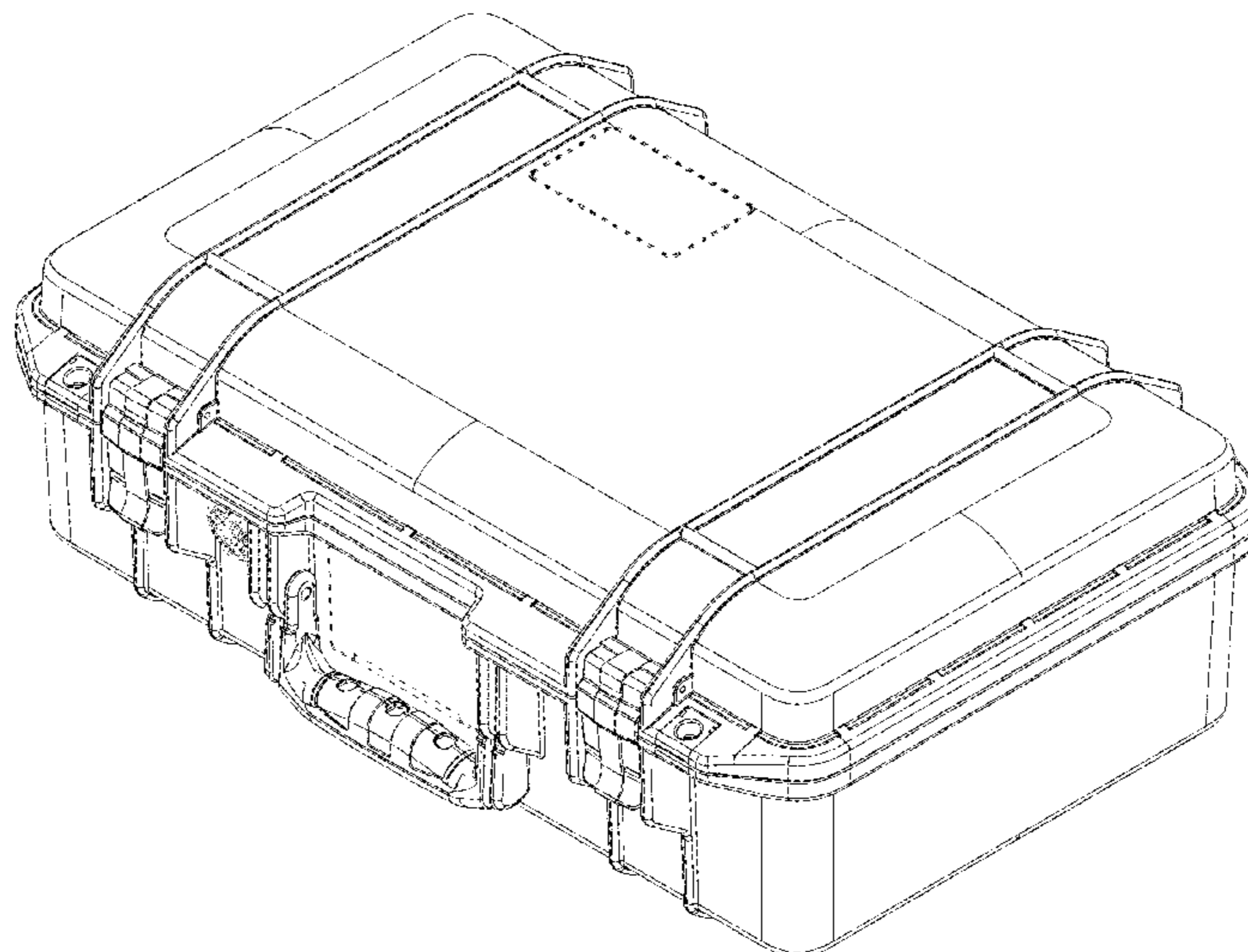
FIG. 8 is a top and rear perspective view thereof;

FIG. 9 is a front and bottom perspective view thereof; and,

FIG. 10 is a bottom and rear perspective view thereof.

the ornamental design which is claimed is shown in solid lines in the drawings. The broken lines illustrate portions of the case and form no part of the claimed design.

1 Claim, 8 Drawing Sheets



(56)

References Cited

U.S. PATENT DOCUMENTS

D759,971 S 6/2016 Riddiford et al.
D765,973 S * 9/2016 Tonelli D3/279

OTHER PUBLICATIONS

AU Examination Report dated Sep. 23, 2016, from related application No. 201611032.
AU Examination Report dated Sep. 23, 2016, from related application No. 201611033.
AU Examination Report dated Sep. 23, 2016, from related application No. 201611034.
AU Examination Report dated Sep. 23, 2016, from related application No. 201611036.
AU Examination Report dated Sep. 23, 2016, from related application No. 201611037.
AU Examination Report dated Sep. 23, 2016, from related application No. 201611035.
Pelican-case.com, "Pelican Carry-on Case with Foam—Black Case FAA Approved for Airlines", accessed Jan. 4, 2016, as early as Aug. 31, 2013. (<http://www.pelican-case.com/15caonca.html>).
US Office Action dated Jan. 12, 2017, from related U.S. Appl. No. 29/538,022.
US Office Action dated Jan. 12, 2017, from related U.S. Appl. No. 29/538,025.

US Office Action dated Jan. 12, 2017, from related U.S. Appl. No. 29/538,034.
US Office Action dated Jan. 12, 2017, from related U.S. Appl. No. 29/538,042.
US Office Action dated Jan. 12, 2017, from related U.S. Appl. No. 29/538,051.
Youtube, "Pelican 1550 case unboxing", uploaded by user SpencerFlames97 on Aug. 23, 2012, accesses Jan. 4, 2017. (<https://www.youtube.com/watch?v=mnvHgITzX8g>).
US Office Action dated Jun. 8, 2017, from U.S. Appl. No. 29/538,022.
US Office Action dated Jun. 8, 2017, from U.S. Appl. No. 29/538,025.
US Office Action dated Jun. 9, 2017, from U.S. Appl. No. 29/538,042.
US Office Action dated Jun. 9, 2017, from U.S. Appl. No. 29/538,051.
U.S. Notice of Allowance dated Nov. 16, 2017, from U.S. Appl. No. 29/538,022.
U.S. Notice of Allowance dated Nov. 21, 2017, from U.S. Appl. No. 29/538,025.
U.S. Notice of Allowance dated Nov. 3, 2017, from U.S. Appl. No. 29/538,042.
U.S. Notice of Allowance dated Nov. 8, 2017, from U.S. Appl. No. 29/538,051.
U.S. Office Action dated Nov. 14, 2017, from U.S. Appl. No. 29/538,034.

* cited by examiner

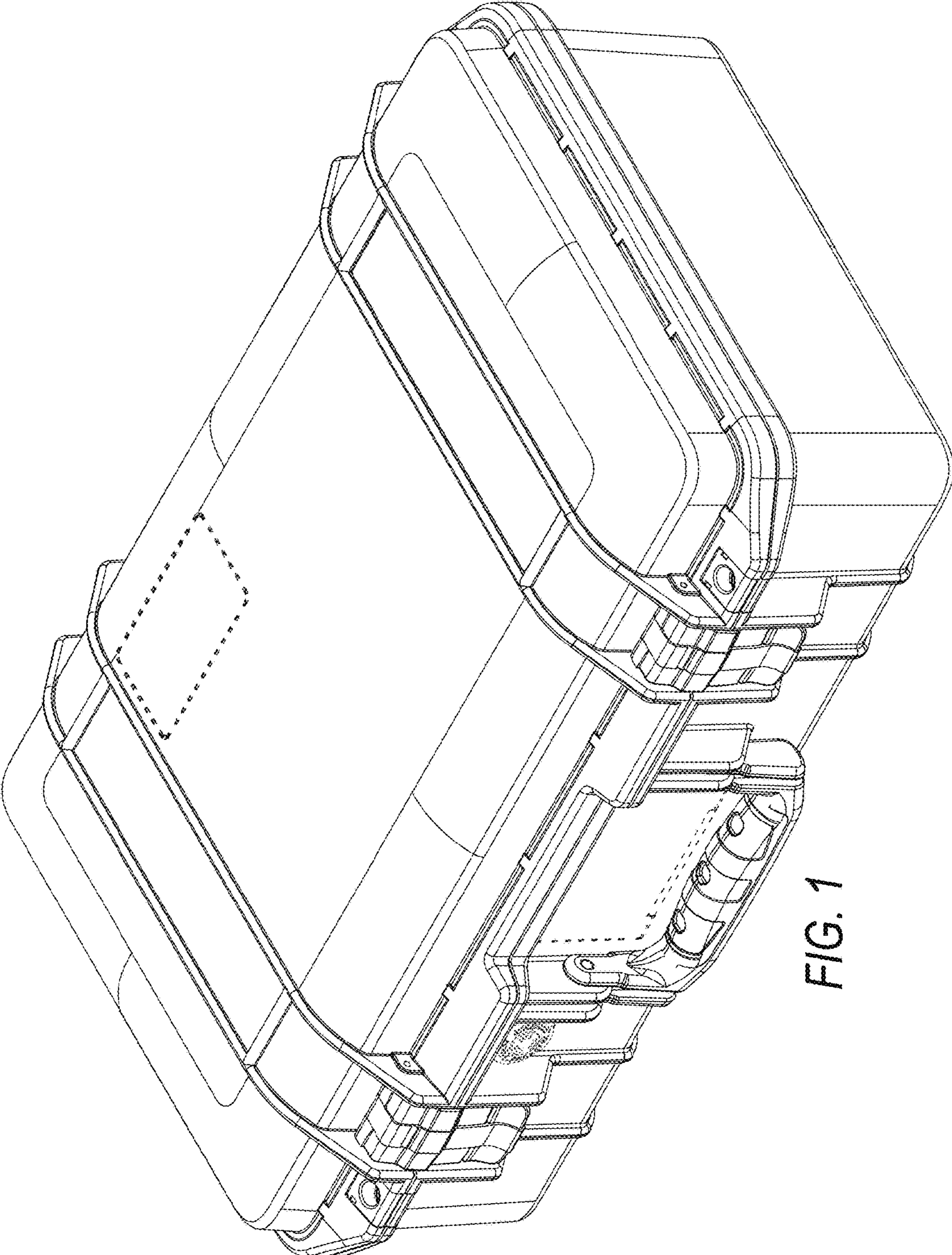


FIG. 1

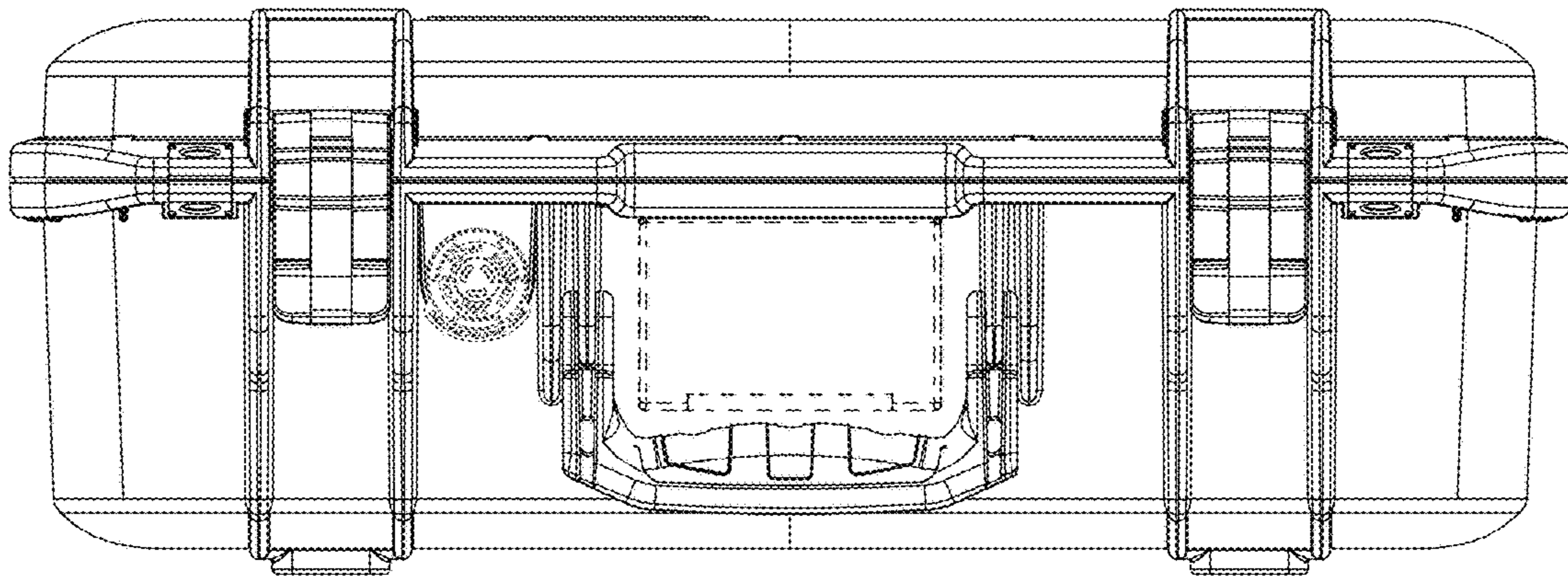


FIG. 2

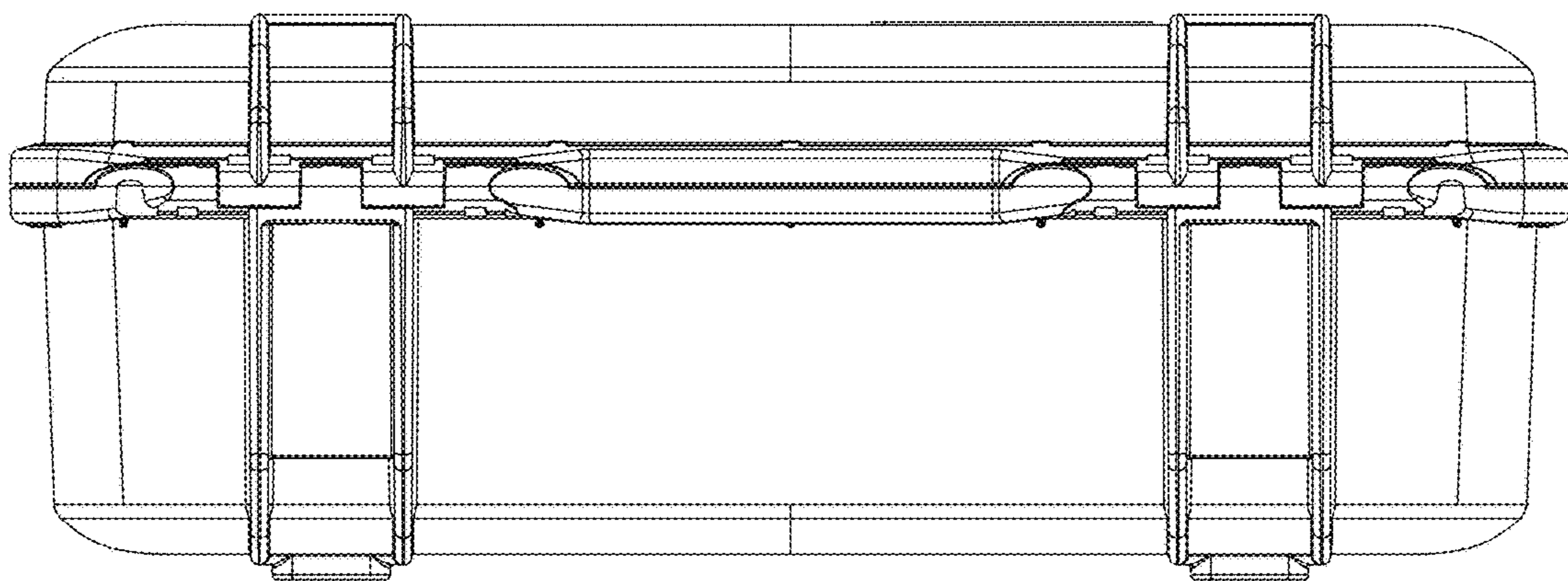


FIG. 3

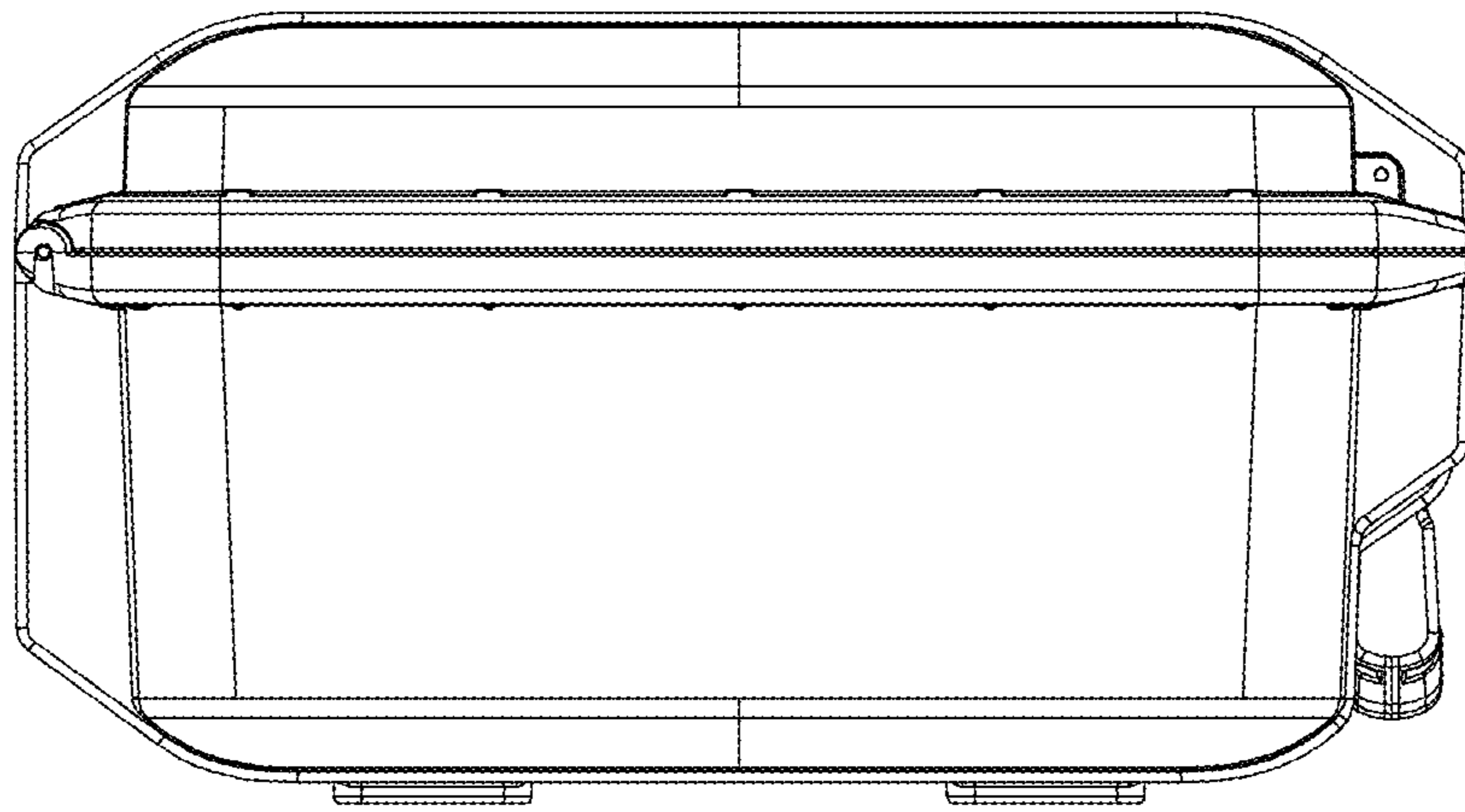


FIG. 4

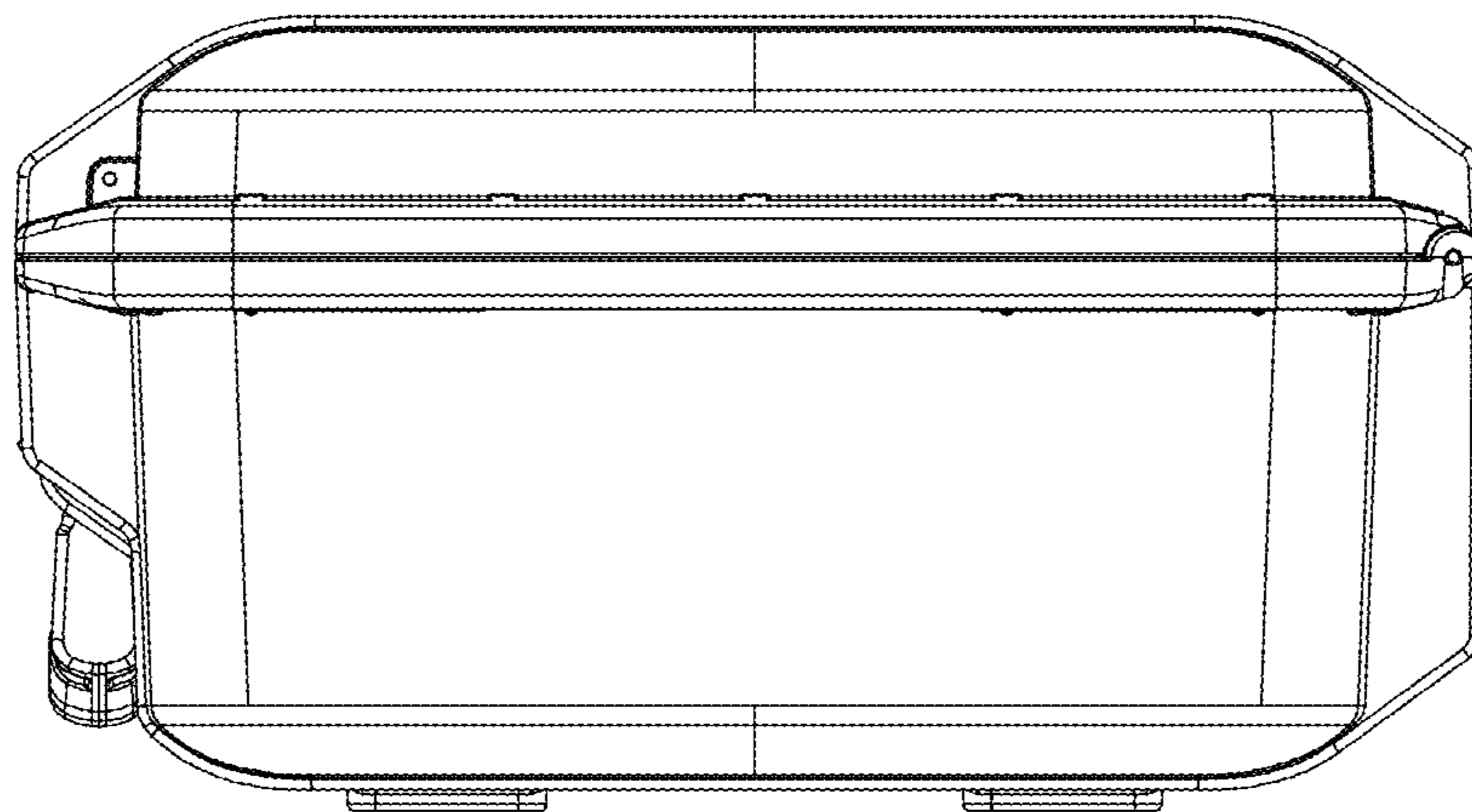


FIG. 5

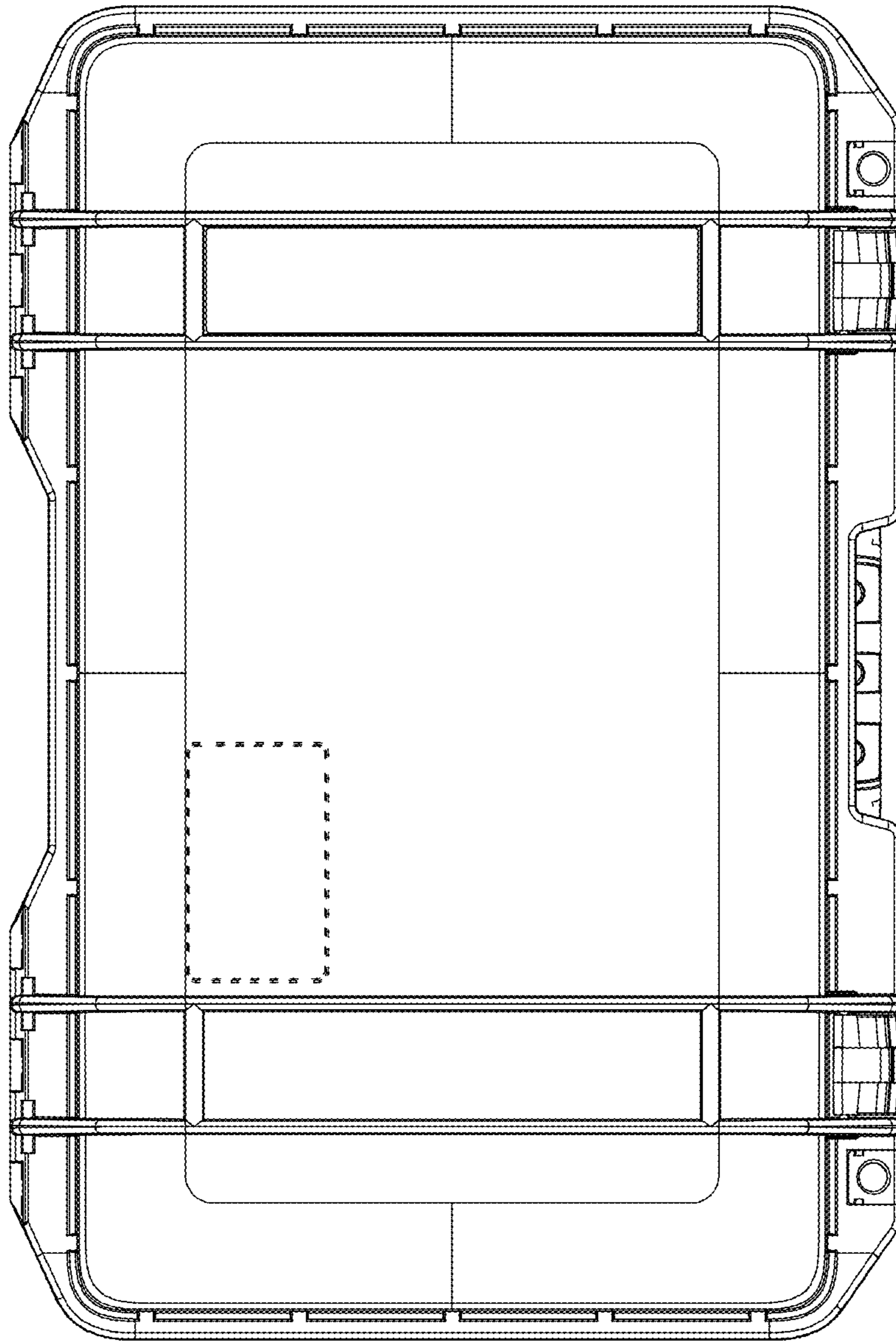


FIG. 6

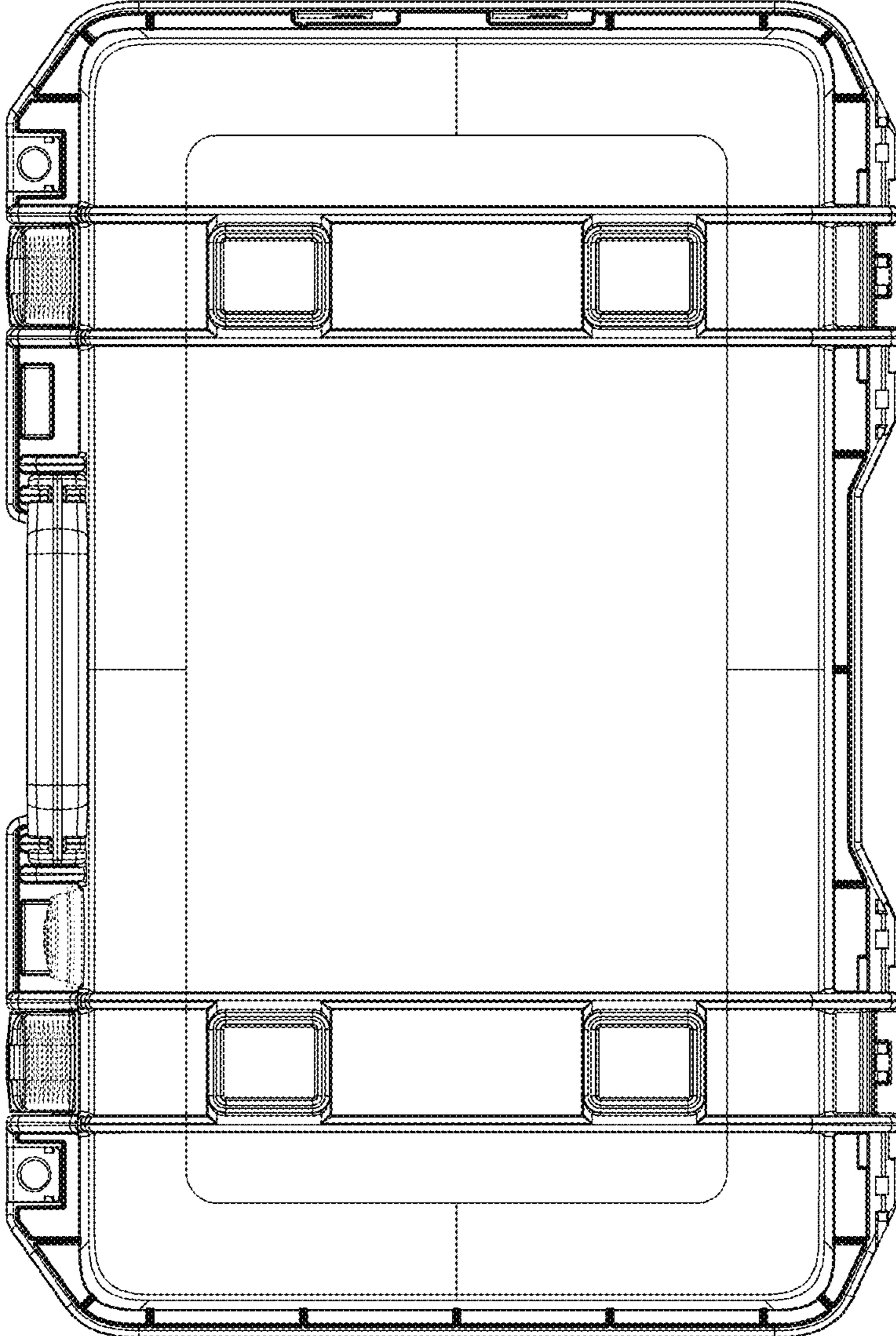


FIG. 7

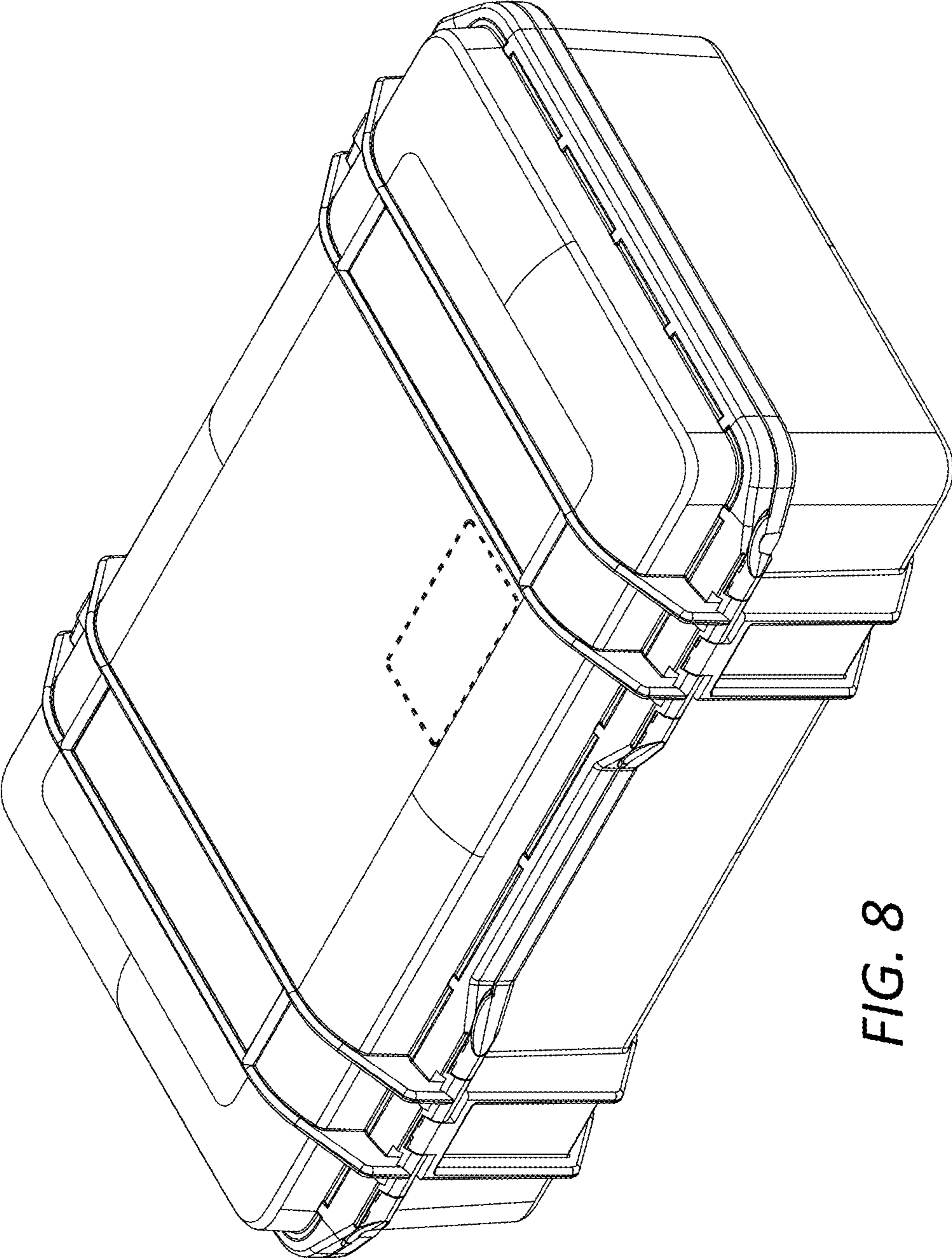


FIG. 8

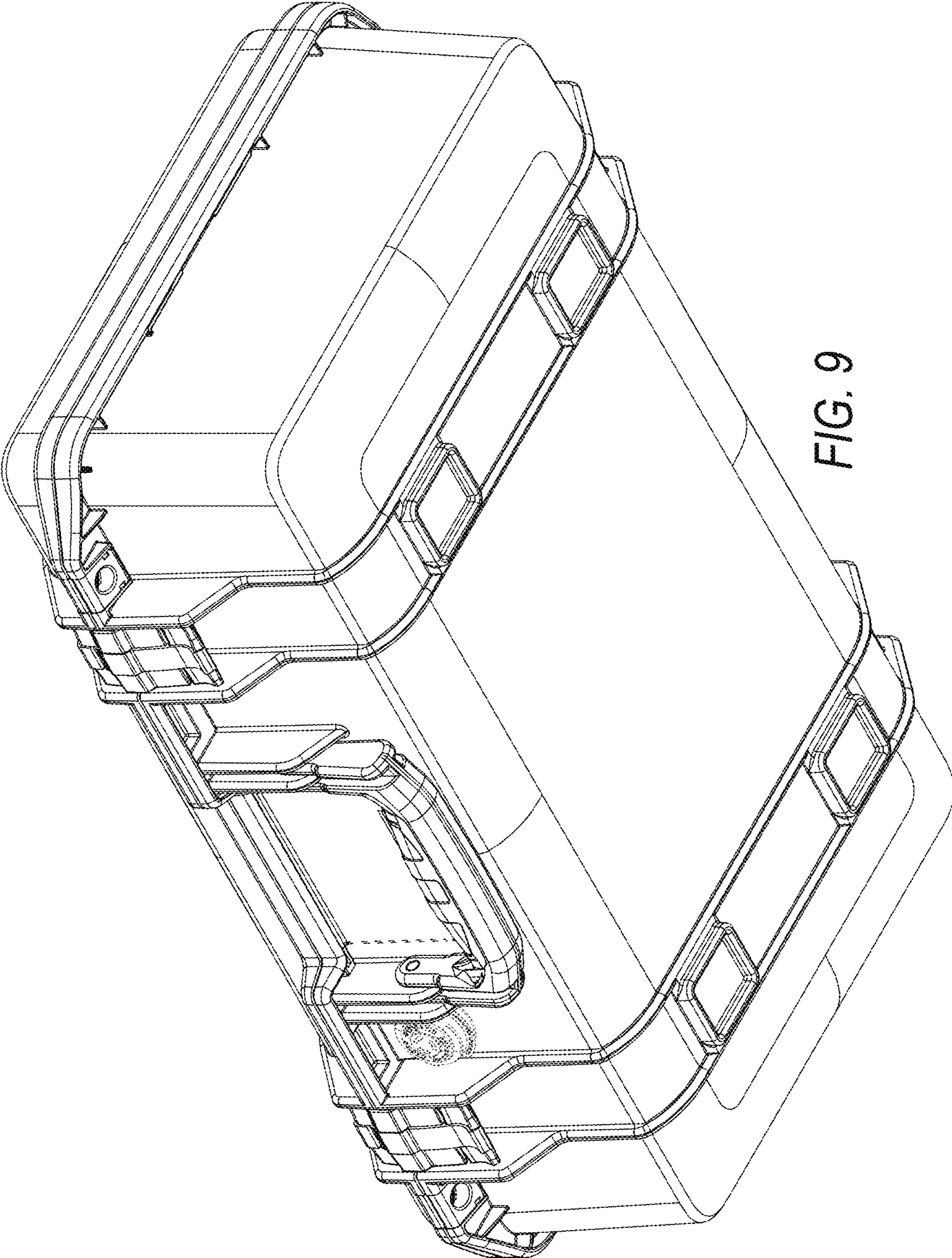


FIG. 9

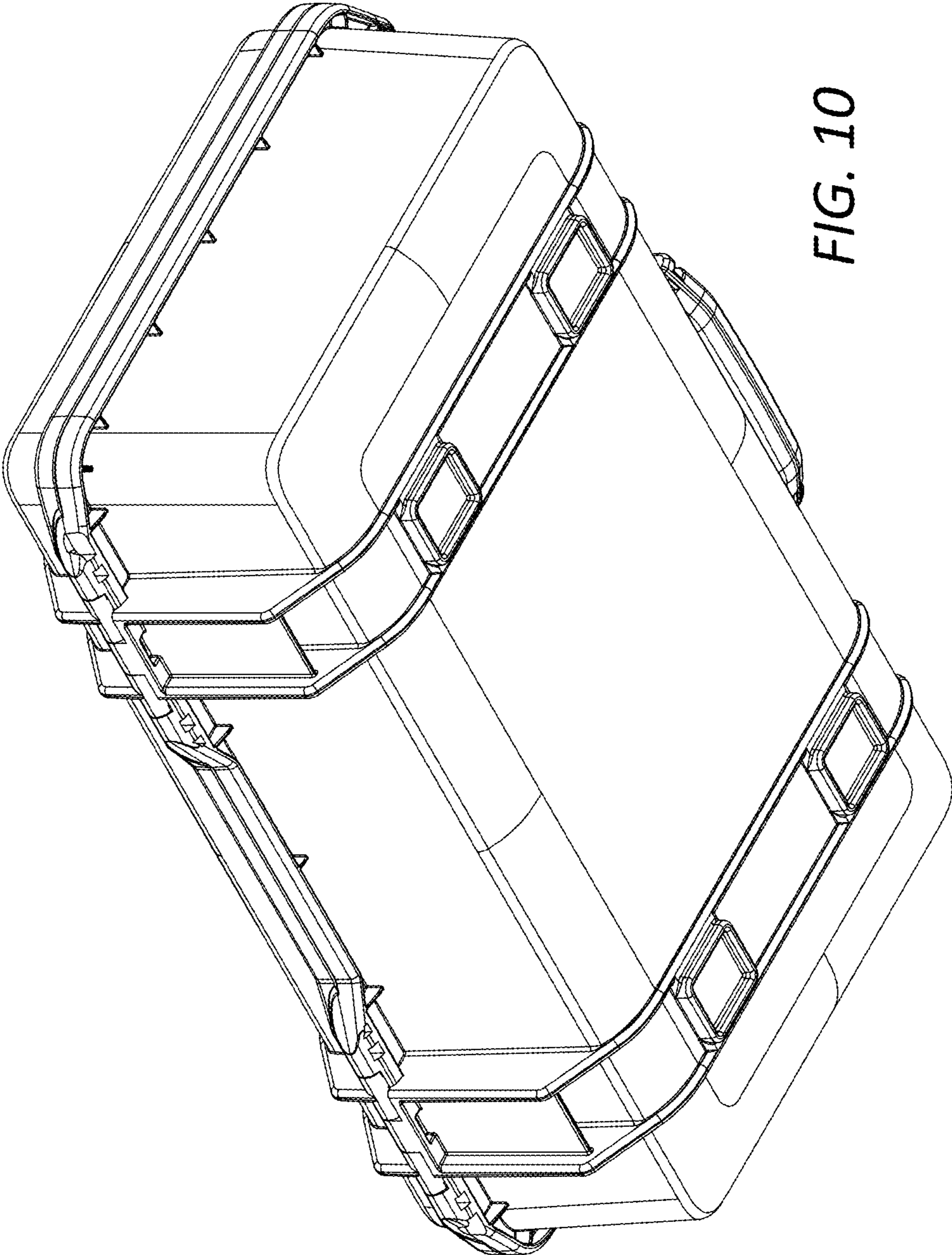


FIG. 10